

cod.DW106E

data:07/03/2023

**Catalogo ricambi
Spare parts catalog
Catalogue de pièces détachées
Ersatzteilkatalog
Catálogo de repuestos
Catálogo de peças de reposição
Каталог запасных частей**

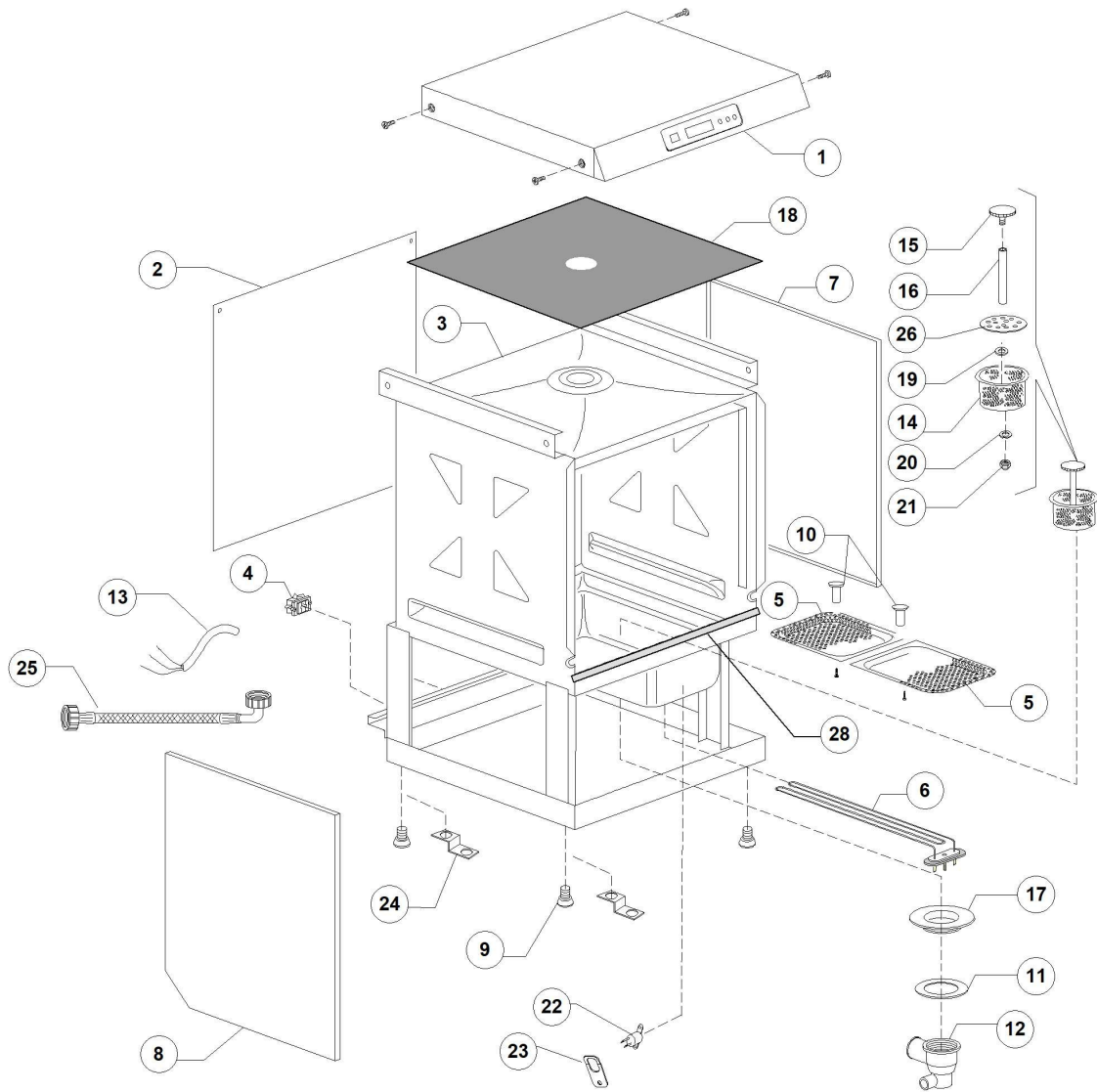
OPTIMA 400 230V 50HZ 2014



S/N:DWM1013861



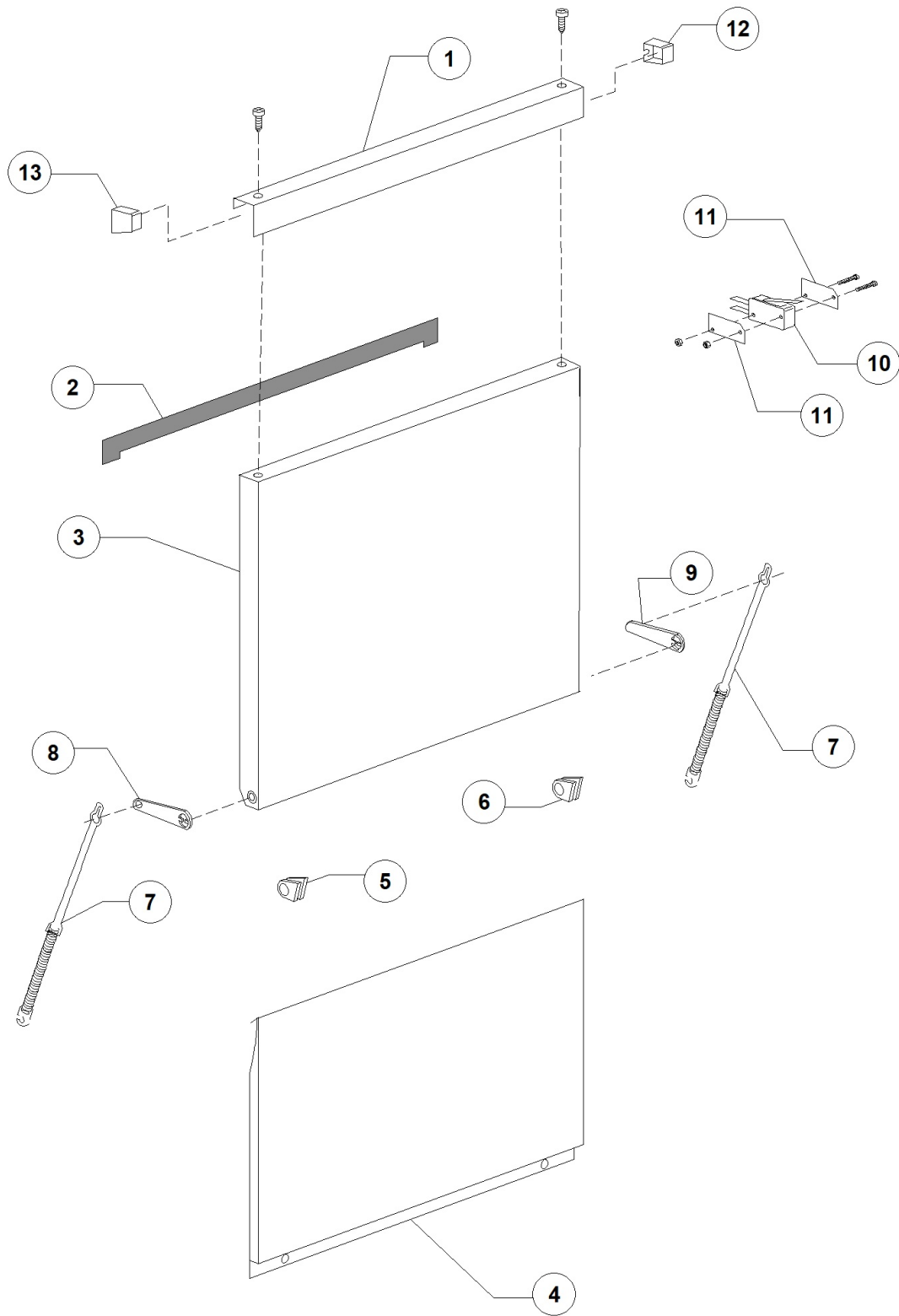
OPTIMA 400 230V 50HZ 2014 - DWM1013861 - General body parts - DW106E



OPTIMA 400 230V 50HZ 2014 - DWM1013861 - General body parts - DW106E

Pos.	Code	Descrizione	Description
1	DW540212	COPERCHIO INCLINATO TOP 40	OBLIQUE COVER 40
2	DW540903	SCHIENALE TEKNO 4.0	BACK PANEL T4.0
3	DW540908	CARROZZERIA TEKNO 4.0	BODYWORK TEKNO 4.0
4	DW15065/A	FISSACAVO PER VITI AUTOF (NR.2x11007)	CABLE-FASTENER WITH SCREW
5	DW540028	SEMIFILTRO SUPERF.SENZA.BUGNA PERT4	REAR SURFACE HALF-FILTER
6	DW540401	RESIST.1100/1200W 230/240V 1	1100/1200W 230/240V 1 HEATING ELEM.
7	DW540900	FIANCO DX TEKNO 4.0	RIGHT SIDE T4.0
8	DW540901	FIANCO SX TEKNO 4.0	LEFT SIDE T4.0
9	DW10850	PIEDINO REG. PLASTICA NERO BASSO	LOW ADJUSTABLE FOOT (MINIMUM 4 PCS)
10	DW540039	MANIGLIA PER FILTRO SUPERFICE T.4	SURFACE FILTER HANDLE
11	DW80208	GUARNIZIONE RAMPA LP2 DIAM.95X75X3	RISER GASKET D.95X75X3 (MIN. 2 PCS)
12	DW500606	POZZETTO CON SCARICO LATERALE DX	RIGHT SIDE SCRAP TRAY
13	DW15104/B	CAVO ALIMENTAZIONE 3X4X2500 NEOPRE	CABLE 3X4X2500 NEOPRE
14	DW540080	FILTRO ASPIR.POMPA T.4 ACQ.PUL.	SUCTION FILTER
15	DW11101/A	VITE GRUP.RISC. D.30X11 (M8) INOX	GROUP FASTENING S/S SCREW D.30X11 M8
16	DW540086	MANICO FILTRO ASP.POMPA T.4 ACQ.PUL	FILTER HANDLE
17	DW540088	GHIERA PORTA FILTRO ASP.POM.T.4 AP	RING NUT FOR PUMP SUCTION FILTER HOLDER
18	DW540215	COIBENTE TETTO TOP40	COVER INSULATION
19	DW111178	RONDELLA 6X18 PIANA INOX UNI6593 DIN9021	6X18 S/S PLANE WASHER UNI6593 DIN9021
20	DW11604	RONDELLA GROWER M6 INOX UNI1751 DIN127	M6 S/S GROWER WASHER UNI1751 DIN127
21	DW11709	DADO M6 CIECO CALOTTA SEMISF.A2 DIN1587	S/S CAP NUT M6 DIN1587
22	DW15552/B	TERMOST. SICUR.VASCA KLIXON SENZA STAFFA	KLIXON TANK SAFETY THERMOSTAT
23	DW15552/A	STAFFETTA PER TERMOSTATO VASCA KLIXON	THERMOSTAT SUPPORT
25	DW10726	CANNA CARICO PICC. WRAS m1,5x3/4 EN61770	LOAD PIPE WRAS M1,5x3/4 EN61770
28	DW560013	GUARNIZIONE SOTTOPI.T.6 PROFILO B.13	PROFILE FOR LOWER DOOR SEAL

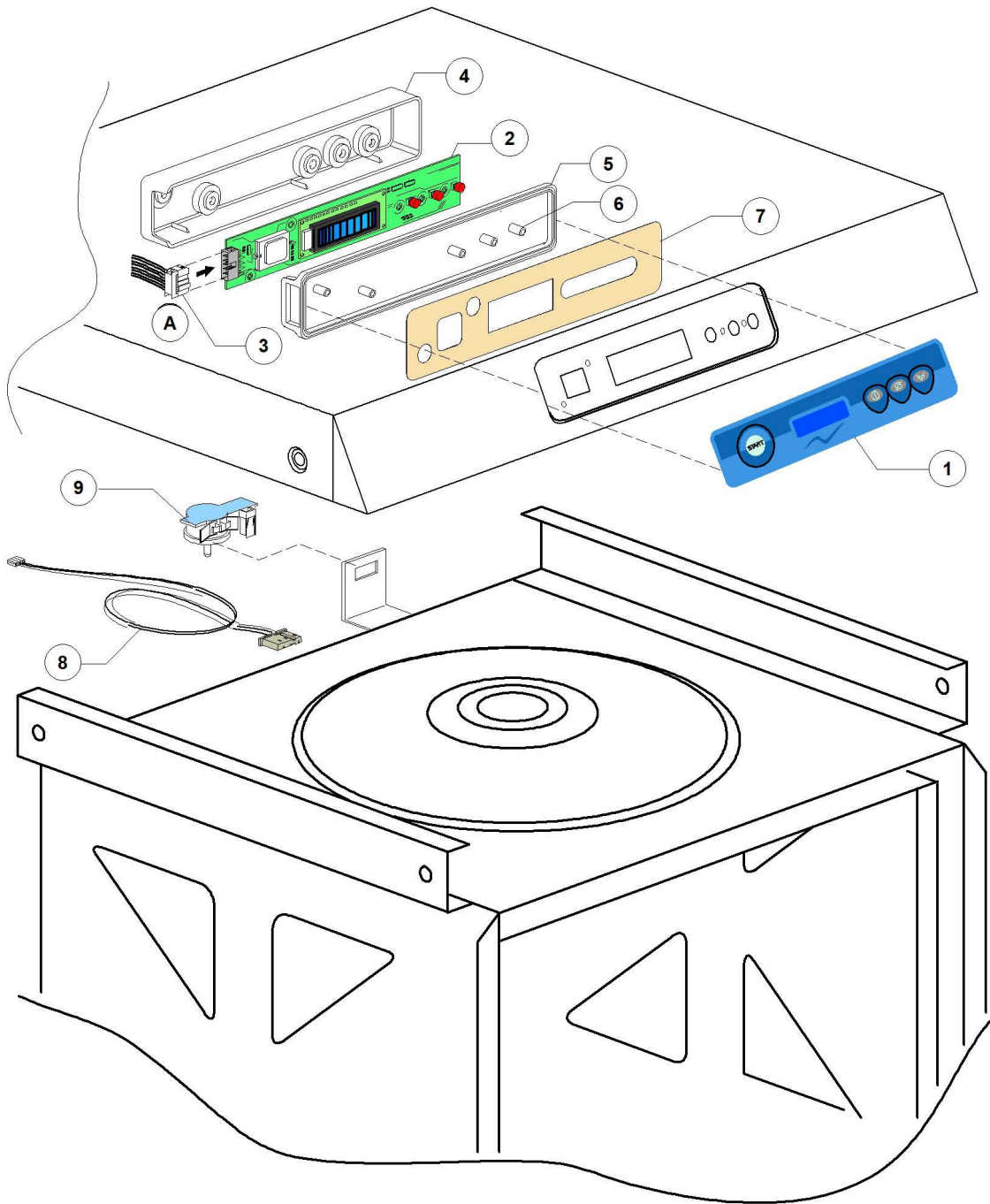
OPTIMA 400 230V 50HZ 2014 - DWM1013861 - Door - DW106E



OPTIMA 400 230V 50HZ 2014 - DWM1013861 - Door - DW106E

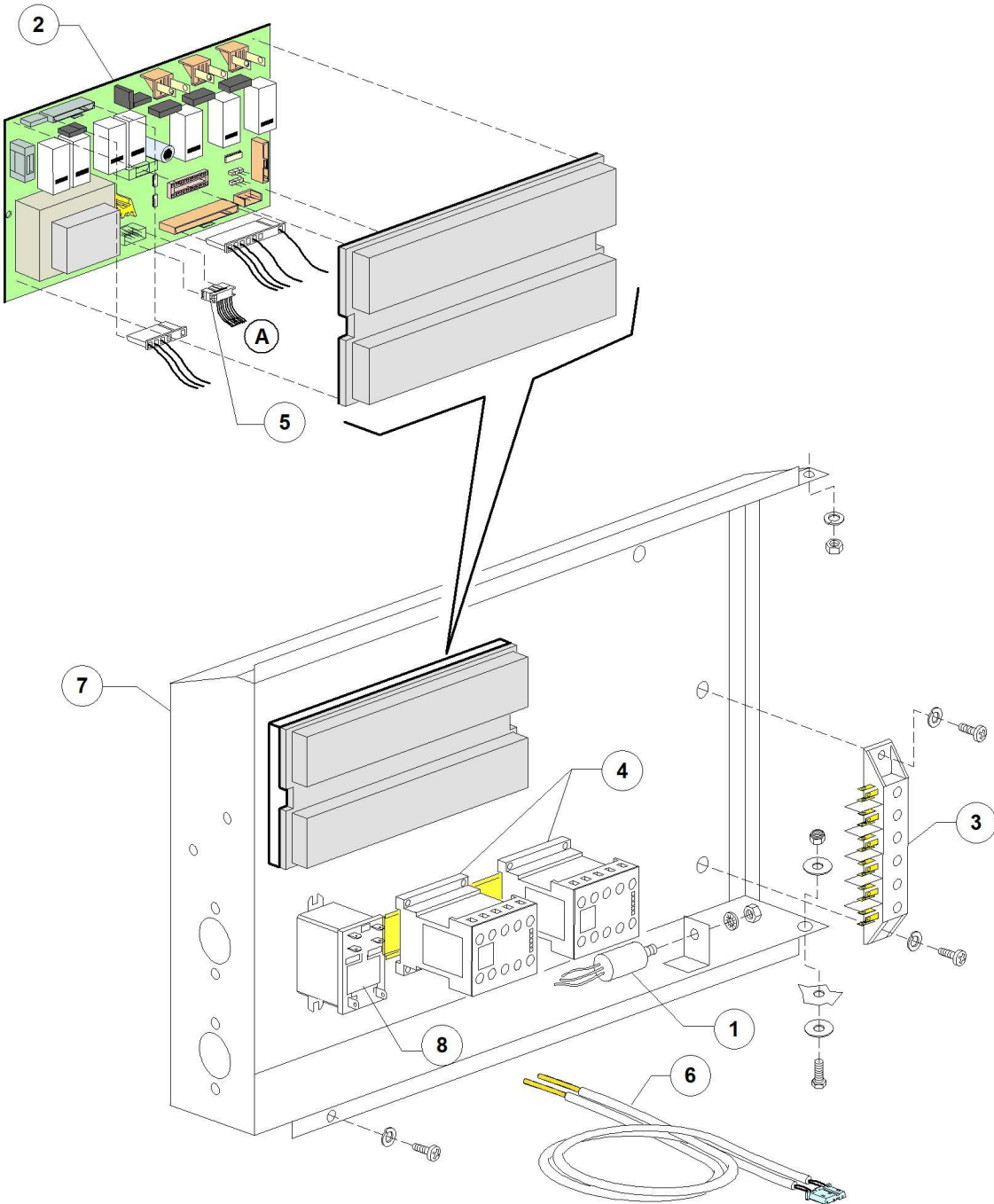
Pos.	Code	Descrizione	Description
1	DW540959/D	MANIGLIA 400 DIHR/2014	S/S HANDLE 400 DIHR/2014
2	DW560021	PROFILO GUARNIZIONE PORTA T.6 E T.4	PROFILE FOR DOOR SEAL
3	DW540958	PORTA (SENZA MANIGLIA) T.4	DOOR T4.0
4	DW540902	SOTTOPORTA T4 SENZA FORI SERB.NEUTR	FRONT PANEL T4
5	DW540035	#BOCCOLA ASSE CERNIERA DX T.4	R.AXLE BUSH FOR DOOR HINGE
6	DW540036	#BOCCOLA ASSE CERNIERA SX T.4	L.AXLE BUSH FOR DOOR HINGE
7	DW560003	MOLLA SPORTELLO TEK6 FILO 1,7 DE12	DOOR SPRING
8	DW540629	BRACETTO DI MANOVRA SX PORTA T.4	LEFT ARM FOR DOOR
9	DW540624	BRACETTO DI MANOVRA DX PORTA T.4	RIGHT ARM FOR DOOR
10	DW10704	MICRO 16A SICUREZZA PORTA	DOOR MICROSWITCH
11	DW10770	ISOLANTE PER MICROSWITCH	DOOR MICROSWITCH INSULATION (MIN. 3PCS)

OPTIMA 400 230V 50HZ 2014 - DWM1013861 - Control panel and switches - DW106E



OPTIMA 400 230V 50HZ 2014 - DWM1013861 - Control panel and switches - DW106E

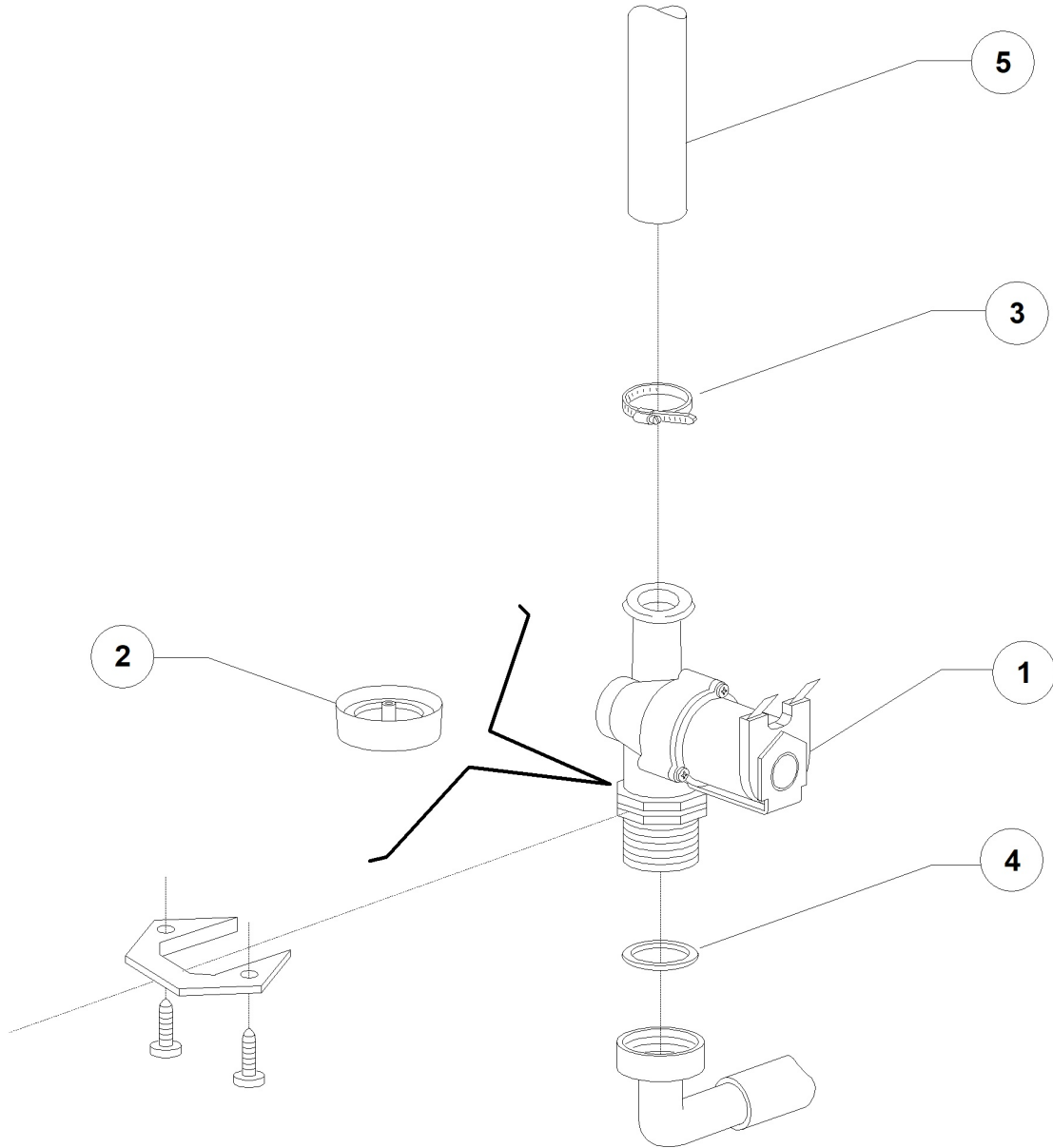
Pos.	Code	Descrizione	Description
1	DW560048	#MOSTRINA TOP DIHR	CONTROL OVERLAY DIHR
2	DW560051	#TASTIERA CON DISPLAY 122X32 VERS.09	KEY-BOARD WITH DISPLAY 122X32 VERS.09
3	DW50652	"PIATTINA MULTIFILO "F16p" L3000"	RIBBON CABLE F16p L3000
4	DW560051/A	#SCATOLA PROT. SCHEDA 560051 (245X46X19)	ELECTRONIC BOARD PROTECTION BOX 560051
5	DW560051/B	#GUARNIZIONE PER SCATOLA 560051/A	PROTECTION BOX GASKET DW560051/A
6	DW50561	DIST. SCHEDE ELETTR. 2009 D.8X10	MAINBOARD SPACER D.8X10
7	DW560053	PROTEZ. ISOLANTE ADES. PULSAN. TOP	PUSH BUTTON PANEL INSULATING PROTECTION
8	DW6106504	CABLAGGIO PRESSOSTATO LINEARE	CABLING LINEAR PRESSURE-SWITCH
9	DW540205	PRESSOSTATO LINEARE 0-30 mbar	PRESSURE SWITCH 0-30



OPTIMA 400 230V 50HZ 2014 - DWM1013861 - Electric control components - DW106E

Pos.	Code	Descrizione	Description
1	DW15149	FILTRO ANTIDIS.F3 (CX0.47MF)	LOW NOISE FILTER F3 (CX0.47MF)
2	DW540201	SCHEDA MADRE TOP40/2010 (BL)	MAINBOARD TOP40/2010 (BL)
3	DW500551	MORSETTIERA 6 POLI KL116/6	TERMINAL BOARD 6 POLES FV122 RED
4	DW15086	TELERUTTORE 230V 50/60Hz 4C AC3(6A)	CONTACTOR 230V 50/60Hz 4C AC3(6A)
5	DW50652	"PIATTINA MULTIFILO "F16p" L3000"	RIBBON CABLE F16p L3000
6	DW50562	SONDA TERMOSTATO SCHEDA DIHRECO2	THERMOSTAT PROBE DIHRECO2
7	DW540204	PORTACOMPONENTI ELETTR. TK4/2010 (N)	
8	DW560304	#RELE'FINDER 230V 50Hz 30A	RELAY 230V 50Hz 30A

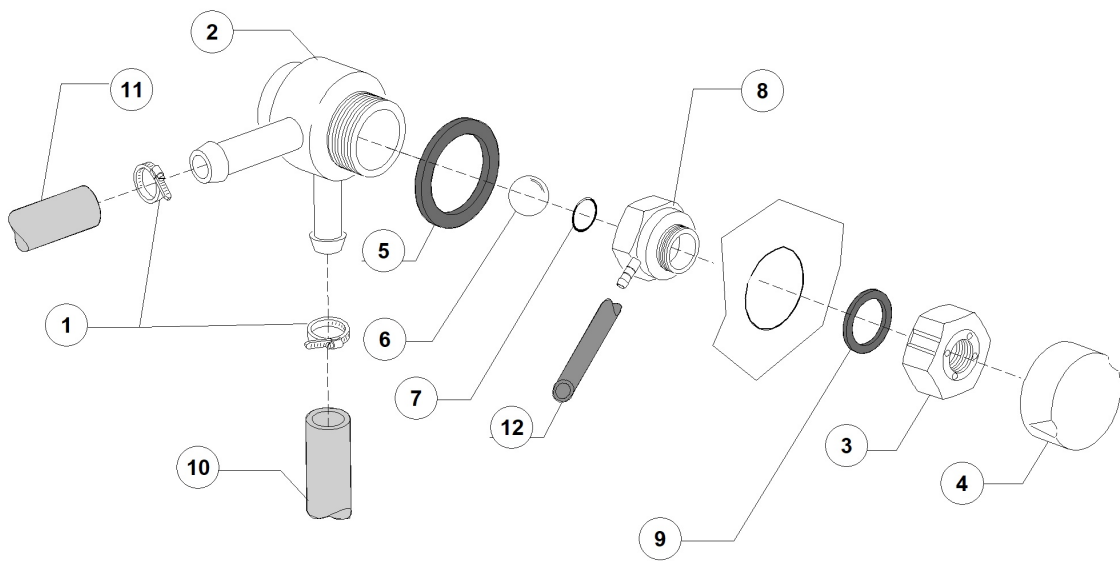
OPTIMA 400 230V 50HZ 2014 - DWM1013861 - Solenoid valve group - DW106E



OPTIMA 400 230V 50HZ 2014 - DWM1013861 - Solenoid valve group - DW106E

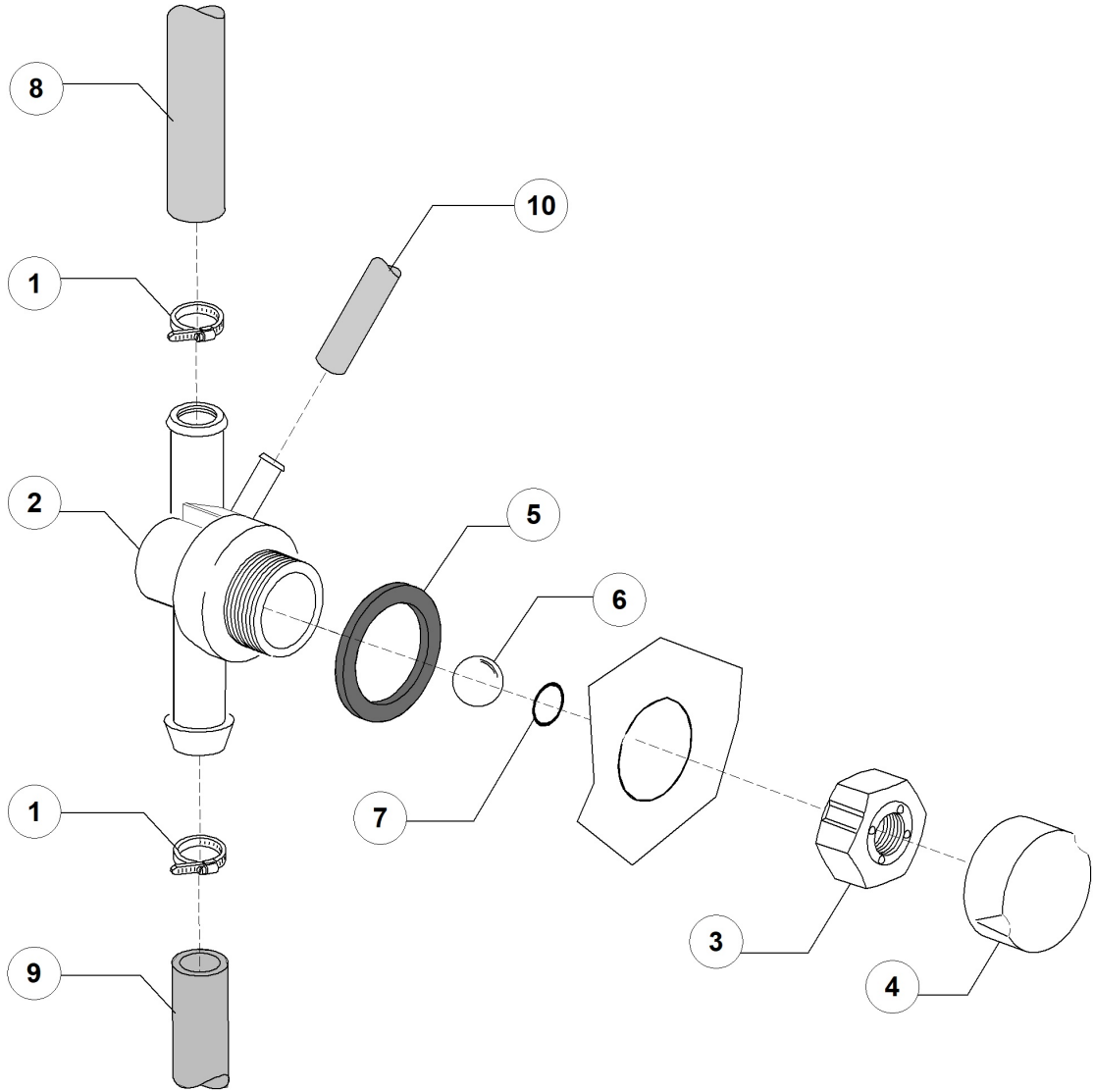
Pos.	Code	Descrizione	Description
1	DW10703	ELETTROV. SING. H2O 230V DIS.LS036	SINGLE SOLENOID VALVE H2O 230V
3	DW11807	FASCETTE AISI 430 12/22	CLAMP 12/22 AISI 430
4	DW13307	GUARNIZ. 3/4 CARICO H2O DIS.LS061	GUARNIZ. 3/4 CARICO H2O DIS.LS061
5	DW14506	TUBO GOMMA DIAM 9,5X16 EPDM	9,5X16 EPDM RUBBER HOSE
5	DW2907351	TUBO GOMMA EPDM 11,5X19	11,5X19 EPDM RUBBER HOSE

OPTIMA 400 230V 50HZ 2014 - DWM1013861 - DVGW valve - DW106E



OPTIMA 400 230V 50HZ 2014 - DWM1013861 - DVGW valve - DW106E

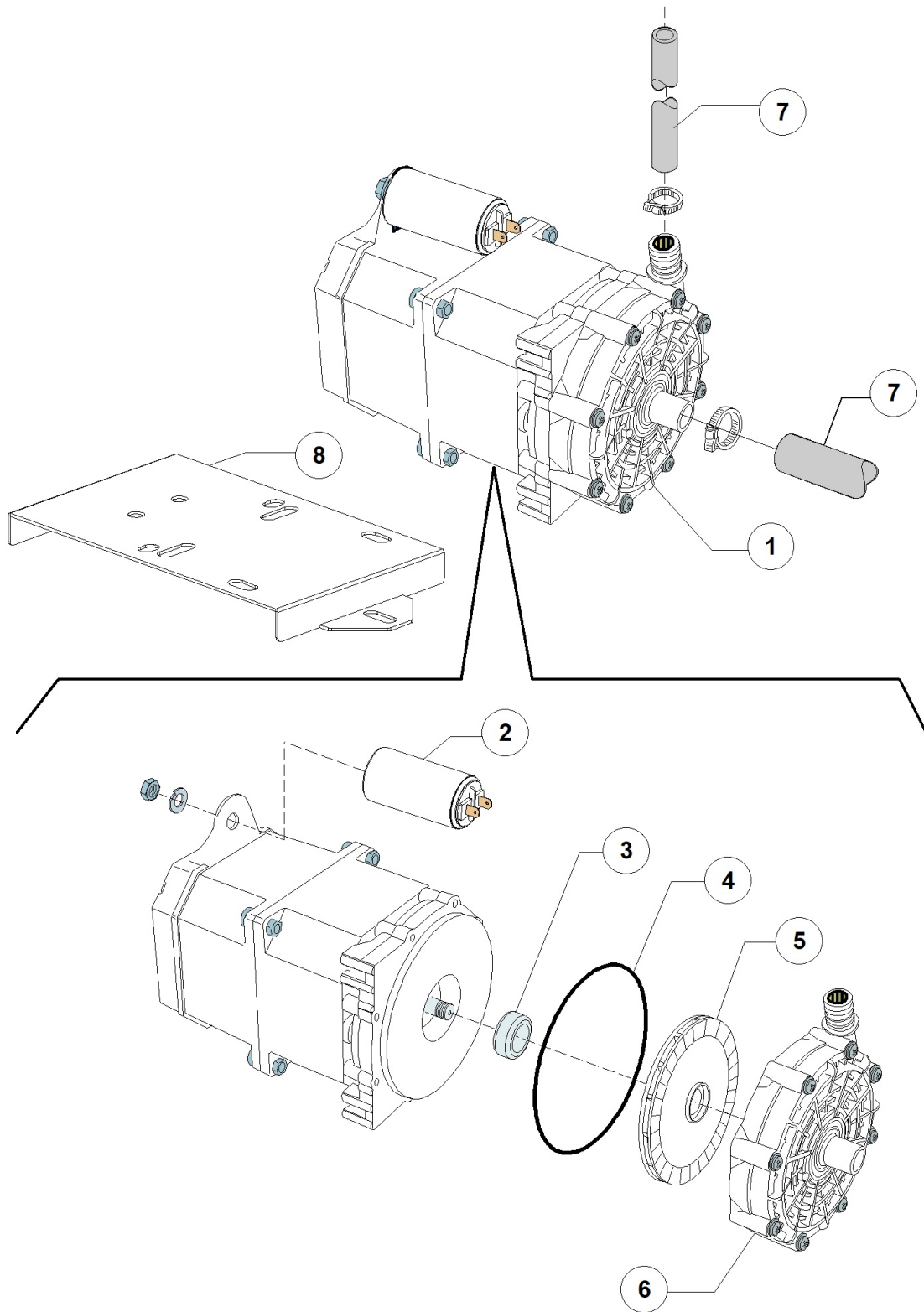
Pos.	Code	Descrizione	Description
1	DW11807	FASCETTE AISI 430 12/22	CLAMP 12/22 AISI 430
2	DW15280	CORPO CENTRALE VALVOLA DVGW 07	DRAIN VALVE CENTER BODY
3	DW15281	DADO VALVOLA DVGW 07	VALVE NUT
4	DW15282	COPRI DADO VALVOLA DVGW 07	VALVE NUT COVER
5	DW15283	GUARNIZIONE VALVOLA DVGW 07	VALVE GASKET
6	DW15284	"SFERA 5/8" VALVOLA DVGW 07"	"5/8" BALL FOR DVGW VALVE 07"
7	DW15285	GUARNIZIONE OR 115 KTW VALVOLA DVGW 07	O-RING 115 KTW
8	DW15287	PROLUNGA INNESTO SFIATO DVGW 07	DVGW VALVE EXTENSION 2007
9	DW13027	GUARNIZIONE OR 3118	O-RING 3118
10	DW2907351	TUBO GOMMA EPDM 11,5X19	11,5X19 EPDM RUBBER HOSE
11	DW14506	TUBO GOMMA DIAM 9,5X16 EPDM	9,5X16 EPDM RUBBER HOSE
12	DW10200293	TUBO EPDM 8X15 PER DOSATORE	8X15 EPDM PIPE



OPTIMA 400 230V 50HZ 2014 - DWM1013861 - No return valve / drain - DW106E

Pos.	Code	Descrizione	Description
1	DW11836	FASCETTA INOX 20/32	S/S CLAMP 20/32
2	DW15288	COLLETTORE SCARICO TOP40-50 DVGW 07	DRAIN VALVE CENTER BODY
3	DW15281	DADO VALVOLA DVGW 07	VALVE NUT
4	DW15282	COPRI DADO VALVOLA DVGW 07	VALVE NUT COVER
5	DW15283	GUARNIZIONE VALVOLA DVGW 07	VALVE GASKET
6	DW15284	"SFERA 5/8" VALVOLA DVGW 07"	"5/8" BALL FOR DVGW VALVE 07"
7	DW15285	GUARNIZIONE OR 115 KTW VALVOLA DVGW 07	O-RING 115 KTW
8	DW540206	MANICOTTO EPDM SCARICO TOP40-50	DRAIN PIPE COUPLING
9	DW14510	TUBO DIAM.19X26 TRASPARENTE SCARICO TOP	TRANSPARENT HOSE D.19X26 TOP DRAIN
10	DW14506	TUBO GOMMA DIAM 9,5X16 EPDM	9,5X16 EPDM RUBBER HOSE

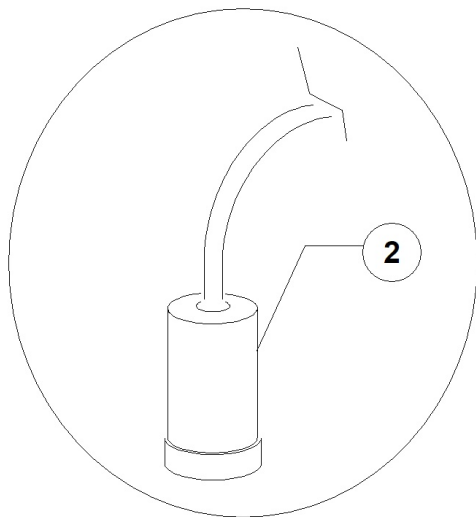
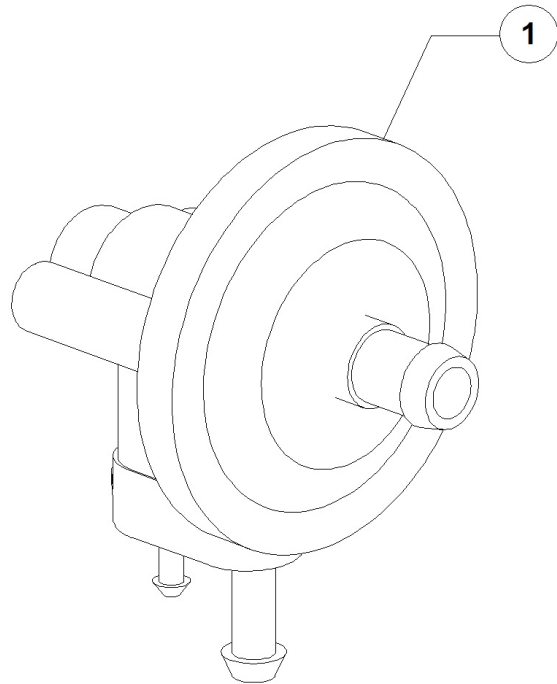
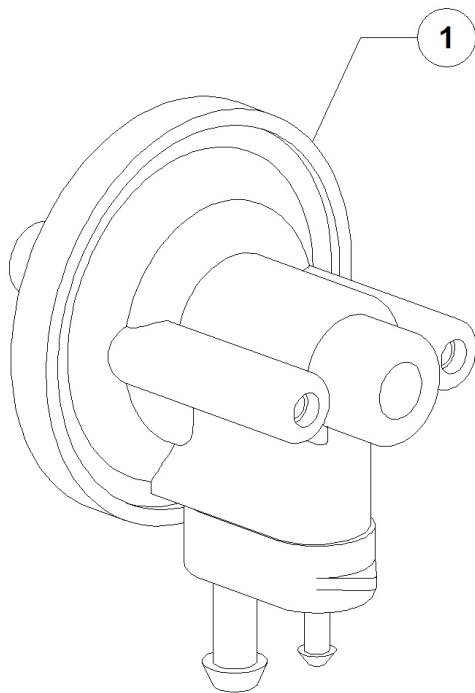
OPTIMA 400 230V 50HZ 2014 - DWM1013861 - Rinsing pump / Booster pump - DW106E



OPTIMA 400 230V 50HZ 2014 - DWM1013861 - Rinsing pump / Booster pump - DW106E

Pos.	Code	Descrizione	Description
1	DW15100/DO	POMPA RISCIAQUO 220-240/50 (PLUS)	RINSE PUMP 220-240V/50HZ (PLUS)
2	DW16043	#CONDENSATORE POMPA uf8	uf8 CONDENSER
3	DW15100/S	TENUTE ROTANTI EPDM(15100/DO)	EPDM ROTARY SEAL (15100/DO)
4	DW15100/T	OR EPDM(15100/DO)	O-RING EPDM (15100/DO)
5	DW15100/U	#GIRANTE 90X2.5 (15100/DO)	PUMP ROTOR 90X2.5 (DW15100/DO)
6	DW15100/V	#CHIOCCIOLA ANTE. (15100/DO)	SCROLL FOR PUMP 15100/DO
7	DW2907351	TUBO GOMMA EPDM 11,5X19	11,5X19 EPDM RUBBER HOSE

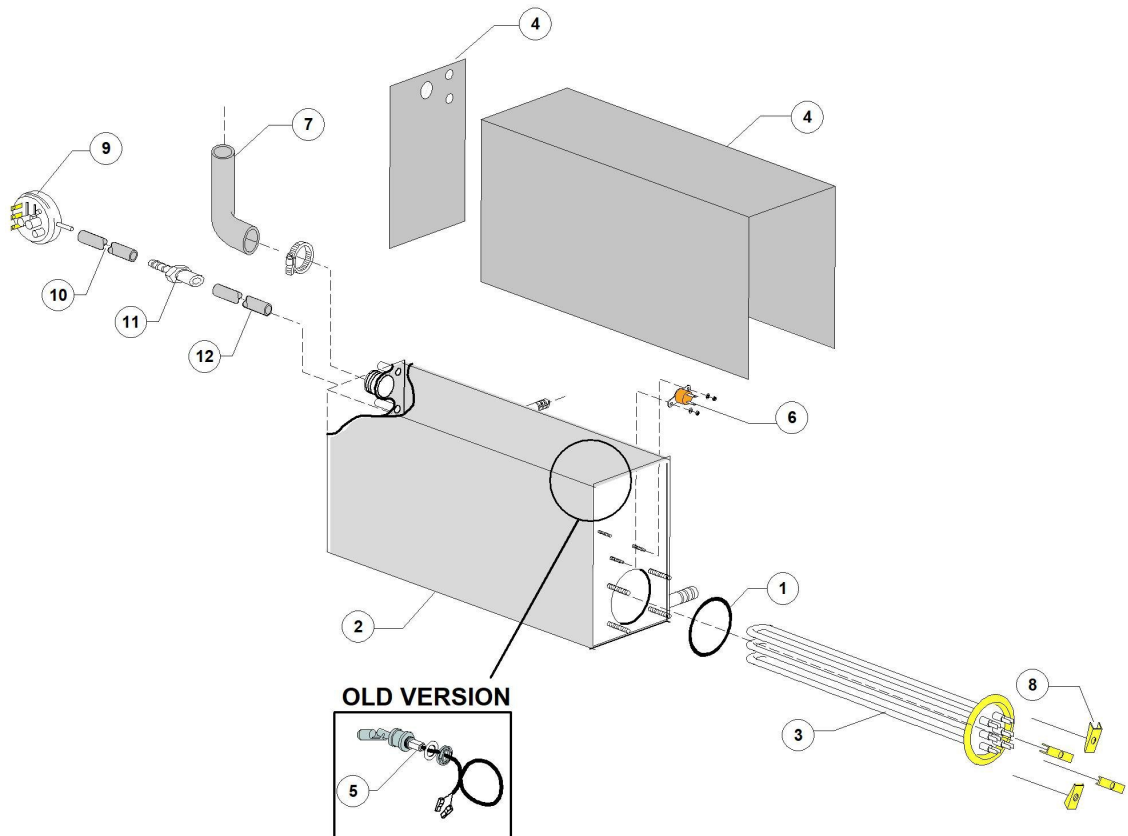
OPTIMA 400 230V 50HZ 2014 - DWM1013861 - Rinse aid dispenser group - DW106E



OPTIMA 400 230V 50HZ 2014 - DWM1013861 - Rinse aid dispenser group - DW106E

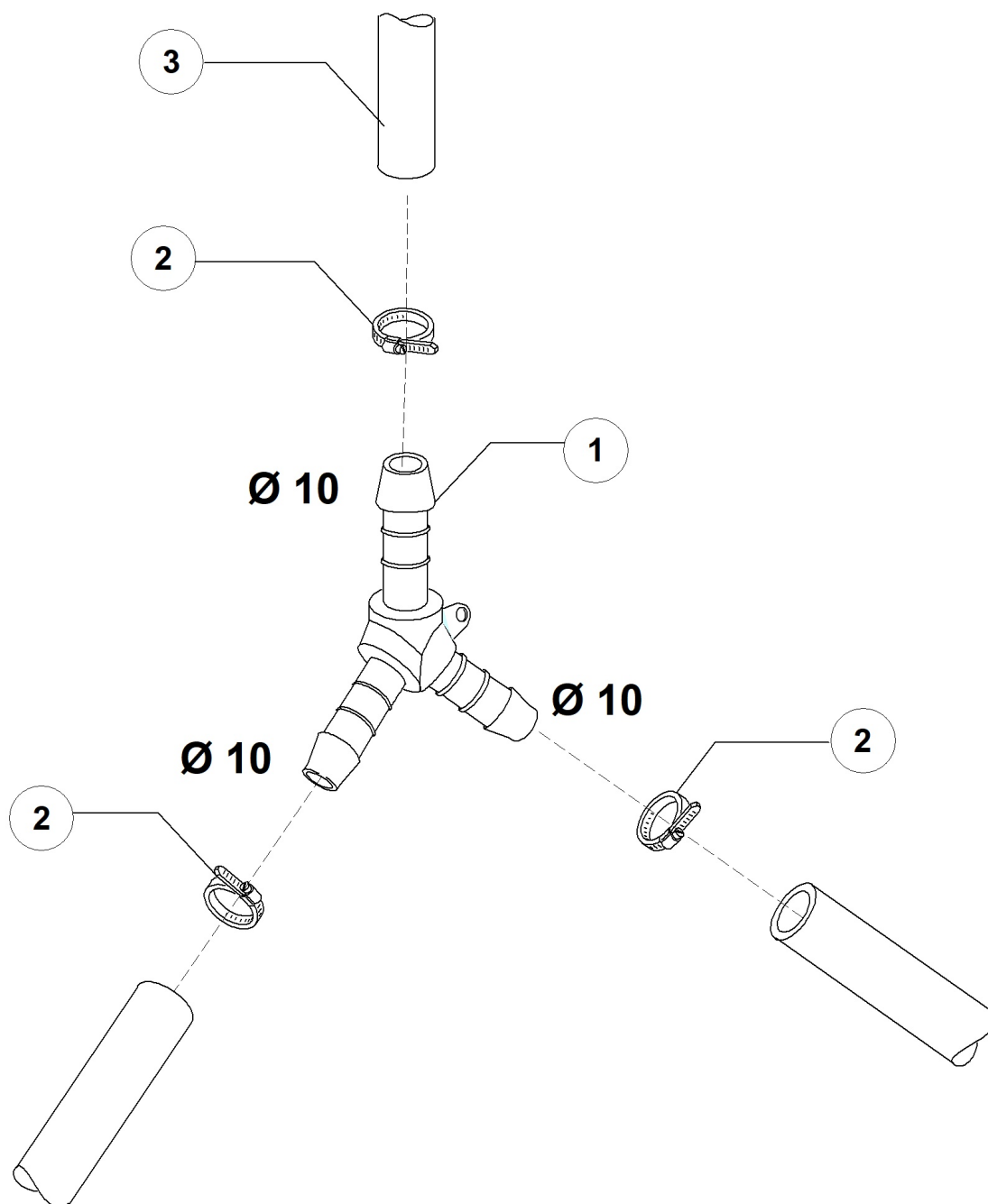
Pos.	Code	Descrizione	Description
1	DW10799/G	DOSATORE BRILLANTANTE	RINSE AID DOSING PUMP
2	DW15058	FILTRINO CON PESO ASPIR. DET/BRIL	SMALL FILTER (MIN. 3 PCS)

OPTIMA 400 230V 50HZ 2014 - DWM1013861 - Boiler group - DW106E



OPTIMA 400 230V 50HZ 2014 - DWM1013861 - Boiler group - DW106E

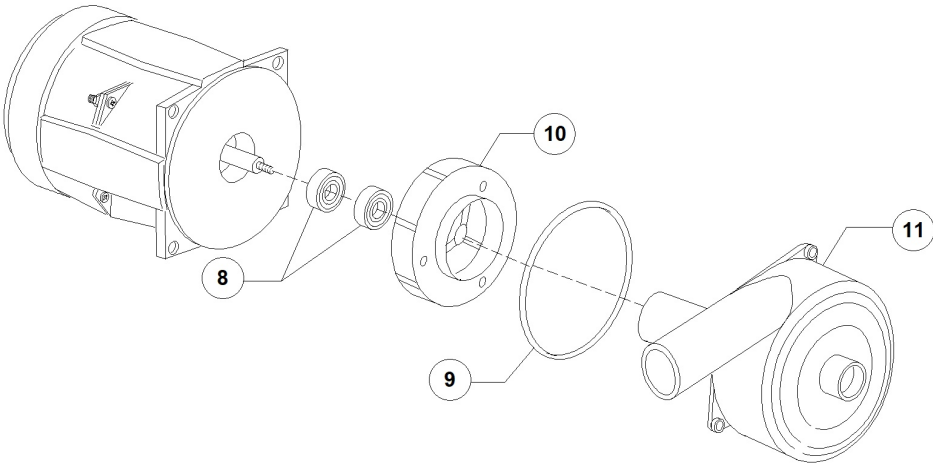
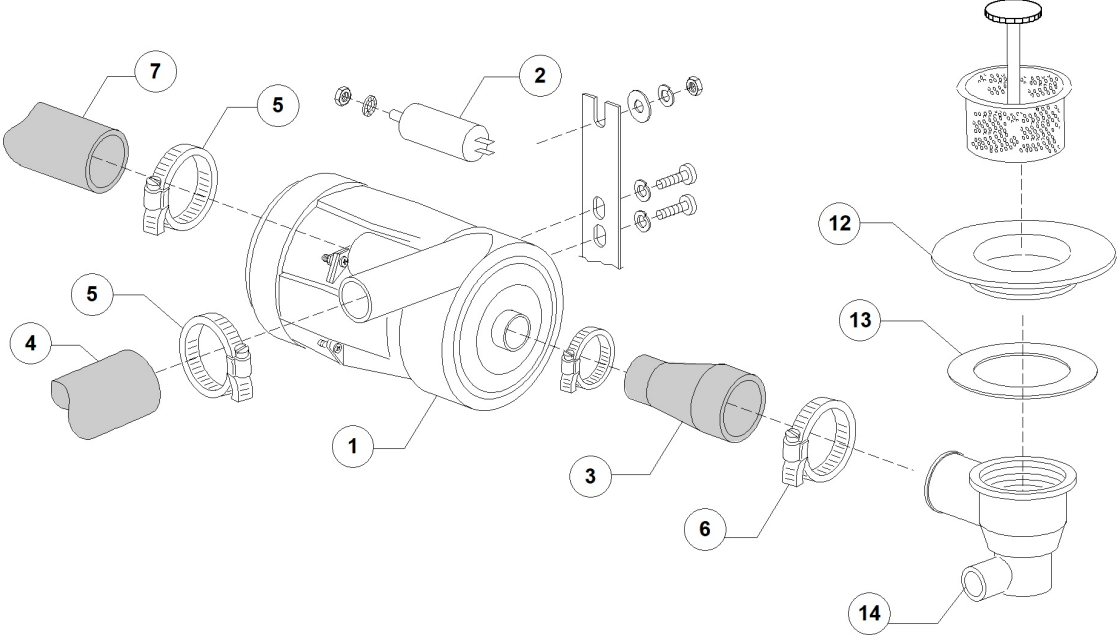
Pos.	Code	Descrizione	Description
1	DW13005	GUARNIZIONE OR 151 NBR	O-RING 151 NBR (MIN. 5 PCS)
2	DW540217	#BOILER RETT.390X100X180 TOP 40(AISI304)	RECT.BOILER 390X100X180 TOP40 (AISI 304)
3	DW15089	RESIST.4500/4900W 230/240V 3	4500/4900W 230/240V 3 HEATING ELEM.
4	DW540214	#KIT COIBENTANTE PER BOILER TOP40	KIT INSULATION FOR BOILER
6	DW15550	#THERMOSTATO SICUR. CONTATTO KLIXON	KLIXON SAFETY THERMOSTAT
7	DW18044	TUBO DIAM.28 EPDM LAV.SUP. STAR	D.28 EPDM PIPE
8	DW16045	STAFFE FISSAGGIO RESIST.FORO 6.3	HEATING ELEMENT MOUNTING BRACKET D.6,3
9	DW10706/A	"PRESSOSTATO "EL." 46-26"	PRESSURE SWITCH 46-26
10	DW14508	TUBO EPDM 4.5X9 PER PRESSOSTATO	EPDM HOSE 4.5X9 FOR PRESSURE SWITCH
10	DW14509	TUBO PRESSOSTATO 5X9	5X9 PRESSOSTAT HOSE
11	DW12553	#PORTAGOMMA INOX D8-D6.5 (TOP)	
12	DW2907356	TUBO PYTHON NV10 8X17	



OPTIMA 400 230V 50HZ 2014 - DWM1013861 - 3 ways connection - DW106E

Pos.	Code	Descrizione	Description
1	DW540090	DERIV. 3VIE Y D10 PLASTICA	PLASTIC Y-PIECE D.10
2	DW11800	FASCETTA AISI 430 8/16 LINER LUNGO	CLAMP 8/16 AISI 430
3	DW14506	TUBO GOMMA DIAM 9,5X16 EPDM	9,5X16 EPDM RUBBER HOSE

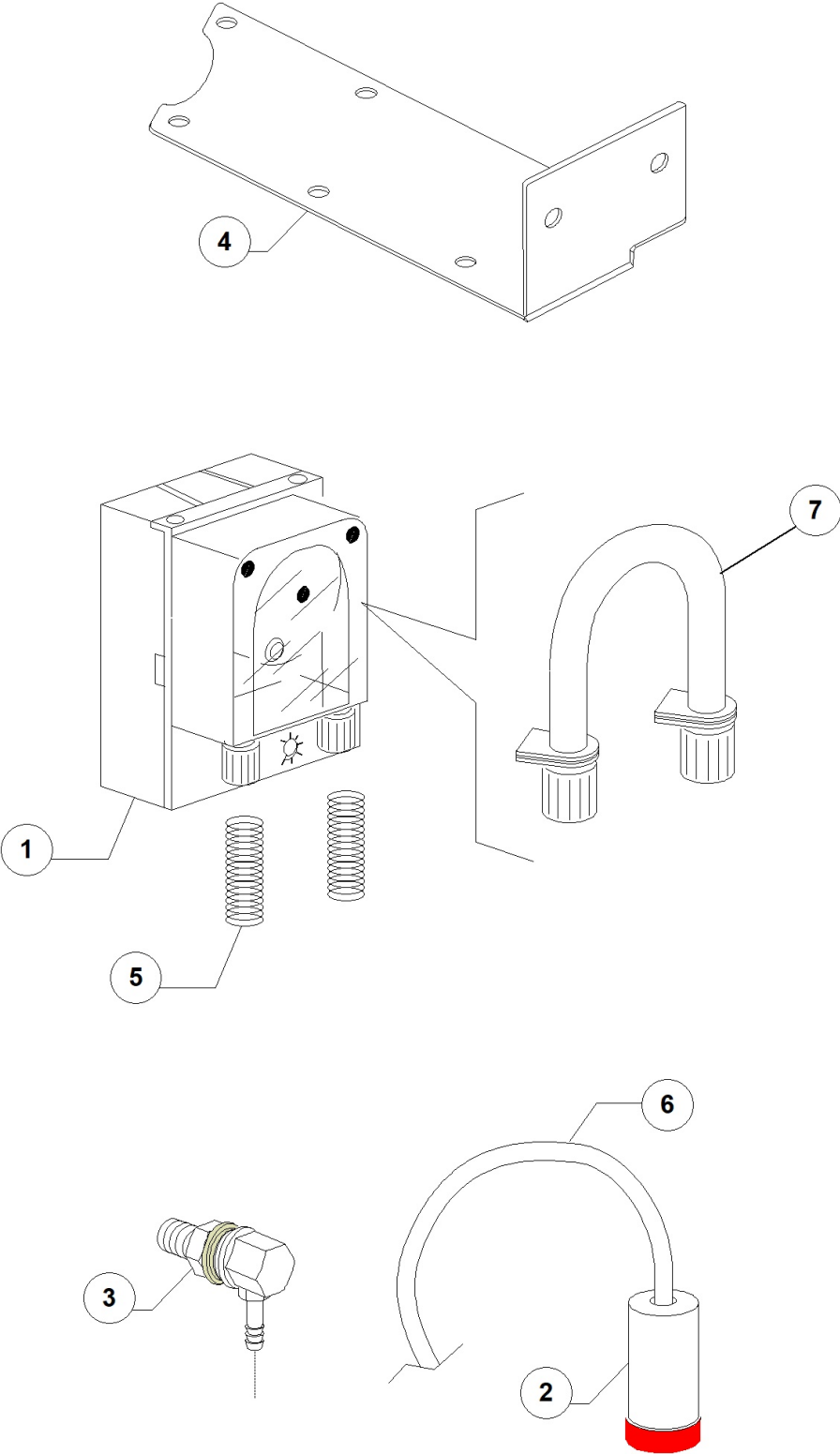
OPTIMA 400 230V 50HZ 2014 - DWM1013861 - Wash pump group - DW106E



OPTIMA 400 230V 50HZ 2014 - DWM1013861 - Wash pump group - DW106E

Pos.	Code	Descrizione	Description
1	DW18242	POMPA HP 0.30 230V 2VIE	PUMP HP0.30 230V
2	DW18043	#CONDENSATORE 10uf	10 UF CONDENSER
3	DW540005	MANICOTTO ASPIRAZ.POMPA TEK.4 85SH	SUCTION PIPE COUPLING
4	DW16168	TUBO EPDM MAND.LAV.INF. LINEAR LSG3	LOW EPDM DELIVERY WASH PIPE
5	DW11806	FASCETTE AISI 430 25/40	CLAMP 25/40 AISI 430
6	DW11824	FASCETTA AISI 430 50-70	CLAMP 50/70 AISI 430
7	DW540004	#TUBO MANDATA SUPER.EPDM RINF.TEK.4	TOP EPDM DELIVERY PIPE T4
8	DW15080	PREMISTOPA+CONTROFACCIA	ROTATING SEALS
9	DW18245	#OR 91x1,78 POMPA HP0.33	O-RING
10	DW18246	#GIRANTE POMPA HP0.33 D.80 A.	PUMP ROTOR
11	DW18247	#CHIOCCIOLA POMPA 0,33HP 2 VIE	SCROLL
12	DW540088	GHIERA PORTA FILTRO ASP.POM.T.4 AP	RING NUT FOR PUMP SUCTION FILTER HOLDER
13	DW80208	GUARNIZIONE RAMPA LP2 DIAM.95X75X3	RISER GASKET D.95X75X3 (MIN. 2 PCS)
14	DW500606	POZZETTO CON SCARICO LATERALE DX	RIGHT SIDE SCRAP TRAY

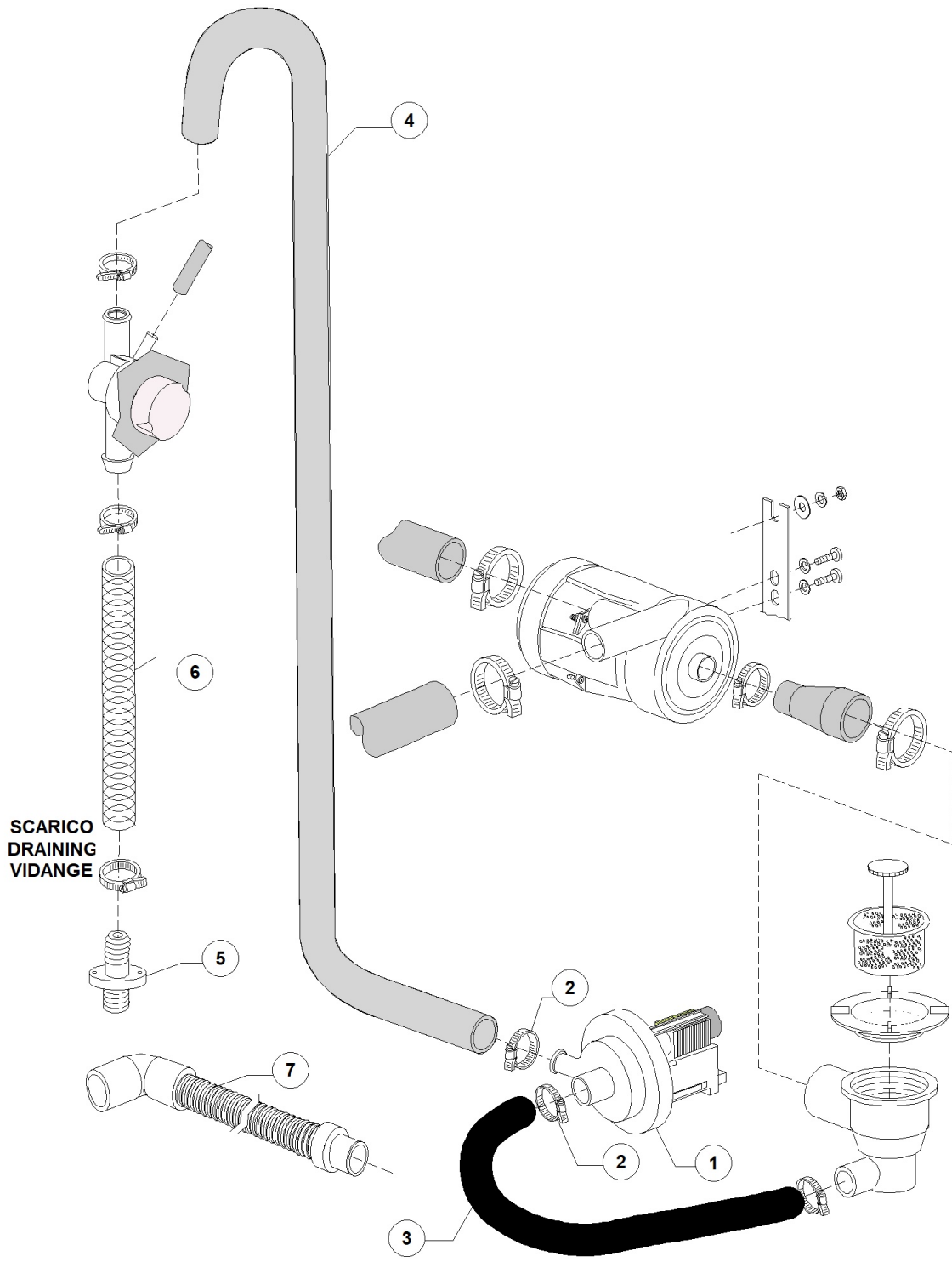
OPTIMA 400 230V 50HZ 2014 - DWM1013861 - Dosing detergent group - DW106E



OPTIMA 400 230V 50HZ 2014 - DWM1013861 - Dosing detergent group - DW106E

Pos.	Code	Descrizione	Description
1	DW15985	DOS.ELETT.DET REGOLABILE 0-3LT/H	DETERGENT DOSING PUMP 0-3L/H
2	DW15058	FILTRINO CON PESO ASPIR. DET/BRIL	SMALL FILTER (MIN. 3 PCS)
3	DW15123	INIETTORE DETER. A GOMITO INOX	S/S DOSING PUMP INJECTOR
5	DW10763	MOLLA D.05 INOX PER TUB. D.6x4 PVC	PIPE S/S SPRING
6	DW14503	TUBO PVC DIAM.6x4 TRASPARENTE	D.6X4 PVC TRANSPARENT HOSE
7	DW15108/E	TUBO TERMOPLASTICO DDE GERMAC	GERMAC DISPENSER THERMOPLASTIC HOSE
7	DW15185	TUBO MEMBRANA DDE SEKO DET.	SEKO DISPENSER THERMOPLASTIC HOSE
7	DW15297	TUBO MEMBRANA DDE SEKO 04/2013	SEKO DISPENSER THERMOPLASTIC HOSE
7	DW15297/T	TUBO TERMOPLASTICO DDE TECNOPRO	TECNOPRO DISPENSER THERMOPLASTIC HOSE
7	DW15985/A	#TUBO TERMOPLASTICO DDE MICRODOS	MICRODOS THERMOPLASTIC PIPE

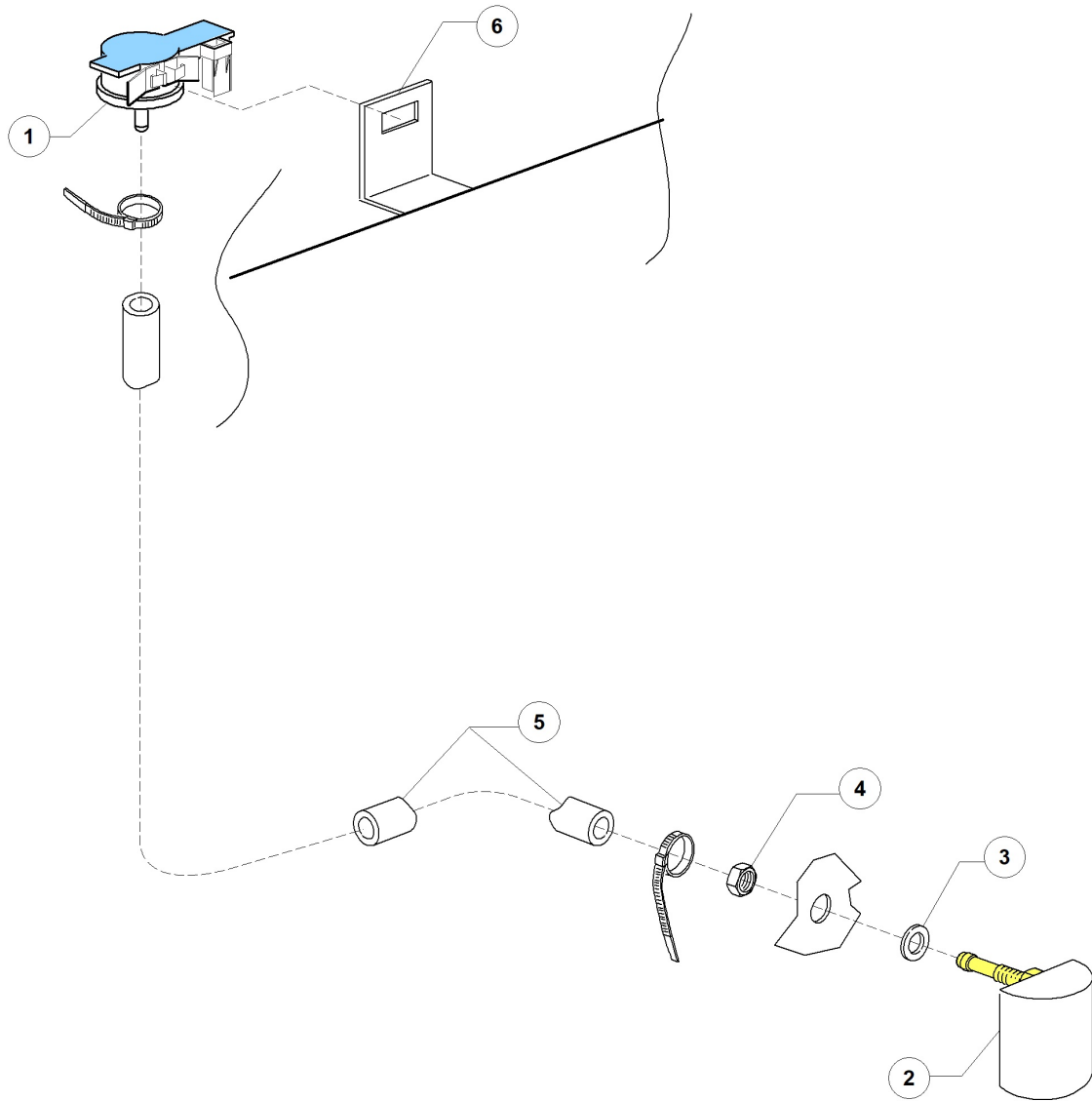
OPTIMA 400 230V 50HZ 2014 - DWM1013861 - Drain pump group - DW106E



OPTIMA 400 230V 50HZ 2014 - DWM1013861 - Drain pump group - DW106E

Pos.	Code	Descrizione	Description
1	DW15101	POMPA SCARICO SINCR. 220/240V 50Hz	DRAIN PUMP 220-240V/50HZ
2	DW11806	FASCETTE AISI 430 25/40	CLAMP 25/40 AISI 430
3	DW18044	TUBO DIAM.28 EPDM LAV.SUP. STAR	D.28 EPDM PIPE
4	DW540206	MANICOTTO EPDM SCARICO TOP40-50	DRAIN PIPE COUPLING
5	DW540207	RACCORDO SCARICO 20-28 TOP	PIPE FITTING 20-28 TOP
6	DW14510	TUBO DIAM.19X26 TRASPARENTE SCARICO TOP	TRANSPARENT HOSE D.19X26 TOP DRAIN
7	DW25031	CANNA SCARICO 1,5 MT 24-28 PIPA	DRAIN HOSE 1,5MT 24-28

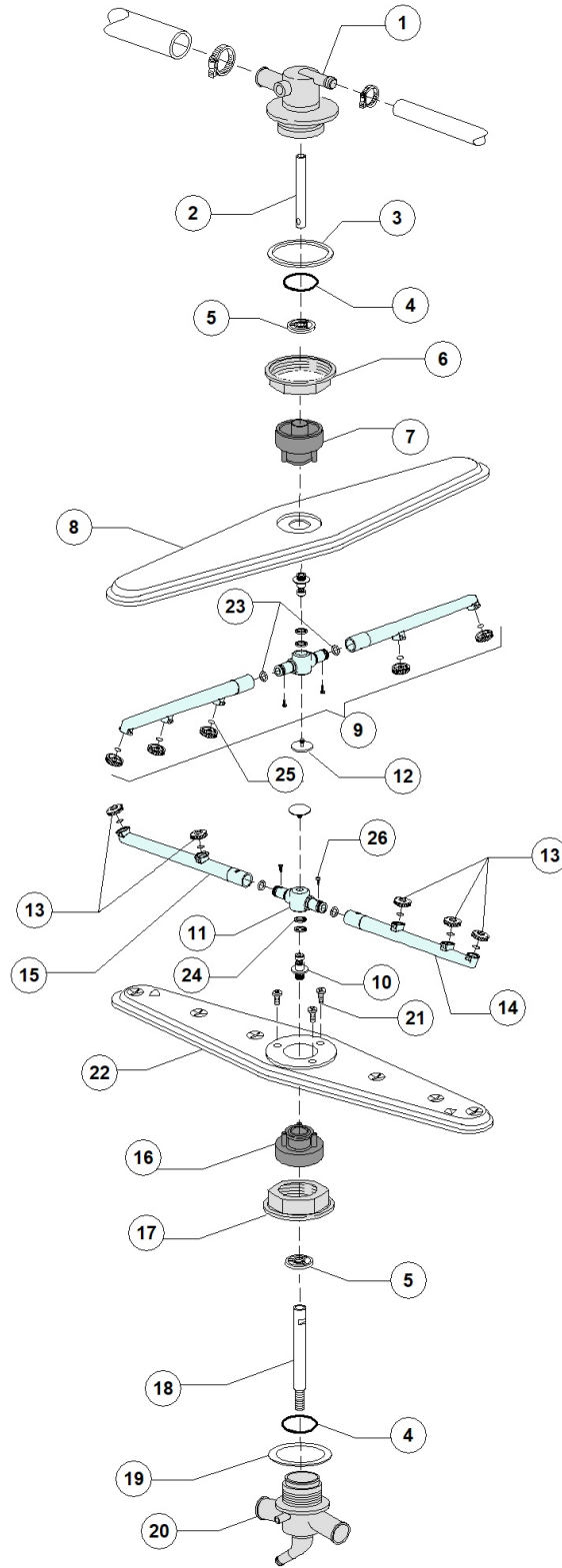
OPTIMA 400 230V 50HZ 2014 - DWM1013861 - Pressure switch group - DW106E



OPTIMA 400 230V 50HZ 2014 - DWM1013861 - Pressure switch group - DW106E

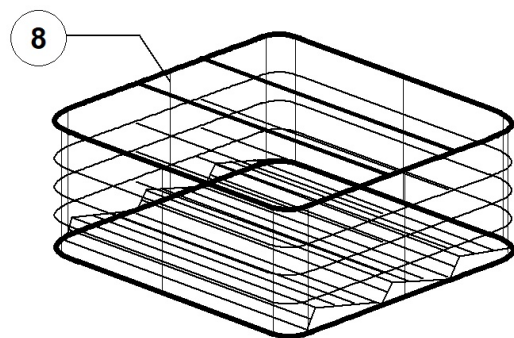
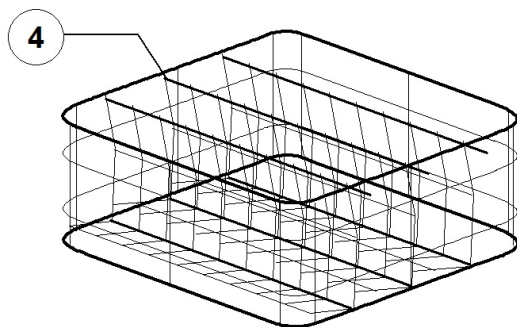
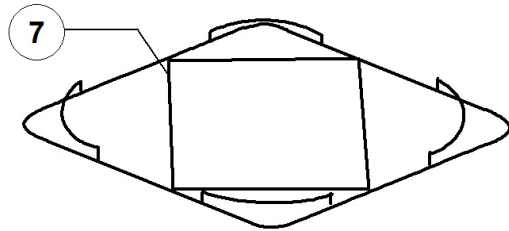
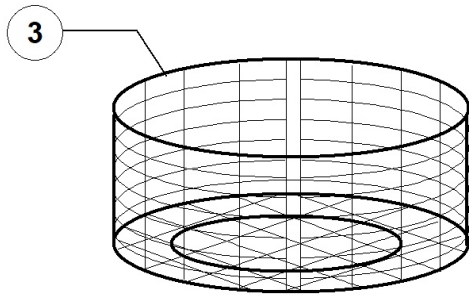
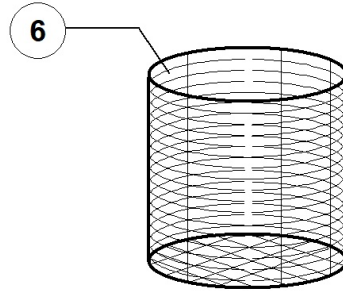
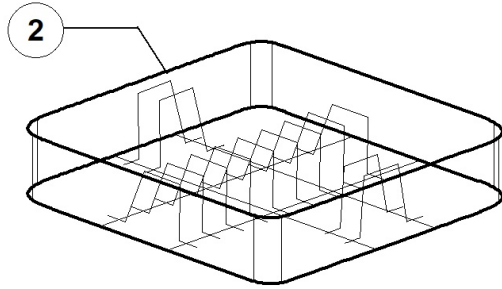
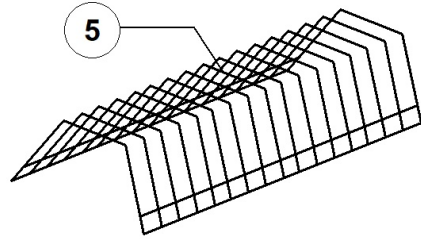
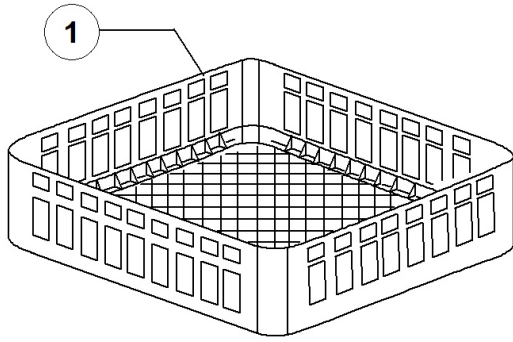
Pos.	Code	Descrizione	Description
1	DW540205	PRESSOSTATO LINEARE 0-30 mbar	PRESSURE SWITCH 0-30
2	DW540202	ASS.GABBIA D'ARIA L75 (Portagomma 6,5)	AIR TRAP ASSEMBLY L75
3	DW13301	GUARNIZ. IN FASIT 202 D14x8x1,5	O-RING ROLMART D14X8X1,5
4	DW11702	DADO M8 INOX UNI5588 DIN934	S/S NUT M8 DIN934 (MIN. 20 PCS)
5	DW14509	TUBO PRESSOSTATO 5X9	5X9 PRESSOSTAT HOSE
6	DW540210	SUPPORTO PRESSOSTATO LINEARE	PRESSURE SWITCH SUPPORT

OPTIMA 400 230V 50HZ 2014 - DWM1013861 - Turret group with rotating arms - DW106E



OPTIMA 400 230V 50HZ 2014 - DWM1013861 - Turret group with rotating arms - DW106E

Pos.	Code	Descrizione	Description
1	DW540075	TORRETTA SUP.GRIG. T.4 ACQUA PULITA	WASH ARMS' UPPER SUPPORT T4.1
2	DW540081	PROLUNGA ASSE INOX SUP.T.4 ACQ.PUL.	TOP AXLE EXTENSION T4.0
3	DW540032	GUARNIZIONE PIANA T.4 D.57X43X1,5	FLAT GASKET D.57X43X1,5 T4.0
4	DW540079	ANELLO TENUTA MOZZO ACQ.PUL. TK4	RING FOR HUB TK4 CLEAN
5	DW540076	GUIDA TUBO PER T.4 ACQUA PULITA	CENTERING
6	DW540093	DADO GRIGIO RIBAS. (12) M45X2.5 TK4-6	TURRET FASTENING NUT
7	DW540078	MOZZO SUP.PER GIR.INOX ACQ.PUL.	UPPER HUB FOR S/S ROTOR T6.1
8	DW540085	GIRANTE INOX LAV.SUP. T.4 ACQ.PUL.	S/S UPPER WASH ROTOR
9	DW540089	GRUPPO RISC.SUP/INF TK4 2009	UPPER/LOWER RINSE ASSEMBLY T4.0 2009
10	DW10651	ASSE RISCIAQUO/03	RINSE AXLE 03
11	DW75920/A	MOZZO PER GIRANTE RISCIAQUO 2009	HUB FOR RINSE ROTOR 2009
12	DW10652	VITE RISCIAQUO/03	RINSE ARM SCREW
13	DW10371	TESTA UGEL. RISC. 95 APER. GRIG.(MIN 10)	OPENED RINSE NOZZLE (BATCH 10PCS)
14	DW540089/S	TUBO RISC. SX GRIGIO TK4 2009	GREY LEFT RINSE ARM TK4 2009
15	DW540089/D	TUBO RISC. DX GRIGIO TK4 2009	GREY RIGHT RINSE ARM TK4 2009
16	DW540077	MOZZO INF.PER GIR.INOX ACQ.PUL.	LOWER HUB FOR S/S ROTOR T6.1
17	DW540093	DADO GRIGIO RIBAS. (12) M45X2.5 TK4-6	TURRET FASTENING NUT
18	DW540082	PROLUNGA ASSE INOX INF.T.4 ACQ.PUL.	LOWER AXLE EXTENSION T4.1
19	DW540034	GUARNIZ.PIANA TORR. T.4 D.57X43X4	FLAT GASKET D.57X43X4
20	DW540074	TORRETTA INF.GRIG. T.4 ACQUA PULITA	WASH ARMS' LOWER SUPPORT T4.1
21	DW11006	VITE AUT 2,9x13 TSP INOX UNI6955 DIN7982	2,9X13 TSP S/S SELF-TAPPING SCREW
22	DW540084	GIRANTE INOX LAV.INF. T.4 ACQ.PUL.	S/S LOWER WASH ROTOR
23	DW13002	GUARNIZIONE OR R6 NBR	O-RINGR R6 NBR (MIN. 10 PCS)
24	DW75920/B	ANELLI TENUTA MOZZO RISCIAQUO 2009	BAGUE D'ESPACEMENT
25	DW13002	GUARNIZIONE OR R6 NBR	O-RINGR R6 NBR (MIN. 10 PCS)
26	DW11004	VITE TCB D.8 DENTATA 4X10 SPAX	4X10 TCB D.8 SPAX TOOTHED SCREW



OPTIMA 400 230V 50HZ 2014 - DWM1013861 - Baskets - DW106E

Pos.	Code	Descrizione	Description
1	DWC121	CESTO BICCH. 40X40 BORDI TONDI T.4	400X400 GLASS BASKET
5	DW10728	INSERTO PIATTINI 14 POSTI	SAUCER HOLDER 14 PCS
6	DW15060	INSERTO CUCCHIAINI GRANDI DIS.G.060	CUTLERY BASKET

