

cod.DW107E

data:07/03/2023

**Catalogo ricambi
Spare parts catalog
Catalogue de pièces détachées
Ersatzteilkatalog
Catálogo de repuestos
Catálogo de peças de reposição
Каталог запасных частей**

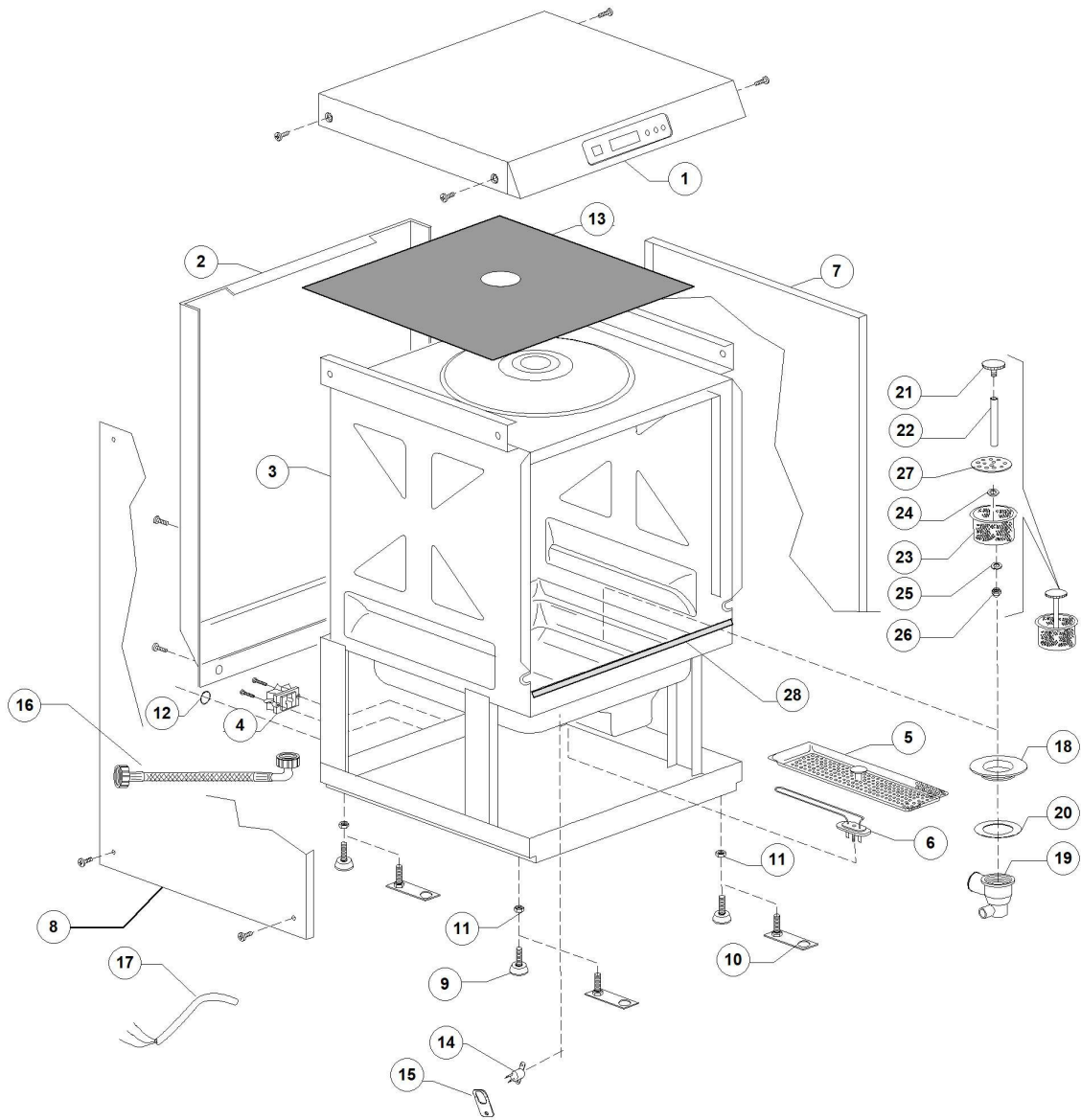
OPTIMA 500 HR 400V3N 50HZ DIHR 2014



S/N:DWN1016890



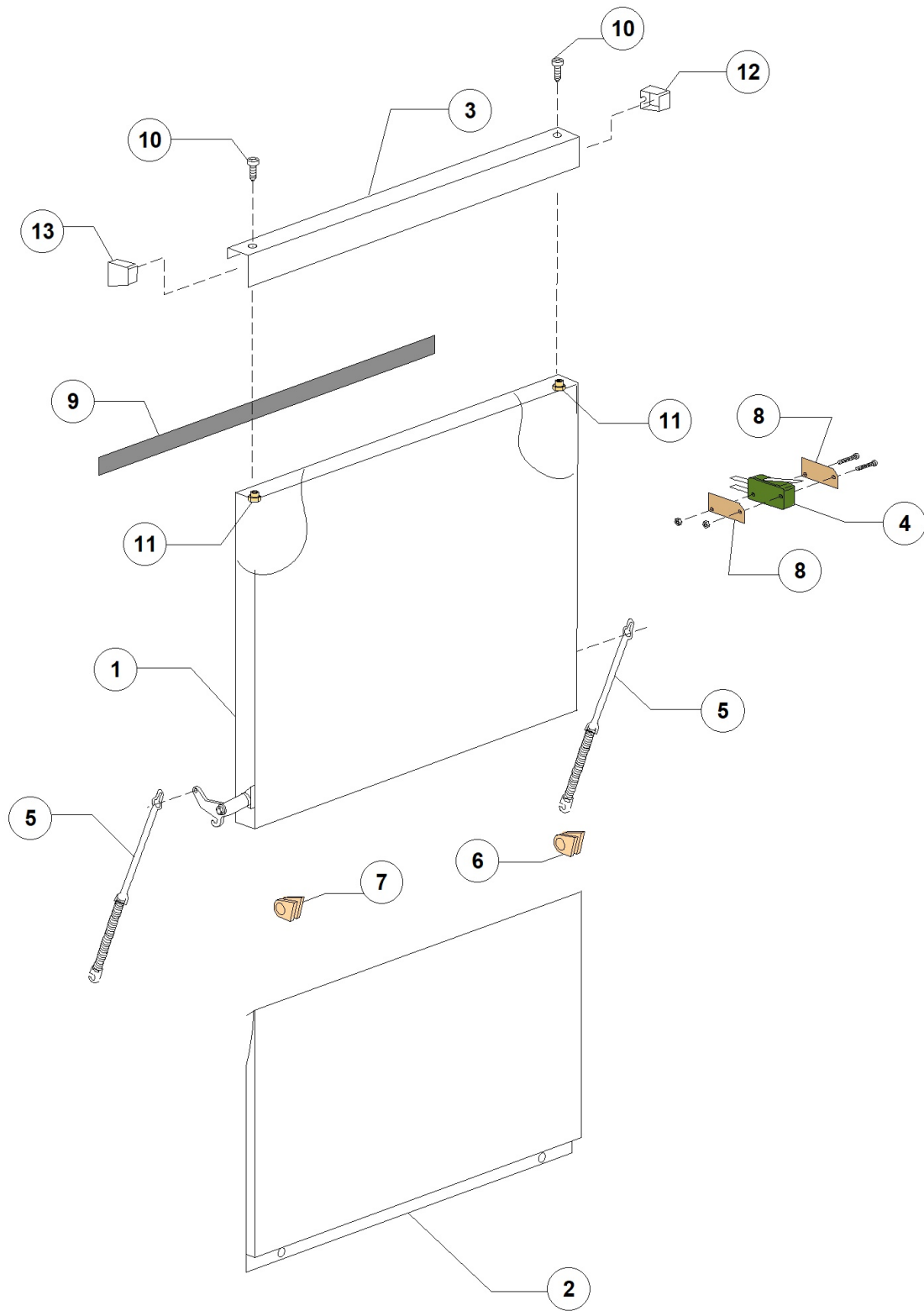
OPTIMA 500 HR 400V3N 50HZ DIHR 2014 - DWN1016890 - General body parts - DW107E



OPTIMA 500 HR 400V3N 50HZ DIHR 2014 - DWN1016890 - General body parts - DW107E

Pos.	Code	Descrizione	Description
1	DW561051	#COPERCHIO INCLINATO TOP 50	OBLIQUE COVER 50
2	DW560938	SCHIENALE PER BREAK-TANK T.6	BACK PANEL BT T6
3	DW561000/R	CARROZZERIA TEKNO 6.1 - TOP50 TR	
4	DW15065/A	FISSACAVO PER VITI AUTOF (NR.2x11007)	CABLE-FASTENER WITH SCREW
5	DW561009	FILTRO SUPERFICIE T6.1 ACQUA PULITA	SURFACE FILTER
6	DW540401	RESIST.1100/1200W 230/240V 1	1100/1200W 230/240V 1 HEATING ELEM.
7	DW560914	FIANCO DX TEKNO 6.0	RIGHT SIDE T6.0
8	DW560915	FIANCO SX TEKNO 6.0	LEFT SIDE T6.0
9	DW10786	PIEDINO M10X35 DIAM.30 NERO	M10X35 D.30 BLACK FOOT
11	DW11711	DADO M10 ZINCATO DIN934	ZINC PLATED NUT M10 (MIN. 20PCS)
12	DW13323	PASSACAVO IN GOMMA D.13	RUBBER FAIRLEAD D.13 (MIN. 2 PCS)
13	DW561064	COIBENTE TETTO TOP50	INSULATING SHEET
14	DW15552/B	TERMOST. SICUR.VASCA KLIXON SENZA STAFFA	KLIXON TANK SAFETY THERMOSTAT
15	DW15552/A	STAFFETTA PER TERMOSTATO VASCA KLIXON	THERMOSTAT SUPPORT
16	DW10726	CANNA CARICO PICC. WRAS m1,5x3/4 EN61770	LOAD PIPE WRAS M1,5x3/4 EN61770
17	DW15118	CAVO ALIMENTAZIONE 5x2,5x2500	CABLE 5x2,5x2500
18	DW540088	GHIERA PORTA FILTRO ASP.POM.T.4 AP	RING NUT FOR PUMP SUCTION FILTER HOLDER
19	DW500605	POZZETTO CON SCARICO LATERALE SX	LEFT SIDE SCRAP TRAY
20	DW80208	GUARNIZIONE RAMPA LP2 DIAM.95X75X3	RISER GASKET D.95X75X3 (MIN. 2 PCS)
21	DW11101/A	VITE GRUP.RISC. D.30X11 (M8) INOX	GROUP FASTENING S/S SCREW D.30X11 M8
22	DW540086	MANICO FILTRO ASP.POMPA T.4 ACQ.PUL	FILTER HANDLE
23	DW561013	FILTRO ASPIR.POMPA T.6.1 ACQ.PUL.	SUCTION FILTER
24	DW11178	RONDELLA 6X18 PIANA INOX UNI6593 DIN9021	6X18 S/S PLANE WASHER UNI6593 DIN9021
25	DW11604	RONDELLA GROWER M6 INOX UNI1751 DIN127	M6 S/S GROWER WASHER UNI1751 DIN127
26	DW11709	DADO M6 CIECO CALOTTA SEMISF.A2 DIN1587	S/S CAP NUT M6 DIN1587
28	DW560013	GUARNIZIONE SOTTOP.T.6 PROFILO B.13	PROFILE FOR LOWER DOOR SEAL

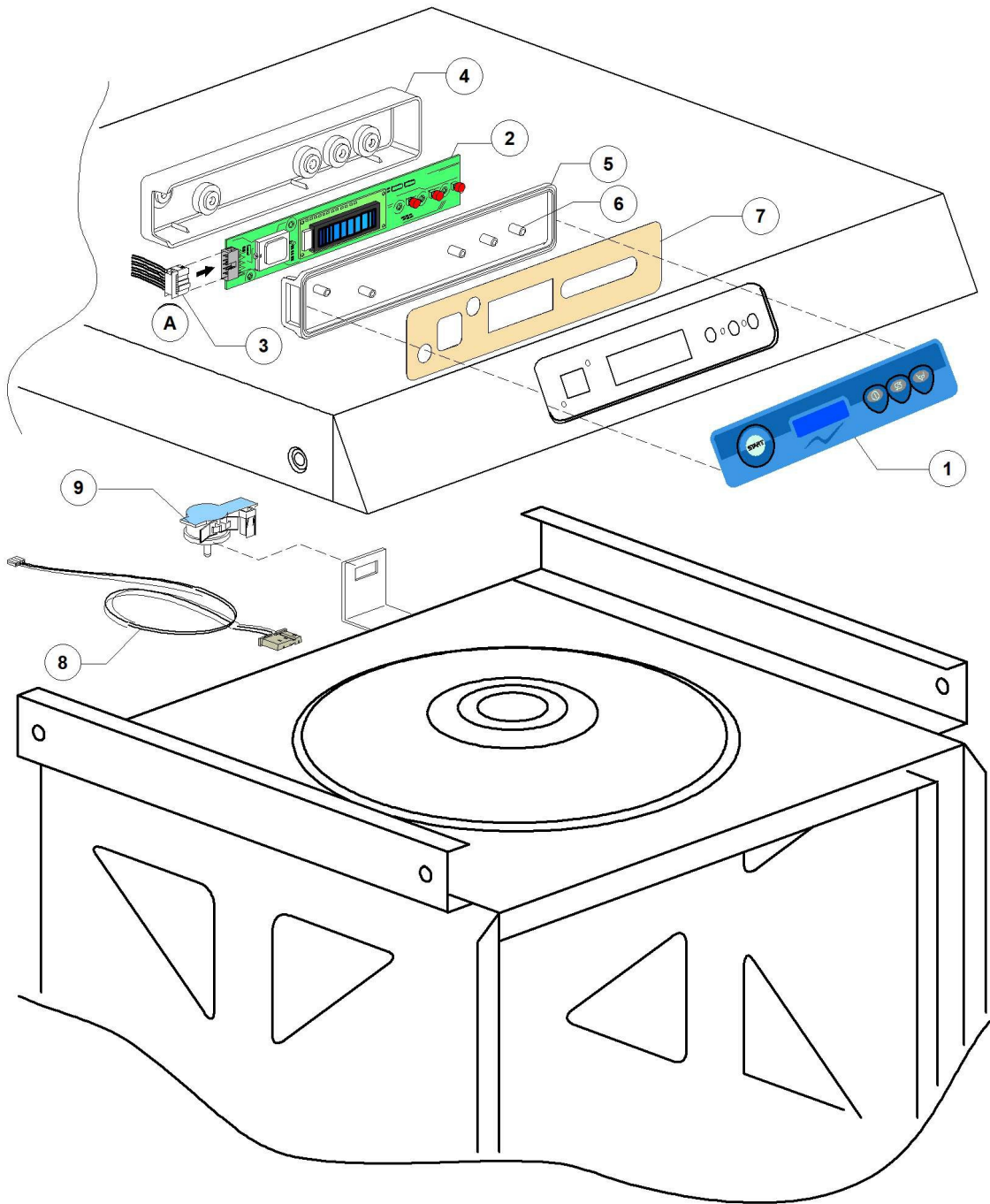
OPTIMA 500 HR 400V3N 50HZ DIHR 2014 - DWN1016890 - Door - DW107E



OPTIMA 500 HR 400V3N 50HZ DIHR 2014 - DWN1016890 - Door - DW107E

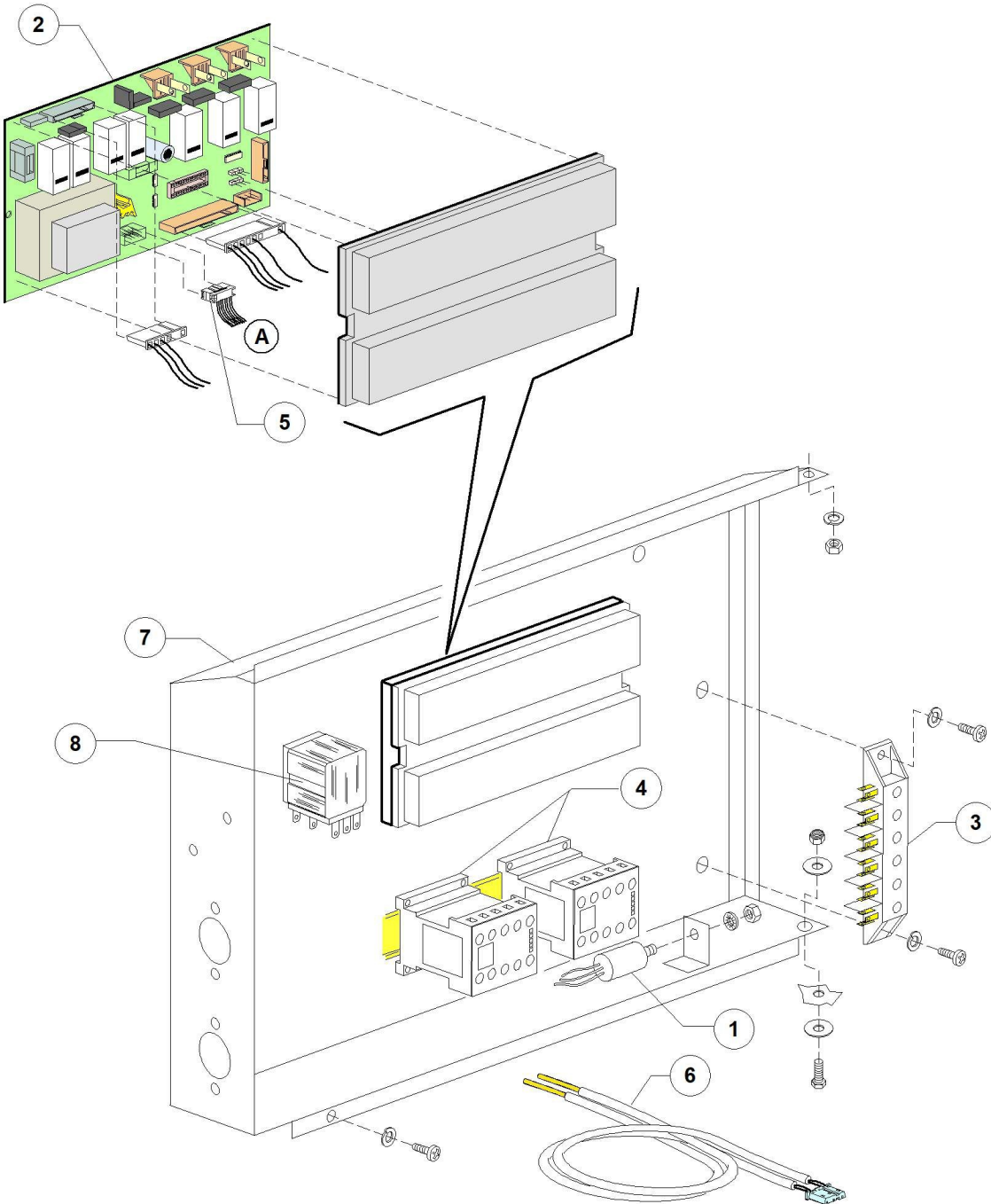
Pos.	Code	Descrizione	Description
1	DW560963	#PORTA (SENZA MANIGLIA) T.6	DOOR T6.0
2	DW560920	SOTTOPORTA TEKNO 6.0	FRONT PANEL TEKNO6
3	DW560959/D	MANIGLIA 500-600 DIHR/2014	S/S HANDLE 500/600 DIHR/2014
4	DW10704	MICRO 16A SICUREZZA PORTA	DOOR MICROSWITCH
5	DW560003	MOLLA SPORTELLO TEK6 FILO 1,7 DE12	DOOR SPRING
6	DW560006	GOMMINO DX PER CERNIERA PORTA TEK.6	DOOR HINGE RIGHT RUBBER LOCK (MIN. 2PCS)
7	DW560007	GOMMINO SX PER CERNIERA PORTA TEK.6	DOOR HINGE LEFT RUBBER LOCK (MIN. 2PCS)
8	DW10770	ISOLANTE PER MICROSWITCH	DOOR MICROSWITCH INSULATION (MIN. 3PCS)
9	DW560021	PROFILO GUARNIZIONE PORTA T.6 E T.4	PROFILE FOR DOOR SEAL
10	DW11220	VITE INOX M4X12 BOSSARD BN5952	M4X12 S/S SCREW BN5952
11	DW11203	DADO M4 AUTOBLOCCANTE INOX DIN982	S/S SELF-LOCKING NUT M4 DIN982

OPTIMA 500 HR 400V3N 50HZ DIHR 2014 - DWN1016890 - Control panel and switches - DW107E



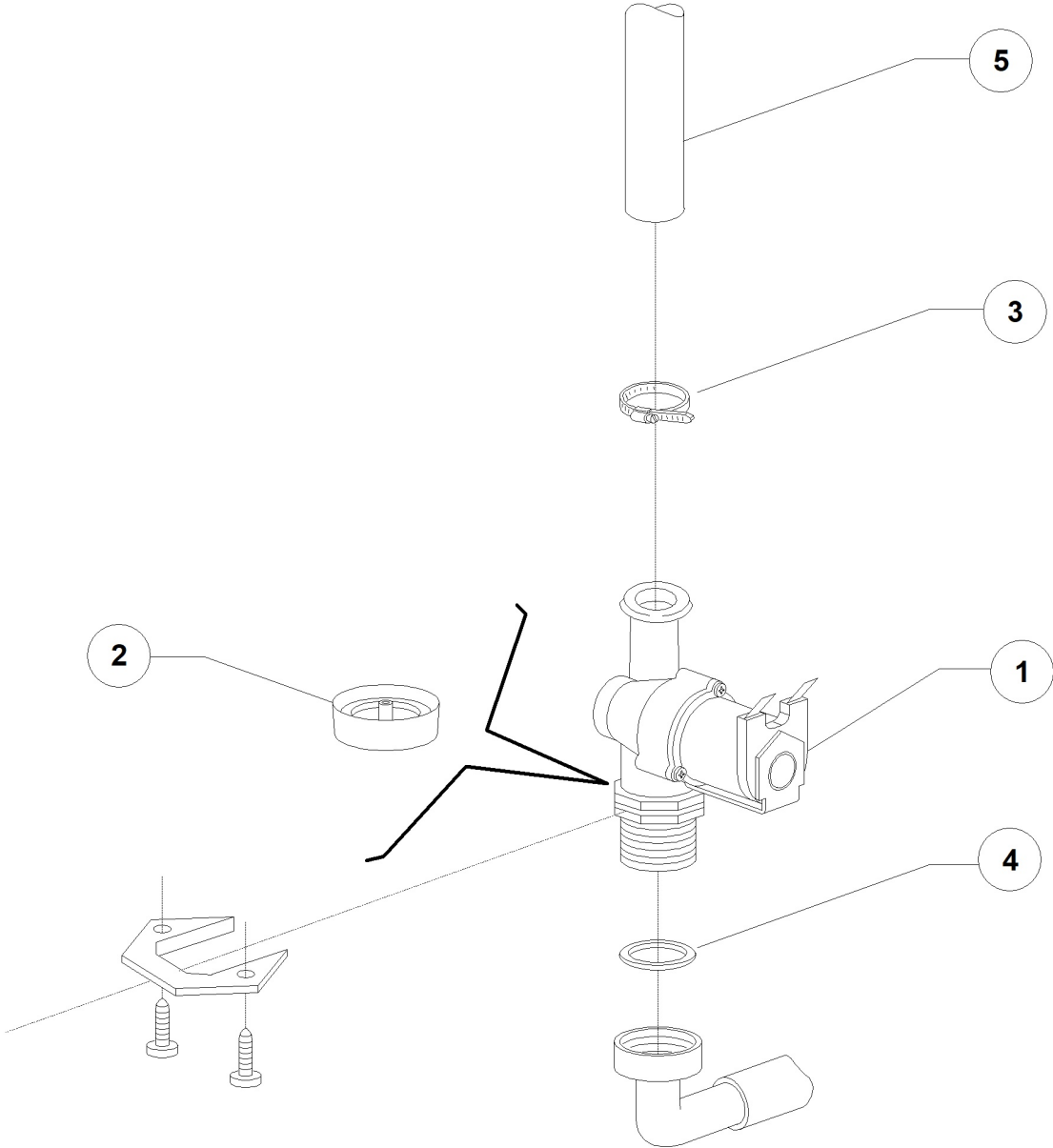
OPTIMA 500 HR 400V3N 50HZ DIHR 2014 - DWN1016890 - Control panel and switches - DW107E

Pos.	Code	Descrizione	Description
1	DW560048	#MOSTRINA TOP DIHR	CONTROL OVERLAY DIHR
2	DW560051	#TASTIERA CON DISPLAY 122X32 VERS.09	KEY-BOARD WITH DISPLAY 122X32 VERS.09
3	DW50652	"PIATTINA MULTIFILO "F16p" L3000"	RIBBON CABLE F16p L3000
4	DW560051/A	#SCATOLA PROT. SCHEDA 560051 (245X46X19)	ELECTRONIC BOARD PROTECTION BOX 560051
5	DW560051/B	#GUARNIZIONE PER SCATOLA 560051/A	PROTECTION BOX GASKET DW560051/A
6	DW50561	DIST. SCHEDE ELETTR. 2009 D.8X10	MAINBOARD SPACER D.8X10
7	DW560053	PROTEZ. ISOLANTE ADES. PULSAN. TOP	PUSH BUTTON PANEL INSULATING PROTECTION
8	DW6106504	CABLAGGIO PRESSOSTATO LINEARE	CABLING LINEAR PRESSURE-SWITCH
9	DW540205	PRESSOSTATO LINEARE 0-30 mbar	PRESSURE SWITCH 0-30



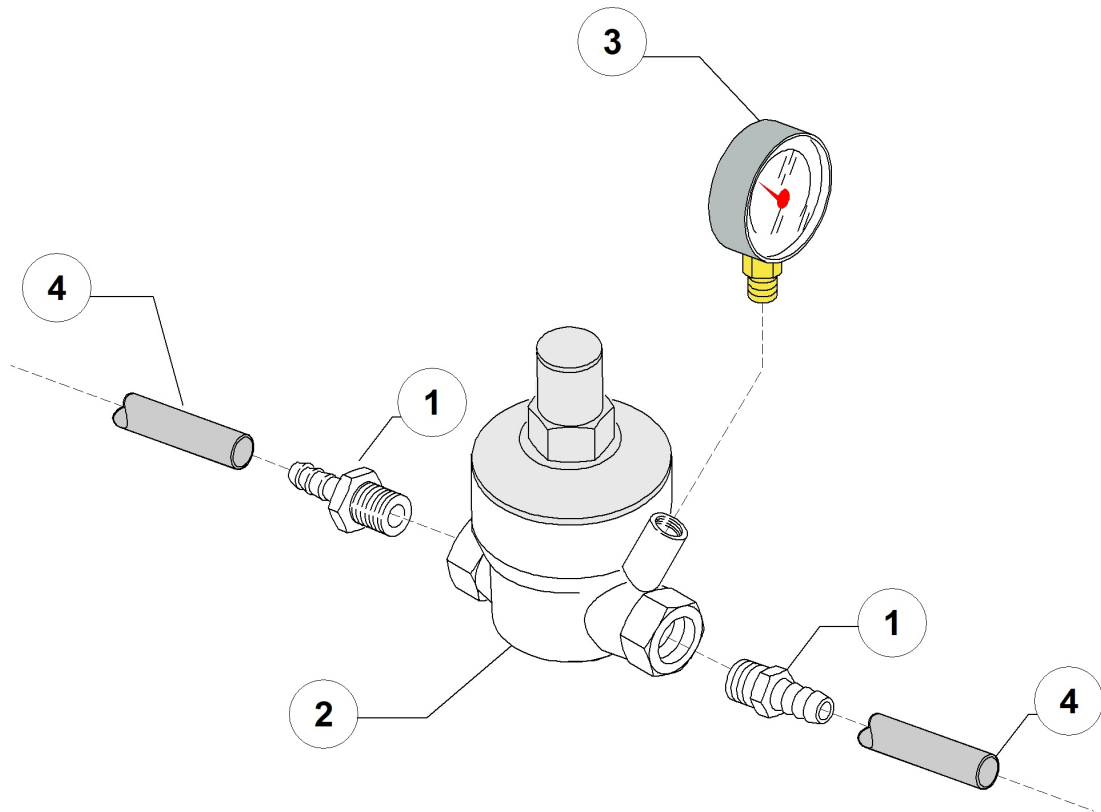
OPTIMA 500 HR 400V3N 50HZ DIHR 2014 - DWN1016890 - Electric control components - DW107E

Pos.	Code	Descrizione	Description
1	DW15149	FILTRO ANTIDIS.F3 (CX0.47MF)	LOW NOISE FILTER F3 (CX0.47MF)
2	DW561050	SCHEDA MADRE TOP50/2010 (BL)	MAINBOARD TOP50/2010 (BL)
3	DW500551	MORSETTIERA 6 POLI KL116/6	TERMINAL BOARD 6 POLES FV122 RED
4	DW15086	TELERUTTORE 230V 50/60Hz 4C AC3(6A)	CONTACTOR 230V 50/60Hz 4C AC3(6A)
5	DW50652	"PIATTINA MULTIFILO "F16p" L3000"	RIBBON CABLE F16p L3000
6	DW50562	SONDA TERMOSTATO SCHEDA DIHRECO2	THERMOSTAT PROBE DIHRECO2
7	DW560921	PORTACOMPONENTI ELETTR.TEKNO 6.0	ELECTRIC COMPONENTS PANEL T6.0
8	DW16047	RELE TRIP.16A 230VAC 50/60Hz	TRIPOLAR RELAY 16A 230VAC 50/60Hz



OPTIMA 500 HR 400V3N 50HZ DIHR 2014 - DWN1016890 - Solenoid valve group - DW107E

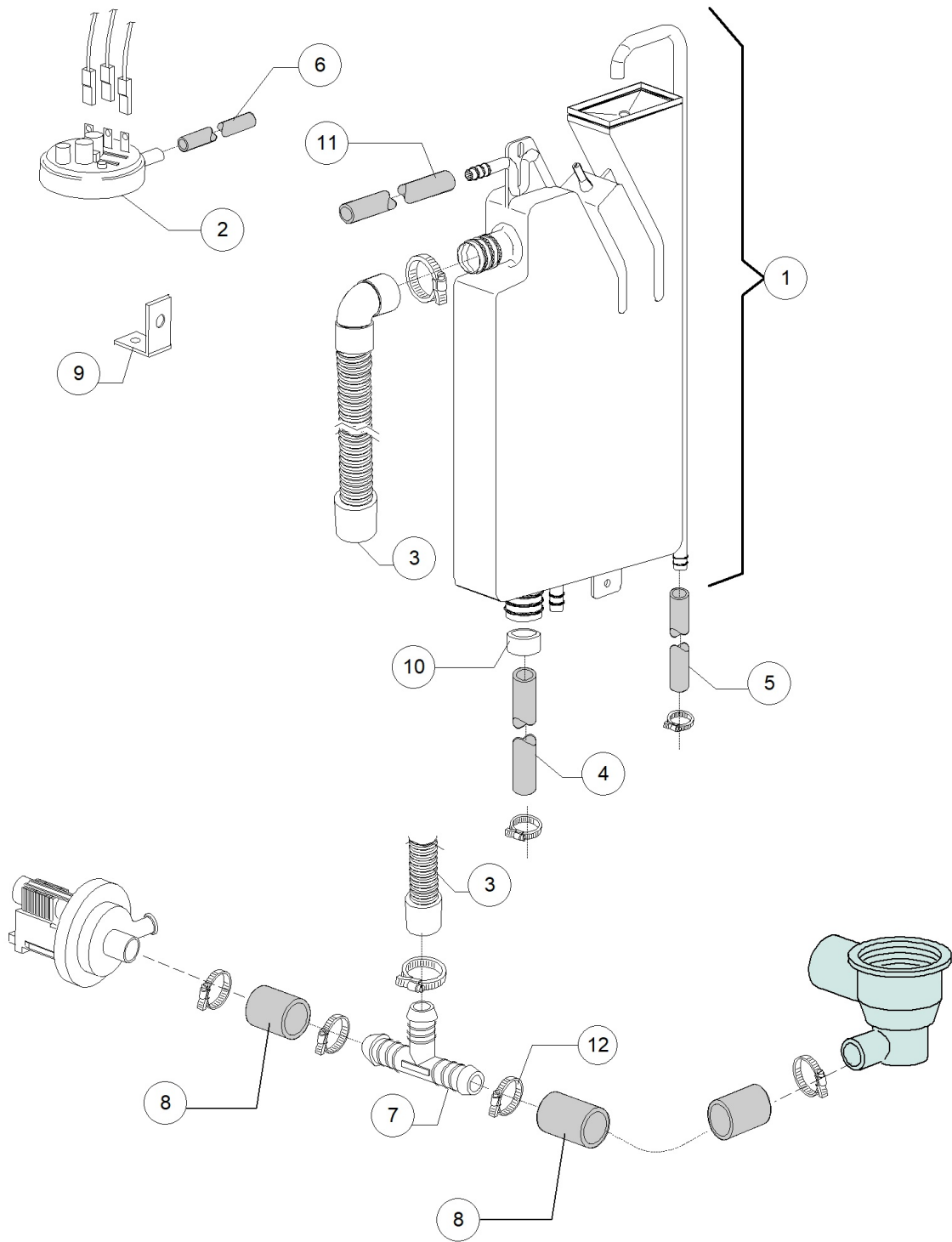
Pos.	Code	Descrizione	Description
1	DW10703	ELETTROV. SING. H2O 230V DIS.LS036	SINGLE SOLENOID VALVE H2O 230V
3	DW11807	FASCETTE AISI 430 12/22	CLAMP 12/22 AISI 430
4	DW13307	GUARNIZ. 3/4 CARICO H2O DIS.LS061	GUARNIZ. 3/4 CARICO H2O DIS.LS061
5	DW14506	TUBO GOMMA DIAM 9,5X16 EPDM	9,5X16 EPDM RUBBER HOSE
5	DW2907351	TUBO GOMMA EPDM 11,5X19	11,5X19 EPDM RUBBER HOSE
5	DW2907352	TUBO GOMMA PVC WRAS BT	PVC WRAS RUBBER HOSE



OPTIMA 500 HR 400V3N 50HZ DIHR 2014 - DWN1016890 - Pressure reduction - DW107E

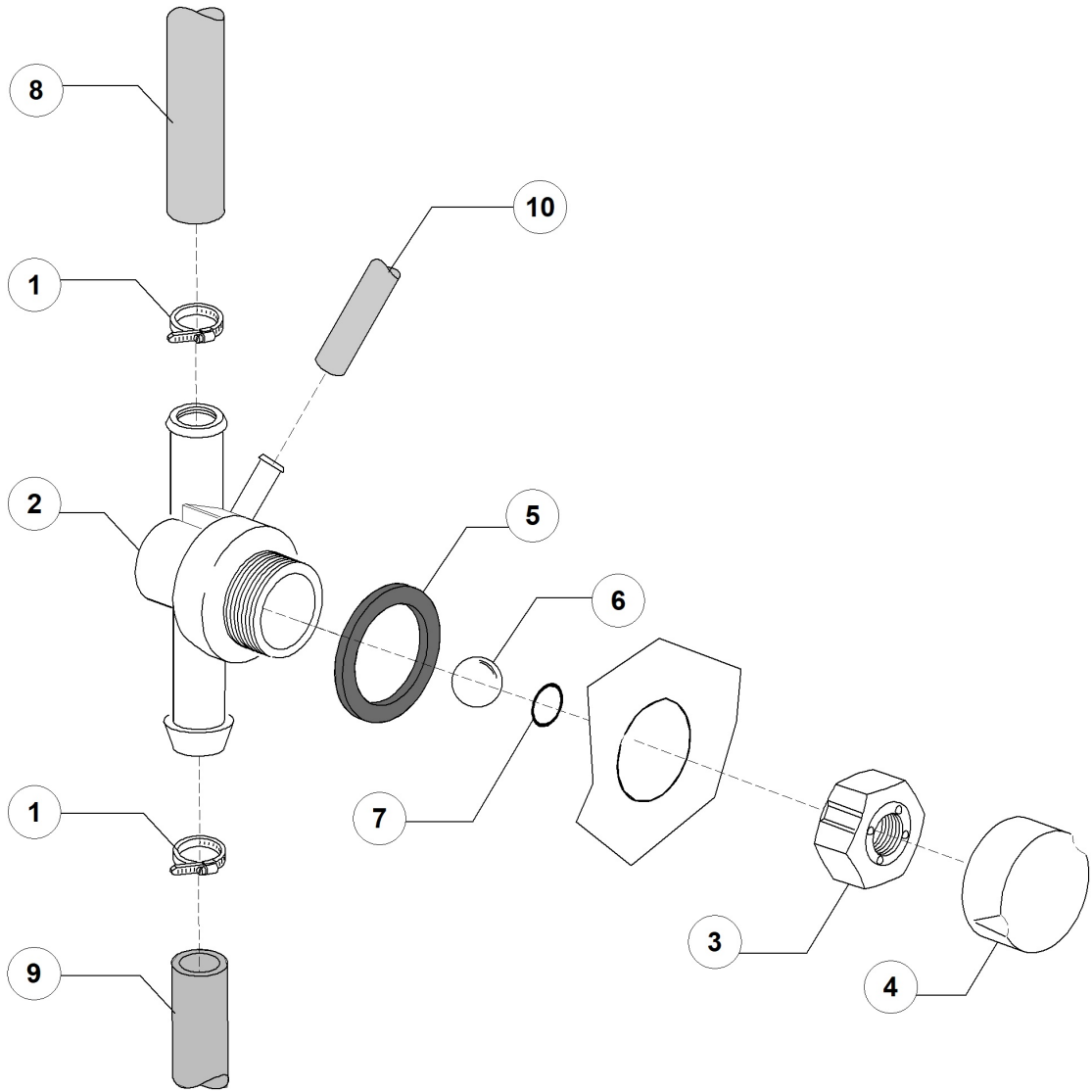
Pos.	Code	Descrizione	Description
1	DW12023	PORTAGOMMA M 1/2 diam 12 PG260	HOSE CONNECTOR 10 M1/2 PG260
2	DW391025	RIDUT. DI PRESS. MINIBRASS 106.G	PRESSURE REDUCER
3	DW2000244	"MANOMETRO RIDUTTORE PRESS. 1/4"CONIC"	"PRESSURE REDUCTION GAUGE 1/4"
4	DW2907352	TUBO GOMMA PVC WRAS BT	PVC WRAS RUBBER HOSE

OPTIMA 500 HR 400V3N 50HZ DIHR 2014 - DWN1016890 - Break Tank - DW107E



OPTIMA 500 HR 400V3N 50HZ DIHR 2014 - DWN1016890 - Break Tank - DW107E

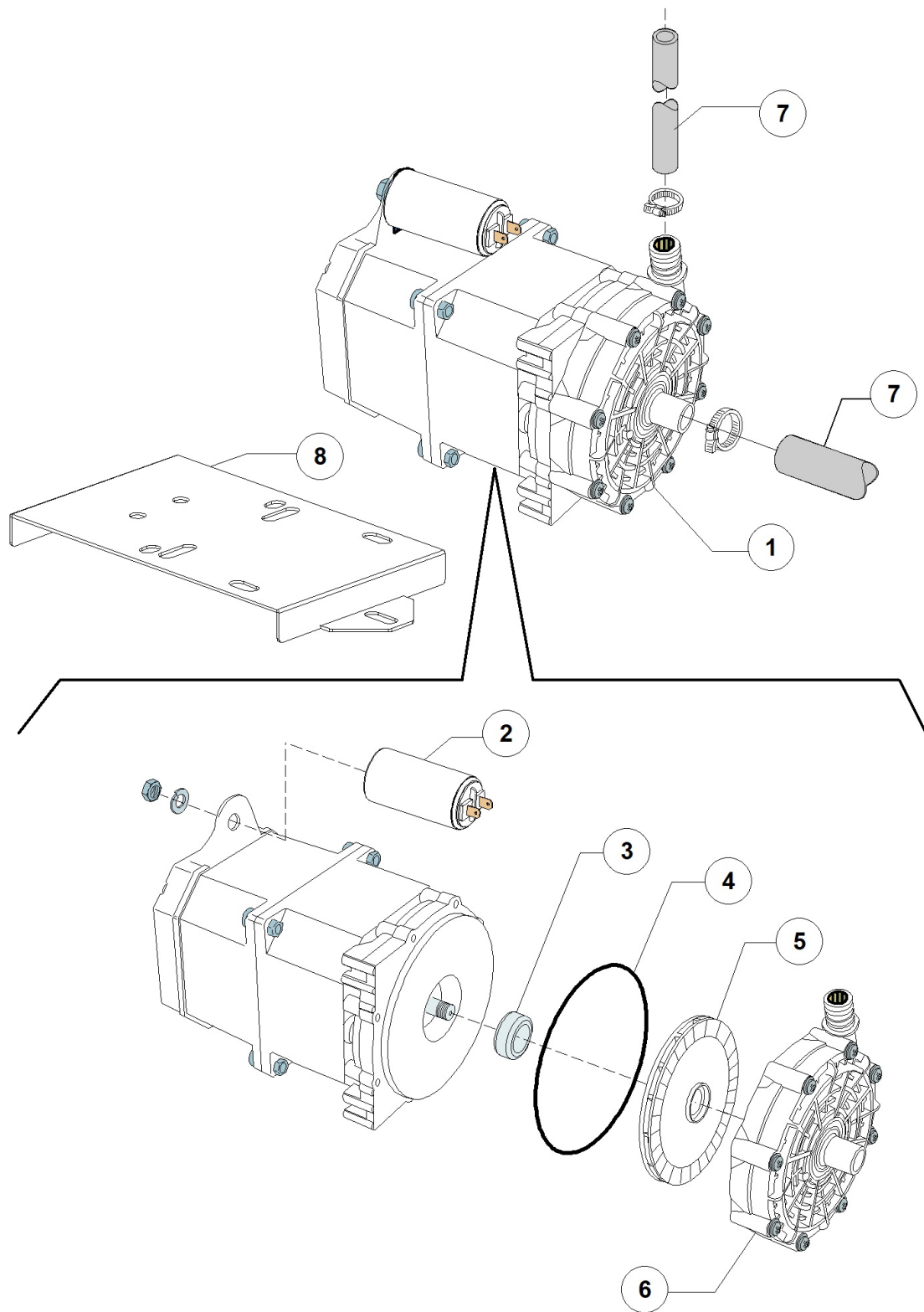
Pos.	Code	Descrizione	Description
1	DW15735	ASSIEME BREAK TANK 2.4	BREAK TANK ASSEMBLY 2.4LT
2	DW10706/A	"PRESSOSTATO "EL." 46-26"	PRESSURE SWITCH 46-26
3	DW15721	CANNA B.T. D28-90 \varnothing /D24 DIRITTO L1070	BREAK TANK LONG PIPE D.28/24 L1070
4	DW18044	TUBO DIAM.28 EPDM LAV.SUP. STAR	D.28 EPDM PIPE
5	DW2907352	TUBO GOMMA PVC WRAS BT	PVC WRAS RUBBER HOSE
6	DW14508	TUBO EPDM 4.5X9 PER PRESSOSTATO	EPDM HOSE 4.5X9 FOR PRESSURE SWITCH
7	DW540098	DERIV. 3VIE T D25 PLASTICA	PLASTIC Y-PIECE D.25
8	DW561067	TUBO D28-26 EPDM PER DERIV.3VIE	HOSE EPDM D.28/26
9	DW135314	STAFFA PRESSOSTATO SERIE K	PRESSURE SWITCH SUPPORT
10	DW12533	RINFORZO COLLARE USCITA BREAK TANK	BREAK TANK OUTLET COLLAR REINFORCEMENT
11	DW14506	TUBO GOMMA DIAM 9,5X16 EPDM	9,5X16 EPDM RUBBER HOSE
12	DW11806	FASCETTE AISI 430 25/40	CLAMP 25/40 AISI 430



OPTIMA 500 HR 400V3N 50HZ DIHR 2014 - DWN1016890 - No return valve / drain - DW107E

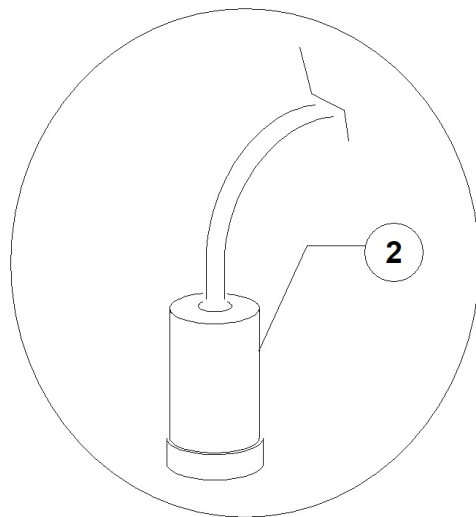
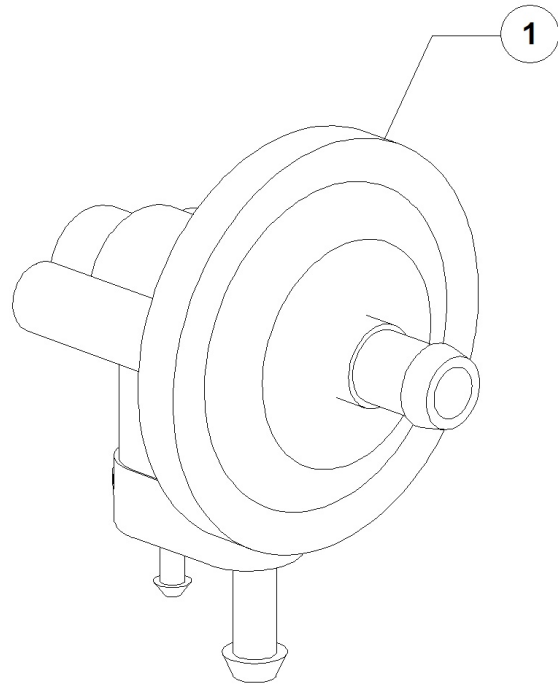
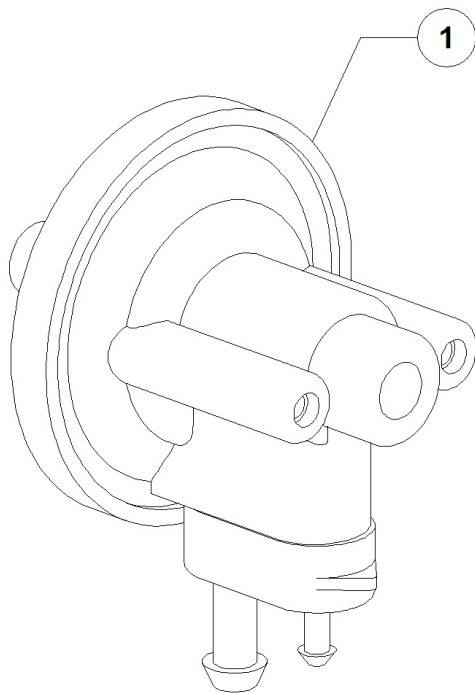
Pos.	Code	Descrizione	Description
1	DW11836	FASCETTA INOX 20/32	S/S CLAMP 20/32
2	DW15288	COLLETORE SCARICO TOP40-50 DVGW 07	DRAIN VALVE CENTER BODY
3	DW15281	DADO VALVOLA DVGW 07	VALVE NUT
4	DW15282	COPRI DADO VALVOLA DVGW 07	VALVE NUT COVER
5	DW15283	GUARNIZIONE VALVOLA DVGW 07	VALVE GASKET
6	DW15284	"SFERA 5/8" VALVOLA DVGW 07"	"5/8" BALL FOR DVGW VALVE 07"
7	DW15285	GUARNIZIONE OR 115 KTW VALVOLA DVGW 07	O-RING 115 KTW
8	DW540206	MANICOTTO EPDM SCARICO TOP40-50	DRAIN PIPE COUPLING
9	DW14510	TUBO DIAM.19X26 TRASPARENTE SCARICO TOP	TRANSPARENT HOSE D.19X26 TOP DRAIN
10	DW14506	TUBO GOMMA DIAM 9,5X16 EPDM	9,5X16 EPDM RUBBER HOSE

OPTIMA 500 HR 400V3N 50HZ DIHR 2014 - DWN1016890 - Rinsing pump / Booster pump - DW107E



OPTIMA 500 HR 400V3N 50HZ DIHR 2014 - DWN1016890 - Rinsing pump / Booster pump - DW107E

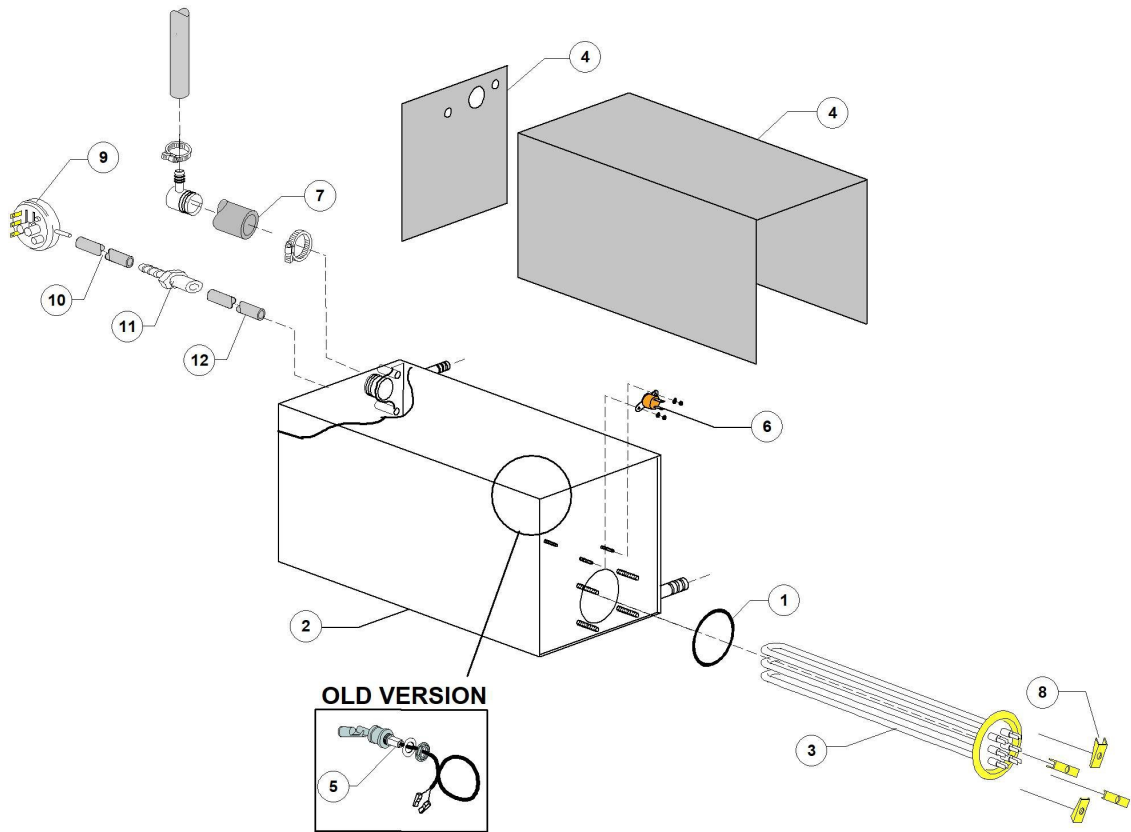
Pos.	Code	Descrizione	Description
1	DW15100/DO	POMPA RISCIAQUO 220-240/50 (PLUS)	RINSE PUMP 220-240V/50HZ (PLUS)
2	DW16043	#CONDENSATORE POMPA uf8	uf8 CONDENSER
3	DW15100/S	TENUTE ROTANTI EPDM(15100/DO)	EPDM ROTARY SEAL (15100/DO)
4	DW15100/T	OR EPDM(15100/DO)	O-RING EPDM (15100/DO)
5	DW15100/U	#GIRANTE 90X2.5 (15100/DO)	PUMP ROTOR 90X2.5 (DW15100/DO)
6	DW15100/V	#CHIOCCIOLA ANTE. (15100/DO)	SCROLL FOR PUMP 15100/DO
7	DW2907351	TUBO GOMMA EPDM 11,5X19	11,5X19 EPDM RUBBER HOSE
8	DW23235	STAFFA SUPP. POMPA A.P.	BOOSTER PUMP SUPPORT



OPTIMA 500 HR 400V3N 50HZ DIHR 2014 - DWN1016890 - Rinse aid dispenser group - DW107E

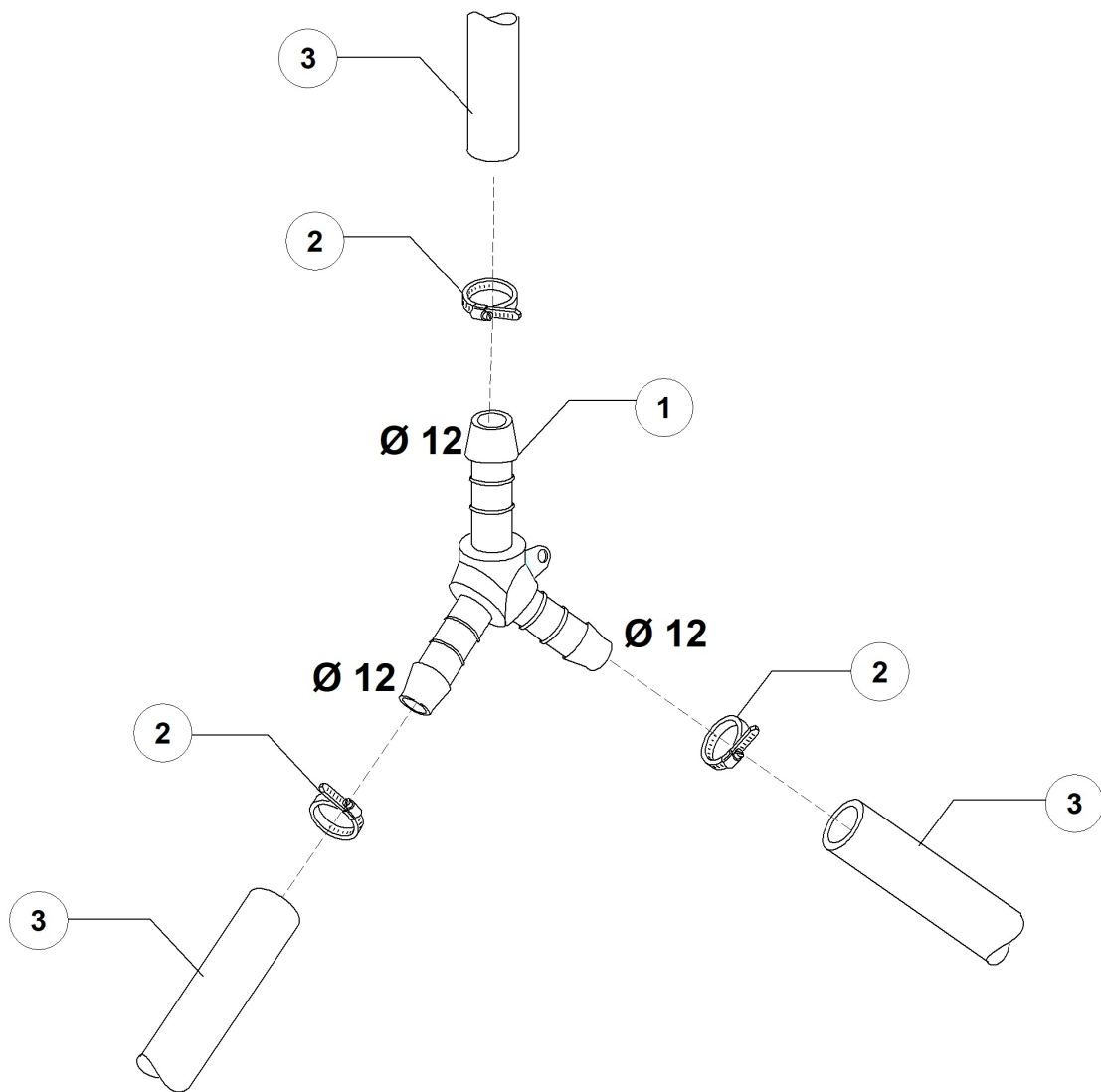
Pos.	Code	Descrizione	Description
1	DW10799/G	DOSATORE BRILLANTANTE	RINSE AID DOSING PUMP
2	DW15058	FILTRINO CON PESO ASPIR. DET/BRIL	SMALL FILTER (MIN. 3 PCS)

OPTIMA 500 HR 400V3N 50HZ DIHR 2014 - DWN1016890 - Boiler group - DW107E



OPTIMA 500 HR 400V3N 50HZ DIHR 2014 - DWN1016890 - Boiler group - DW107E

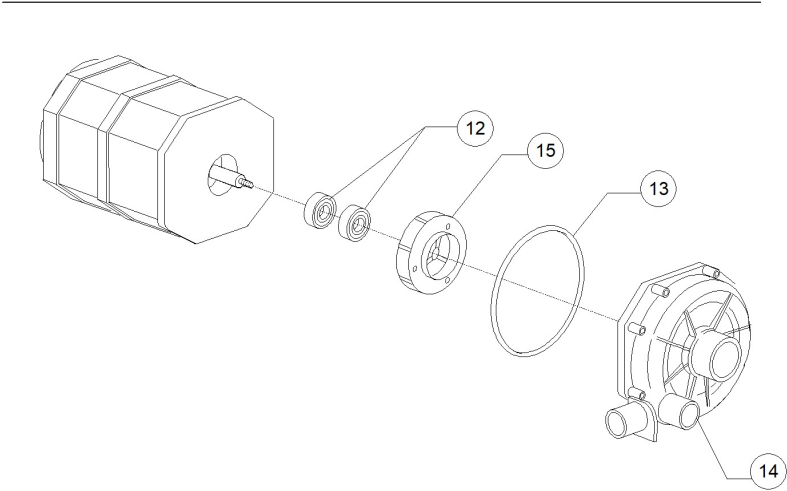
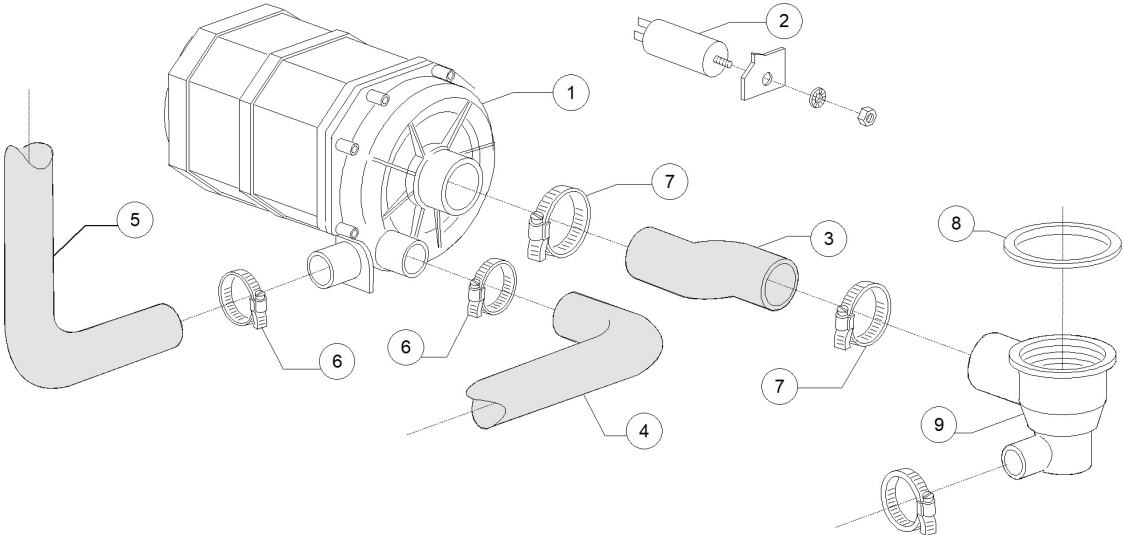
Pos.	Code	Descrizione	Description
1	DW13005	GUARNIZIONE OR 151 NBR	O-RING 151 NBR (MIN. 5 PCS)
2	DW561065	#BOILER RETT.430X180X200 TOP50(AISI304)	RECT. BOILER 430X180X200 TOP50 (AISI 304)
3	DW15089/E	RESIST.6000/6530W 230/240V 3 L378	6000/6530W 230/240V 3 L378 HEATING ELEM
4	DW561063	#KIT COIB.BOILER TOP50(RICAVA DA 392005)	KIT INSULATION FOR BOILER
6	DW15550	#THERMOSTATO SICUR. CONTATTO KLIXON	KLIXON SAFETY THERMOSTAT
7	DW18044	TUBO DIAM.28 EPDM LAV.SUP. STAR	D.28 EPDM PIPE
8	DW16045	STAFFE FISSAGGIO RESIST.FORO 6.3	HEATING ELEMENT MOUNTING BRACKET D.6,3
9	DW10706/A	"PRESSOSTATO "EL." 46-26"	PRESSURE SWITCH 46-26
10	DW14508	TUBO EPDM 4.5X9 PER PRESSOSTATO	EPDM HOSE 4.5X9 FOR PRESSURE SWITCH
10	DW14509	TUBO PRESSOSTATO 5X9	5X9 PRESSOSTAT HOSE
11	DW12553	#PORTAGOMMA INOX D8-D6.5 (TOP)	
12	DW2907356	TUBO PYTHON NV10 8X17	



OPTIMA 500 HR 400V3N 50HZ DIHR 2014 - DWN1016890 - 3 ways connection - DW107E

Pos.	Code	Descrizione	Description
1	DW540091	DERIV. 3VIE Y D12 PLASTICA	PLASTIC Y-PIECE D.12
2	DW11807	FASCETTE AISI 430 12/22	CLAMP 12/22 AISI 430
3	DW2907351	TUBO GOMMA EPDM 11,5X19	11,5X19 EPDM RUBBER HOSE

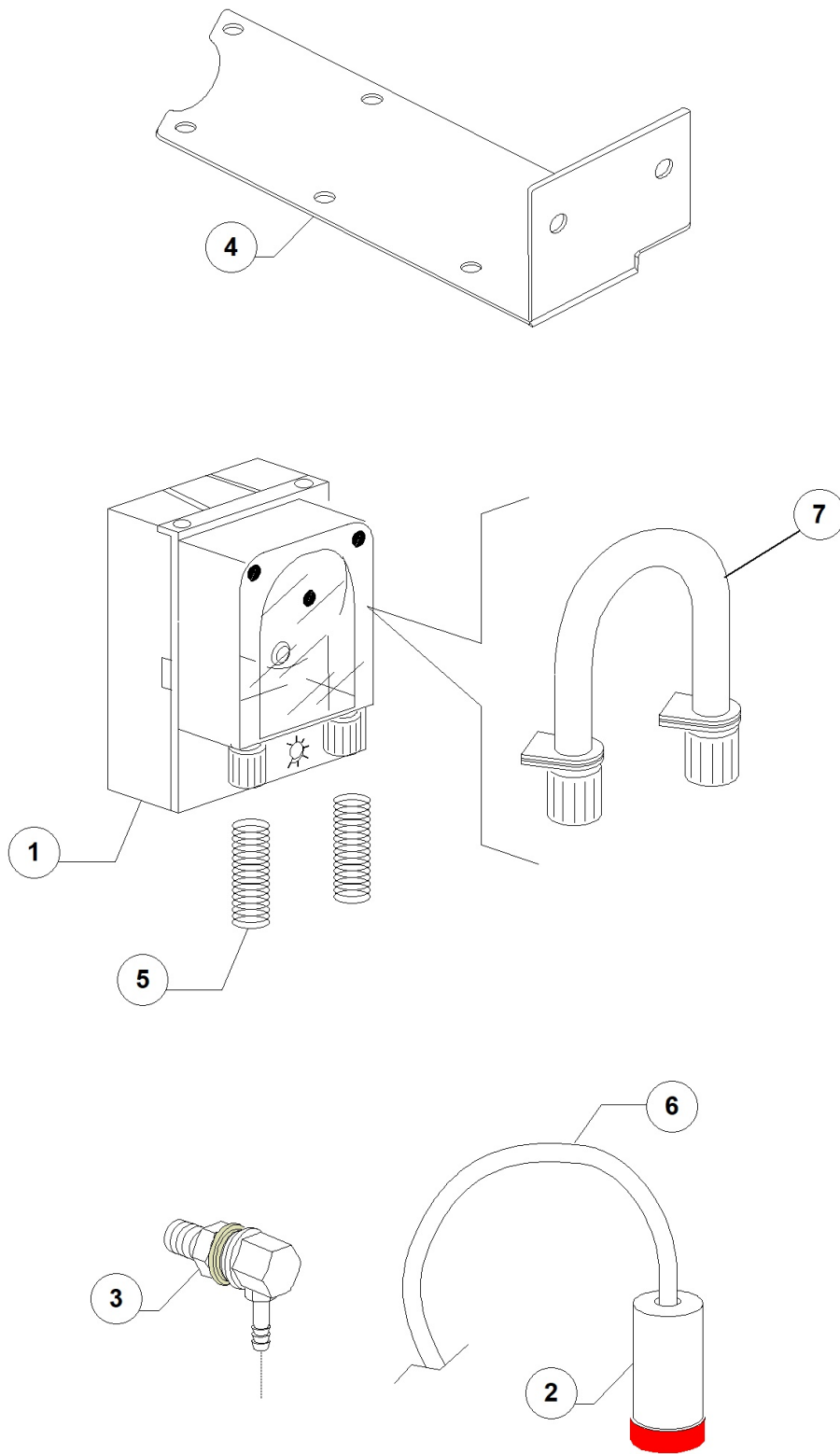
OPTIMA 500 HR 400V3N 50HZ DIHR 2014 - DWN1016890 - Wash pump group - DW107E



OPTIMA 500 HR 400V3N 50HZ DIHR 2014 - DWN1016890 - Wash pump group - DW107E

Pos.	Code	Descrizione	Description
1	DW150914	POMPA HP0.7 TIPO 50 230V.50Hz CON F	PUMP HP0.7 230V/50HZ
2	DW15081	#CONDENSATORE 12.5 uF.	12,5 UF CONDENSER
3	DW25032/A	MANICOTTO ASPIRAZ.GS50 DIAM.60/50	SUCTION PIPE COUPLING
4	DW561017	TUBO MAND.INF.EPDM RINF. T6.1	LOW EPDM DELIVERY PIPE T6.1
5	DW561016	TUBO MAND.SUP.EPDM RINF. T6.1	TOP EPDM DELIVERY PIPE T6.1
6	DW11806	FASCETTE AISI 430 25/40	CLAMP 25/40 AISI 430
7	DW11824	FASCETTA AISI 430 50-70	CLAMP 50/70 AISI 430
8	DW80208	GUARNIZIONE RAMPA LP2 DIAM.95X75X3	RISER GASKET D.95X75X3 (MIN. 2 PCS)
9	DW500605	POZZETTO CON SCARICO LATERALE SX	LEFT SIDE SCRAP TRAY
12	DW15080	PREMISTOPA+CONTROFACCIA	ROTATING SEALS
13	DW7130	#GUARNIZIONE OR POMPA	OR PUMP O-RING (MINIMUM 2 PIECES)
14	DW16182	#CHIOCCIOLA POMPA HP0.5 D.50X30	SCROLL
15	DW15079/F	#GIRANTE POMPA HP0.70 D.91C. GS50	PUMP ROTOR 0,70HP D.91

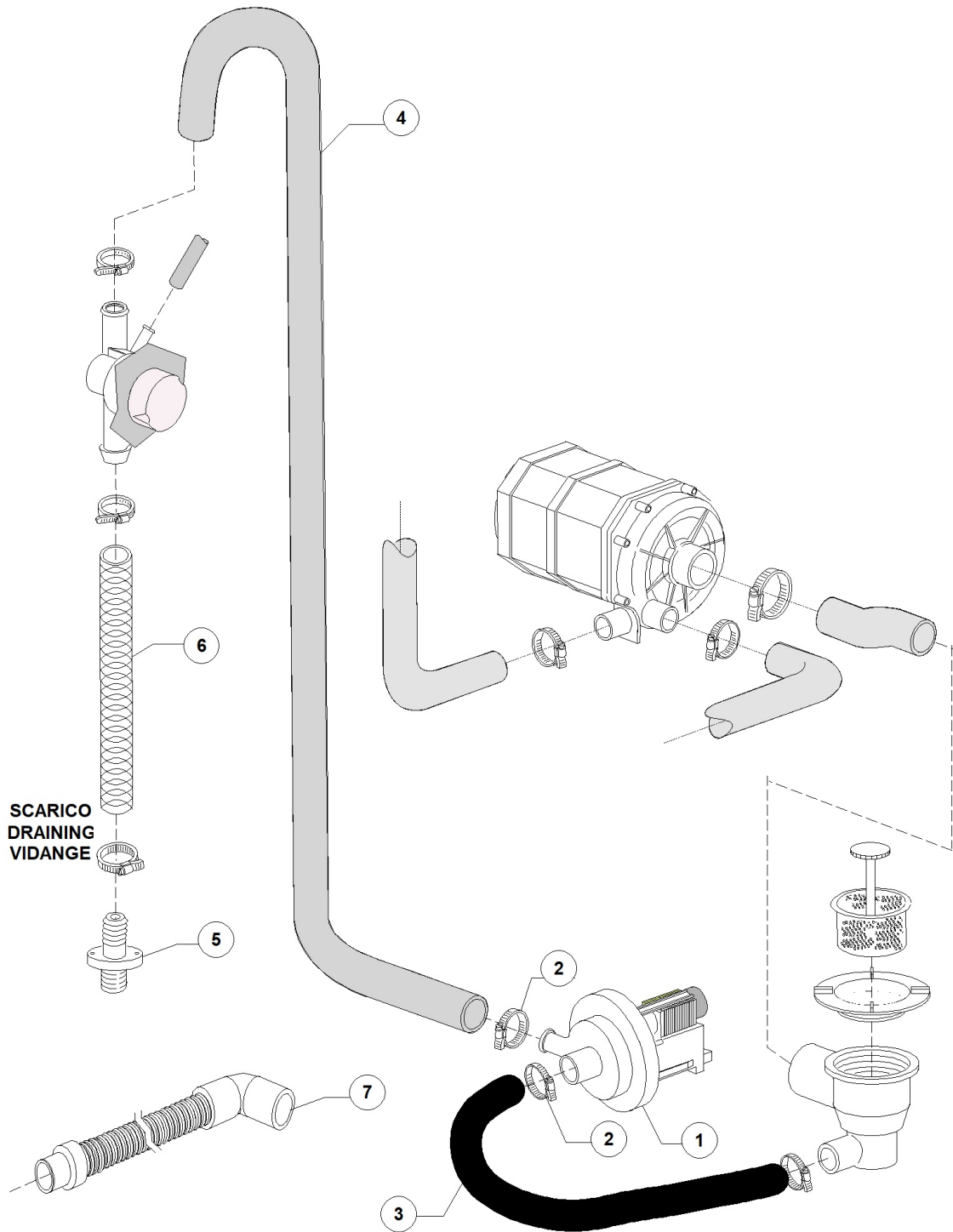
OPTIMA 500 HR 400V3N 50HZ DIHR 2014 - DWN1016890 - Dosing detergent group - DW107E



OPTIMA 500 HR 400V3N 50HZ DIHR 2014 - DWN1016890 - Dosing detergent group - DW107E

Pos.	Code	Descrizione	Description
1	DW15985	DOS.ELETT.DET REGOLABILE 0-3LT/H	DETERGENT DOSING PUMP 0-3L/H
2	DW15058	FILTRINO CON PESO ASPIR. DET/BRIL	SMALL FILTER (MIN. 3 PCS)
3	DW15123	INIETTORE DETER. A GOMITO INOX	S/S DOSING PUMP INJECTOR
5	DW10763	MOLLA D.05 INOX PER TUB. D.6x4 PVC	PIPE S/S SPRING
6	DW14503	TUBO PVC DIAM.6x4 TRASPARENTE	D.6X4 PVC TRANSPARENT HOSE
7	DW15108/E	TUBO TERMOPLASTICO DDE GERMAC	GERMAC DISPENSER THERMOPLASTIC HOSE
7	DW15185	TUBO MEMBRANA DDE SEKO DET.	SEKO DISPENSER THERMOPLASTIC HOSE
7	DW15297	TUBO MEMBRANA DDE SEKO 04/2013	SEKO DISPENSER THERMOPLASTIC HOSE
7	DW15297/T	TUBO TERMOPLASTICO DDE TECNOPRO	TECNOPRO DISPENSER THERMOPLASTIC HOSE
7	DW15985/A	#TUBO TERMOPLASTICO DDE MICRODOS	MICRODOS THERMOPLASTIC PIPE

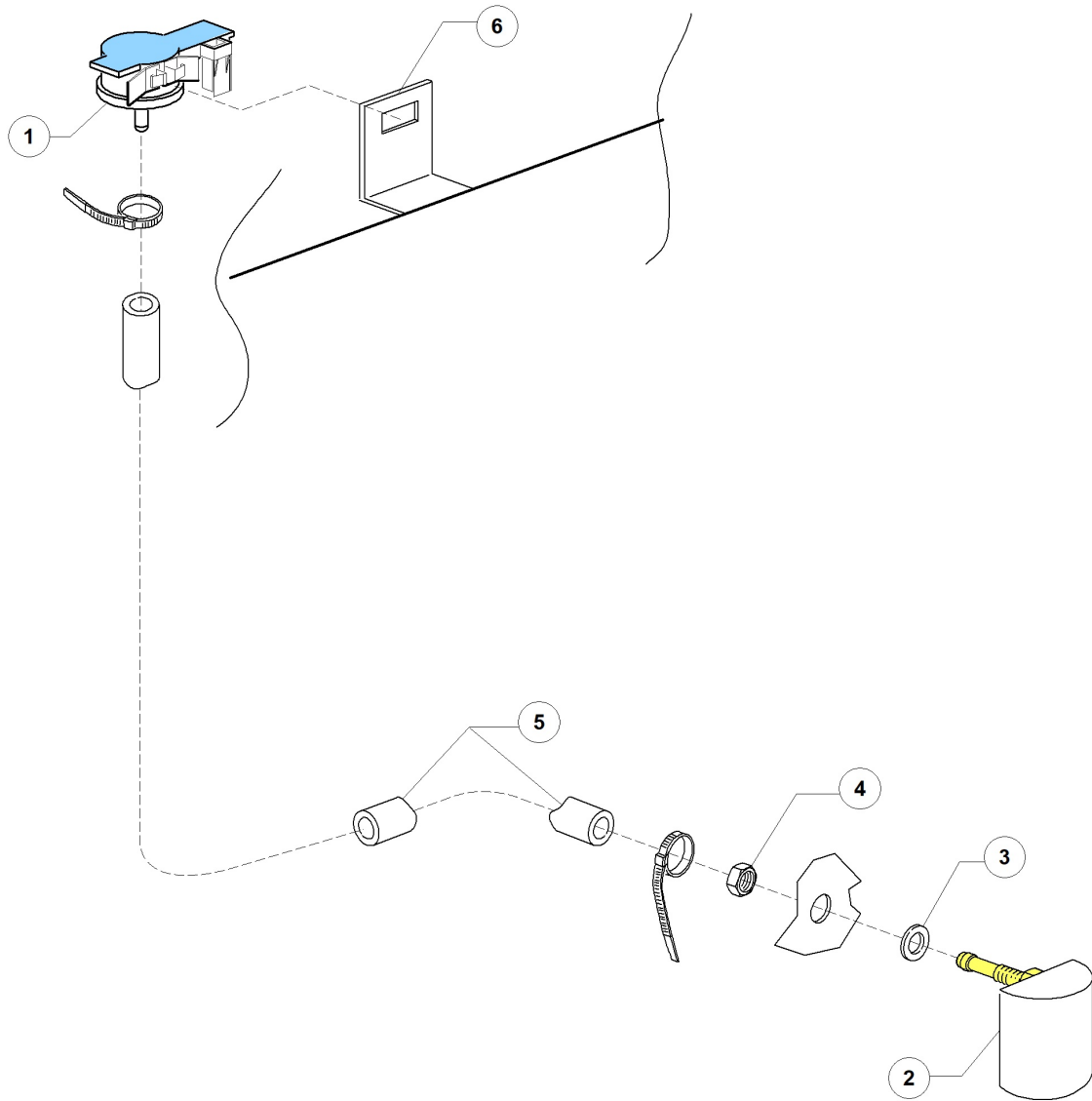
OPTIMA 500 HR 400V3N 50HZ DIHR 2014 - DWN1016890 - Drain pump group - DW107E



OPTIMA 500 HR 400V3N 50HZ DIHR 2014 - DWN1016890 - Drain pump group - DW107E

Pos.	Code	Descrizione	Description
1	DW15101	POMPA SCARICO SINCR. 220/240V 50Hz	DRAIN PUMP 220-240V/50HZ
2	DW11806	FASCETTE AISI 430 25/40	CLAMP 25/40 AISI 430
3	DW18044	TUBO DIAM.28 EPDM LAV.SUP. STAR	D.28 EPDM PIPE
4	DW540206	MANICOTTO EPDM SCARICO TOP40-50	DRAIN PIPE COUPLING
5	DW540207	RACCORDO SCARICO 20-28 TOP	PIPE FITTING 20-28 TOP
6	DW14510	TUBO DIAM.19X26 TRASPARENTE SCARICO TOP	TRANSPARENT HOSE D.19X26 TOP DRAIN
7	DW25031	CANNA SCARICO 1,5 MT 24-28 PIPA	DRAIN HOSE 1,5MT 24-28

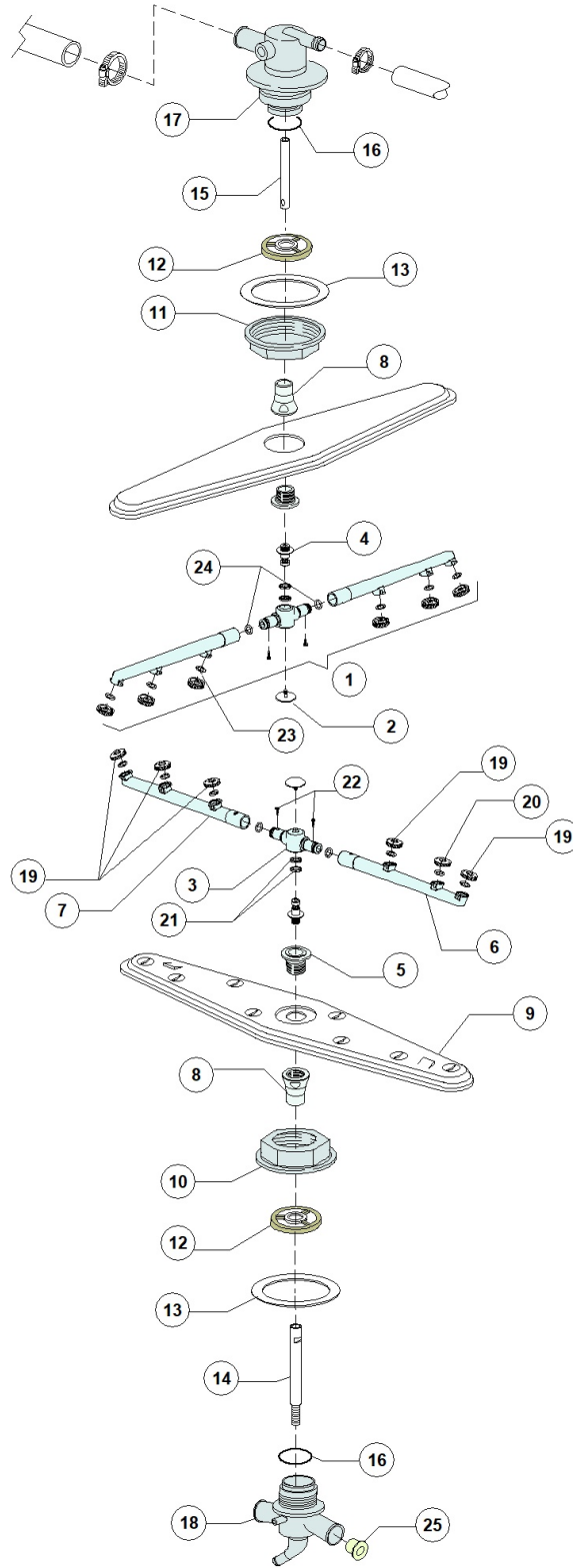
OPTIMA 500 HR 400V3N 50HZ DIHR 2014 - DWN1016890 - Pressure switch group - DW107E



OPTIMA 500 HR 400V3N 50HZ DIHR 2014 - DWN1016890 - Pressure switch group - DW107E

Pos.	Code	Descrizione	Description
1	DW540205	PRESSOSTATO LINEARE 0-30 mbar	PRESSURE SWITCH 0-30
2	DW561053	ASS.GABBIA D'ARIA L45 (Portagomma 6,5)	AIR TRAP ASSEMBLY L45
3	DW13301	GUARNIZ. IN FASIT 202 D14x8x1,5	O-RING ROLMART D14X8X1,5
4	DW11702	DADO M8 INOX UNI5588 DIN934	S/S NUT M8 DIN934 (MIN. 20 PCS)
5	DW14509	TUBO PRESSOSTATO 5X9	5X9 PRESSOSTAT HOSE

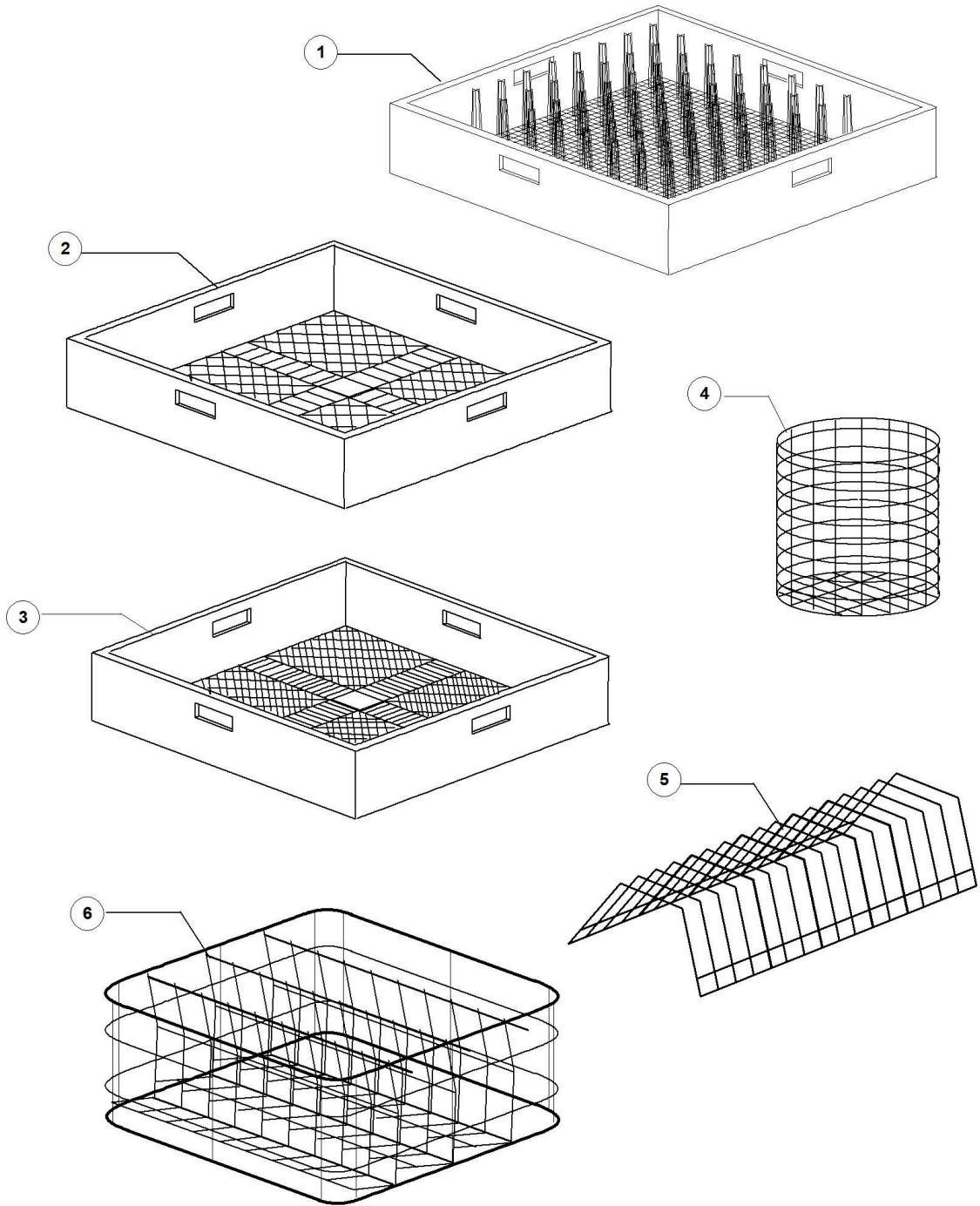
OPTIMA 500 HR 400V3N 50HZ DIHR 2014 - DWN1016890 - Turret group with rotating arms - DW107E



OPTIMA 500 HR 400V3N 50HZ DIHR 2014 - DWN1016890 - Turret group with rotating arms - DW107E

Pos.	Code	Descrizione	Description
1	DW75920	GRUPPO RISC.SUP/INF 2009	UPPER/LOWER RINSE ASSEMBLY 2009
2	DW10652	VITE RISCIAQUO/03	RINSE ARM SCREW
3	DW75920/A	MOZZO PER GIRANTE RISCIAQUO 2009	HUB FOR RINSE ROTOR 2009
4	DW10651	ASSE RISCIAQUO/03	RINSE AXLE 03
5	DW500701	GHIERA GIRANTE PLASTICA 05	PLASTIC RING NUT FOR S/S ROTOR
6	DW75920/S	TUBO RISC. SX GRIGIO 2009	GREY LEFT RINSE ARM 2009
7	DW75920/D	TUBO RISC. DX GRIGIO 2009	GREY RIGHT RINSE ARM 2009
8	DW500702	MOZZO GIRANTE PLASTICA 05	HUB FOR PLASTIC ROTOR 05
9	DW500700	GIRANTE LAVAGGIO INOX 05	S/S WASH ROTOR
10	DW540069	DADO GRIGIO ALTO (18) M45X2.5 TK4-6	TURRET FASTENING NUT
11	DW540093	DADO GRIGIO RIBAS. (12) M45X2.5 TK4-6	TURRET FASTENING NUT
12	DW540076	GUIDA TUBO PER T.4 ACQUA PULITA	CENTERING
13	DW540032	GUARNIZIONE PIANA T.4 D.57X43X1,5	FLAT GASKET D.57X43X1,5 T4.0
14	DW561032	#ASSE RISC.INF.T6.1 ACQ.PUL.GIR.INOX	LOWER RINSE AXLE T6.1 S/S ROTOR
15	DW561034	#ASSE RISC.SUP.T6.1 ACQ.PUL.GIR.INOX	UPPER RINSE AXLE T6.1 S/S ROTOR
16	DW561035	#ANELLO TENUTA MOZZO ACQ.PUL. TK6.1	RING FOR HUB TK6 CLEAN
17	DW561033	TOR.SUP.T6.1 ACQUA PULITA GIR.INOX	WASH ARMS' UPPER SUPPORT T6.1
18	DW561031	TOR.INF.T6.1 ACQUA PULITA GIR.INOX	WASH ARMS' LOWER SUPPORT T6.1
19	DW10371	TESTA UGEL. RISC. 95 APER. GRIG.(MIN 10)	OPENED RINSE NOZZLE (BATCH 10PCS)
20	DW10372	TESTA UGEL.RISC.95 CHIU. GRIGIO (MIN 10)	CLOSED RINSE NOZZLE (BATCH 10PCS)
21	DW75920/B	ANELLI TENUTA MOZZO RISCIAQUO 2009	BAGUE D'ESPACEMENT
22	DW11004	VITE TCB D.8 DENTATA 4X10 SPAX	4X10 TCB D.8 SPAX TOOTHED SCREW
23	DW13002	GUARNIZIONE OR R6 NBR	O-RINGR R6 NBR (MIN. 10 PCS)
24	DW13002	GUARNIZIONE OR R6 NBR	O-RINGR R6 NBR (MIN. 10 PCS)
25	DW12518	#RIDUTT.FLUSSO30X13,5x9PICC.70700131	FLUX REDUCER 30X13,5X9

OPTIMA 500 HR 400V3N 50HZ DIHR 2014 - DWN1016890 - Baskets - DW107E



OPTIMA 500 HR 400V3N 50HZ DIHR 2014 - DWN1016890 - Baskets - DW107E

Pos.	Code	Descrizione	Description
1	DWC40	CESTO PIATTI PLASTICA 50X50	PLASTIC PLATES BASKET 500X500
2	DWC44	CESTO BICCHIERI MAGL.LARGA PLASTICA	500X500 LARGE MESH GLASS BASKET
3	DWC41	CESTO POSATE MAG.STRETTA PLASTICA	CUTLERY BASKET - TIGHT MESH (PLASTIC)
4	DW15060	INSERTO CUCCHIAINI GRANDI DIS.G.060	CUTLERY BASKET

