

**cod.DW110E**

data:07/03/2023

**Catalogo ricambi  
Spare parts catalog  
Catalogue de pièces détachées  
Ersatzteilkatalog  
Catálogo de repuestos  
Catálogo de peças de reposição  
Каталог запасных частей**

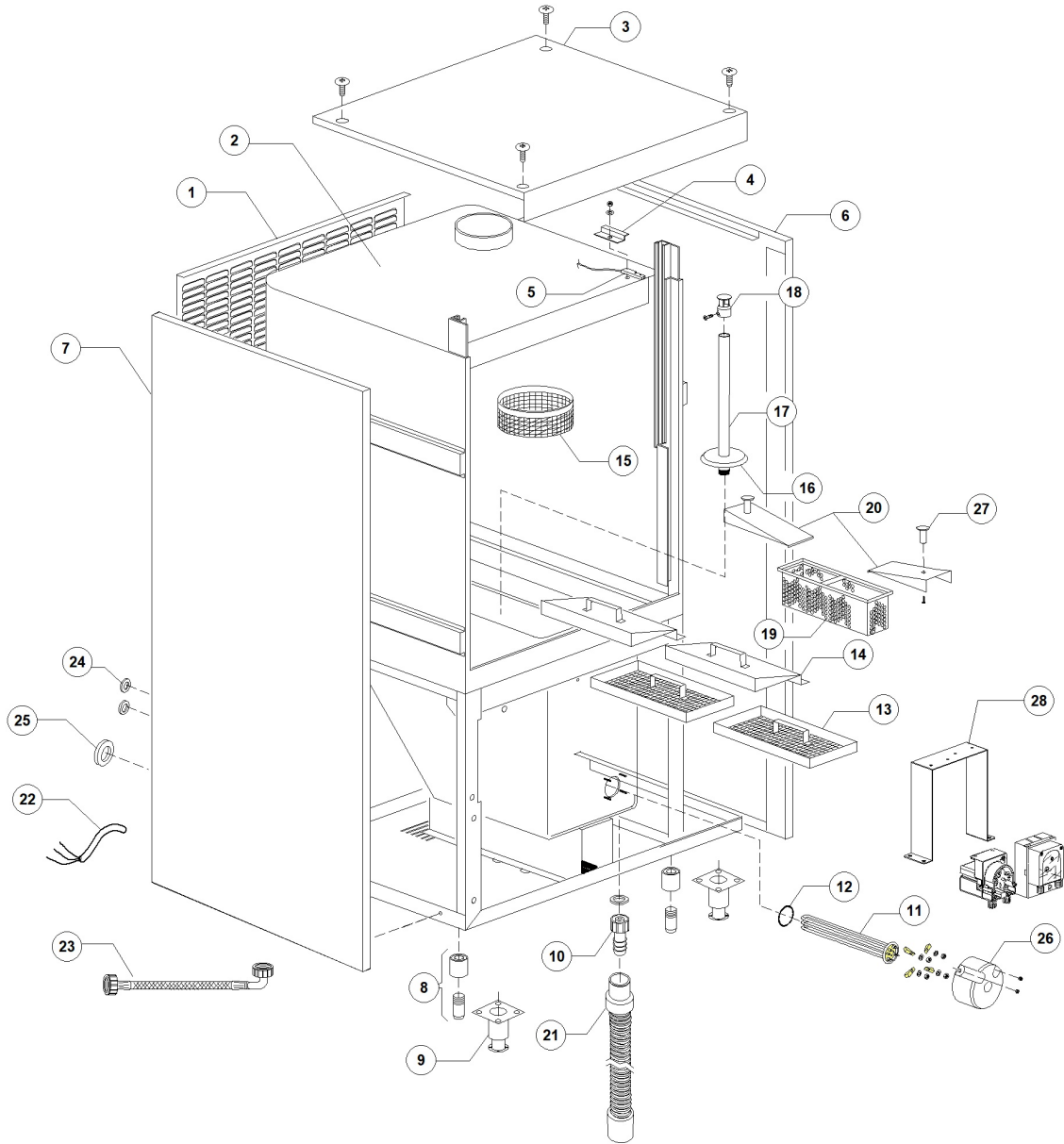
**GRANULES 900 TR PLUS 400V3N 50HZ**



**S/N:DW01015432**



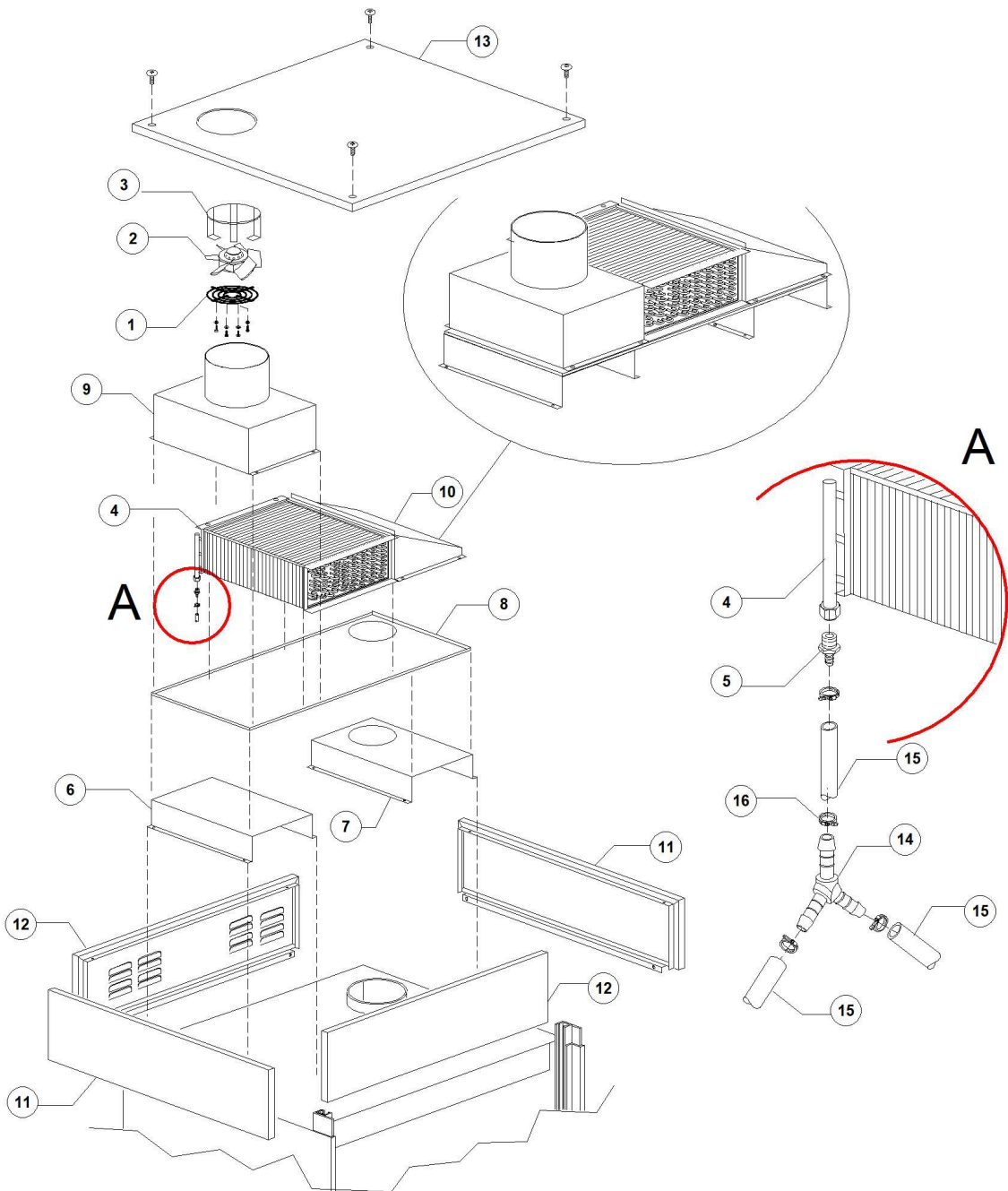
GRANULES 900 TR PLUS 400V3N 50HZ - DWO1015432 - General body parts - DW110E



**GRANULES 900 TR PLUS 400V3N 50HZ - DWO1015432 - General body parts - DW110E**

Pos.	Code	Descrizione	Description
1	DW96003	PIEG. SCHIENALE GR/06 (N)	BACK PANEL GR/06
2	DW96000	ASS.CARROZZERIA+PORTE GR/06	
4	DW3009112	PIEG. SUPPORTO MAGNETE PER PORTA	ECONOMIZER MICROSWITCH SUPPORT
5	DW3003112	REED MICRO PORTA E530	MAGNETIC REED SWITCH
6	DW96001	PIEG. FIANCO LATERALE DX GR/06 (N)	RIGHT SIDE PANEL GR/06
7	DW96002	PIEG. FIANCO LATERALE SX GR/06 (N)	LEFT SIDE PANEL GR/06
8	DW80116	"PIEDINO 2" REG. 112-215 A304"	"ADJUSTABLE FOOT 112-215 2""
10	DW15613/A	"PORTAGOMM.SCARICO 1"1/4X32 DRITTO"	"STRAIGHT HOSE CONNECTOR 1"1/4X32"
11	DW30001011	RESIST.9000/9800W 230/240V 3	9000/9800W 230/240V 3 HEATING ELEM.
12	DW13015	GUARNIZIONE 6225 OR 160 NBR	6225 O-RING 160 NBR
13	DW96006	FILTRO SUPERFICIE GR/06	
14	DW96007	SCIVOLO LAVORO GR/06	
15	DW96119	FILTRO D298 H30 CAMINO GR/06	GR/06 CHIMNEY FILTER D298 H30
16	DW11600002	GUARNIZIONE A FLANGIA T.P.GASTRO12S	FLANGE GASKET G12S
17	DW96124	TUBO TROPPO PIENO GR/06	GR/06 OVERFLOW PIPE
18	DW11600019	#FINALE PER TROPPOPIENO G 12S GRIGIO	OVERFLOW PIPE PLUG
19	DW96008	FILTRO RACCOLTA GRANULI GR/06	
20	DW96009	SCIVOLO RACCOLTA GRANULI GR/06	
21	DW10200112	CANNA SCARICO DIAM.32 GROSSA	DRAIN HOSE D.32
22	DW80200	CAVO ALIMENTAZIONE 5X4X3400	CABLE 5X4X3400
23	DW10726	CANNA CARICO PICC. WRAS m1,5x3/4 EN61770	LOAD PIPE WRAS M1,5x3/4 EN61770
24	DW13323	PASSACAVO IN GOMMA D.13	RUBBER FAIRLEAD D.13 (MIN. 2 PCS)
25	DW13324	PASSACAVO GOMMA D.46X50	RUBBER FAIRLEAD D.46X50
26	DW75311	CUFFIOTTO PER RESISTENZA 26/03/97	HEATING ELEMENT COVER
27	DW540039	MANIGLIA PER FILTRO SUPERFICE T.4	SURFACE FILTER HANDLE

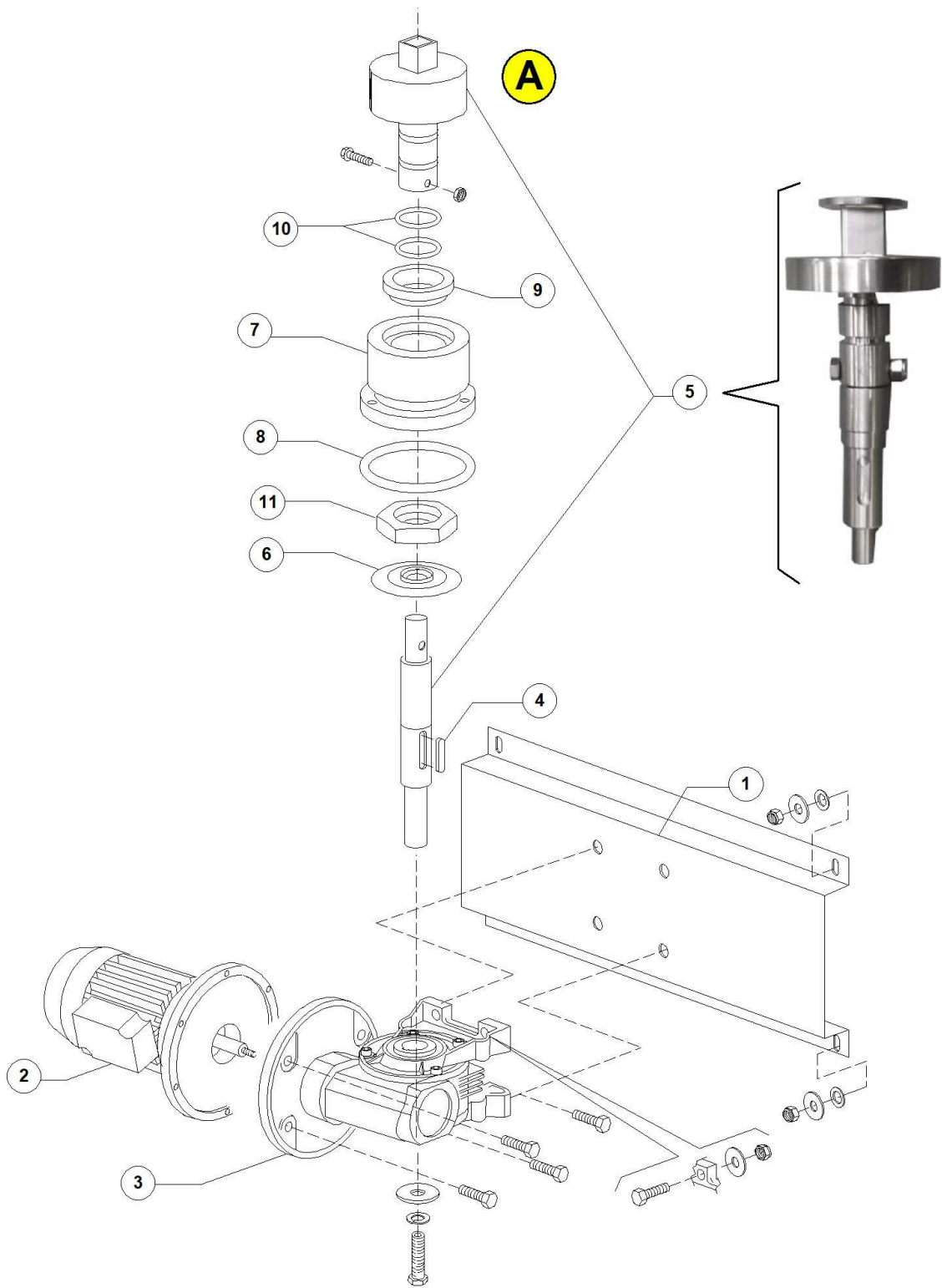
GRANULES 900 TR PLUS 400V3N 50HZ - DWO1015432 - Heat recovery - DW110E



**GRANULES 900 TR PLUS 400V3N 50HZ - DWO1015432 - Heat recovery - DW110E**

Pos.	Code	Descrizione	Description
1	DW96121	GRIGLIA SUPPORTO MOTOVENTILATORE	MOTOR FAN SUPPORT GRID
2	DW96120	MOTOVENTILATORE 230/400 V 50-60 HZ	230/400V 50/60HZ FAN MOTOR
3	DW96014	SUP.VENTILATORE E PROT.CAMINO GR/06	
4	DW96519	BATTERIA RECUPERATORE GRANULI - LP 2011	GRANULES HEAT RECOVERY
5	DW12023	PORTAGOMMA M 1/2 diam 12 PG260	HOSE CONNECTOR 10 M1/2 PG260
6	DW96022	OMEGA MANDATA TR GR 06	
7	DW96021	OMEGA ASPIRAZIONE TR GR 06	
8	DW96016	ASSIEME FONDO GR	
9	DW96019	ASSIEME CARTER SUPERIORE TR GR	
10	DW96023	CARTER ASPIRAZIONE TR GR	
11	DW96024	FIANCO SX-DX TR GR06	HEAT RECOVERY RIGHT/LEFT PANEL GR/06
12	DW96026	FIANCO ANTERIORE-POSTERIORE TR GR06	HEAT RECOVERY FRONT/REAR PANEL GR/06
13	DW96025	TETTO TR GR 06	TOP COVER PANEL
14	DW540090	DERIV. 3VIE Y D10 PLASTICA	PLASTIC Y-PIECE D.10
15	DW2907352	TUBO GOMMA PVC WRAS BT	PVC WRAS RUBBER HOSE
16	DW11800	FASCETTA AISI 430 8/16 LINER LUNGO	CLAMP 8/16 AISI 430

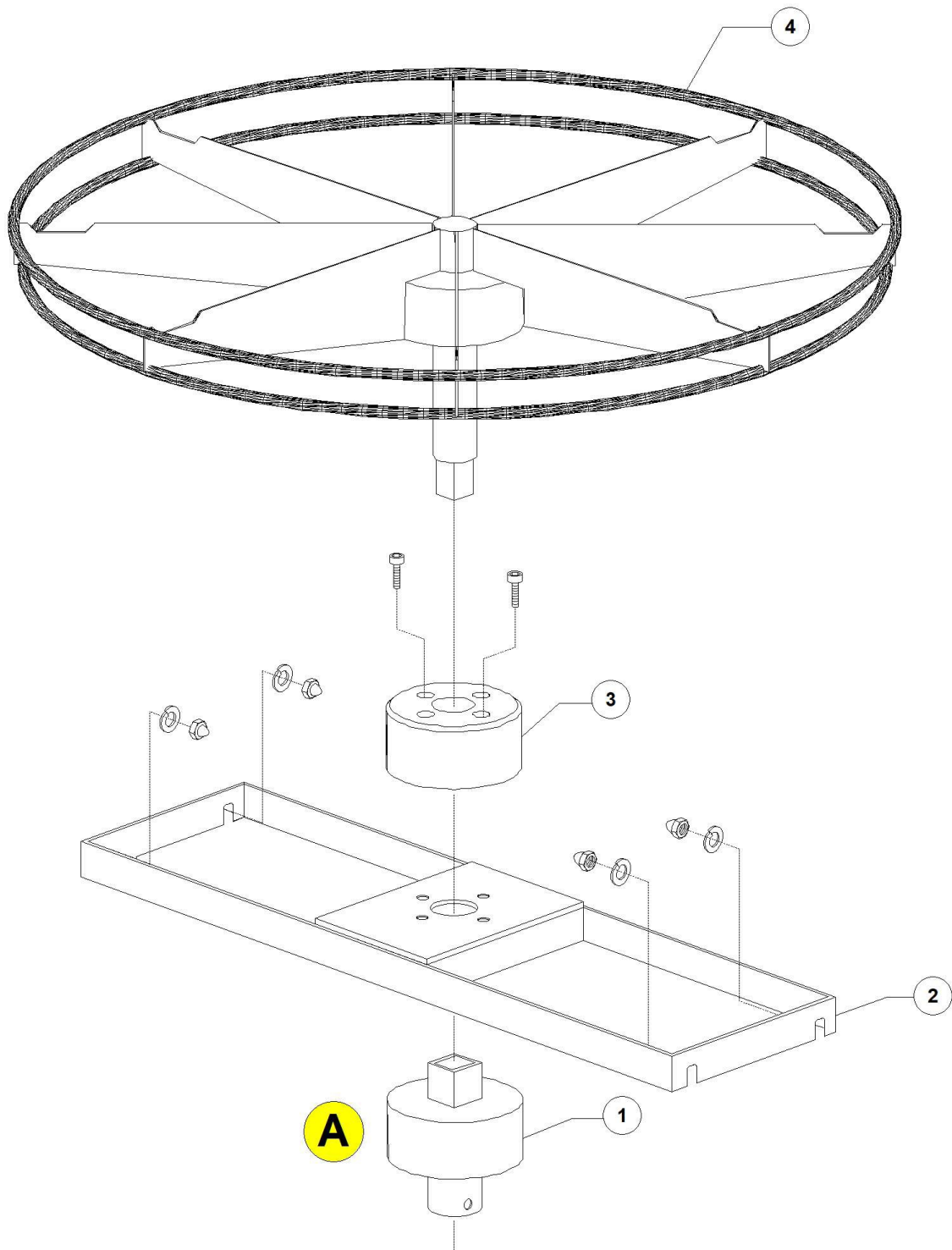
GRANULES 900 TR PLUS 400V3N 50HZ - DWO1015432 - Motorgear components - DW110E



**GRANULES 900 TR PLUS 400V3N 50HZ - DWO1015432 - Motorgear components - DW110E**

Pos.	Code	Descrizione	Description
1	DW96010	OMEGA SUPPORTO MOTORIDUTTORE GR/06	
2	DW96128	MOTORE 12P 230/400V 50Hz W80 GR/06	MOTOR 12P 230/400V 50HZ
3	DW3000211	RIDUT. TRAINO LIMIT. 1:80 SINISTRO	L 1:80 REDUCTION GEAR CONVEYOR MACHINES
4	DW2001046	CHIAVETTA 8X7X30 INOX	S/S FLAT KEY 8X7X30
5	DW96122	ASSE ROTAZIONE CESTO GR/06	GR/06 ROTATION BASKET AXIS
6	DW3004161	DISCO ANTIGOCCIA PER ASSE MOTORIDUT	MOTOR GEAR SHAFT PROTECTION DISK
7	DW3004132	BOCCOLA ALBERO RIDUT. AX151-GRANULI	ECCENTRIC SHAFT BUSH
8	DW13015	GUARNIZIONE 6225 OR 160 NBR	6225 O-RING 160 NBR
9	DW13024	PARAOLIO DEM40 TC30X42X7 MOLLA INOX	OIL SPLASH GUARD DEM 40 TC 30X42X7
10	DW13023	GUARNIZ. OR 131 (4093)	O-RING 131 (4093) GASKET
11	DW3004183	DADO PER BOCCOLA COD.3004131-32	FERRULE FASTENING NUT

GRANULES 900 TR PLUS 400V3N 50HZ - DWO1015432 - Basket rotating system - DW110E





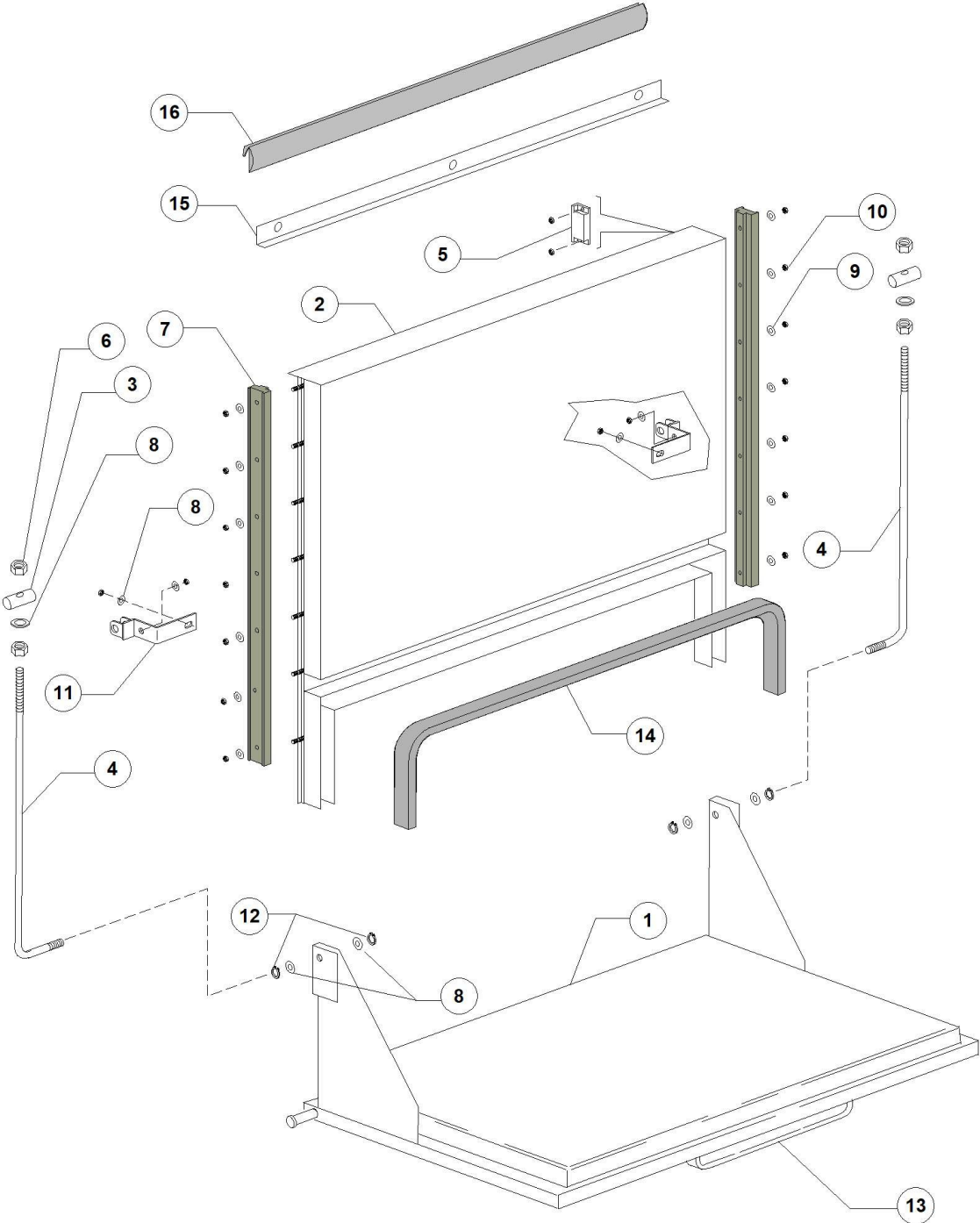
---

---

**GRANULES 900 TR PLUS 400V3N 50HZ - DWO1015432 - Basket rotating system - DW110E**

<b>Pos.</b>	<b>Code</b>	<b>Descrizione</b>	<b>Description</b>
1	DW96122	ASSE ROTAZIONE CESTO GR/06	GR/06 ROTATION BASKET AXIS
3	DW96123	BOCCOLA ROTAZIONE SUPP.CESTO GR/06	BASKET SUPPORT ROTATION BUSH
4	DW96012	RALLA SUPPORTO CESTO GR/06	

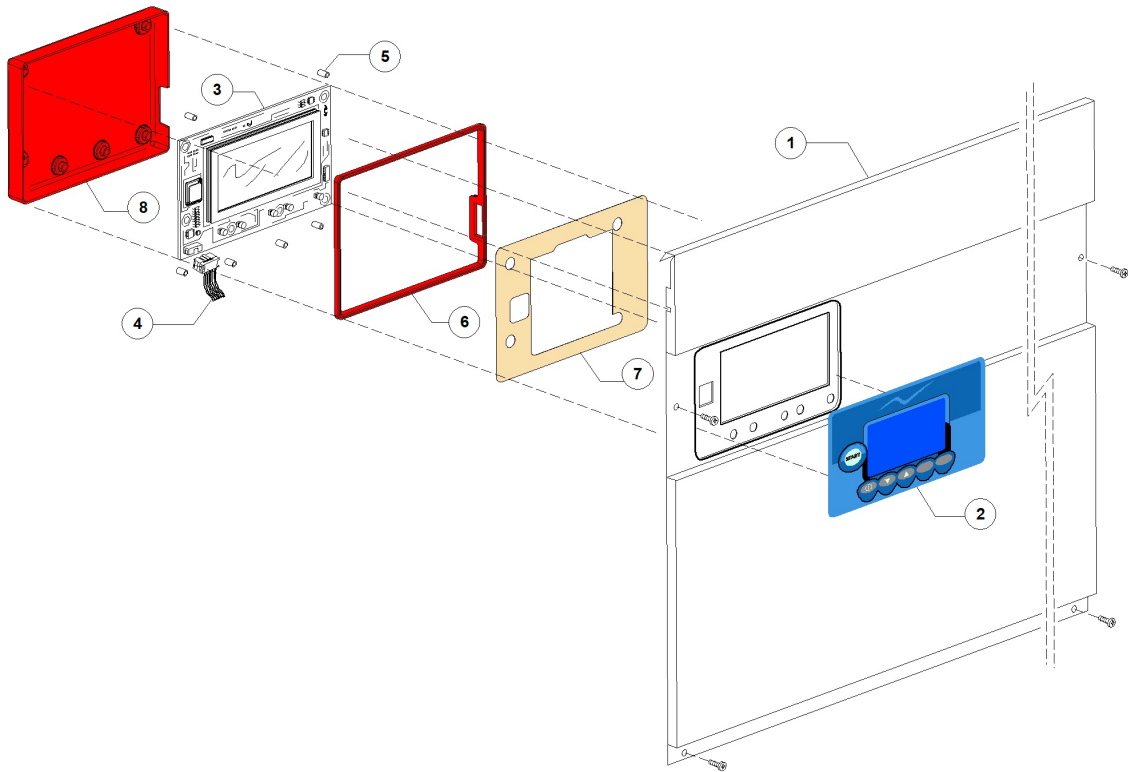
GRANULES 900 TR PLUS 400V3N 50HZ - DWO1015432 - Door - DW110E



**GRANULES 900 TR PLUS 400V3N 50HZ - DWO1015432 - Door - DW110E**

Pos.	Code	Descrizione	Description
1	DW96000/A	#PORTA INFERIORE COMPLETA GR/06	
2	DW96000/B	#PORTA SUPERIORE COMPLETA GR/06	
3	DW22219	CILINDRETTO PER PORTA LP	SMALL DOOR CYLINDERS
4	DW22220	ASTA PORTA LP1/LP2/LP3/P2S/P3S/GR06	DOOR ROD
5	DW80232	MAGNETE PER REED PER LP	REED MAGNETIC UNIC
6	DW11721	DADO M6 AUTOBL.INOX UNI 7473 DIN982	S/S SELF-LOCKING NUT M6 DIN982 (MIN. 10
7	DW96129	PATTINO PORTA SUPERIORE GR/06	GR/06 DOOR SLIDING GUIDE
8	DW11177	RONDELLA 6X12 INOX PIANA UNI6592 DIN125	6X12 S/S PLAIN WASHER UNI6592 DIN125
9	DW11176	RONDELLA 5X10 PIANA INOX UNI6592 DIN125	5X10 S/S PLAIN WASHER UNI6592 DIN125
10	DW11169	DADO M5 AUTOBLOCCANTE INOX DIN 982	S/S SELF-LOCKING NUT M5 DIN982
11	DW90916	#STAFFA MOV.PORTA SUP.DX/SX LP1 S-S8	DOOR MOVEMENT SUPPORT
12	DW11815	SEEGER DIAM.8 INOX UNI7435	SNAP RING D.8 S/S
13	DW80751	MANIGLIA INOX IN ELLITTICO 40x20 INT.470	
14	DW96134	GUARNIZIONE TRA PORTA GR/06	DOOR SEAL GR/06
15	DW96015	PROFILO SUPPORTO GUARNIZIONE GR/06	
16	DW96132	GUARNIZIONE PORTA GR/06 ART.B2616	GR/06 DOOR SEAL

**GRANULES 900 TR PLUS 400V3N 50HZ - DWO1015432 - Control panel and switches - DW110E**



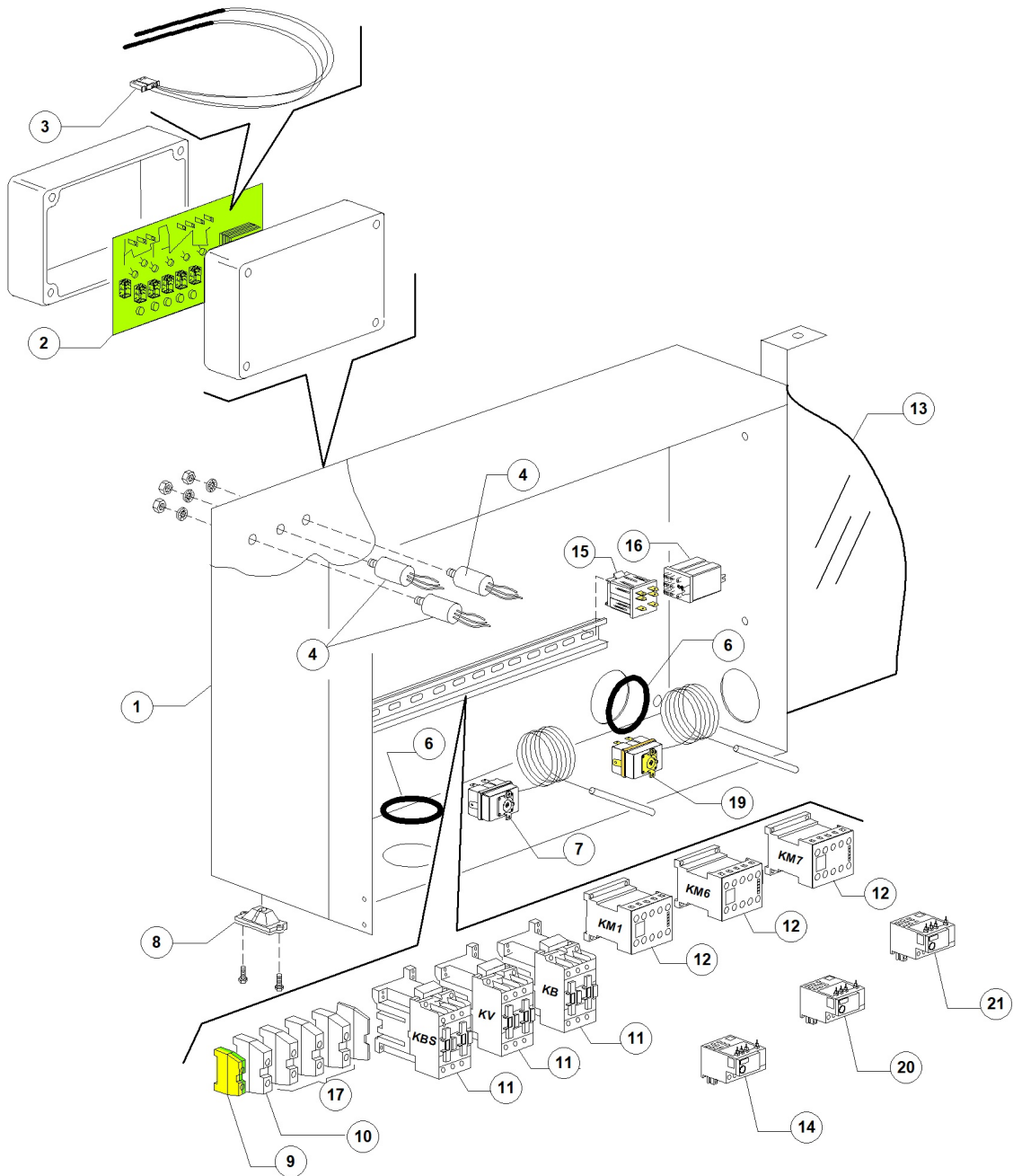
---

---

**GRANULES 900 TR PLUS 400V3N 50HZ - DWO1015432 - Control panel and switches - DW110E**

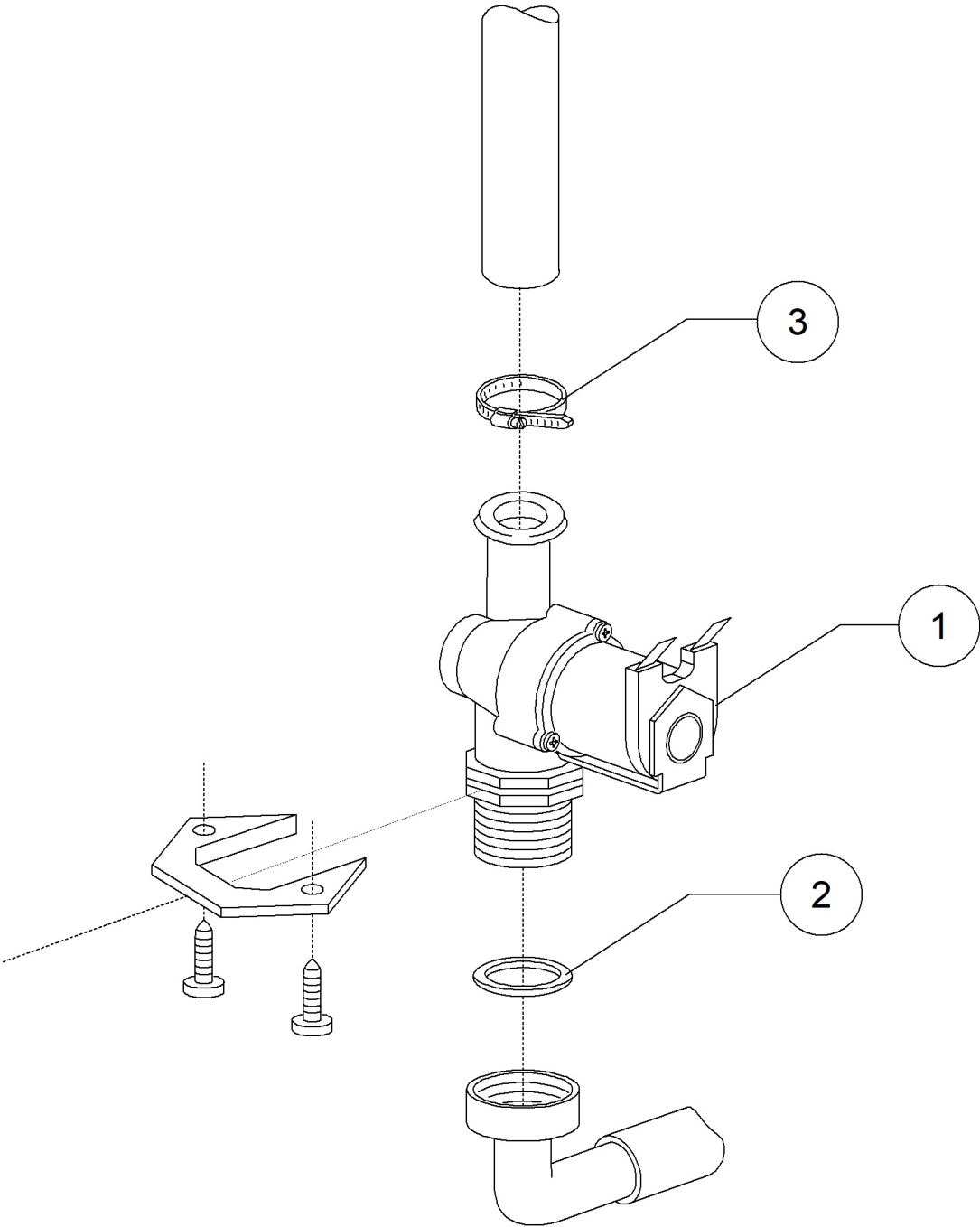
Pos.	Code	Descrizione	Description
1	DW96027/A	SOTTOP.+PAN.COM. GR/06 2011 DIHR grande	
2	DW96704	MOSTR.TAST.MEMBR.DIHR DISPLAY 240X160	SELF-ADHESIVE SILK-SCREEN PRINTED PLATE
3	DW50650	TASTIERA CON DISPLAY 240X160 VERS.09	KEY BOARD WITH DISPLAY 240X160 VERS.09
4	DW50651	"PIATTINA MULTIFILO "F16p" L1000"	RIBBON CABLE F16p L1000
5	DW50561	DIST. SCHEDE ELETTR. 2009 D.8X10	MAINBOARD SPACER D.8X10
6	DW50650/B	GUARNIZIONE PER SCATOLA 50650/A	PROTECTION BOX GASKET DW50650/A
7	DW96716	PROTEZ. ISOLANTE ADES. DISPLAY 240X160	PUSH BUTTON PANEL INSULATING PROTECTION
8	DW50650/A	SCATOLA PROT. SCHEDA 50650 (168X122X19)	ELECTRONIC BOARD PROTECTION BOX 50650

GRANULES 900 TR PLUS 400V3N 50HZ - DWO1015432 - Electric control components - DW110E



**GRANULES 900 TR PLUS 400V3N 50HZ - DWO1015432 - Electric control components - DW110E**

Pos.	Code	Descrizione	Description
1	DW91001	PORTACOMPONENTI P2S-P3S-P4S8-GR/06-GR/09	ELECTRIC COMPONENTS PANEL POT/GRANULES
2	DW96710	SCHEDA MADRE GRANULI GR/09 (BL)	
3	DW50562	SONDA TERMOSTATO SCHEDA DIHRECO2	THERMOSTAT PROBE DIHRECO2
4	DW15149	FILTRO ANTIDIS.F3 (CX0.47MF)	LOW NOISE FILTER F3 (CX0.47MF)
6	DW13324	PASSACAVO GOMMA D.46X50	RUBBER FAIRLEAD D.46X50
7	DW2000430	TERMOSTATO DI SICUR. 110 1500PVC	SAFETY THERMOSTAT 110 1500PVC
8	DW15065/A	FISSACAVO PER VITI AUTOF (NR.2x11007)	CABLE-FASTENER WITH SCREW
9	DW3006173	MORSETTO 16mmqSL-16 GIALLO-VERDE	TERMINAL 16mmq YELLOW/GREEN
10	DW3006155	MORSETTO NEUTRO 16mmq BLU	TERMINAL 16mmq BLEU
11	DW10300050	TELERUTT. 25A/12A 4NA 230V 50-60HZ	CONTACTOR 25A/12A 4NA 230V 50-60HZ
12	DW15316	#TELER.230V 50/60Hz 4C AC3(DARE DW15086)	CONTACTOR 230V 50/60Hz 4C AC3(9A)
14	DW96713	RELE TERMICO 7,6-10 A ABB	
16	DW560301	RELE'FINDER 230V 50/60Hz GUIDA DIN	RELAY 230V 50/60Hz DIN RAIL
17	DW3006082	MORSETTO 16mmqSL-16	TERMINAL 16mmq
19	DW3072158	TERMOSTATO DI SICUR. 90 1500PVC	SAFETY THERMOSTAT 90 1500PVC
20	DW96711	RELE TERMICO 1,0-1,3A ABB	
21	DW96712	RELE TERMICO 0,31-0,41A ABB	





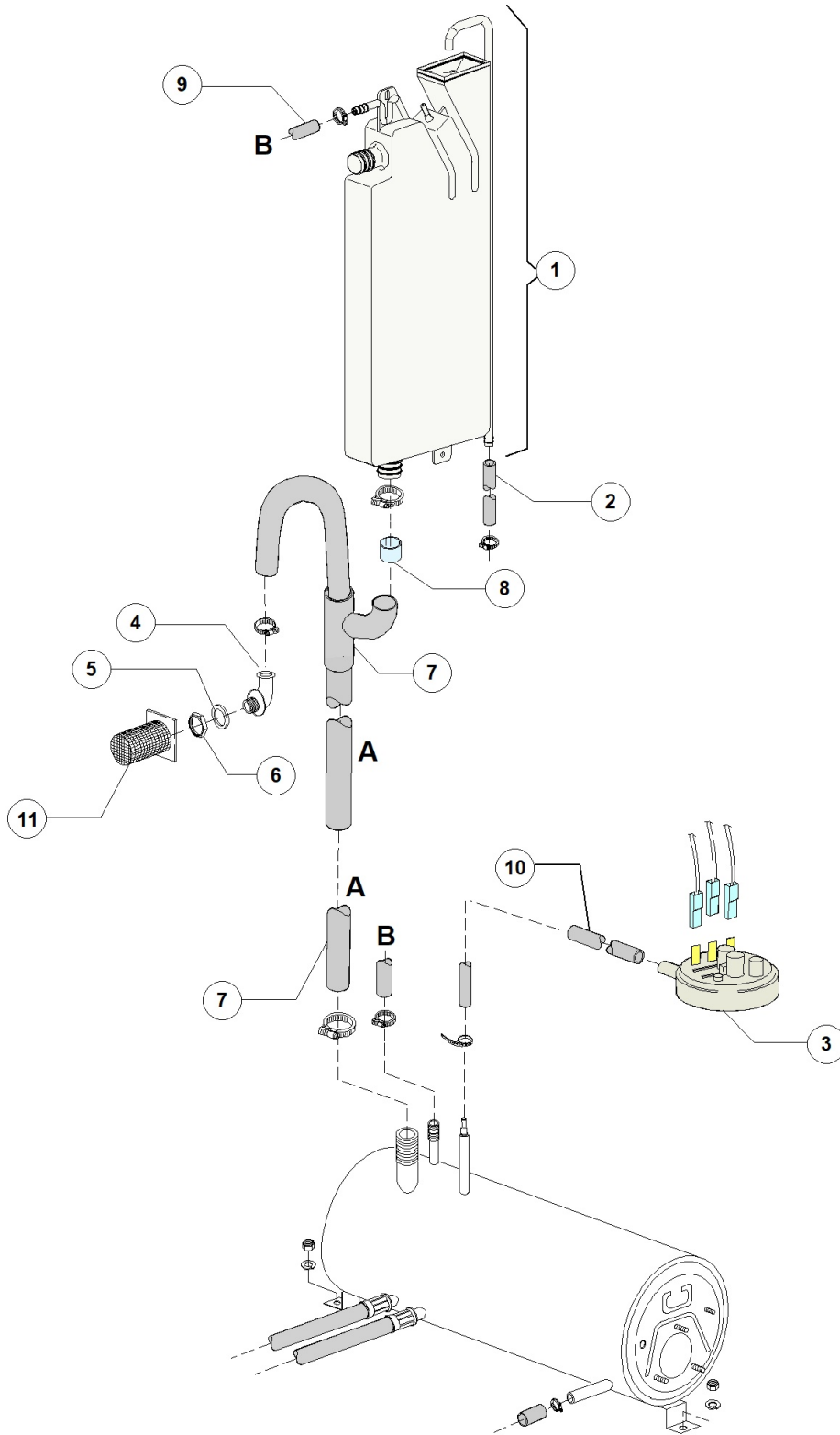
---

---

**GRANULES 900 TR PLUS 400V3N 50HZ - DWO1015432 - Solenoid valve group - DW110E**

Pos.	Code	Descrizione	Description
1	DW10703	ELETTROV. SING. H20 230V DIS.LS036	SINGLE SOLENOID VALVE H20 230V
2	DW13307	GUARNIZ. 3/4 CARICO H20 DIS.LS061	GUARNIZ. 3/4 CARICO H20 DIS.LS061
3	DW11807	FASCETTE AISI 430 12/22	CLAMP 12/22 AISI 430

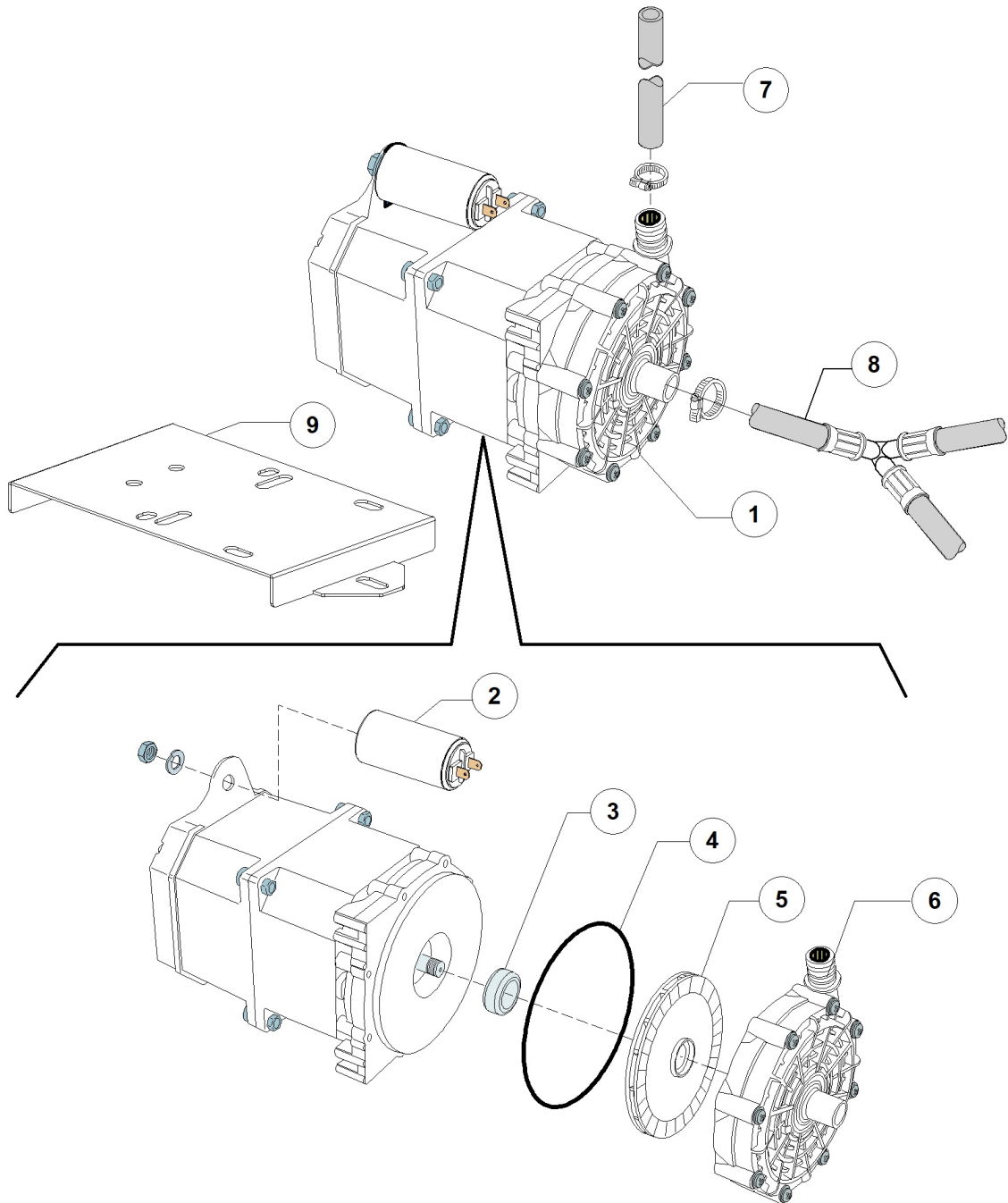
GRANULES 900 TR PLUS 400V3N 50HZ - DWO1015432 - Break Tank - DW110E



**GRANULES 900 TR PLUS 400V3N 50HZ - DWO1015432 - Break Tank - DW110E**

Pos.	Code	Descrizione	Description
1	DW15720	ASSIEME BREAK TANK 3.5	BREAK TANK ASSEMBLY 3.5LT
2	DW2907352	TUBO GOMMA PVC WRAS BT	PVC WRAS RUBBER HOSE
3	DW10706/A	"PRESSOSTATO "EL." 46-26"	PRESSURE SWITCH 46-26
4	DW10701	GOMITO SCARICO DIS.LS035	DRAIN ELBOW
5	DW13305	GUARN.GOM.SCARICO 44x32x3 DIS.LS061	O RING FOR DRAIN ELBOW 44x32x3 DIS.LS061
6	DW11701/A	DADO INOX PER PIL. SCAR.	S/S NUT
7	DW91112	MAN.CARICO/SICUREZZA P2S-P3S-P4S8	LOADING/SAFETY PIPES ASSEMBLY
8	DW12533	RINFORZO COLLARE USCITA BREAK TANK	BREAK TANK OUTLET COLLAR REINFORCEMENT
9	DW2907351	TUBO GOMMA EPDM 11,5X19	11,5X19 EPDM RUBBER HOSE
10	DW14506	TUBO GOMMA DIAM 9,5X16 EPDM	9,5X16 EPDM RUBBER HOSE
11	DW10914	FILTRO POMPA COMPLETO	S/S FILTER

GRANULES 900 TR PLUS 400V3N 50HZ - DWO1015432 - Rinsing pump / Booster pump - DW110E



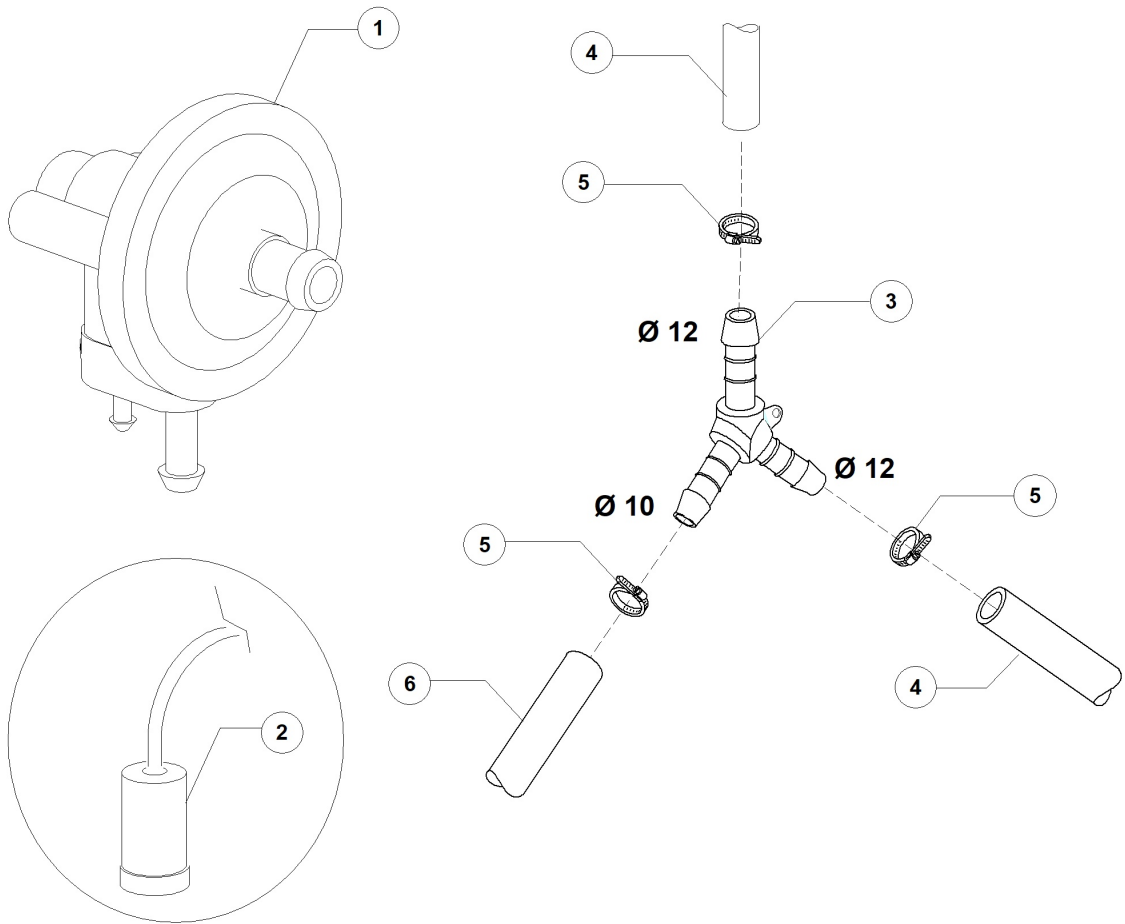
---

---

**GRANULES 900 TR PLUS 400V3N 50HZ - DWO1015432 - Rinsing pump / Booster pump - DW110E**

Pos.	Code	Descrizione	Description
1	DW15100/DO	POMPA RISCIAQUO 220-240/50 (PLUS)	RINSE PUMP 220-240V/50HZ (PLUS)
2	DW16043	#CONDENSATORE POMPA uf8	uf8 CONDENSER
3	DW15100/S	TENUTE ROTANTI EPDM(15100/DO)	EPDM ROTARY SEAL (15100/DO)
4	DW15100/T	OR EPDM(15100/DO)	O-RING EPDM (15100/DO)
5	DW15100/U	#GIRANTE 90X2.5 (15100/DO)	PUMP ROTOR 90X2.5 (DW15100/DO)
6	DW15100/V	#CHIOCCIOLA ANTE. (15100/DO)	SCROLL FOR PUMP 15100/DO
7	DW2907351	TUBO GOMMA EPDM 11,5X19	11,5X19 EPDM RUBBER HOSE
8	DW91111	ASS.TUBI ASPI. D.12 P2S-P3S-P4S8	
9	DW23235	STAFFA SUPP. POMPA A.P.	BOOSTER PUMP SUPPORT

GRANULES 900 TR PLUS 400V3N 50HZ - DWO1015432 - Rinse aid dispenser group - DW110E



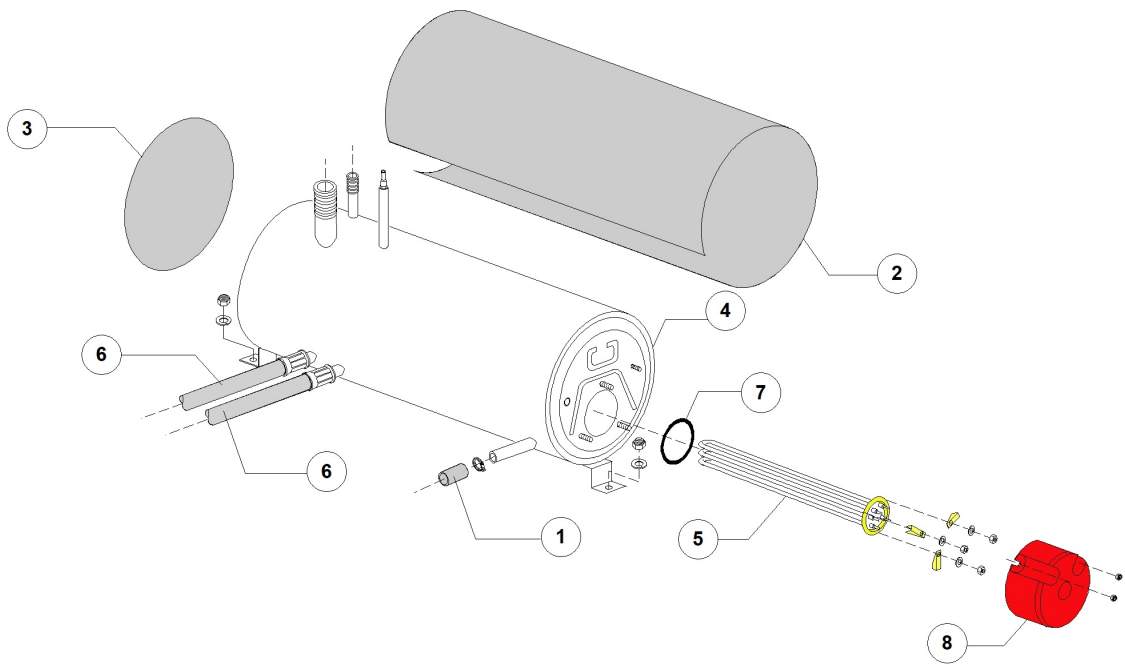
---

---

**GRANULES 900 TR PLUS 400V3N 50HZ - DWO1015432 - Rinse aid dispenser group - DW110E**

Pos.	Code	Descrizione	Description
1	DW10799/G	DOSATORE BRILLANTANTE	RINSE AID DOSING PUMP
2	DW15058	FILTRINO CON PESO ASPIR. DET/BRIL	SMALL FILTER (MIN. 3 PCS)
3	DW540105	DERIV. 3VIE Y D.10-12-12 (DOSATORE)	Y-PIECE D.10-12-12
4	DW2907351	TUBO GOMMA EPDM 11,5X19	11,5X19 EPDM RUBBER HOSE
5	DW11807	FASCETTE AISI 430 12/22	CLAMP 12/22 AISI 430

GRANULES 900 TR PLUS 400V3N 50HZ - DWO1015432 - Boiler group - DW110E

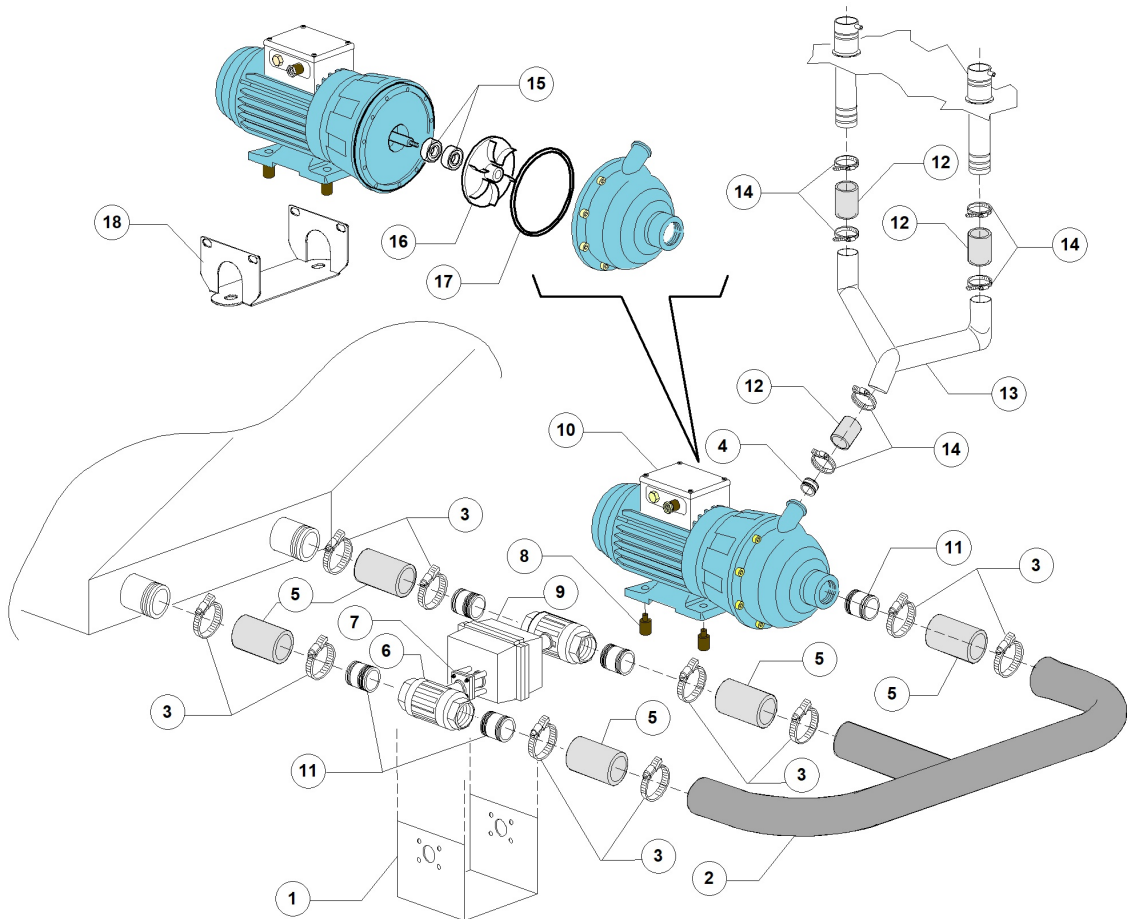




**GRANULES 900 TR PLUS 400V3N 50HZ - DWO1015432 - Boiler group - DW110E**

Pos.	Code	Descrizione	Description
1	DW10200293	TUBO EPDM 8X15 PER DOSATORE	8X15 EPDM PIPE
2	DW91116	COIBENTE BOILER (91104) 600X680	BOILER INSULATING 600X680
3	DW91115	DISCO IN ESPANSOLENE AUTOESTING.D.190X3	INSULATING DISK D.190
4	DW91104	BOILER ATMOSFERICO D190x680 BA(AISI 316)	ATMOSPHERIC BOILER D190x680 BA(AISI 316)
5	DW30001011	RESIST.9000/9800W 230/240V 3	9000/9800W 230/240V 3 HEATING ELEM.
6	DW91111	ASS.TUBI ASPI. D.12 P2S-P3S-P4S8	
7	DW13015	GUARNIZIONE 6225 OR 160 NBR	6225 O-RING 160 NBR
8	DW75311	CUFFIOTTO PER RESISTENZA 26/03/97	HEATING ELEMENT COVER

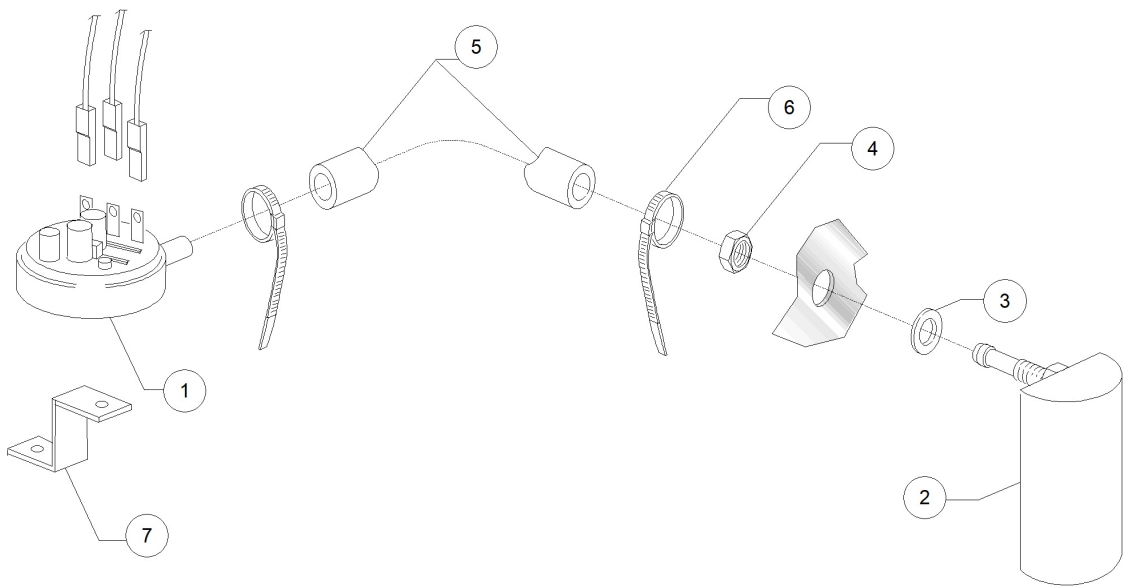
GRANULES 900 TR PLUS 400V3N 50HZ - DWO1015432 - Wash pump group - DW110E



**GRANULES 900 TR PLUS 400V3N 50HZ - DWO1015432 - Wash pump group - DW110E**

Pos.	Code	Descrizione	Description
1	DW96013	SUPPORTO GRUPPO VALVOLE GR/06	
2	DW96111	COLLETORE ASPIRAZIONE GR/06	
3	DW2902491	FASCETTA AISI-430 60/80	CLAMP 60/80 AISI 430
4	DW96107	"TRONCHETTO INOX 1"1/2 X50"	
5	DW96131	TUBO YORK DIAM.60 X 90	
6	DW96108	"VALVOLA UNIVERSAL 2" 2VIE INOX"	
7	DW96110	#GIUNTO COLL.VALVOLA-SERVOCOMANDO	
8	DW96112	ANTIVIBRANTI M-F D50 H30	
9	DW96109	SERVOCOM. 4VS1354400+GIUNTO RFGIU1354400	
10	DW96113	POMPA 230/400V 50Hz 3KW	PUMP 3KW 230/400V3/50HZ
11	DW96106	"TRONCHETTO INOX 2" CON CANALINI"	
12	DW96130	TUBO YORK DIAM.50 X 100	
13	DW96114	COLLETORE MANDATA GR/06	
14	DW11824	FASCETTA AISI 430 50-70	CLAMP 50/70 AISI 430
15	DW96113/T	TENUTE ROTANTI POMPA 3KW GR/06	ROTATING SEALS
16	DW96113/G	GIRANTE POMPA 3KW GR/06	PUMP ROTOR
17	DW96113/O	GUARNIZIONE CHIOCCIOLA POMPA 3KW GR/06	PUMP ROTOR GASKET

**GRANULES 900 TR PLUS 400V3N 50HZ - DWO1015432 - Pressure switch group - DW110E**



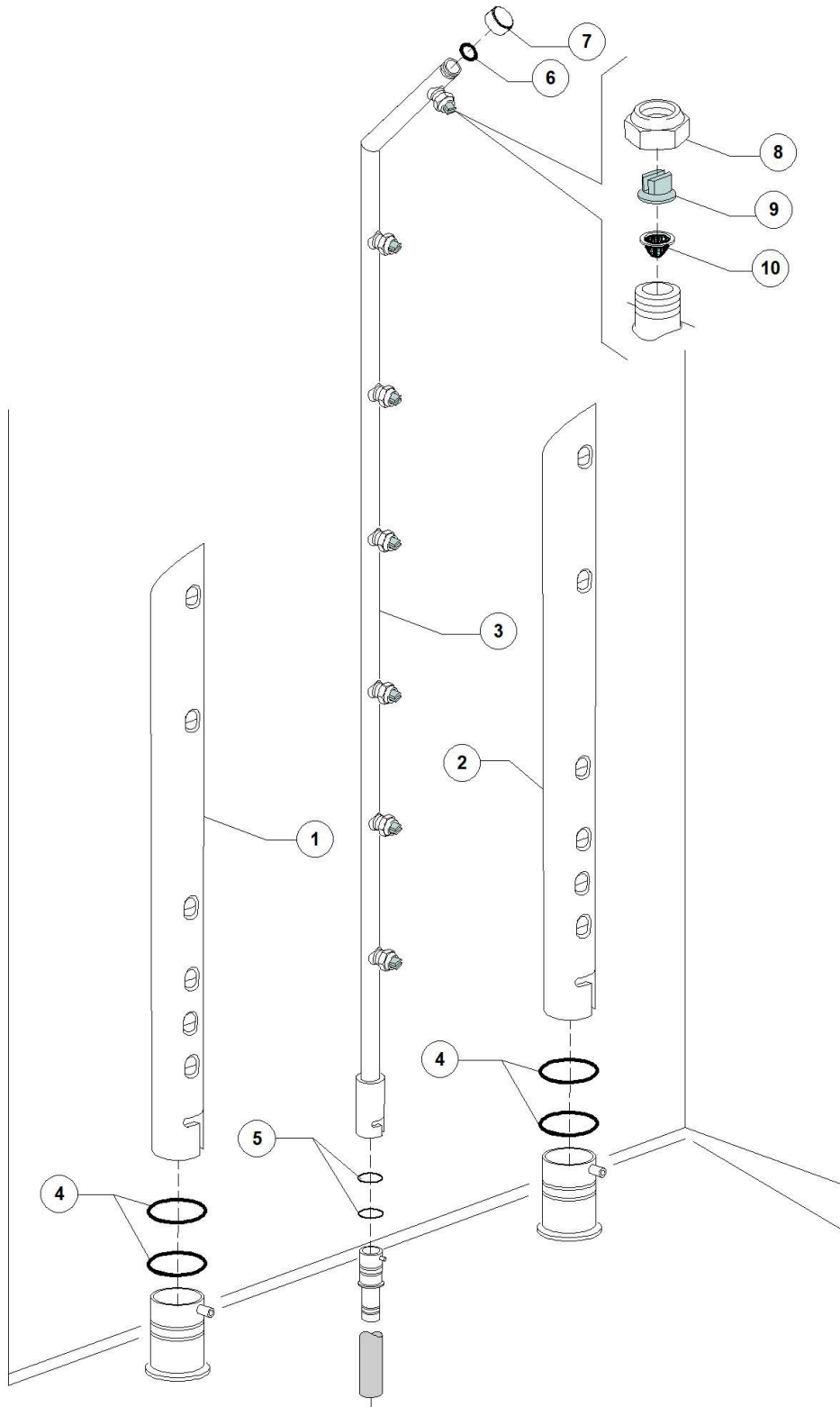
---

---

**GRANULES 900 TR PLUS 400V3N 50HZ - DWO1015432 - Pressure switch group - DW110E**

Pos.	Code	Descrizione	Description
1	DW90023	PRESSOSTATO LP1 S-S8 190-60	PRESSURE SWITCH 190-60 UL
2	DW80106	GABBIA D'ARIA INOX	AIR TRAP ASSEMBLY
3	DW13301	GUARNIZ. IN FASIT 202 D14x8x1,5	O-RING ROLMART D14X8X1,5
4	DW11702	DADO M8 INOX UNI5588 DIN934	S/S NUT M8 DIN934 (MIN. 20 PCS)
5	DW14508	TUBO EPDM 4.5X9 PER PRESSOSTATO	EPDM HOSE 4.5X9 FOR PRESSURE SWITCH
6	DW10738	FASCETTA PLASTICA 98X2.5	PLASTIC CLAMP 98X2,5
7	DW3009363	SUPPORTO PRESSOSTATO	PRESSURE-SWITCH SUPPORT

GRANULES 900 TR PLUS 400V3N 50HZ - DWO1015432 - Turret group with rotating arms - DW110E



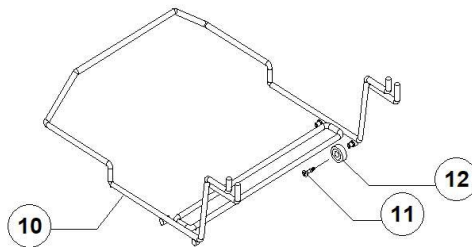
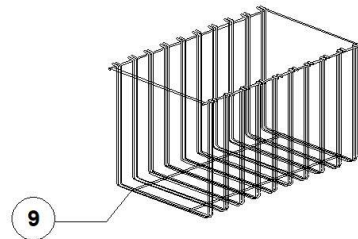
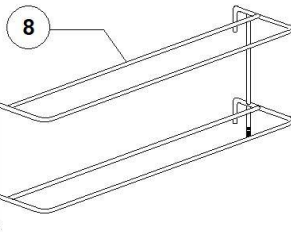
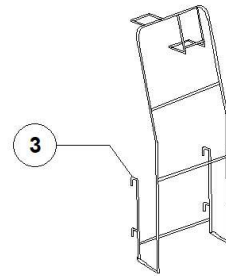
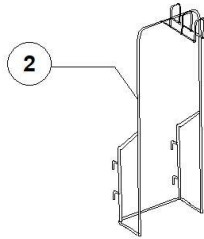
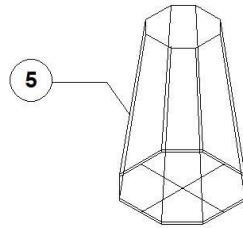
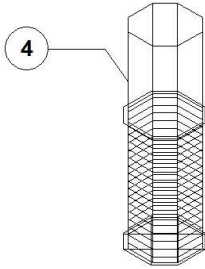
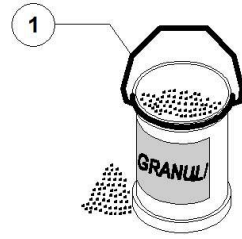
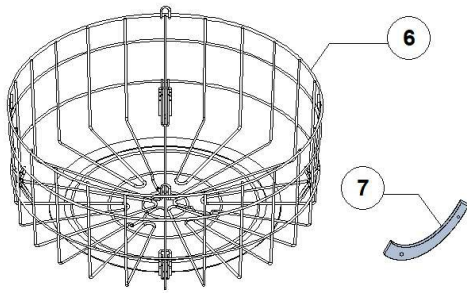
---

---

**GRANULES 900 TR PLUS 400V3N 50HZ - DWO1015432 - Turret group with rotating arms - DW110E**

Pos.	Code	Descrizione	Description
1	DW96116	"TUBO LAVAGGIO TIPO "A" GR/06"	"GR/06 WASH PIPE TYPE "A""
2	DW96117	"TUBO LAVAGGIO TIPO "B" GR/06"	"GR/06 WASH PIPE TYPE "B""
3	DW96118	TUBO RISCIAQUO GR/06	GR/06 RINSE PIPE
4	DW96115	GUARNIZIONE OR 3193 NBR 70	3193 NBR 70 GASKET
5	DW13025	GUARNIZIONE OR 2081	O-RING 2081
6	DW2002051	GUARN. EPDM TAPPO RISC. D.17,5X1,5	GASKET EPDM D.17,5X1,5
7	DW2002054	TAPPO M18X1 D21X9	PLUG M18X1 D21X9
8	DW2200116	I-GHIERA 3/8F INOX	"S/S RING NUT 3/8" F"
9	DW2200115	UGELLO A LAMA I-C1-08/95¶∅ INOX	S/S NOZZLE I-C1-08/95¶∅
10	DW2200117	FILTRO A CUPOLA PER UGELLO A LAMA	NOZZLE FILTER

GRANULES 900 TR PLUS 400V3N 50HZ - DWO1015432 - Accessories - DW110E





**GRANULES 900 TR PLUS 400V3N 50HZ - DWO1015432 - Accessories - DW110E**

Pos.	Code	Descrizione	Description
1	DW96100	SECCHIO GRANULI (CONF. DA 9 KG/11L )	
2	DW96105	SUPPORTO PENTOLE GRANDI	
3	DW96104	SUPP.PADELLE E PENTOLE	
4	DW96103	CESTO PORTA UTENSILE ESAGONALE	
5	DW96102	SUPP.CESTO PORTA UTENSILE(PIRAMIDE)	
6	DW96101	CESTO D730 H240 GR/06(6#1/1)(2#2/1)	
7	DW96125	SETTORE (1/6) PATTINO CESTO GR/06	
8	DW96136	SUPP. TEGLIE 600X400X40	600X400X40 BAKING TRAYS STAND
9	DW96135	INSERTO VASSOI 10 POSTI GR/06	STAND FOR TRAYS 10PCS
10	DW96605	CARRELLO SOLLEVA CESTO GR (PIU' 4x89919)	BASKET LIFTER
11	DW11217	VITE INOX M5x10 TCB-CRO11x3 ZIGR.S.TESTA	M5X10 S/S SCREW
12	DW89919	RUOTA PER CESTO LP3/LP4	WHEEL FOR BASKET P3S/P4S8

