

**cod.DW114E**

data:02/03/2023

**Catalogo ricambi  
Spare parts catalog  
Catalogue de pièces détachées  
Ersatzteilkatalog  
Catálogo de repuestos  
Catálogo de peças de reposição  
Каталог запасных частей**

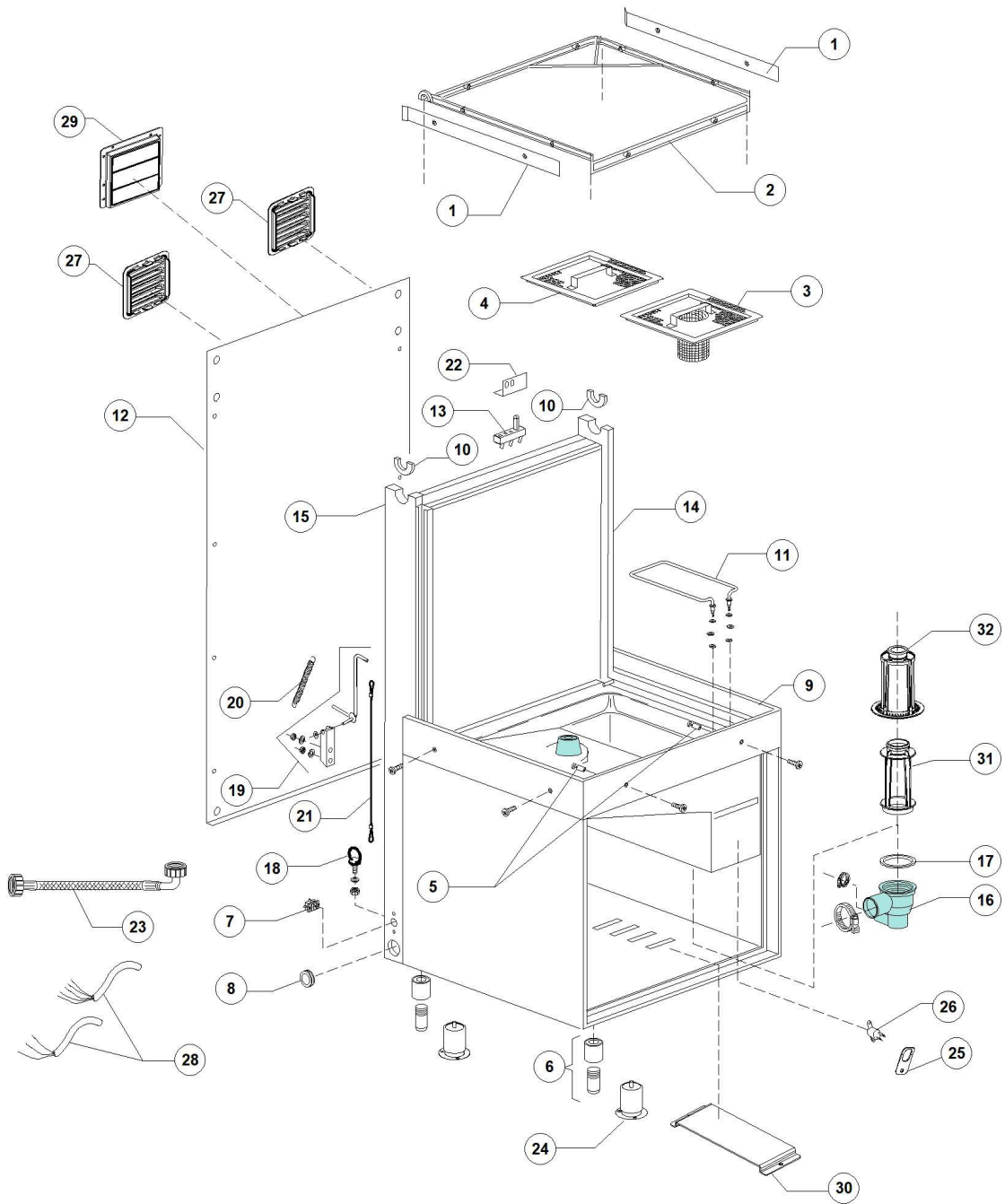
**HT 14 OPTIMA HR 400VAC3N 50HZ**



**S/N:DW01009328**



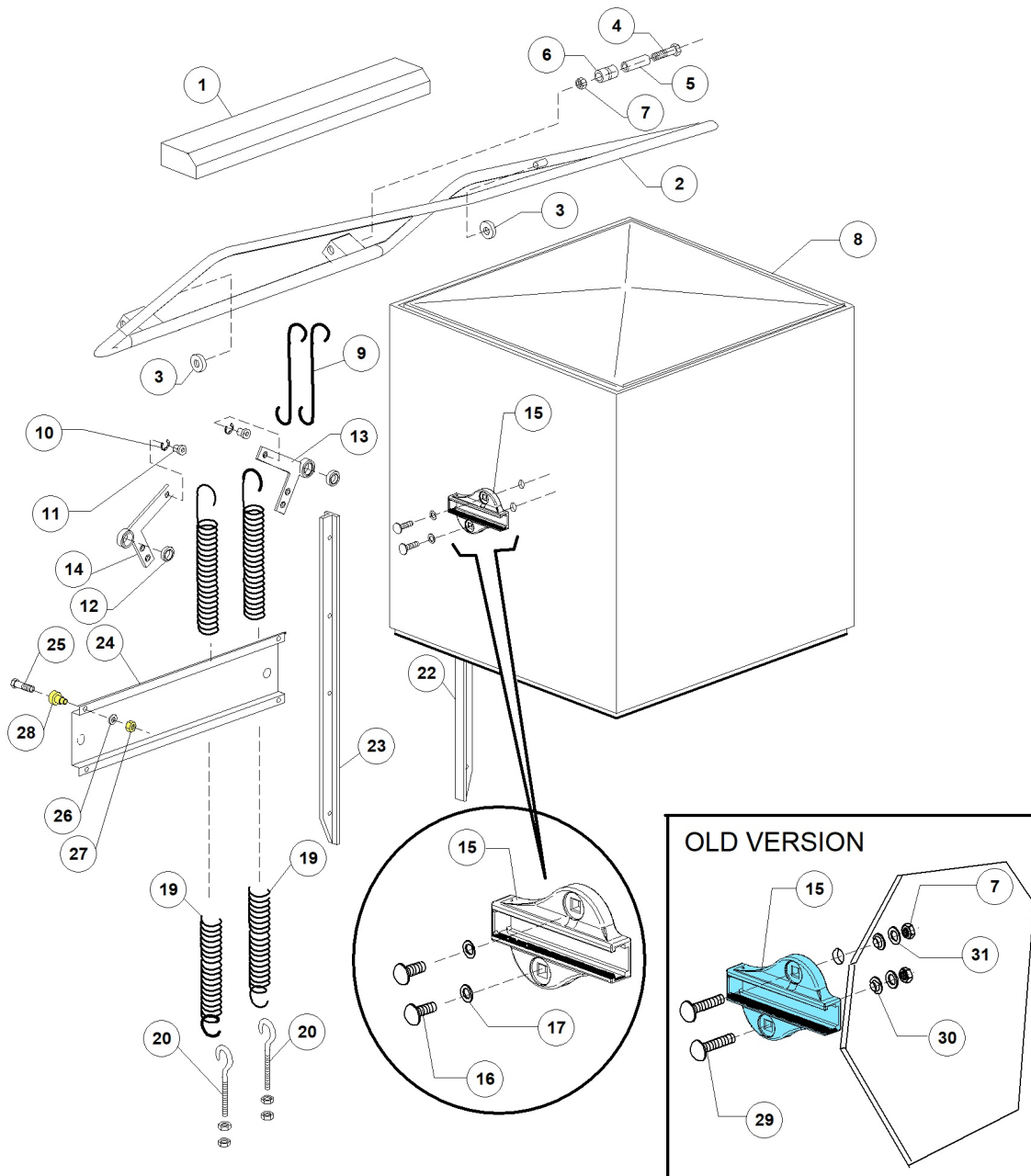
HT 14 OPTIMA HR 400VAC3N 50HZ - DWO1009328 - General body parts - DW114E



HT 14 OPTIMA HR 400VAC3N 50HZ - DWO1009328 - General body parts - DW114E

Pos.	Code	Descrizione	Description
1	DW10600923	SPONDINA CESTO 1200	BASKET BOARD
2	DW11600001	SUPPORTO CESTO AISI 304 GASTRO 12S	S/S BASKET SUPPORT 12S
3	DW11600906	FILTRO VASCA ANT. G12/03 CESTELLO	TANK FRONT FILTER
4	DW11600907	FILTRO VASCA POS. G12/03 & 11/03	TANK BACK FILTER
5	DW11600018	PERNO SUPPORTO PORTACESTO	BASKET HOLDER PIN SUPPORT
6	DW15116	"PIEDINO 2" M10 REG. 132-210"	"ADJUSTABLE FOOT M10 132-210 2""
7	DW15065/A	FISSACAVO PER VITI AUTOF (NR.2x11007)	CABLE-FASTENER WITH SCREW
8	DW13332	PASSACAVO D.47 IN GOMMA DG36	RUBBER FAIRLEAD D.47 DG36
9	DW11700000	#ASSIEME CARROZZERIA HT14/2013 NORMALE	BODYWORK 14S
10	DW11600055	BOCCOLA GUIDA MANIG.DX-SX G12	RIGHT/LEFT HANDLE PILOT BUSH
11	DW11700018	RESISTENZA 2700/2940W 230/240V 1	2700/2940W 230/240V 1 HEATING ELEM.
12	DW11600630	SCHIENALE POSTERIORE G-12S (1X 3071286)	BACK PANEL 12S
13	DW70305	FINECORSO A PULSANTE MF17	LIMIT STOP PUSH BUTTON
14	DW11600620	MONTANTE DX G 12S	RIGHT STANDARD
15	DW11600621	MONTANTE SX G 12S	LEFT STANDARD
16	DW500605	POZZETTO CON SCARICO LATERALE SX	LEFT SIDE SCRAP TRAY
17	DW80208	GUARNIZIONE RAMPA LP2 DIAM.95X75X3	RISER GASKET D.95X75X3 (MIN. 2 PCS)
18	DW11600058	GANCIO GOLFARE MASCHIO M8 ZINC	M8 ZINC PLATED MALE HOOK
19	DW11600059	ASSIEME SICUREZZA CAPOTTE	SAFETY SYSTEM ASSEMBLY SUPPORT
20	DW10700	MOLLA PER PORTA DIS.LS034 DERBY	DOOR SPRING
21	DW11600057/A	CORDA PER SISTEMA SICUREZZA G12/03	SAFETY SYSTEM ROPE 12/03
22	DW11600919	SQ.SUPPORTO MICRO G 12S	MICROSWITCH SUPPORT
23	DW10726	CANNA CARICO PICC. WRAS m1,5x3/4 EN61770	LOAD PIPE WRAS M1,5x3/4 EN61770
25	DW15552/A	STAFFETTA PER TERMOSTATO VASCA KLIXON	THERMOSTAT SUPPORT
26	DW15552/B	TERMOST. SICUR.VASCA KLIXON SENZA STAFFA	KLIXON TANK SAFETY THERMOSTAT
28	DW75362	CAVO ALIM. 3X10 H07RN-F	3X10 H07RN-F POWER CABLE
28	DW75363	CAVO ALIM. 4X6X3500 H07RN-F	4X6X3500 H07RN-F POWER CABLE
28	DW80200	CAVO ALIMENTAZIONE 5X4X3400	CABLE 5X4X3400
29	DW3071286	CARTER PER IPX4 /IPX5 ESTERNO	EXTERNAL PROTECTION IPX4/IPX5
30	DW11600111	CARTER PER HT IPX4	BASE PROTECTION IPX4
31	DW11700033	GHIERA INNESTO FILTRO HT12-HT14	FILTER COUPLING FERRULE
32	DW11700034	FILTRO HT14	FILTER

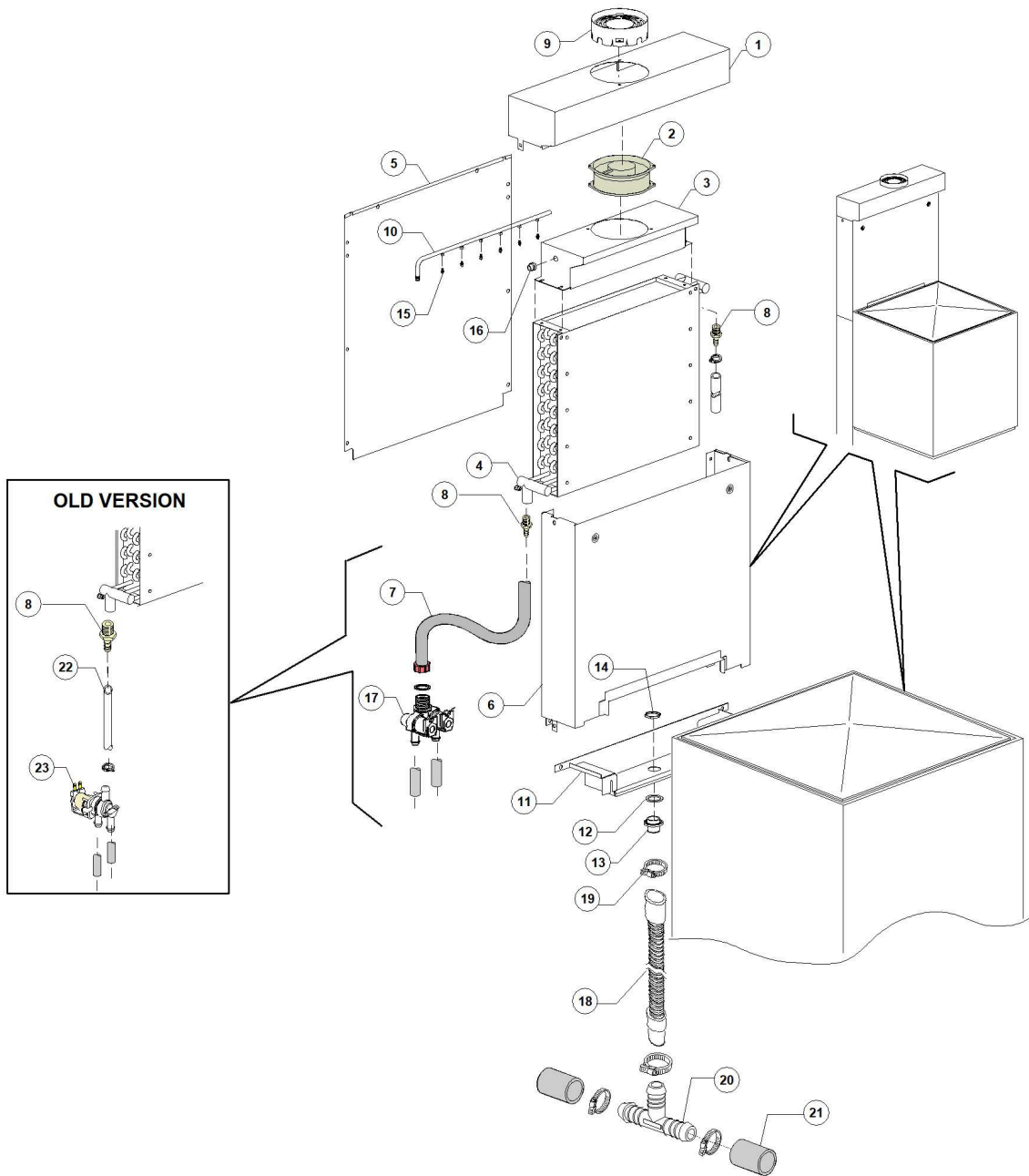
HT 14 OPTIMA HR 400VAC3N 50HZ - DWO1009328 - Hood - DW114E



**HT 14 OPTIMA HR 400VAC3N 50HZ - DWO1009328 - Hood - DW114E**

Pos.	Code	Descrizione	Description
2	DW11600910	MANIGLIONE CAPPOTTA G12 COMPLETO	S/S HOOD HANDLE
3	DW89919	RUOTA PER CESTO LP3/LP4	WHEEL FOR BASKET P3S/P4S8
4	DW111163	VITE INOX M8X50 TE DIN933	M8X50 TE S/S SCREW
5	DW11600015	DISTANZIALE PER RULLI CAPPOTTA G12	HOOD ROLLER SPACER
6	DW11600014	RULLO PER TIRANTE CAPPOTTA G12	TIE ROD ROLLER G12
7	DW111718	DADO M8 AUTOBLOCCANTE INOX DIN 982	S/S SELF-LOCKING NUT M8 DIN982
8	DW11600962	ASSIEME CAPPOTTA ISOLATA HR/09	INSULATING HOOD ASSEMBLY HR/09
9	DW11600013	TIRANTE UNIONE MANIGLIONE-LEVE	HOOD HANDLE TIE ROD
10	DW111823	SEEGER DIAM.10 INOX DIN 471 UNI7435	SNAP RING D.10 S/S
11	DW11600038	BOCCOLA PER MOLLA	BOCCOLA PER MOLLA
12	DW10800010	CUSCINETTO 6002 2RS PER LEVE SOLL.	LEVER BEARING
13	DW11600026	LEVA PER CAPPOTTA DX G 12S VERNIC.	RIGHT LEVER
14	DW11600027	LEVA PER CAPPOTTA SX G 12S VERNIC.	LEFT LEVER
15	DW11600036	CAMMA MOVIM. CAPPOTTA G 12 GRIGIA	CAPOTE MOVEMENT CAM
16	DW111222	VITE TESTA BOMB C.E. FLANGIATA M8L25INOX	S/S SCREW M8X25
17	DW111223	RONDELLA M8 DENTELLATA INOX DIN6798	M8 S/S TOOTHED LOCK WASHER
19	DW70302	MOLLA POSTERIORE S12	BACK SPRING
20	DW10800210	VITE TIRANTE CON GANCIO M10X60	ROD SCREW WITH HOOK M10X60
22	DW11600028	PATTINO SCORRIMENTO CAPPOT.DX G 12S	HOOD RIGHT SLIDING GUIDE 12S
23	DW11600029	PATTINO SCORRIMENTO CAPPOT.SX G 12S	HOOD LEFT SLIDING GUIDE 12S
24	DW11600624	OMEGA SUPPORTO LEVE CAPPOTTA	LEVERS OMEGA SHAPED SUPPORT
25	DW111134	VITE INOX M10X35 TE UNI5739 DIN933	M10X35 TE S/S SCREW UNI5739 DIN933
26	DW111192	RONDELLA GROWER M10 INOX DIN 127B	M10 S/S GROWER WASHER DIN127B
27	DW111719	DADO M10 INOX DIN 934	S/S NUT M10 DIN934
28	DW10800115	PERNO ASTA SOLLEVAMENTO GUIDACUSCIN	LIFTING ROD PIN
29	DW111324	#VITE INOX M8x40 T.TONDA/QUADRO UNI 5731	STAINLESS STEEL SCREW
30	DW76086	OGIVA PER CAMME DIAM.16	CAM SEAL WASHER D.16
31	DW111185	RONDELLA 8X16 PIANA INOX DIN125	8X16 S/S PLANE WASHER DIN125

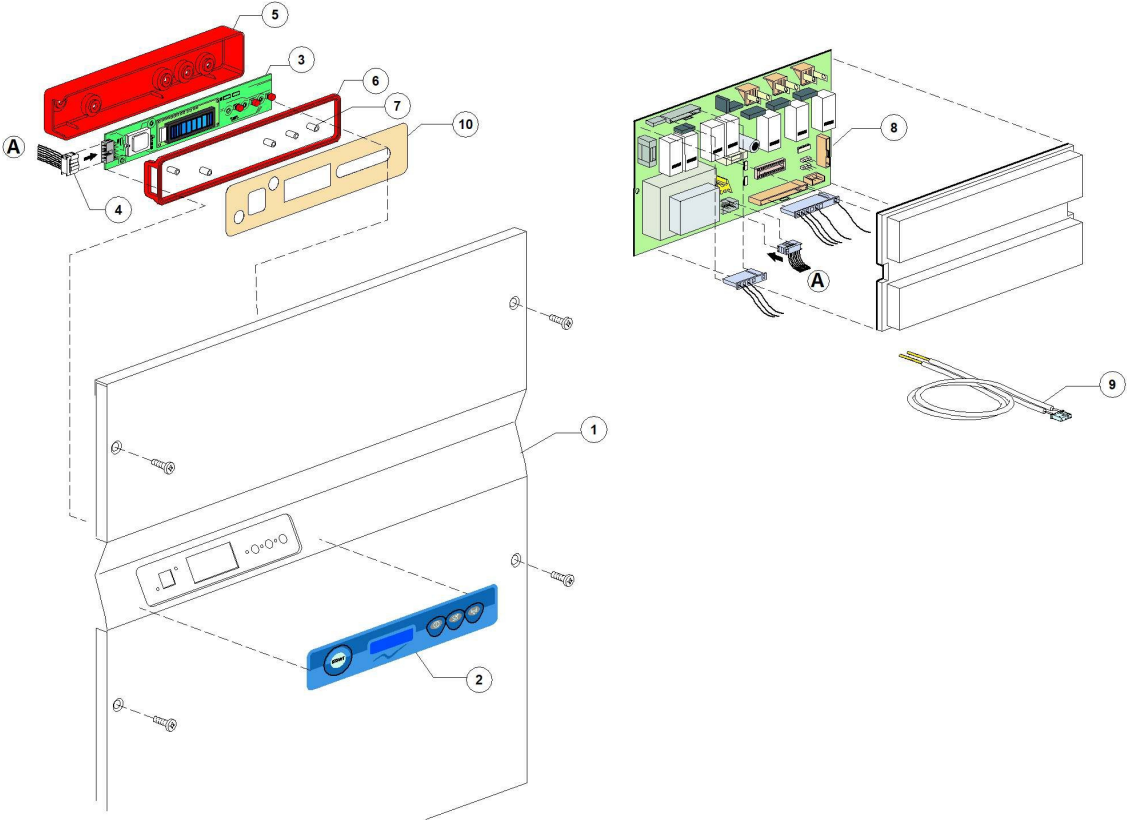
HT 14 OPTIMA HR 400VAC3N 50HZ - DWO1009328 - Heat recovery - DW114E



**HT 14 OPTIMA HR 400VAC3N 50HZ - DWO1009328 - Heat recovery - DW114E**

Pos.	Code	Descrizione	Description
1	DW11600711	SPOILER SUPERIORE HR/09	UPPER SPOILER
2	DW11600715	MOTOVENTIL. 230 V/50-60 HZ TRAINO	CENTRIFUGAL FAN 230V 50/60HZ
3	DW11600709	SUPPORTO VENTILATORE HR/09	FAN HOLDER HR/09
4	DW11600708	BATTERIA RECUPERATORE CAPPOTTA HR/09	HEAT RECOVERY COIL HR/09 HOOD
5	DW11600713	SCHIENALE SUPERIORE POST. HR/09	UPPER REAR PANEL HR/09
6	DW11600701	ASS. CARTER POST. SUP. BATTERIA HR/09	UPPER REAR BATTERY CASING ASSEMBLY
7	DW10780	TUBO COLLEG. EL.VAL. RAC. 3/4 DRITTO 1mt	CONNECTION HOSE 3/4 STRAIGHT L1MT
8	DW12039	PORTAGOMMA M 1/2 diam.10 PG260	MALE HOSE ADAPTER 1/2 diam.10 PG260
9	DW11600717	ASS. CAMINO SUPERIORE TRAINO	CHIMNEY ASSEMBLY FOR HR/09
10	DW11600716	TUBO AUTOPULIZIA BATTERIA HR/09	COIL SELF-CLEANING PIPE
11	DW11600704	VASCHETTA CAPPOTTA ISOLATA HR/09	INSULATED HOOD TRAP HR/09
12	DW13305	GUARN.GOM.SCARICO 44x32x3 DIS.LS061	O RING FOR DRAIN ELBOW 44x32x3 DIS.LS061
14	DW11701/A	DADO INOX PER PIL. SCAR.	S/S NUT
15	DW560018	UGELLO INOX RISCIAQUO M5	S/S RINSE NOZZLE M5
16	DW13304	GUARNIZIONE PASSATUBO 70SH	PIPE-PASS O-RING
17	DW15214	ELETTROVALVOLA 3/4 1XNA1XNO 220-40/50-60	"VALVE 3/4" 1XNA 1XNO 220-240V/50-60HZ"
18	DW10727	CANNA SCARICO mt.1.5 D.24 PICCOLA	DRAIN HOSE 1,5MT D.24
18	DW15725	CANNA HR D28/D24 DIRITTA L1150	HEAT RECOVERY PIPE D28/D24 L1150
19	DW11806	FASCETTE AISI 430 25/40	CLAMP 25/40 AISI 430
20	DW540098	DERIV. 3VIE T D25 PLASTICA	PLASTIC Y-PIECE D.25
21	DW18044	TUBO DIAM.28 EPDM LAV.SUP. STAR	D.28 EPDM PIPE
22	DW2907352	TUBO GOMMA PVC WRAS BT	PVC WRAS RUBBER HOSE

HT 14 OPTIMA HR 400VAC3N 50HZ - DWO1009328 - Control panel and switches - DW114E





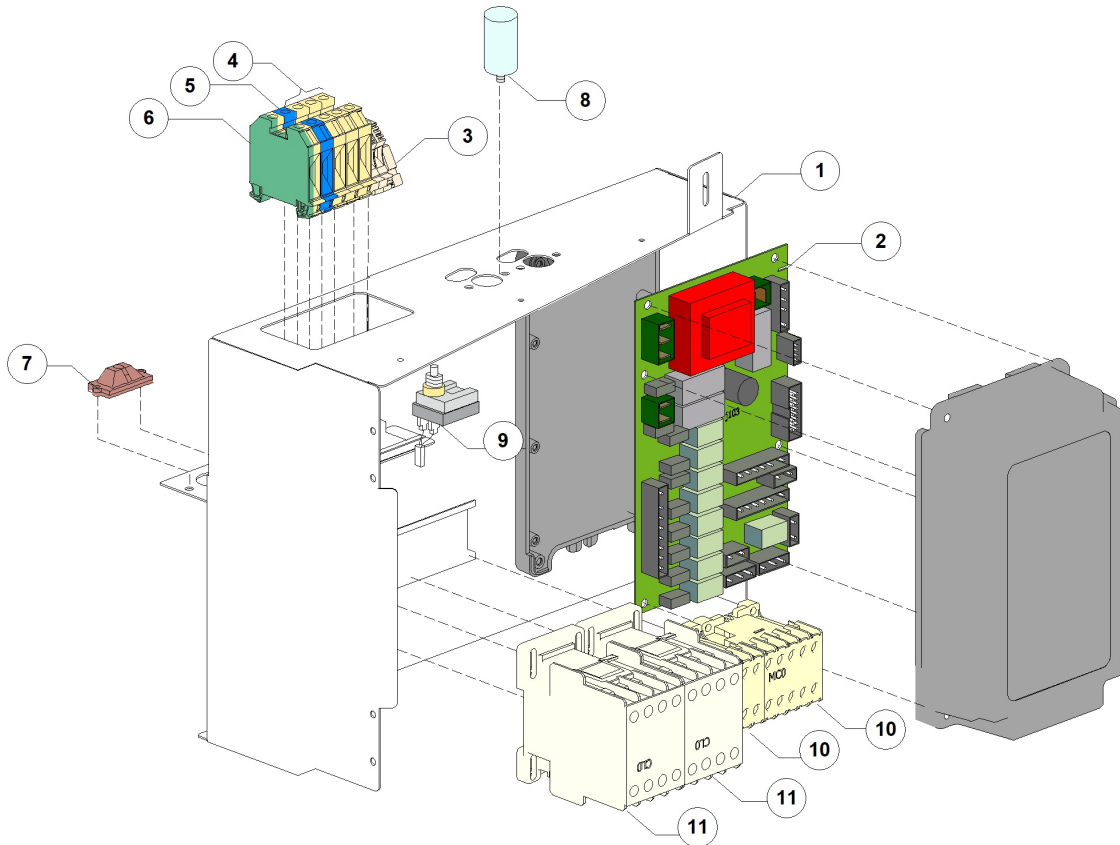
---

---

**HT 14 OPTIMA HR 400VAC3N 50HZ - DWO1009328 - Control panel and switches - DW114E**

<b>Pos.</b>	<b>Code</b>	<b>Descrizione</b>	<b>Description</b>
1	DW11600926/A	"#SOTTOPORTA INTERO "TOP" DIHR medio"	
2	DW560048	#MOSTRINA TOP DIHR	CONTROL OVERLAY DIHR
3	DW560051	#TASTIERA CON DISPLAY 122X32 VERS.09	KEY-BOARD WITH DISPLAY 122X32 VERS.09
4	DW50651	"PIATTINA MULTIFILO "F16p" L1000"	RIBBON CABLE F16p L1000
5	DW560051/A	#SCATOLA PROT. SCHEDA 560051 (245X46X19)	ELECTRONIC BOARD PROTECTION BOX 560051
6	DW560051/B	#GUARNIZIONE PER SCATOLA 560051/A	PROTECTION BOX GASKET DW560051/A
7	DW50561	DIST. SCHEDE ELETTR. 2009 D.8X10	MAINBOARD SPACER D.8X10
8	DW11700015	#SCHEDA MADRE HT14/2013 (BL)	MAINBOARD 14/2013 (BL)
9	DW50562	SONDA TERMOSTATO SCHEDA DIHRECO2	THERMOSTAT PROBE DIHRECO2
10	DW560053	PROTEZ. ISOLANTE ADES. PULSAN. TOP	PUSH BUTTON PANEL INSULATING PROTECTION

HT 14 OPTIMA HR 400VAC3N 50HZ - DWO1009328 - Electric control components - DW114E



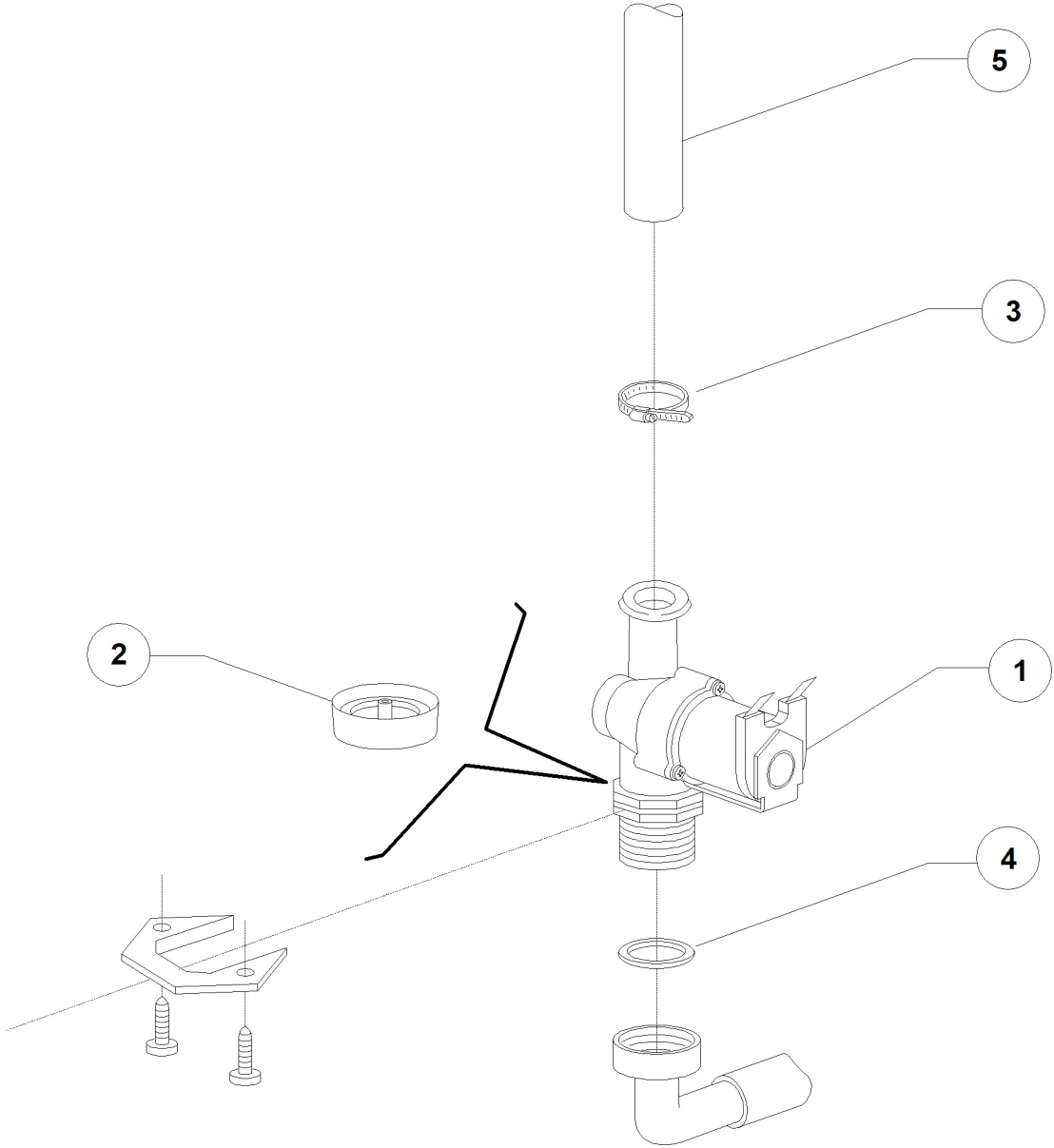
---

---

**HT 14 OPTIMA HR 400VAC3N 50HZ - DWO1009328 - Electric control components - DW114E**

Pos.	Code	Descrizione	Description
1	DW11700013	#PANNELLO PORTACOMPONENTI HT14/2013	
2	DW11700015	#SCHEDA MADRE HT14/2013 (BL)	MAINBOARD 14/2013 (BL)
3	DW10300403	MORSETTO 6mmq	TERMINAL 6mmq
4	DW3006082	MORSETTO 16mmqSL-16	TERMINAL 16mmq
5	DW3006155	MORSETTO NEUTRO 16mmq BLU	TERMINAL 16mmq BLEU
6	DW3006173	MORSETTO 16mmqSL-16 GIALLO-VERDE	TERMINAL 16mmq YELLOW/GREEN
7	DW15065/A	FISSACAVO PER VITI AUTOF (NR.2x11007)	CABLE-FASTENER WITH SCREW
8	DW15149	FILTRO ANTIDIS.F3 (CX0.47MF)	LOW NOISE FILTER F3 (CX0.47MF)
9	DW2000430	TERMOSTATO DI SICUR. 110 1500PVC	SAFETY THERMOSTAT 110 1500PVC
10	DW15086	TELERUTTORE 230V 50/60Hz 4C AC3(6A)	CONTACTOR 230V 50/60Hz 4C AC3(6A)
11	DW10300050	TELERUTT. 25A/12A 4NA 230V 50-60HZ	CONTACTOR 25A/12A 4NA 230V 50-60HZ

HT 14 OPTIMA HR 400VAC3N 50HZ - DWO1009328 - Solenoid valve group - DW114E



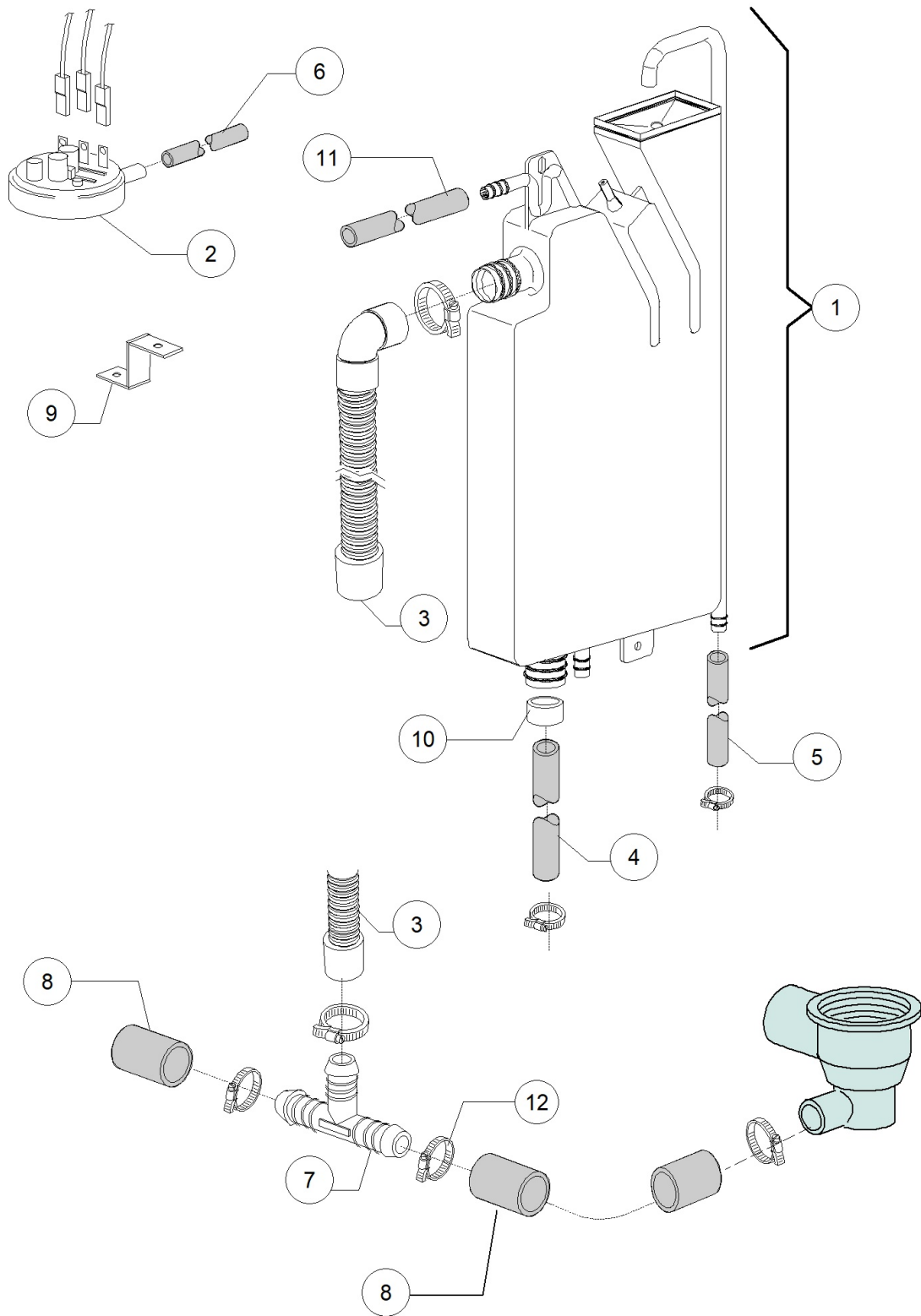
---

---

**HT 14 OPTIMA HR 400VAC3N 50HZ - DWO1009328 - Solenoid valve group - DW114E**

<b>Pos.</b>	<b>Code</b>	<b>Descrizione</b>	<b>Description</b>
1	DW10703	ELETTROV. SING. H2O 230V DIS.LS036	SINGLE SOLENOID VALVE H2O 230V
3	DW11807	FASCETTE AISI 430 12/22	CLAMP 12/22 AISI 430
4	DW13307	GUARNIZ. 3/4 CARICO H2O DIS.LS061	GUARNIZ. 3/4 CARICO H2O DIS.LS061
5	DW14506	TUBO GOMMA DIAM 9,5X16 EPDM	9,5X16 EPDM RUBBER HOSE
5	DW2907351	TUBO GOMMA EPDM 11,5X19	11,5X19 EPDM RUBBER HOSE
5	DW2907352	TUBO GOMMA PVC WRAS BT	PVC WRAS RUBBER HOSE

HT 14 OPTIMA HR 400VAC3N 50HZ - DWO1009328 - Break Tank - DW114E



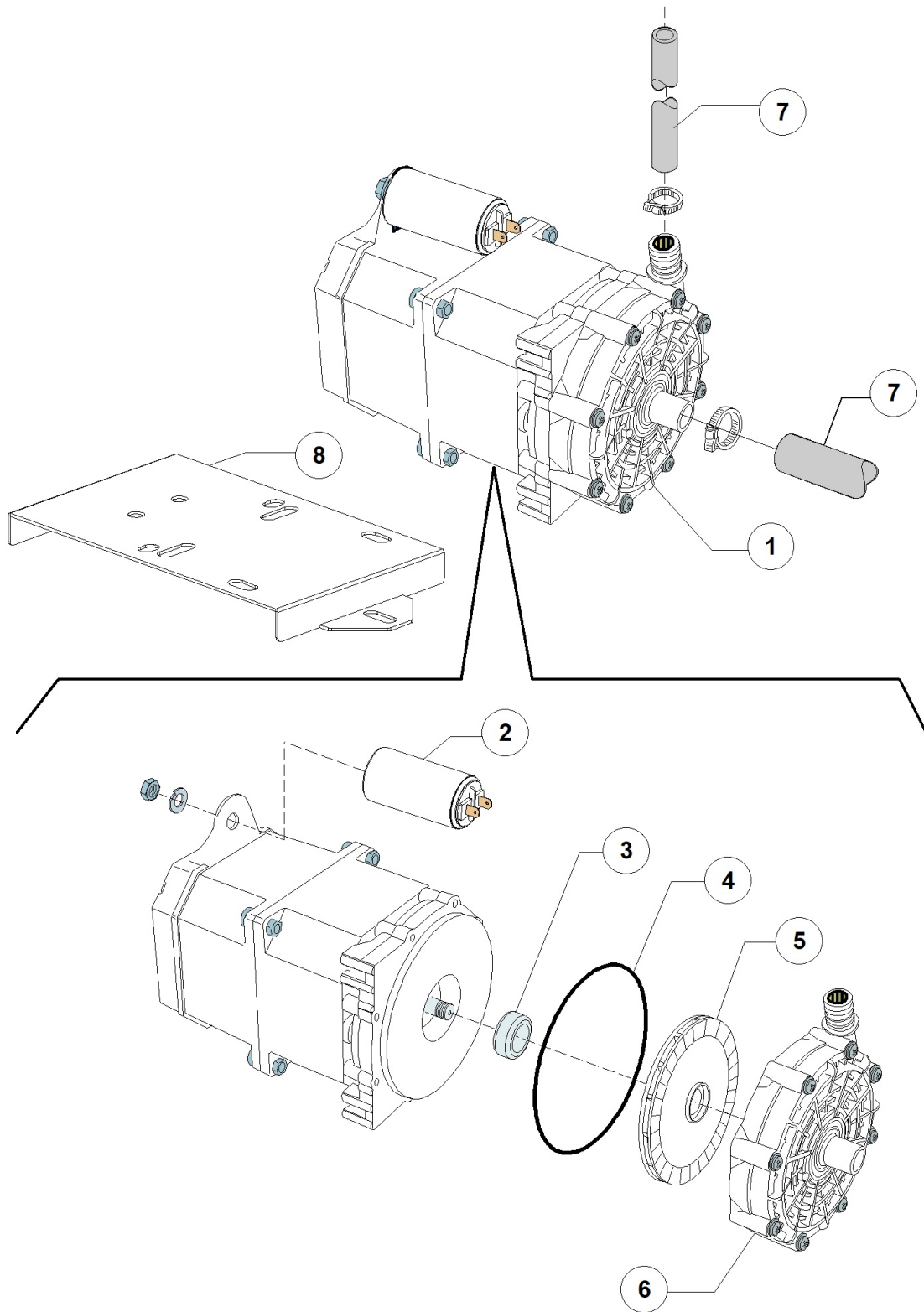
---

---

**HT 14 OPTIMA HR 400VAC3N 50HZ - DWO1009328 - Break Tank - DW114E**

<b>Pos.</b>	<b>Code</b>	<b>Descrizione</b>	<b>Description</b>
1	DW15720	ASSIEME BREAK TANK 3.5	BREAK TANK ASSEMBLY 3.5LT
2	DW10706/A	"PRESSOSTATO "EL." 46-26"	PRESSURE SWITCH 46-26
3	DW15721	CANNA B.T. D28-90 $\varnothing$ /D24 DIRITTO L1070	BREAK TANK LONG PIPE D.28/24 L1070
4	DW11600105	MAN.BT-BOILER ATM.RADIO 36X28X500	PIPE COUPLING BT/ATMOSP.BOILER 36X28X500
5	DW2907352	TUBO GOMMA PVC WRAS BT	PVC WRAS RUBBER HOSE
6	DW14508	TUBO EPDM 4.5X9 PER PRESSOSTATO	EPDM HOSE 4.5X9 FOR PRESSURE SWITCH
7	DW540098	DERIV. 3VIE T D25 PLASTICA	PLASTIC Y-PIECE D.25
8	DW18044	TUBO DIAM.28 EPDM LAV.SUP. STAR	D.28 EPDM PIPE
9	DW3009363	SUPPORTO PRESSOSTATO	PRESSURE-SWITCH SUPPORT
10	DW12533	RINFORZO COLLARE USCITA BREAK TANK	BREAK TANK OUTLET COLLAR REINFORCEMENT
11	DW2907351	TUBO GOMMA EPDM 11,5X19	11,5X19 EPDM RUBBER HOSE
12	DW11806	FASCETTE AISI 430 25/40	CLAMP 25/40 AISI 430

HT 14 OPTIMA HR 400VAC3N 50HZ - DWO1009328 - Rinsing pump / Booster pump - DW114E



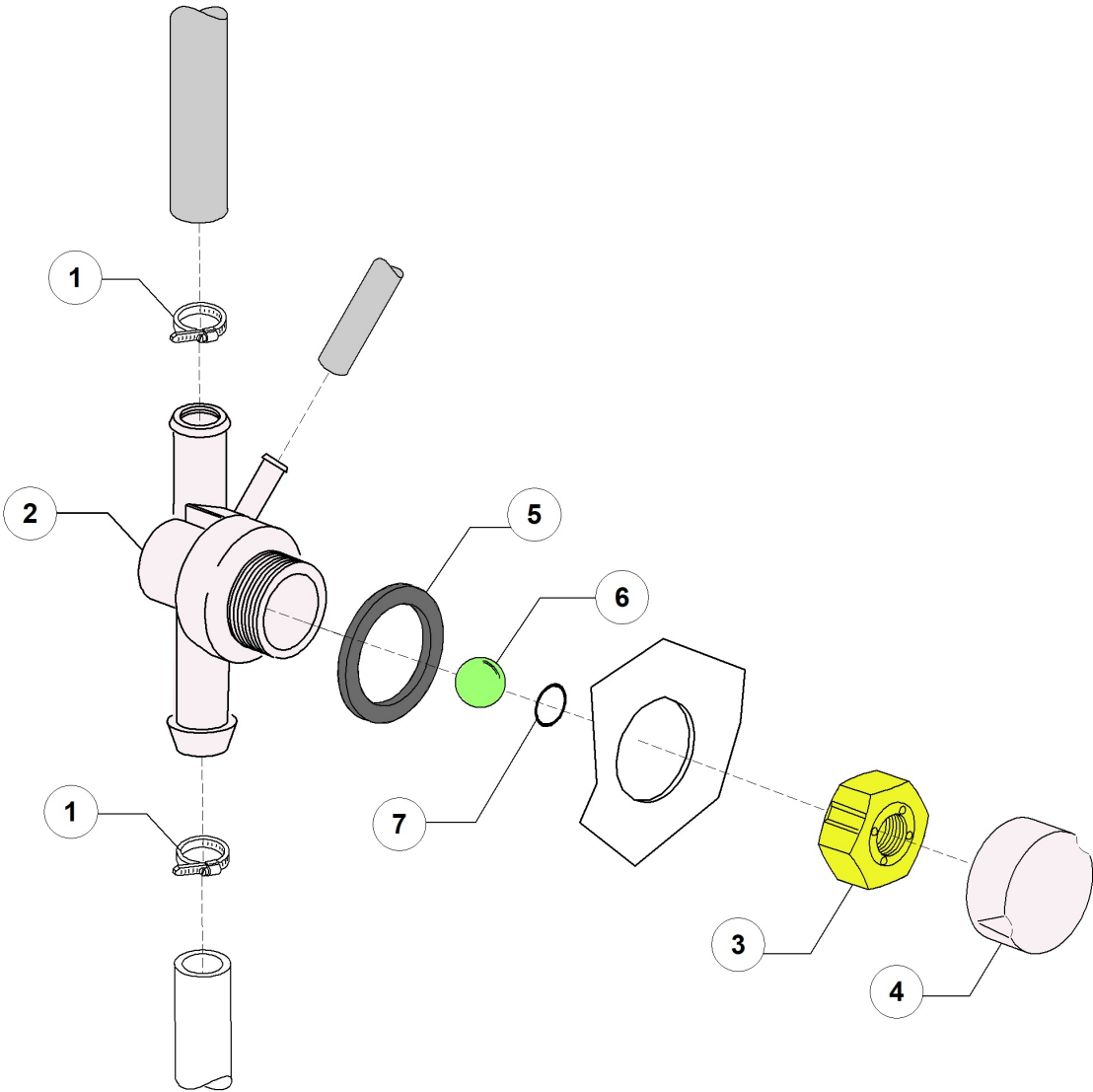


---

---

**HT 14 OPTIMA HR 400VAC3N 50HZ - DWO1009328 - Rinsing pump / Booster pump - DW114E**

Pos.	Code	Descrizione	Description
1	DW15100/DO	POMPA RISCIAQUO 220-240/50 (PLUS)	RINSE PUMP 220-240V/50HZ (PLUS)
2	DW16043	#CONDENSATORE POMPA uf8	uf8 CONDENSER
3	DW15100/S	TENUTE ROTANTI EPDM(15100/DO)	EPDM ROTARY SEAL (15100/DO)
4	DW15100/T	OR EPDM(15100/DO)	O-RING EPDM (15100/DO)
5	DW15100/U	#GIRANTE 90X2.5 (15100/DO)	PUMP ROTOR 90X2.5 (DW15100/DO)
6	DW15100/V	#CHIOCCIOLA ANTE. (15100/DO)	SCROLL FOR PUMP 15100/DO
7	DW2907351	TUBO GOMMA EPDM 11,5X19	11,5X19 EPDM RUBBER HOSE
8	DW23235	STAFFA SUPP. POMPA A.P.	BOOSTER PUMP SUPPORT



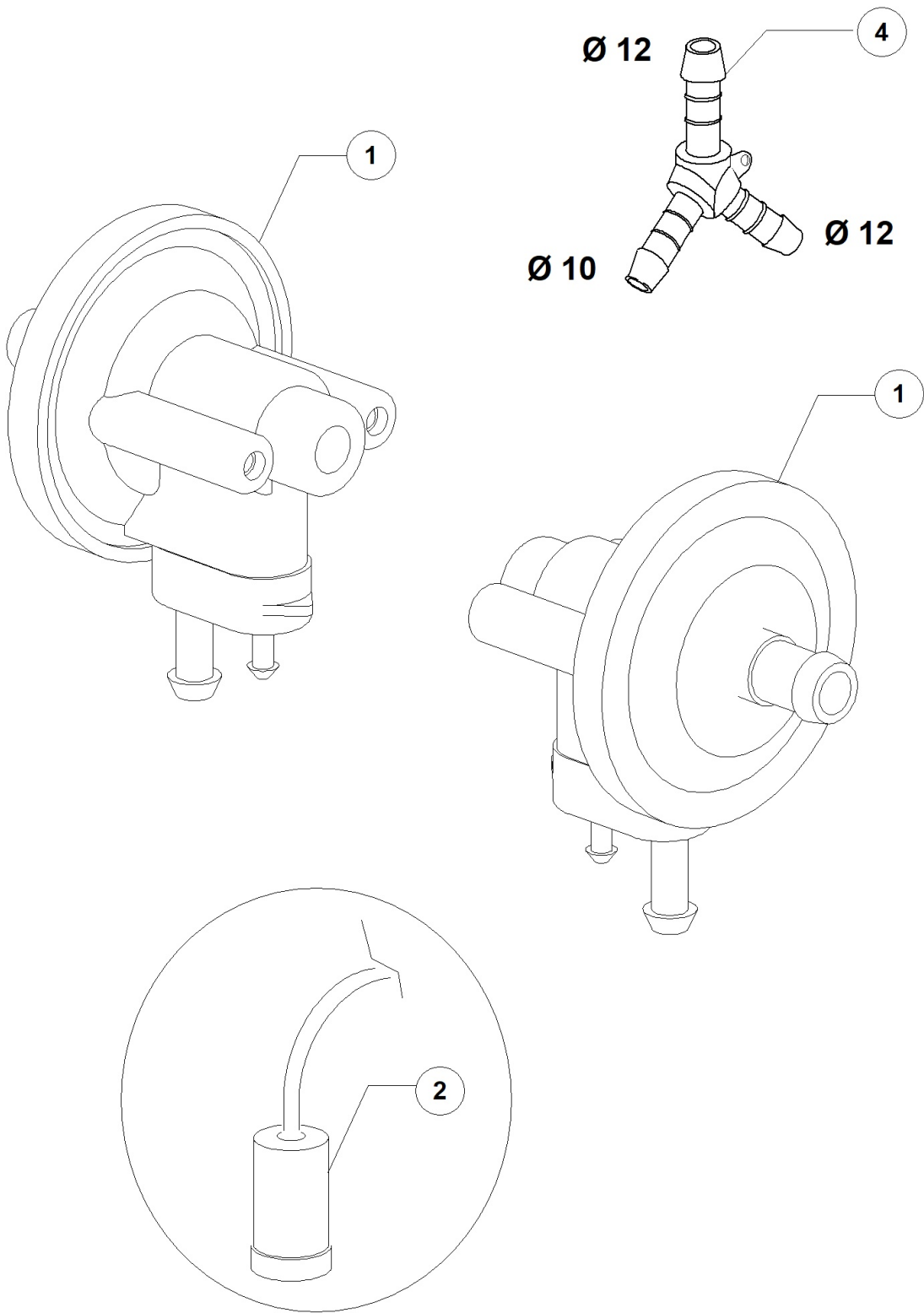
---

---

**HT 14 OPTIMA HR 400VAC3N 50HZ - DWO1009328 - No return valve / drain - DW114E**

Pos.	Code	Descrizione	Description
1	DW11836	FASCETTA INOX 20/32	S/S CLAMP 20/32
2	DW15288	COLLETTORE SCARICO TOP40-50 DVGW 07	DRAIN VALVE CENTER BODY
3	DW15281	DADO VALVOLA DVGW 07	VALVE NUT
4	DW15282	COPRI DADO VALVOLA DVGW 07	VALVE NUT COVER
5	DW15283	GUARNIZIONE VALVOLA DVGW 07	VALVE GASKET
6	DW15284	"SFERA 5/8" VALVOLA DVGW 07"	"5/8" BALL FOR DVGW VALVE 07"
7	DW15285	GUARNIZIONE OR 115 KTW VALVOLA DVGW 07	O-RING 115 KTW

HT 14 OPTIMA HR 400VAC3N 50HZ - DWO1009328 - Rinse aid dispenser group - DW114E



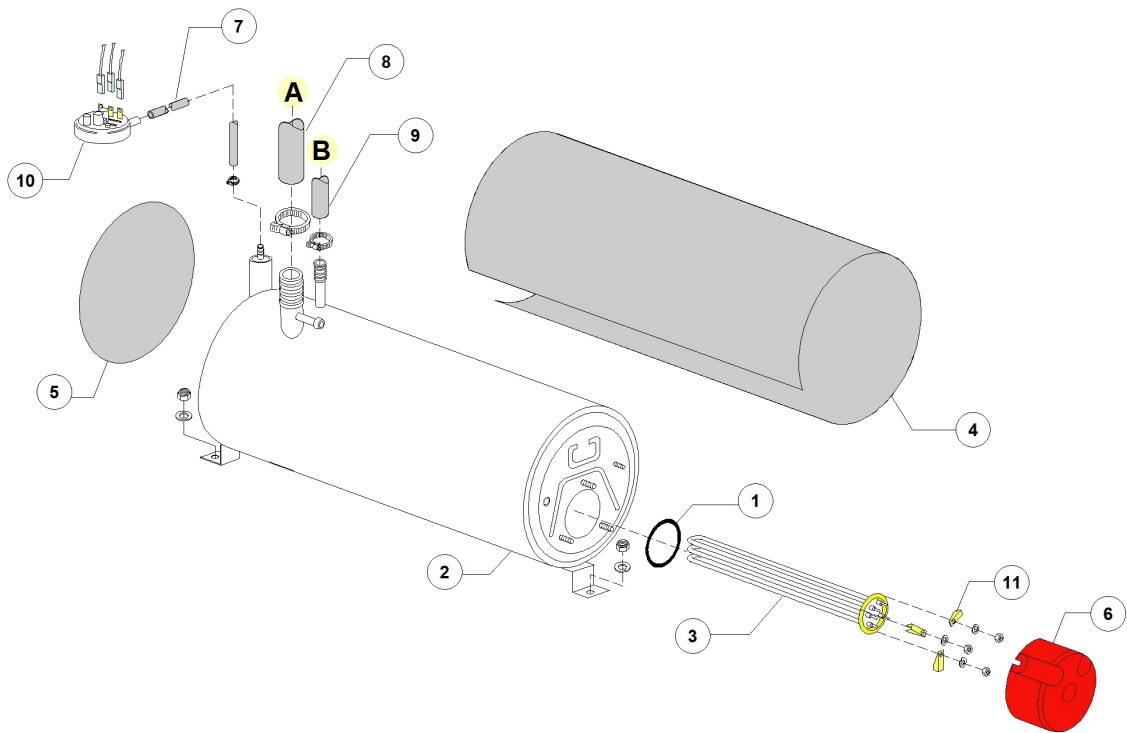
---

---

**HT 14 OPTIMA HR 400VAC3N 50HZ - DWO1009328 - Rinse aid dispenser group - DW114E**

<b>Pos.</b>	<b>Code</b>	<b>Descrizione</b>	<b>Description</b>
1	DW10799/G	DOSATORE BRILLANTANTE	RINSE AID DOSING PUMP
2	DW15058	FILTRINO CON PESO ASPIR. DET/BRIL	SMALL FILTER (MIN. 3 PCS)
3	DW352908	SUPPORTO DOSATORE (10/96)	
4	DW540105	DERIV. 3VIE Y D.10-12-12 (DOSATORE)	Y-PIECE D.10-12-12

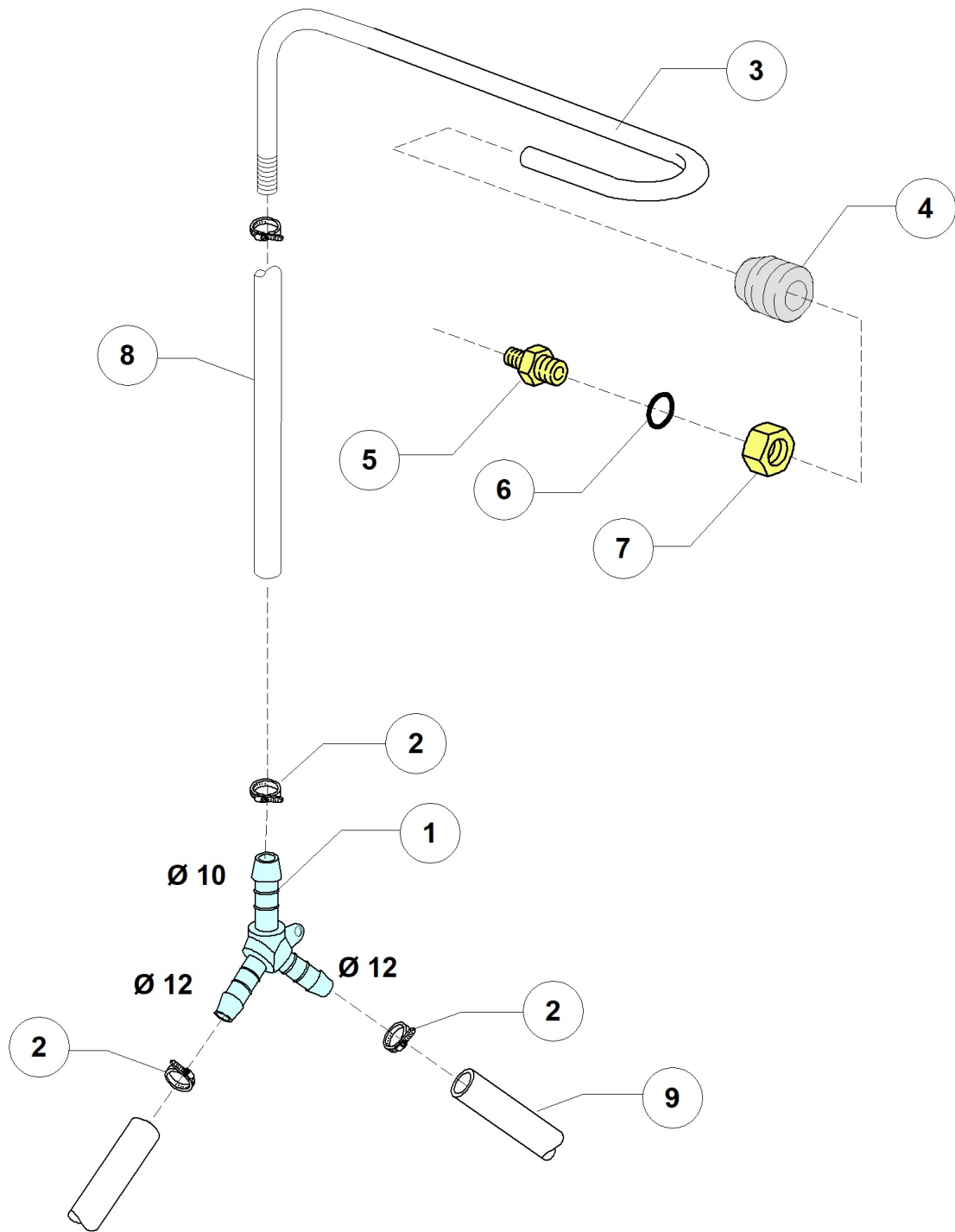
HT 14 OPTIMA HR 400VAC3N 50HZ - DWO1009328 - Boiler group - DW114E



**HT 14 OPTIMA HR 400VAC3N 50HZ - DWO1009328 - Boiler group - DW114E**

Pos.	Code	Descrizione	Description
1	DW13015	GUARNIZIONE 6225 OR 160 NBR	6225 O-RING 160 NBR
2	DW11600104	BOILER ATMOSFERICO D190x490 BA(AISI 304)	ATMOSPHERIC BOILER D190x490 BA(AISI 304)
3	DW30001011	RESIST.9000/9800W 230/240V 3	9000/9800W 230/240V 3 HEATING ELEM.
4	DW11600110	COIBENTE PER BOILER ATM D190	BOILER INSULATING ATM D190
4	DW30002030	COIBENTAZIONE BOILER D.155X500	BOILER INSULATING D.155X500
5	DW91115	DISCO IN ESPANSOLENE AUTOESTING.D.190X3	INSULATING DISK D.190
6	DW75311	CUFFIOTTO PER RESISTENZA 26/03/97	HEATING ELEMENT COVER
7	DW14508	TUBO EPDM 4.5X9 PER PRESSOSTATO	EPDM HOSE 4.5X9 FOR PRESSURE SWITCH
7	DW14509	TUBO PRESSOSTATO 5X9	5X9 PRESSOSTAT HOSE
8	DW11600105	MAN.BT-BOILER ATM.RADIO 36X28X500	PIPE COUPLING BT/ATMOSP.BOILER 36X28X500
9	DW2907351	TUBO GOMMA EPDM 11,5X19	11,5X19 EPDM RUBBER HOSE
10	DW10706/A	"PRESSOSTATO "EL." 46-26"	PRESSURE SWITCH 46-26
11	DW16045	STAFFE FISSAGGIO RESIST.FORO 6.3	HEATING ELEMENT MOUNTING BRACKET D.6,3

HT 14 OPTIMA HR 400VAC3N 50HZ - DWO1009328 - 3 ways connection - DW114E





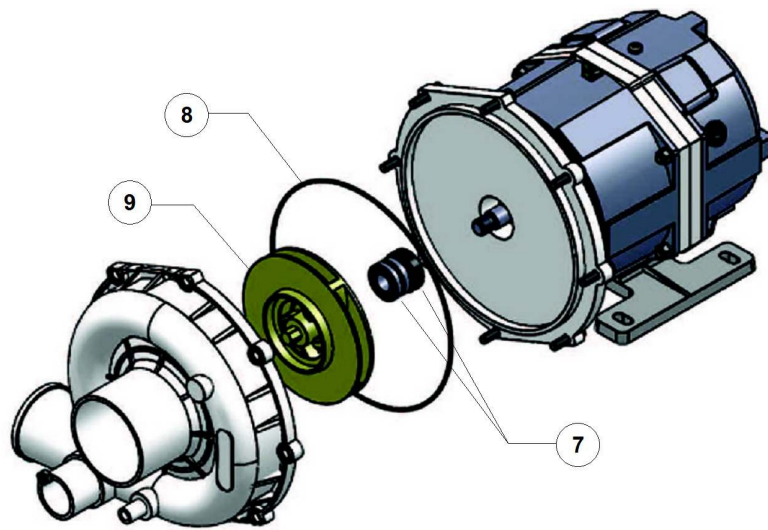
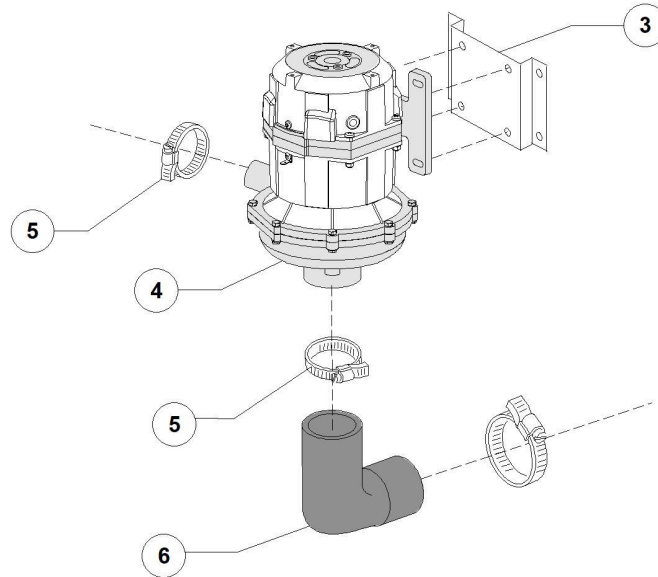
**HT 14 OPTIMA HR 400VAC3N 50HZ - DWO1009328 - 3 ways connection - DW114E**

Pos.	Code	Descrizione	Description
1	DW540104	DERIV. 3VIE Y D.12-12-10 PLASTICA	PLASTIC Y-PIECE D.12-12-10
2	DW11807	FASCETTE AISI 430 12/22	CLAMP 12/22 AISI 430
3	DW76082	RAMPA RISC. 11/04-G12/03 COMPLETA	RINSE RISER 11/04 12/03
4	DW13304	GUARNIZIONE PASSATUBO 70SH	PIPE-PASS O-RING
5	DW12006	RACC. TUBO RISC.DIAM.10 COMP. INOX	S/S RINSE PIPE FITTING D.10
6	DW13003	GUARNIZIONE OR 112 NBR	O-RING 112 NBR (MIN. 10 PCS)
7	DW12006/A	DADO3/8x3,5ES.19 X RACC.TUBO DIAM10	"HEXAGONAL NUT 3/8" D.10"
8	DW14506	TUBO GOMMA DIAM 9,5X16 EPDM	9,5X16 EPDM RUBBER HOSE
9	DW2907351	TUBO GOMMA EPDM 11,5X19	11,5X19 EPDM RUBBER HOSE

---

---

HT 14 OPTIMA HR 400VAC3N 50HZ - DWO1009328 - Wash pump group - DW114E



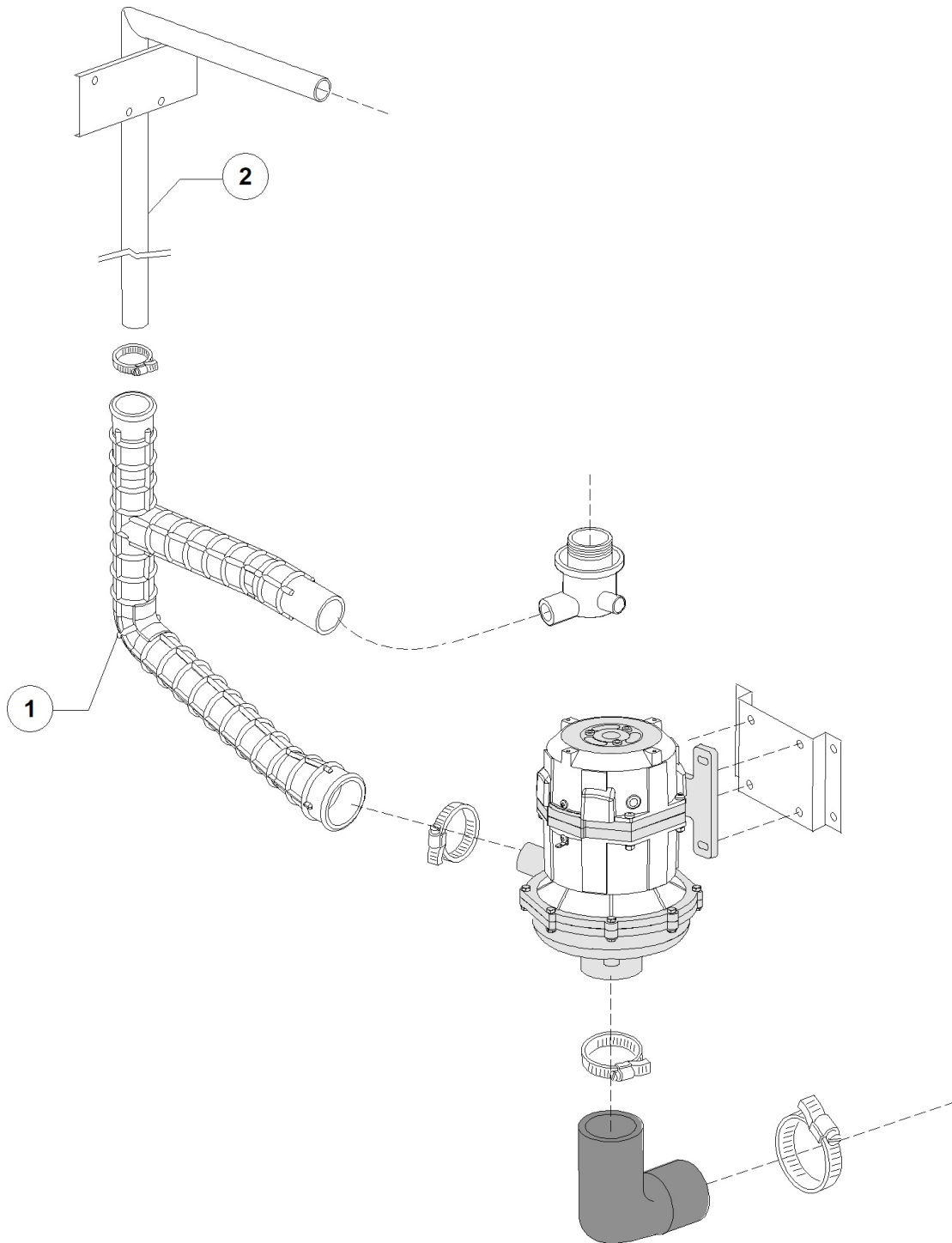
---

---

**HT 14 OPTIMA HR 400VAC3N 50HZ - DWO1009328 - Wash pump group - DW114E**

<b>Pos.</b>	<b>Code</b>	<b>Descrizione</b>	<b>Description</b>
3	DW11700023	STAFFA SUPPORTO POMPA HT14/2013 (N)	PUMP SUPPORT HT14/2013
4	DW11700019	POMPA HP1,2 230/240 MONOF 50Hz HT14/2013	PUMP HP1.2 230-240V/50HZ
5	DW11824	FASCETTA AISI 430 50-70	CLAMP 50/70 AISI 430
6	DW11600100	MANICOTTO ASPIRAZIONE G12/03	SUCTION PIPE COUPLING
7	DW15080	PREMISTOPA+CONTROFACCIA	ROTATING SEALS
8	DW15080/A	#GUARNIZIONE HP 1.5	PUMP GASKET 1,5HP
9	DW15079/I	#GIRANTE POMPA HP1.2 D.98(x pompa 15913)	PUMP ROTOR 1,2HP D.98 (DW15913)

HT 14 OPTIMA HR 400VAC3N 50HZ - DWO1009328 - Wash ramp - DW114E



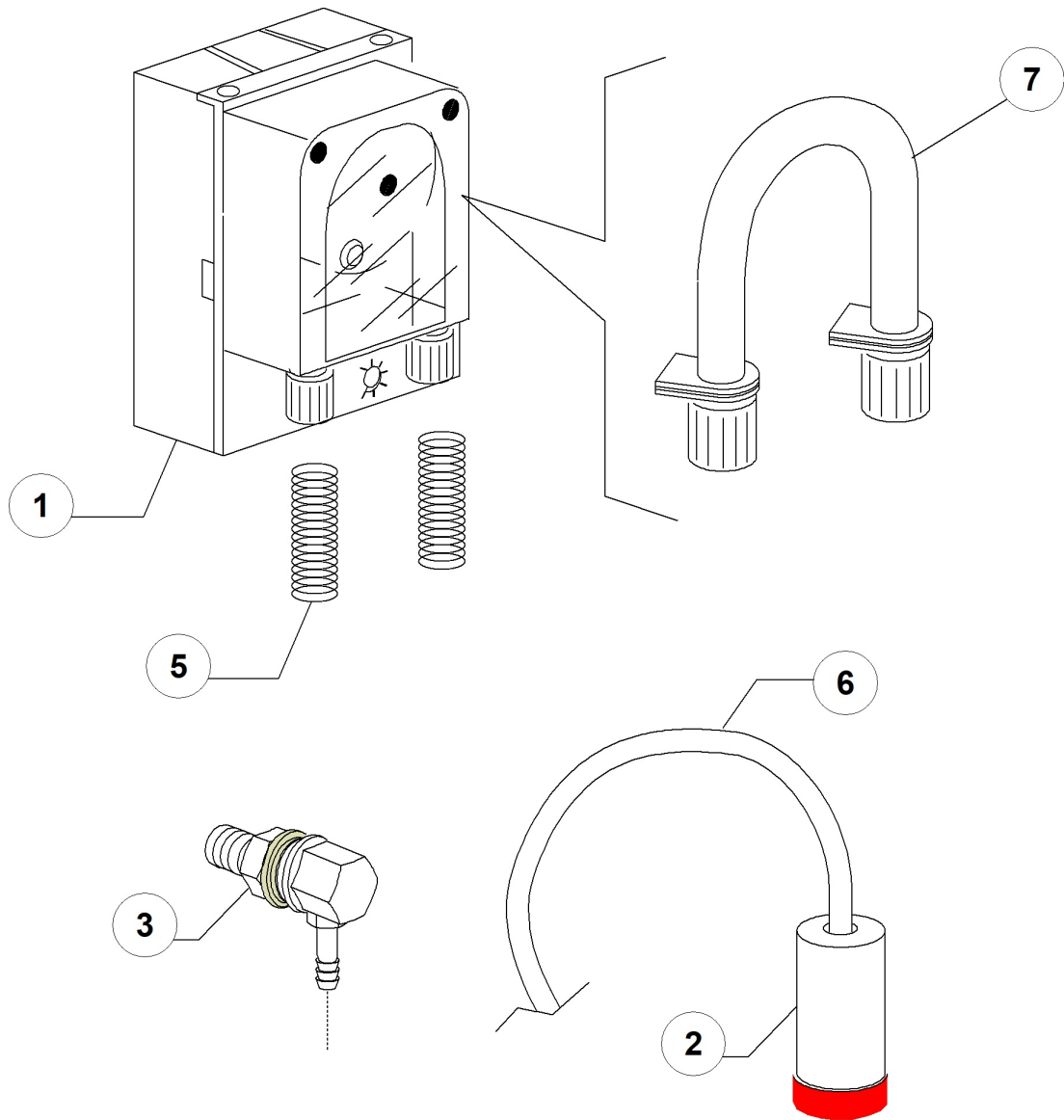
---

---

**HT 14 OPTIMA HR 400VAC3N 50HZ - DWO1009328 - Wash ramp - DW114E**

<b>Pos.</b>	<b>Code</b>	<b>Descrizione</b>	<b>Description</b>
1	DW11700021	MANICOTTO MANDATA LAVAGGIO HT14/2016	WASH DELIVERY PIPE COUPLING
2	DW11600103	RAMPA LAVAGGIO G12/03-11S/03	WASH RISER G12/03 11S/03

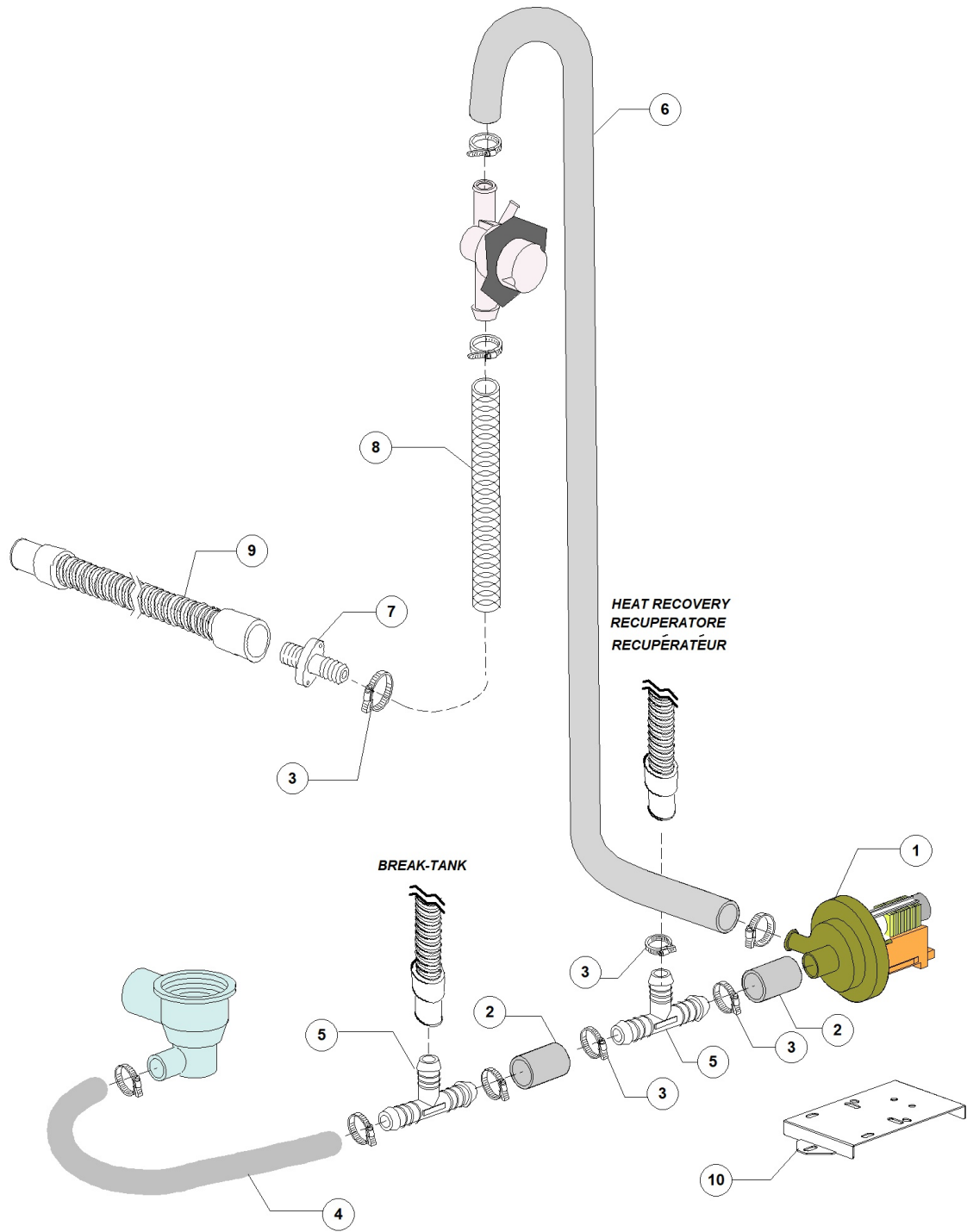
HT 14 OPTIMA HR 400VAC3N 50HZ - DWO1009328 - Dosing detergent group - DW114E



**HT 14 OPTIMA HR 400VAC3N 50HZ - DWO1009328 - Dosing detergent group - DW114E**

Pos.	Code	Descrizione	Description
1	DW15985	DOS.ELETT.DET REGOLABILE 0-3LT/H	DETERGENT DOSING PUMP 0-3L/H
2	DW15058	FILTRINO CON PESO ASPIR. DET/BRIL	SMALL FILTER (MIN. 3 PCS)
3	DW15123	INIETTORE DETER. A GOMITO INOX	S/S DOSING PUMP INJECTOR
5	DW10763	MOLLA D.05 INOX PER TUB. D.6x4 PVC	PIPE S/S SPRING
6	DW14503	TUBO PVC DIAM.6x4 TRASPARENTE	D.6X4 PVC TRANSPARENT HOSE
7	DW15108/E	TUBO TERMOPLASTICO DDE GERMAC	GERMAC DISPENSER THERMOPLASTIC HOSE
7	DW15185	TUBO MEMBRANA DDE SEKO DET.	SEKO DISPENSER THERMOPLASTIC HOSE
7	DW15297	TUBO MEMBRANA DDE SEKO 04/2013	SEKO DISPENSER THERMOPLASTIC HOSE
7	DW15297/T	TUBO TERMOPLASTICO DDE TECNOPRO	TECNOPRO DISPENSER THERMOPLASTIC HOSE
7	DW15985/A	#TUBO TERMOPLASTICO DDE MICRODOS	MICRODOS THERMOPLASTIC PIPE

HT 14 OPTIMA HR 400VAC3N 50HZ - DWO1009328 - Drain pump group - DW114E





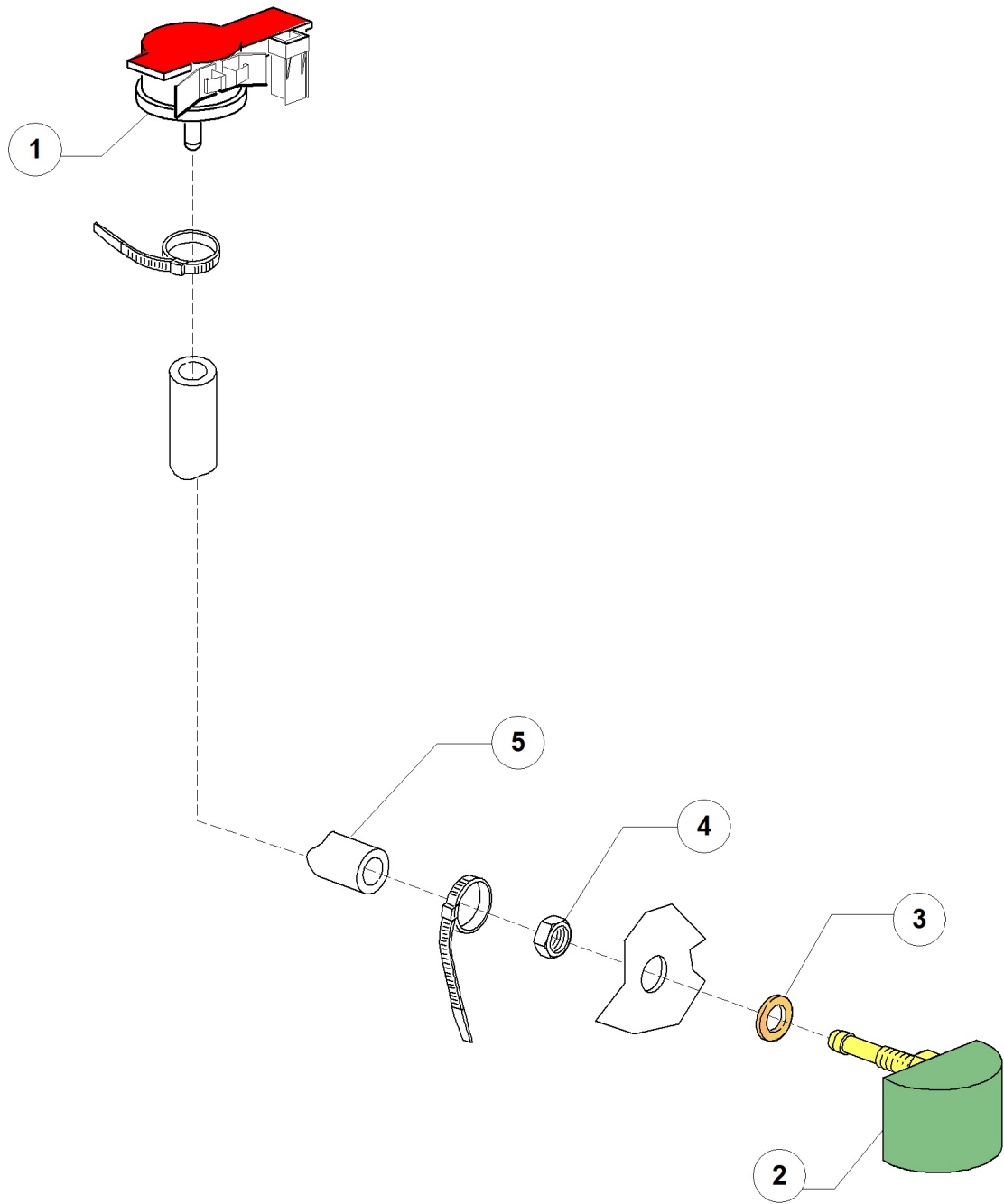
---

---

**HT 14 OPTIMA HR 400VAC3N 50HZ - DWO1009328 - Drain pump group - DW114E**

<b>Pos.</b>	<b>Code</b>	<b>Descrizione</b>	<b>Description</b>
1	DW15101	POMPA SCARICO SINCR. 220/240V 50Hz	DRAIN PUMP 220-240V/50HZ
2	DW18044	TUBO DIAM.28 EPDM LAV.SUP. STAR	D.28 EPDM PIPE
3	DW11806	FASCETTE AISI 430 25/40	CLAMP 25/40 AISI 430
4	DW18044	TUBO DIAM.28 EPDM LAV.SUP. STAR	D.28 EPDM PIPE
5	DW540098	DERIV. 3VIE T D25 PLASTICA	PLASTIC Y-PIECE D.25
6	DW540206	MANICOTTO EPDM SCARICO TOP40-50	DRAIN PIPE COUPLING
7	DW540207	RACCORDO SCARICO 20-28 TOP	PIPE FITTING 20-28 TOP
8	DW14510	TUBO DIAM.19X26 TRASPARENTE SCARICO TOP	TRANSPARENT HOSE D.19X26 TOP DRAIN
9	DW10727	CANNA SCARICO mt.1.5 D.24 PICCOLA	DRAIN HOSE 1,5MT D.24
10	DW23235	STAFFA SUPP. POMPA A.P.	BOOSTER PUMP SUPPORT

HT 14 OPTIMA HR 400VAC3N 50HZ - DWO1009328 - Pressure switch group - DW114E



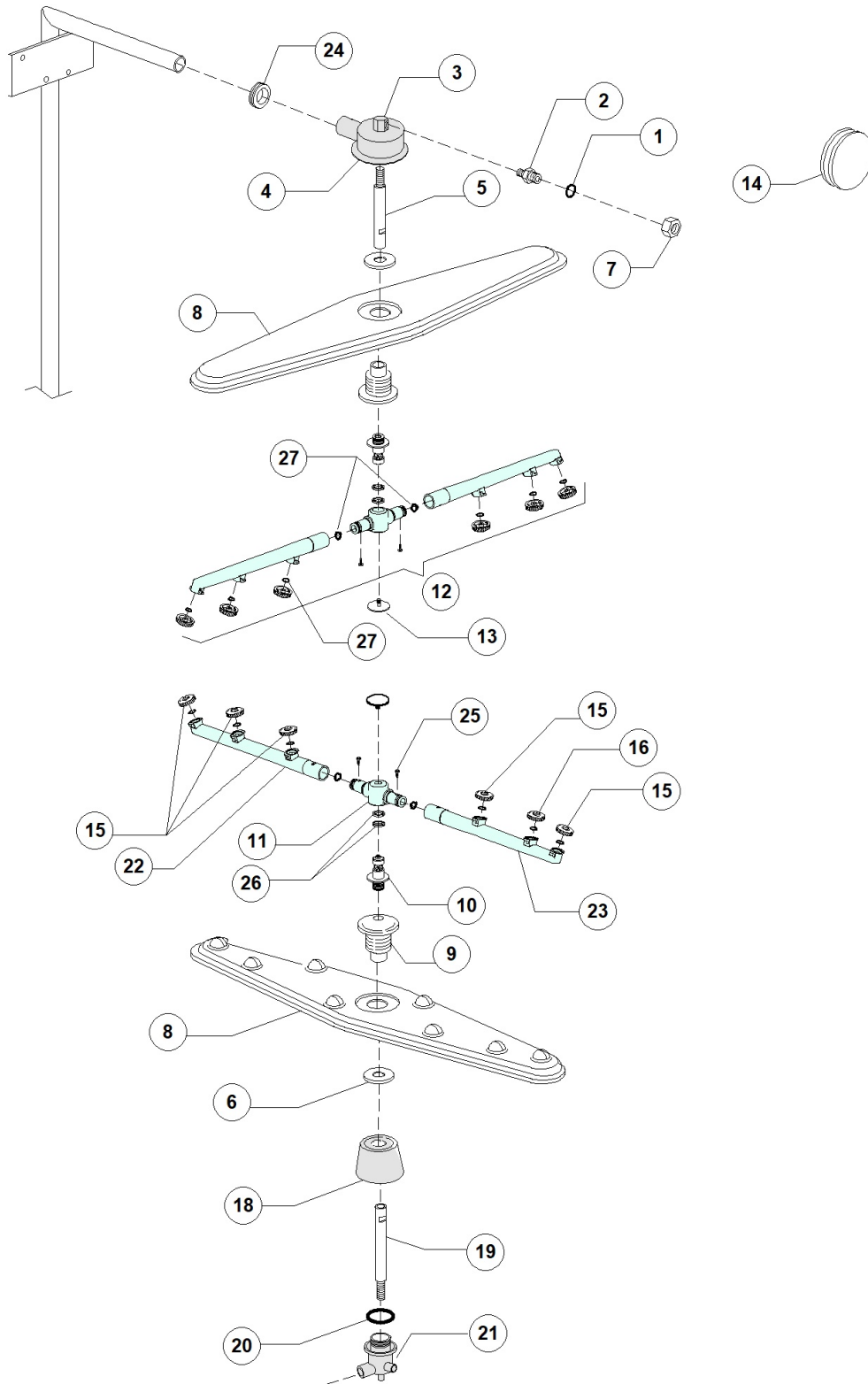
---

---

**HT 14 OPTIMA HR 400VAC3N 50HZ - DWO1009328 - Pressure switch group - DW114E**

<b>Pos.</b>	<b>Code</b>	<b>Descrizione</b>	<b>Description</b>
1	DW540205	PRESSOSTATO LINEARE 0-30 mbar	PRESSURE SWITCH 0-30
2	DW561053	ASS.GABBIA D'ARIA L45 (Portagomma 6,5)	AIR TRAP ASSEMBLY L45
3	DW13301	GUARNIZ. IN FASIT 202 D14x8x1,5	O-RING ROLMART D14X8X1,5
4	DW11702	DADO M8 INOX UNI5588 DIN934	S/S NUT M8 DIN934 (MIN. 20 PCS)
5	DW14509	TUBO PRESSOSTATO 5X9	5X9 PRESSOSTAT HOSE

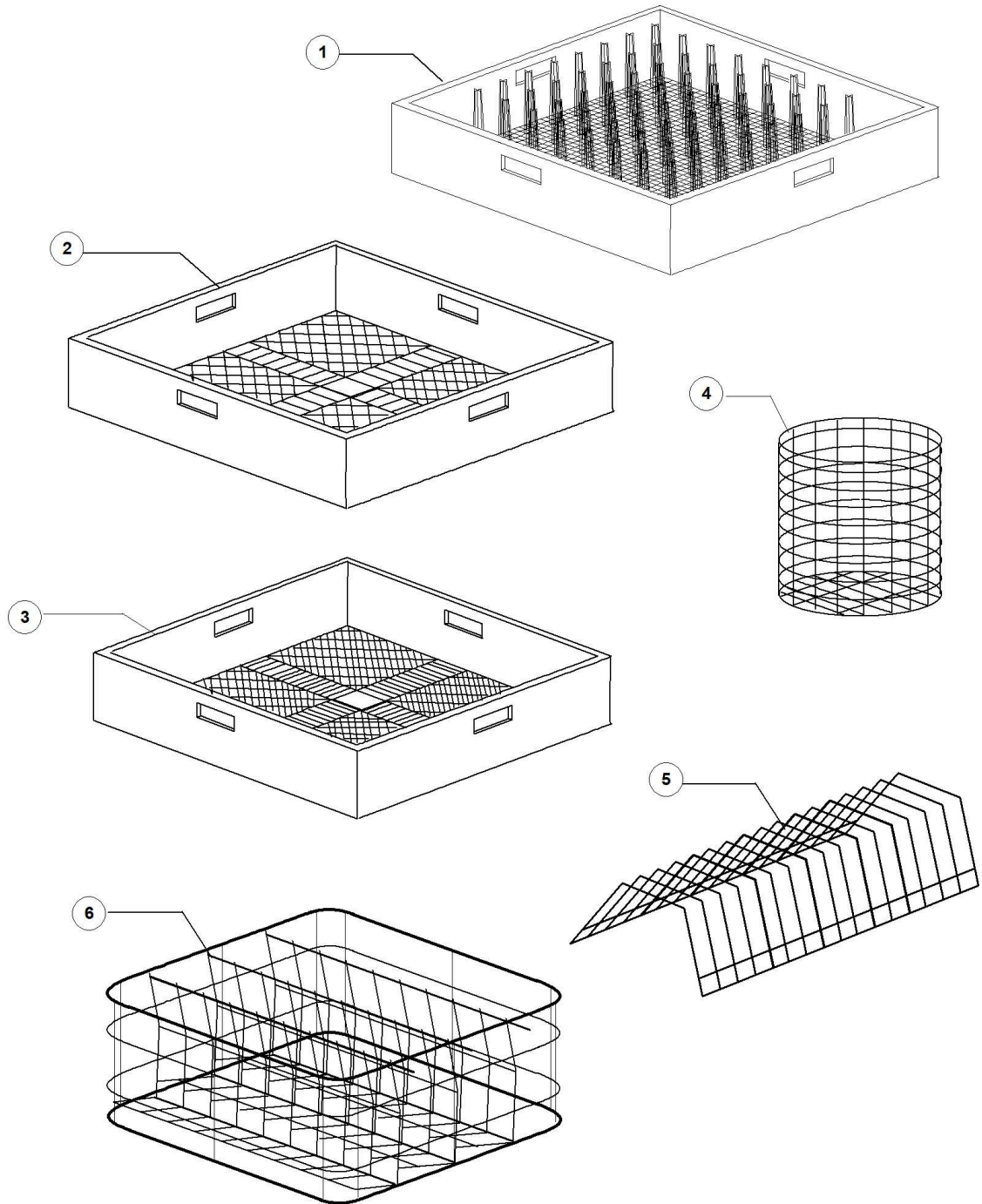
HT 14 OPTIMA HR 400VAC3N 50HZ - DWO1009328 - Turret group with rotating arms - DW114E



**HT 14 OPTIMA HR 400VAC3N 50HZ - DWO1009328 - Turret group with rotating arms - DW114E**

Pos.	Code	Descrizione	Description
1	DW13003	GUARNIZIONE OR 112 NBR	O-RING 112 NBR (MIN. 10 PCS)
2	DW12006	RACC. TUBO RISC.DIAM.10 COMP. INOX	S/S RINSE PIPE FITTING D.10
3	DW75319	"GOMITO RISCIAQUO G 1/4"	"RINSE ELBOW G1/4"
4	DW75067	TORRETTA INOX PER GIRANTE INOX 11S	S/SWASH ARMS' LOWER SUPPORT 11S
5	DW75322	PROLUNGA PER ASSE RISC. SUP 11S 98	UPPER RINSE AXLE EXTENSION
6	DW75317	DADO PER MOZZO GIR. 11S/96	NUT FOR ROTOR HUB 11S/96
7	DW12006/A	DADO3/8x3,5ES.19 X RACC.TUBO DIAM10	"HEXAGONAL NUT 3/8" D.10"
8	DW75915	GIRANTE LAVAGGIO 11/03	WASH ROTOR
9	DW75320	MOZZO PER GIRANTE 11 S 09/98	HUB FOR ROTOR 11S 09/98
10	DW10651	ASSE RISCIAQUO/03	RINSE AXLE 03
11	DW75920/A	MOZZO PER GIRANTE RISCIAQUO 2009	HUB FOR RINSE ROTOR 2009
12	DW75920	GRUPPO RISC.SUP/INF 2009	UPPER/LOWER RINSE ASSEMBLY 2009
13	DW10652	VITE RISCIAQUO/03	RINSE ARM SCREW
14	DW13316/A	GUARNIZIONE CIECA PER FORO DVGW	DVGW HOLE PLUG
15	DW10371	TESTA UGEL. RISC. 95 APER. GRIG.(MIN 10)	OPENED RINSE NOZZLE (BATCH 10PCS)
16	DW10372	TESTA UGEL.RISC.95 CHIU. GRIGIO (MIN 10)	CLOSED RINSE NOZZLE (BATCH 10PCS)
18	DW11700022	MANICOTTO INF.L68mm GRIGIO	GREY LOWER FUNNEL L68
19	DW11600021	ASSE RISCIAQUO INFERIORE G 12S	LOWER RINSE AXLE G12S
20	DW13015	GUARNIZIONE 6225 OR 160 NBR	6225 O-RING 160 NBR
21	DW500621	TORR.INFER.PER GASTRO 12S GRIGIO	WASH ARMS' LOWER SUPPORT G12
22	DW75920/D	TUBO RISC. DX GRIGIO 2009	GREY RIGHT RINSE ARM 2009
23	DW75920/S	TUBO RISC. SX GRIGIO 2009	GREY LEFT RINSE ARM 2009
24	DW76081	GUARN.RAMPA 51x34x14(11/04-G12/03)	RISER GASKET 51X34X14
25	DW11004	VITE TCB D.8 DENTATA 4X10 SPAX	4X10 TCB D.8 SPAX TOOTHED SCREW
26	DW75920/B	ANELLI TENUTA MOZZO RISCIAQUO 2009	BAGUE D'ESPACEMENT
27	DW13002	GUARNIZIONE OR R6 NBR	O-RINGR R6 NBR (MIN. 10 PCS)

HT 14 OPTIMA HR 400VAC3N 50HZ - DWO1009328 - Baskets - DW114E



---

---

**HT 14 OPTIMA HR 400VAC3N 50HZ - DWO1009328 - Baskets - DW114E**

<b>Pos.</b>	<b>Code</b>	<b>Descrizione</b>	<b>Description</b>
1	DWC40	CESTO PIATTI PLASTICA 50X50	PLASTIC PLATES BASKET 500X500
2	DWC44	CESTO BICCHIERI MAGL.LARGA PLASTICA	500X500 LARGE MESH GLASS BASKET
3	DWC41	CESTO POSATE MAG.STRETTA PLASTICA	CUTLERY BASKET - TIGHT MESH (PLASTIC)
4	DW15060	INSERTO CUCCHIAINI GRANDI DIS.G.060	CUTLERY BASKET

