

**cod.DW120E**

data:03/03/2023

**Catalogo ricambi  
Spare parts catalog  
Catalogue de pièces détachées  
Ersatzteilkatalog  
Catálogo de repuestos  
Catálogo de peças de reposição  
Каталог запасных частей**

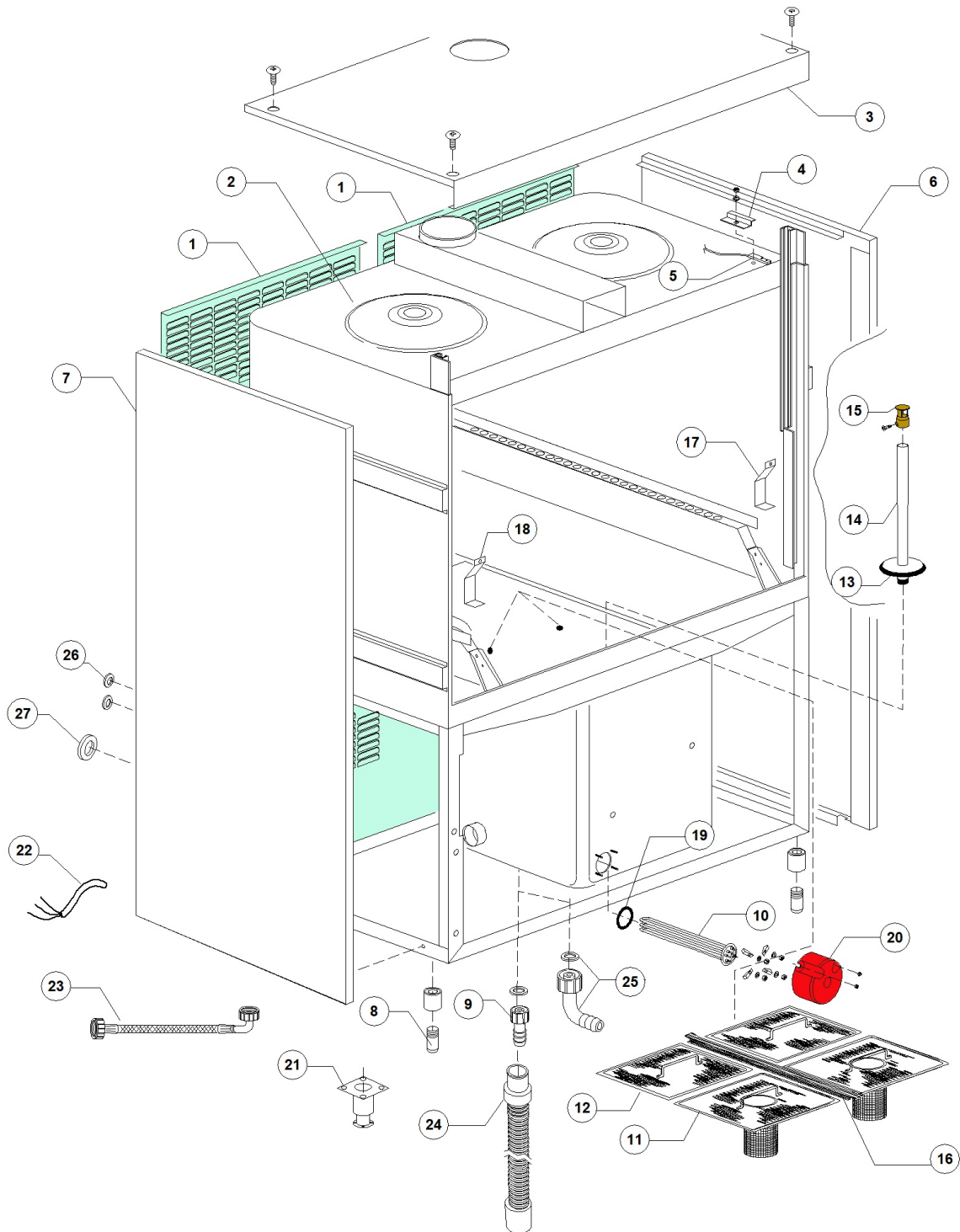
**LP4 S8 TR PLUS PS DDE 400V3N 50HZ**



**S/N:DW01002742**



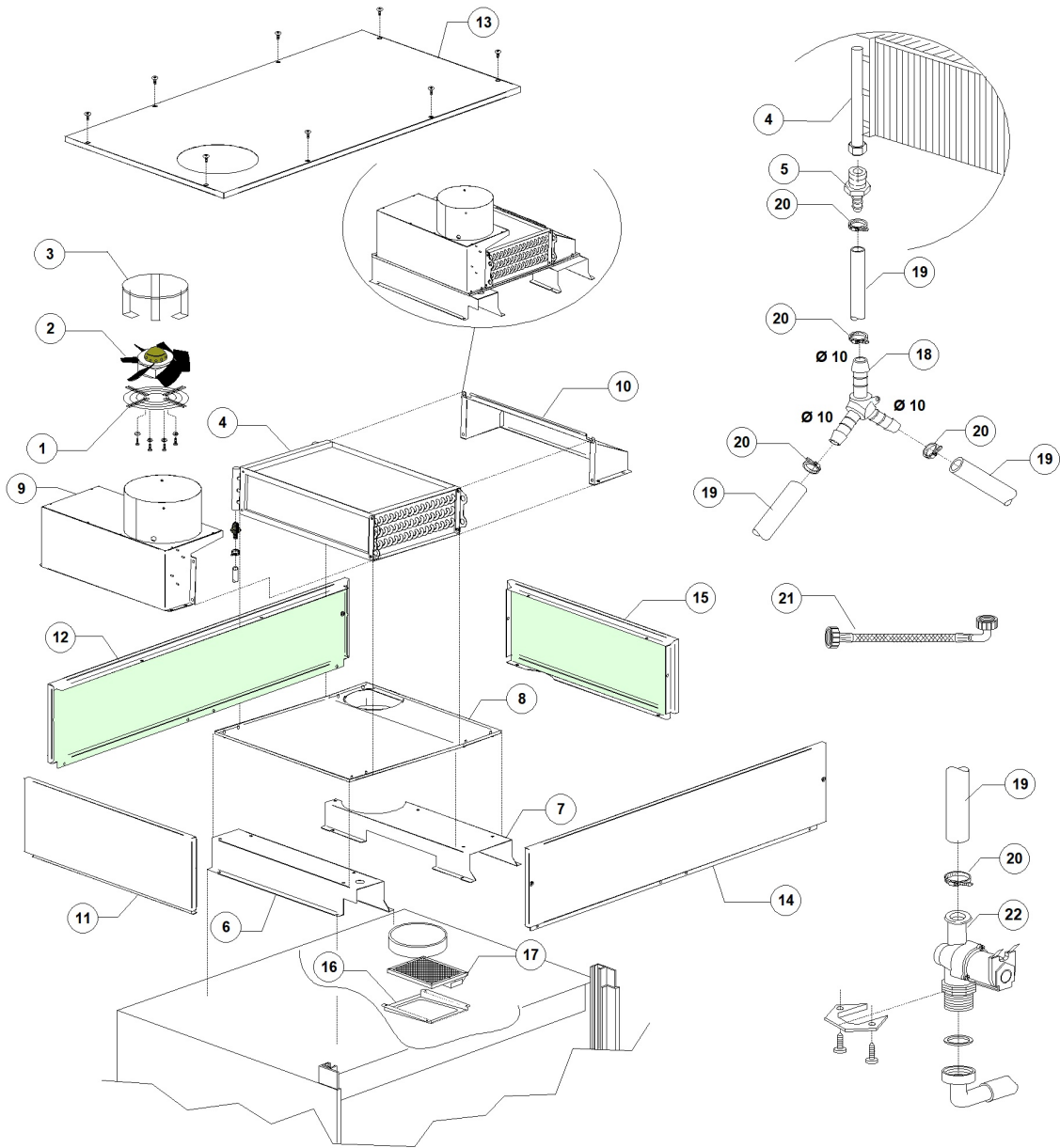
LP4 S8 TR PLUS PS DDE 400V3N 50HZ - DW01002742 - General body parts - DW120E



**LP4 S8 TR PLUS PS DDE 400V3N 50HZ - DWO1002742 - General body parts - DW120E**

Pos.	Code	Descrizione	Description
1	DW93504	SCHIENALE P4S8	BACK PANEL P4S8
2	DW93500	#ASS.CARROZZERIA+PORTE P4S8	BODYWORK+DOORS P4S8
4	DW3009112	PIEG. SUPPORTO MAGNETE PER PORTA	ECONOMIZER MICROSWITCH SUPPORT
5	DW3003112	REED MICRO PORTA E530	MAGNETIC REED SWITCH
6	DW93502	FIANCO LATERALE DX P4S8	RIGHT SIDE PANEL P4S8
7	DW93503	FIANCO LATERALE SX P4S8	LEFT SIDE PANEL P4S8
8	DW80116	"PIEDINO 2" REG. 112-215 A304"	"ADJUSTABLE FOOT 112-215 2""
9	DW15613/A	"PORTAGOMM.SCARICO 1"1/4X32 DRITTO"	"STRAIGHT HOSE CONNECTOR 1"1/4X32"
10	DW30001011	RESIST.9000/9800W 230/240V 3	9000/9800W 230/240V 3 HEATING ELEM.
11	DW11600906	FILTRO VASCA ANT. G12/03 CESTELLO	TANK FRONT FILTER
12	DW11600907	FILTRO VASCA POS. G12/03 & 11/03	TANK BACK FILTER
13	DW11600002	GUARNIZIONE A FLANGIA T.P.GASTRO12S	FLANGE GASKET G12S
14	DW93601	#TUBO TROPPO PIENO P4S8	OVERFLOW PIPE ASSEMBLY P4S8
15	DW11600019	#FINALE PER TROPPOPIENO G 12S GRIGIO	OVERFLOW PIPE PLUG
16	DW93509	TRAVERSO CENTR.SUPP.FILTRO P4S8	CENTRAL TRANSVERS.SUPP.FOR FILTER P4S8
17	DW22254	PARASP.INF.SX/DX LP1-LP1/800-S-S8	LOWER SPLASH GUARD
18	DW22254	PARASP.INF.SX/DX LP1-LP1/800-S-S8	LOWER SPLASH GUARD
19	DW13015	GUARNIZIONE 6225 OR 160 NBR	6225 O-RING 160 NBR
20	DW75311	CUFFIOTTO PER RESISTENZA 26/03/97	HEATING ELEMENT COVER
22	DW80200	CAVO ALIMENTAZIONE 5X4X3400	CABLE 5X4X3400
23	DW10726	CANNA CARICO PICC. WRAS m1,5x3/4 EN61770	LOAD PIPE WRAS M1,5x3/4 EN61770
25	DW15613	"GOMITO NYLON SCARICO 1"1/4X32"	"DRAIN ELBOW 1" 1/4X32"
26	DW13323	PASSACAVO IN GOMMA D.13	RUBBER FAIRLEAD D.13 (MIN. 2 PCS)
27	DW13324	PASSACAVO GOMMA D.46X50	RUBBER FAIRLEAD D.46X50

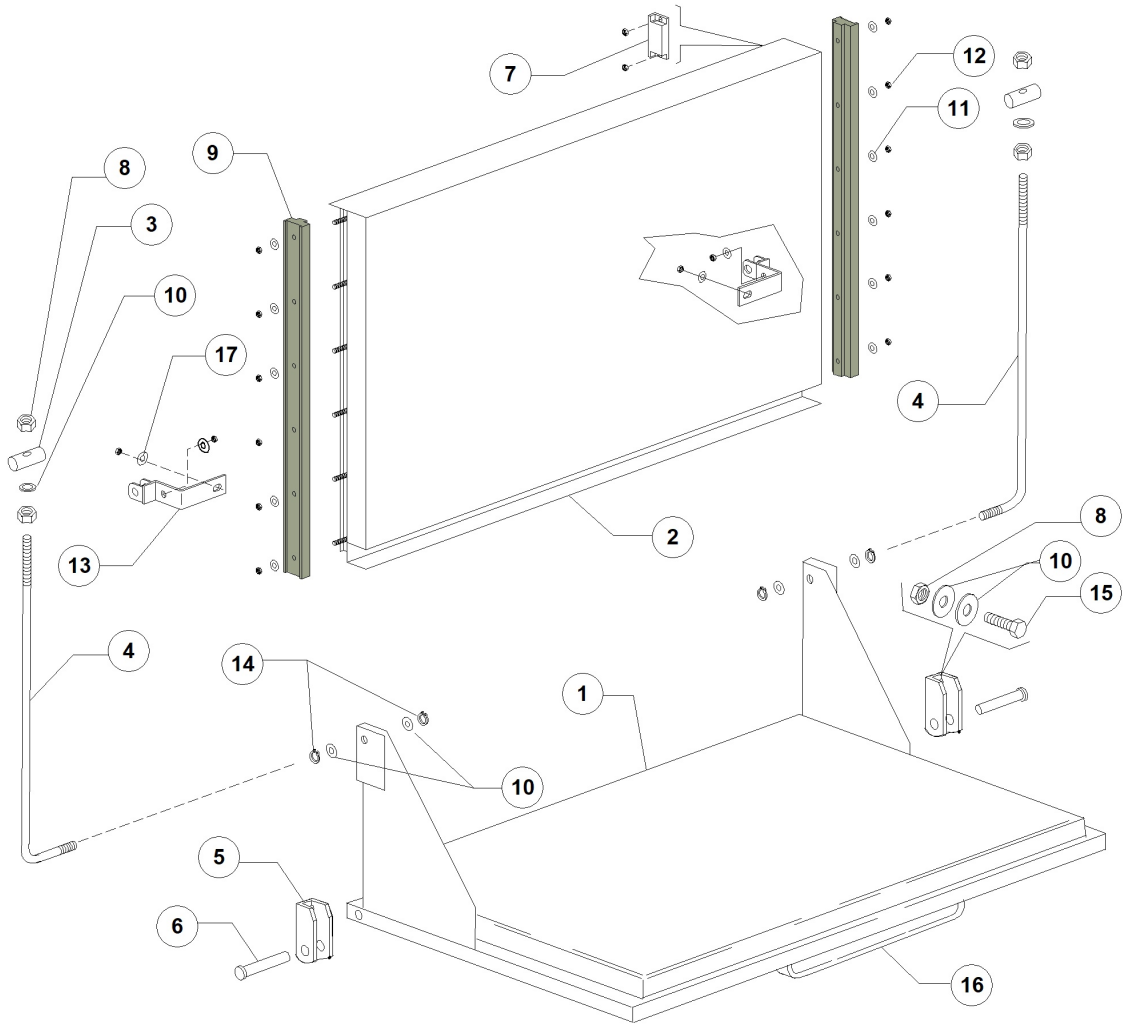
LP4 S8 TR PLUS PS DDE 400V3N 50HZ - DWO1002742 - Heat recovery - DW120E



**LP4 S8 TR PLUS PS DDE 400V3N 50HZ - DWO1002742 - Heat recovery - DW120E**

Pos.	Code	Descrizione	Description
1	DW96121	GRIGLIA SUPPORTO MOTOVENTILATORE	MOTOR FAN SUPPORT GRID
2	DW96120	MOTOVENTILATORE 230/400 V 50-60 HZ	230/400V 50/60HZ FAN MOTOR
3	DW96014	SUP.VENTILATORE E PROT.CAMINO GR/06	
4	DW96519	BATTERIA RECUPERATORE GRANULI - LP 2011	GRANULES HEAT RECOVERY
5	DW12039	PORTAGOMMA M 1/2 diam.10 PG260	MALE HOSE ADAPTER 1/2 diam.10 PG260
6	DW91211	OMEGA MANDATA TR LP2-3-4	
7	DW91210	OMEGA ASPIRAZIONE TR LP2-3-4	
8	DW91200	ASSIEME FONDO TR LP2-3-4	HEAT RECOVERY BOTTOM ASSEMBLY LP2-3-4
9	DW91204	ASSIEME CARTER SUPERIORE TR LP2-3-4	
10	DW91212	CARTER ASPIRAZIONE TR LP2-3-4	
11	DW91213	FIANCO SX-DX TR LP2-3-4	
12	DW93512	FIANCO ANTERIORE-POSTERIORE TR LP4	
13	DW93511	TETTO TR LP4	TOP COVER PANEL TR LP4
14	DW93512	FIANCO ANTERIORE-POSTERIORE TR LP4	
15	DW91213	FIANCO SX-DX TR LP2-3-4	
16	DW91126	SUPPORTO FILTRO (91125) TR P2-3-4S (N)	
17	DW91128	ASSIEME FILTRO BATTERIA TR LP-2-3-4	HEAT RECOVERY COIL FILTER P2S-P3S-P4S8
18	DW540090	DERIV. 3VIE Y D10 PLASTICA	PLASTIC Y-PIECE D.10
19	DW2907352	TUBO GOMMA PVC WRAS BT	PVC WRAS RUBBER HOSE
20	DW11800	FASCETTA AISI 430 8/16 LINER LUNGO	CLAMP 8/16 AISI 430
21	DW10726	CANNA CARICO PICC. WRAS m1,5x3/4 EN61770	LOAD PIPE WRAS M1,5x3/4 EN61770
22	DW10703	ELETTROV. SING. H20 230V DIS.LS036	SINGLE SOLENOID VALVE H20 230V

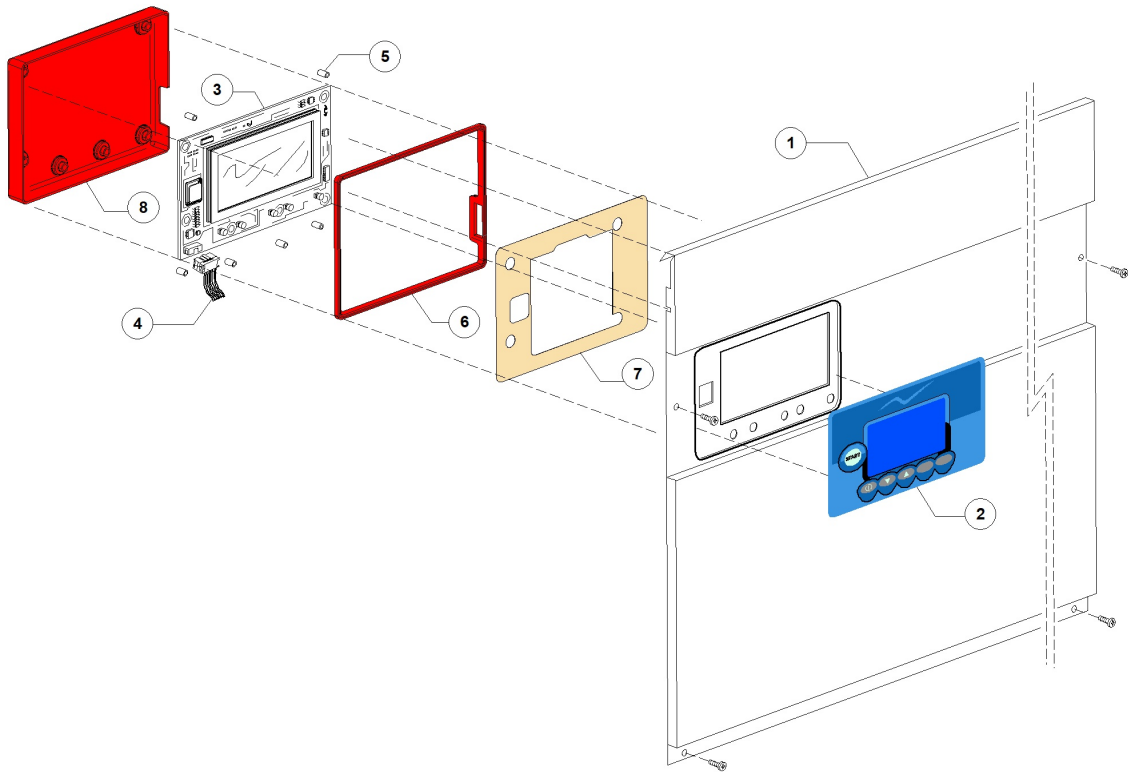
LP4 S8 TR PLUS PS DDE 400V3N 50HZ - DWO1002742 - Door - DW120E



LP4 S8 TR PLUS PS DDE 400V3N 50HZ - DWO1002742 - Door - DW120E

Pos.	Code	Descrizione	Description
1	DW93500/A	#PORTA INFERIORE COMPLETA P4S8	
2	DW93500/B	#PORTA SUPERIORE COMPLETA P4S8	
3	DW22219	CILINDRETTO PER PORTA LP	SMALL DOOR CYLINDERS
4	DW23220	ASTA PORTA INOX LP1/800/LP1S8/P4S8	DOOR ROD
5	DW22206/B	SQUADRA PORTA LP SP.20/10	DOOR HINGE
6	DW22220/A	PERNO INOX PER CERNIERA PORTA LP	DOOR HINGE S/S STUD
7	DW80232	MAGNETE PER REED PER LP	REED MAGNETIC UNIC
8	DW11721	DADO M6 AUTOBL.INOX UNI 7473 DIN982	S/S SELF-LOCKING NUT M6 DIN982 (MIN. 10
9	DW90024	PATTINI SCORRIM.PORTA SUP. LP 1S	DOOR SLIDING GUIDE
10	DW11177	RONDELLA 6X12 INOX PIANA UNI6592 DIN125	6X12 S/S PLAIN WASHER UNI6592 DIN125
11	DW11176	RONDELLA 5X10 PIANA INOX UNI6592 DIN125	5X10 S/S PLAIN WASHER UNI6592 DIN125
12	DW11169	DADO M5 AUTOBLOCCANTE INOX DIN 982	S/S SELF-LOCKING NUT M5 DIN982
13	DW90916	#STAFFA MOV.PORTA SUP.DX/SX LP1 S-S8	DOOR MOVEMENT SUPPORT
14	DW11815	SEEGER DIAM.8 INOX UNI7435	SNAP RING D.8 S/S
15	DW11104/B	VITE INOX M6x16 TE DIN 933	M6X16 TE S/S SCREW DIN933
16	DW80751	MANIGLIA INOX IN ELLITTICO 40x20 INT.470	
17	DW11185	RONDELLA 8X16 PIANA INOX DIN125	8X16 S/S PLANE WASHER DIN125

LP4 S8 TR PLUS PS DDE 400V3N 50HZ - DWO1002742 - Control panel and switches - DW120E





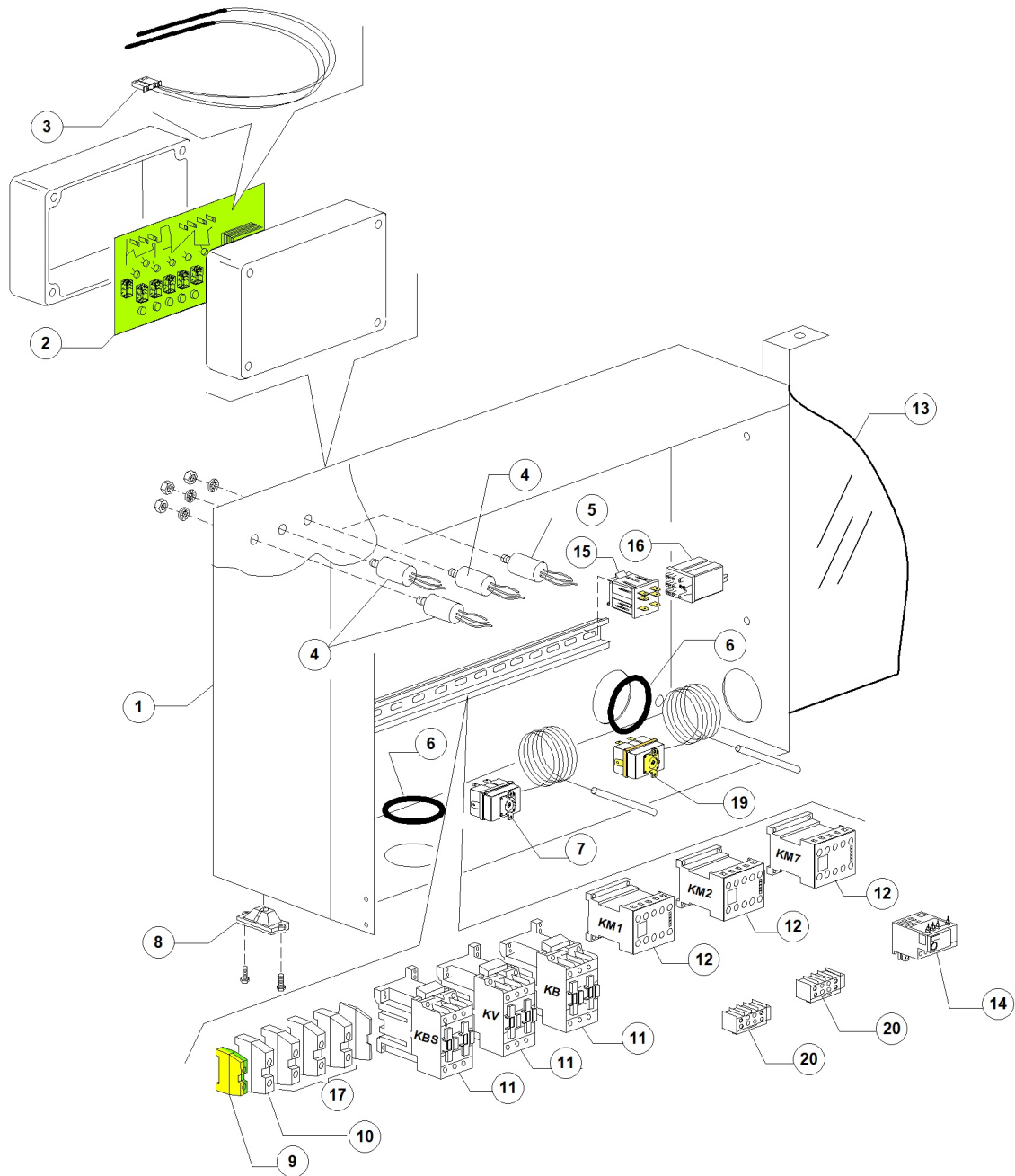
---

---

**LP4 S8 TR PLUS PS DDE 400V3N 50HZ - DWO1002742 - Control panel and switches - DW120E**

Pos.	Code	Descrizione	Description
1	DW93513/A	#SOTTO.PANN. COMANDI P4S8 2011 DIHRgran	FRONT PANEL/CONTROL PANEL P4S8/11 DIHR
2	DW96704	MOSTR.TAST.MEMBR.DIHR DISPLAY 240X160	SELF-ADHESIVE SILK-SCREEN PRINTED PLATE
3	DW50650	TASTIERA CON DISPLAY 240X160 VERS.09	KEY BOARD WITH DISPLAY 240X160 VERS.09
4	DW50651	"PIATTINA MULTIFILO "F16p" L1000"	RIBBON CABLE F16p L1000
5	DW50561	DIST. SCHEDE ELETTR. 2009 D.8X10	MAINBOARD SPACER D.8X10
6	DW50650/B	GUARNIZIONE PER SCATOLA 50650/A	PROTECTION BOX GASKET DW50650/A
7	DW96716	PROTEZ. ISOLANTE ADES. DISPLAY 240X160	PUSH BUTTON PANEL INSULATING PROTECTION
8	DW50650/A	SCATOLA PROT. SCHEDA 50650 (168X122X19)	ELECTRONIC BOARD PROTECTION BOX 50650

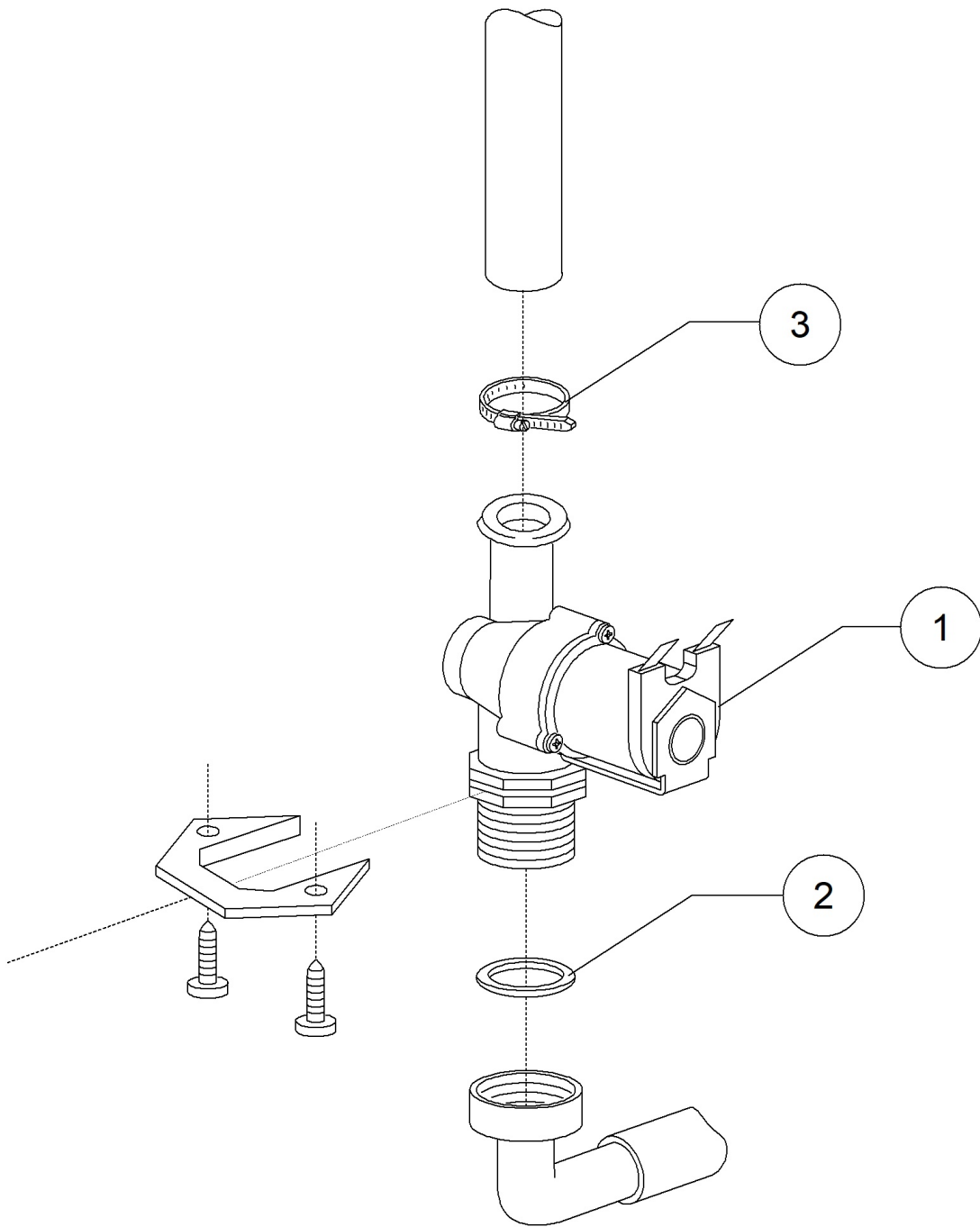
LP4 S8 TR PLUS PS DDE 400V3N 50HZ - DWO1002742 - Electric control components - DW120E



**LP4 S8 TR PLUS PS DDE 400V3N 50HZ - DWO1002742 - Electric control components - DW120E**

Pos.	Code	Descrizione	Description
1	DW91001	PORTACOMPONENTI P2S-P3S-P4S8-GR/06-GR/09	ELECTRIC COMPONENTS PANEL POT/GRANULES
2	DW91120	SCHEDA MADRE P2S-P3S-P4S8 PLUS 2009 (BL)	
3	DW50562	SONDA TERMOSTATO SCHEDA DIHRECO2	THERMOSTAT PROBE DIHRECO2
4	DW15149	FILTRO ANTIDIS.F3 (CX0.47MF)	LOW NOISE FILTER F3 (CX0.47MF)
6	DW13324	PASSACAVO GOMMA D.46X50	RUBBER FAIRLEAD D.46X50
7	DW2000430	TERMOSTATO DI SICUR. 110 1500PVC	SAFETY THERMOSTAT 110 1500PVC
8	DW15065/A	FISSACAVO PER VITI AUTOF (NR.2x11007)	CABLE-FASTENER WITH SCREW
9	DW3006173	MORSETTO 16mmqSL-16 GIALLO-VERDE	TERMINAL 16mmq YELLOW/GREEN
10	DW3006155	MORSETTO NEUTRO 16mmq BLU	TERMINAL 16mmq BLEU
11	DW10300050	TELERUTT. 25A/12A 4NA 230V 50-60HZ	CONTACTOR 25A/12A 4NA 230V 50-60HZ
12	DW15316	#TELER.230V 50/60Hz 4C AC3(DARE DW15086)	CONTACTOR 230V 50/60Hz 4C AC3(9A)
13	DW11600039	PROTEZ. COMPON. ELET. G12 415X285X1	ELECTRICAL COMPONENTS PROTECTION
14	DW96712	RELE TERMICO 0,31-0,41A ABB	
15	DW16047	RELE TRIP.16A 230VAC 50/60Hz	TRIPOLAR RELAY 16A 230VAC 50/60Hz
16	DW560301	RELE'FINDER 230V 50/60Hz GUIDA DIN	RELAY 230V 50/60Hz DIN RAIL
17	DW3006082	MORSETTO 16mmqSL-16	TERMINAL 16mmq
19	DW3072158	TERMOSTATO DI SICUR. 90 1500PVC	SAFETY THERMOSTAT 90 1500PVC
20	DW3006068	CONTATTI AUSI.X MC9.10 24V 1NA1NO	MC9 AUXILIARY CONTACT 1NO-1NC

LP4 S8 TR PLUS PS DDE 400V3N 50HZ - DWO1002742 - Solenoid valve group - DW120E



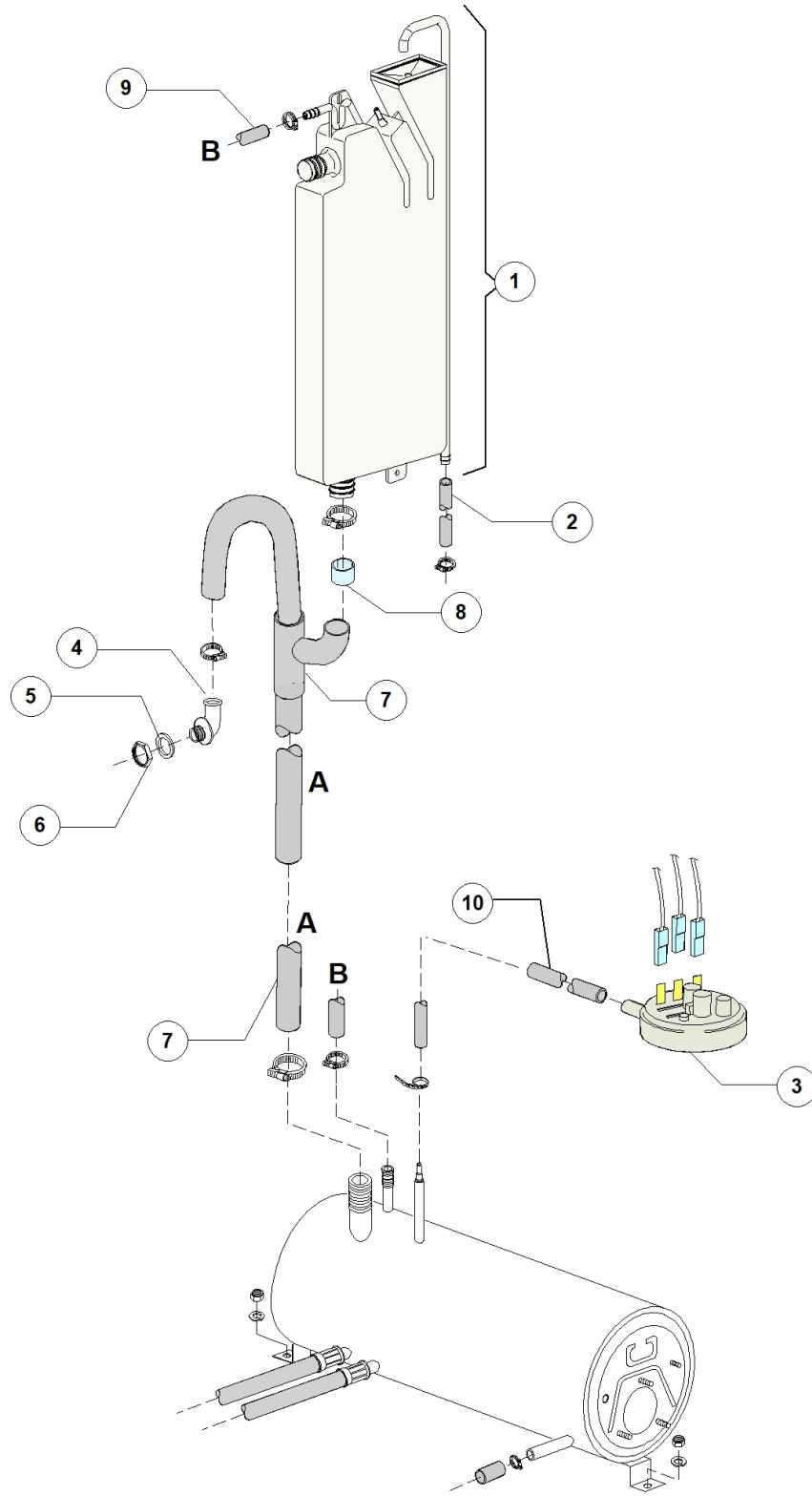
---

---

**LP4 S8 TR PLUS PS DDE 400V3N 50HZ - DWO1002742 - Solenoid valve group - DW120E**

<b>Pos.</b>	<b>Code</b>	<b>Descrizione</b>	<b>Description</b>
1	DW10703	ELETTROV. SING. H20 230V DIS.LS036	SINGLE SOLENOID VALVE H20 230V
2	DW13307	GUARNIZ. 3/4 CARICO H20 DIS.LS061	GUARNIZ. 3/4 CARICO H20 DIS.LS061
3	DW11807	FASCETTE AISI 430 12/22	CLAMP 12/22 AISI 430

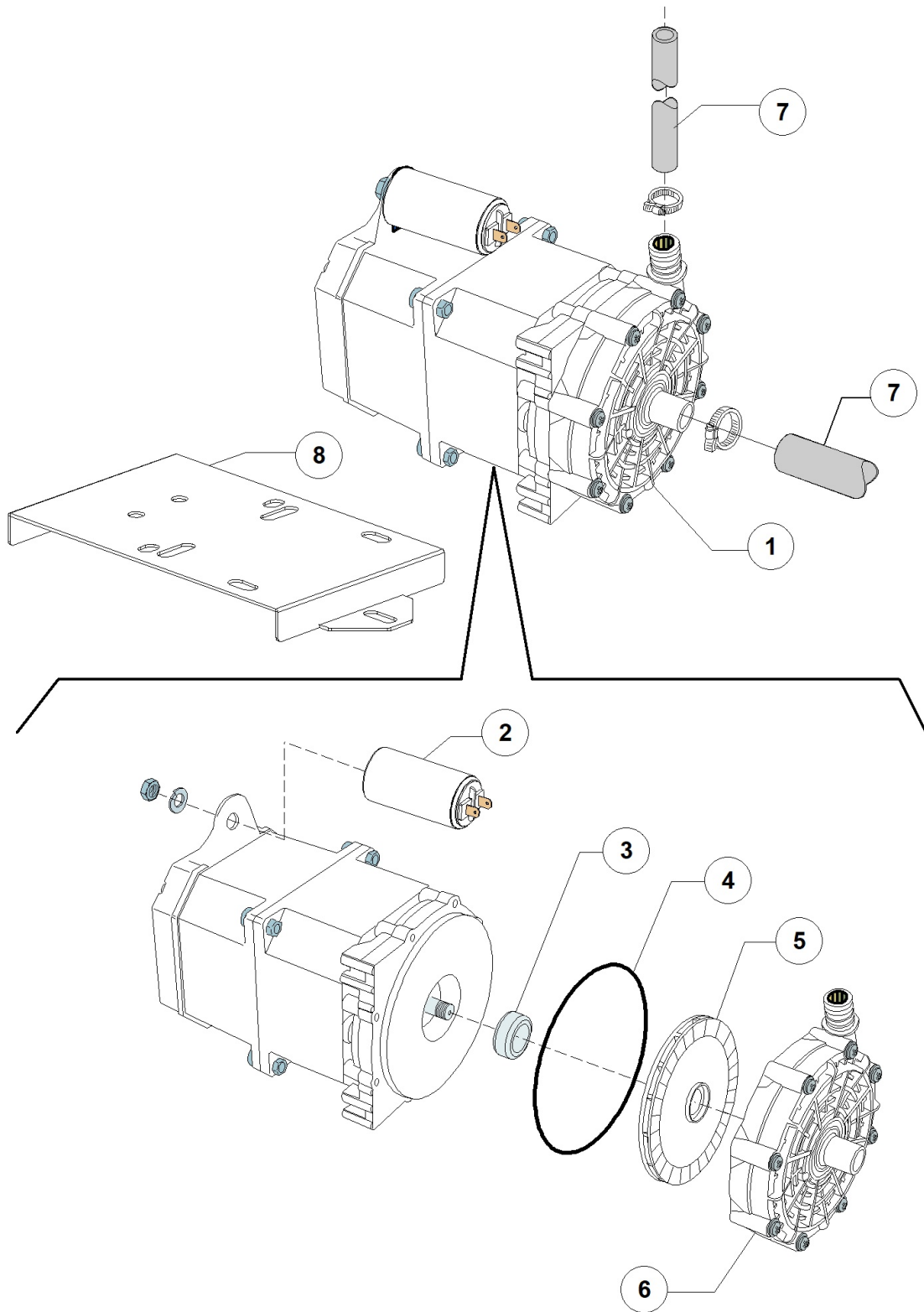
LP4 S8 TR PLUS PS DDE 400V3N 50HZ - DWO1002742 - Break Tank - DW120E



LP4 S8 TR PLUS PS DDE 400V3N 50HZ - DWO1002742 - Break Tank - DW120E

Pos.	Code	Descrizione	Description
1	DW15720	ASSIEME BREAK TANK 3.5	BREAK TANK ASSEMBLY 3.5LT
2	DW2907352	TUBO GOMMA PVC WRAS BT	PVC WRAS RUBBER HOSE
3	DW10706/A	"PRESSOSTATO "EL." 46-26"	PRESSURE SWITCH 46-26
4	DW10701	GOMITO SCARICO DIS.LS035	DRAIN ELBOW
5	DW13305	GUARN.GOM.SCARICO 44x32x3 DIS.LS061	O RING FOR DRAIN ELBOW 44x32x3 DIS.LS061
6	DW11701/A	DADO INOX PER PIL. SCAR.	S/S NUT
7	DW91112	MAN.CARICO/SICUREZZA P2S-P3S-P4S8	LOADING/SAFETY PIPES ASSEMBLY
8	DW12533	RINFORZO COLLARE USCITA BREAK TANK	BREAK TANK OUTLET COLLAR REINFORCEMENT
9	DW2907351	TUBO GOMMA EPDM 11,5X19	11,5X19 EPDM RUBBER HOSE
10	DW14508	TUBO EPDM 4.5X9 PER PRESSOSTATO	EPDM HOSE 4.5X9 FOR PRESSURE SWITCH

LP4 S8 TR PLUS PS DDE 400V3N 50HZ - DWO1002742 - Rinsing pump / Booster pump - DW120E





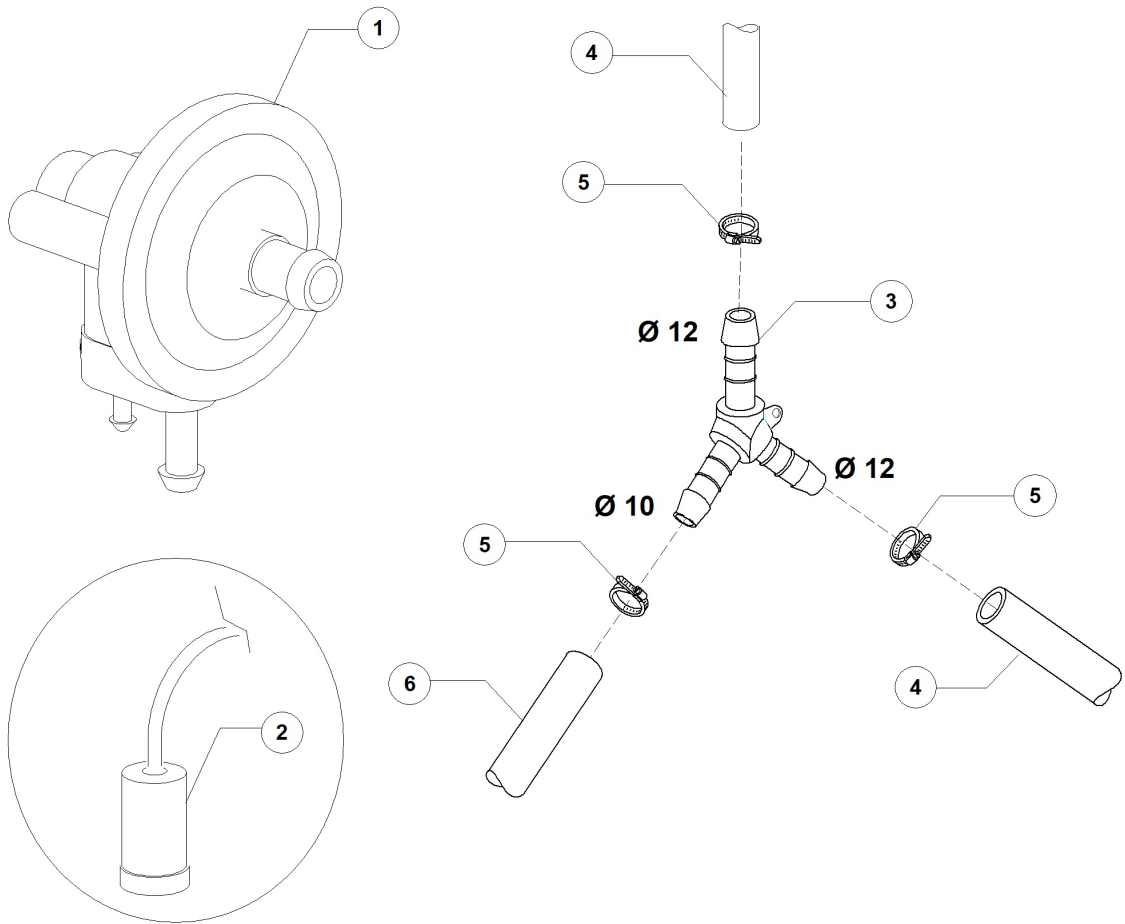
---

---

**LP4 S8 TR PLUS PS DDE 400V3N 50HZ - DWO1002742 - Rinsing pump / Booster pump - DW120E**

Pos.	Code	Descrizione	Description
1	DW15100/DO	POMPA RISCIAQUO 220-240/50 (PLUS)	RINSE PUMP 220-240V/50HZ (PLUS)
2	DW16043	#CONDENSATORE POMPA uf8	uf8 CONDENSER
3	DW15100/S	TENUTE ROTANTI EPDM(15100/DO)	EPDM ROTARY SEAL (15100/DO)
4	DW15100/T	OR EPDM(15100/DO)	O-RING EPDM (15100/DO)
5	DW15100/U	#GIRANTE 90X2.5 (15100/DO)	PUMP ROTOR 90X2.5 (DW15100/DO)
6	DW15100/V	#CHIOCCIOLA ANTE. (15100/DO)	SCROLL FOR PUMP 15100/DO
7	DW2907351	TUBO GOMMA EPDM 11,5X19	11,5X19 EPDM RUBBER HOSE
8	DW23235	STAFFA SUPP. POMPA A.P.	BOOSTER PUMP SUPPORT

LP4 S8 TR PLUS PS DDE 400V3N 50HZ - DWO1002742 - Rinse aid dispenser group - DW120E



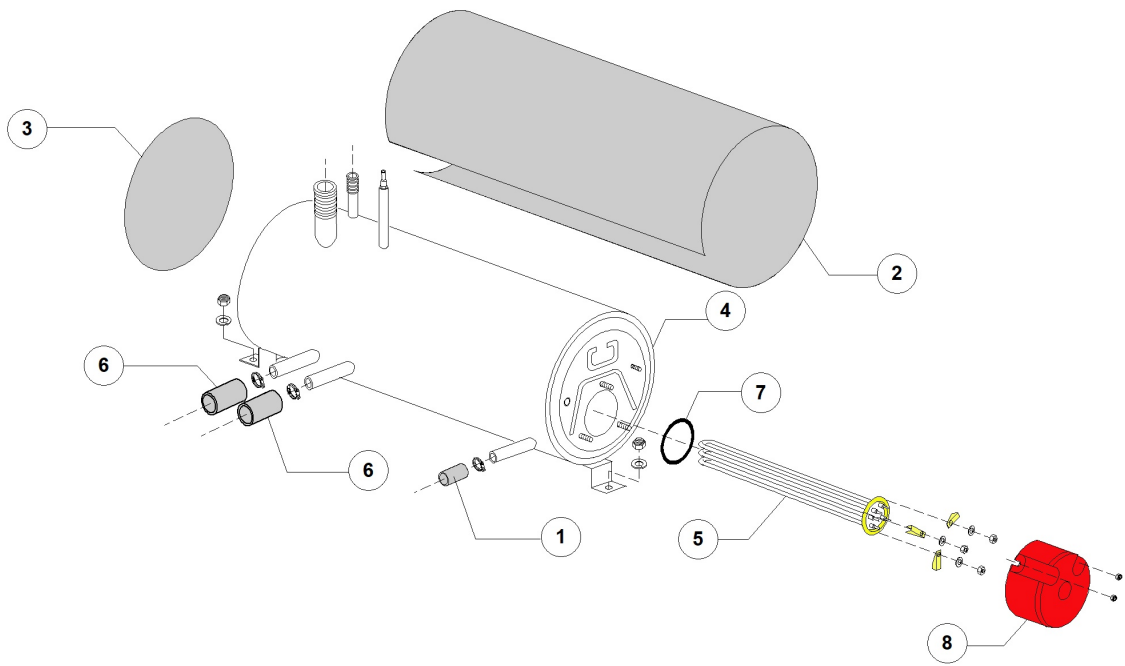
---

---

**LP4 S8 TR PLUS PS DDE 400V3N 50HZ - DWO1002742 - Rinse aid dispenser group - DW120E**

<b>Pos.</b>	<b>Code</b>	<b>Descrizione</b>	<b>Description</b>
1	DW10799/G	DOSATORE BRILLANTANTE	RINSE AID DOSING PUMP
2	DW15058	FILTRINO CON PESO ASPIR. DET/BRIL	SMALL FILTER (MIN. 3 PCS)
3	DW540105	DERIV. 3VIE Y D.10-12-12 (DOSATORE)	Y-PIECE D.10-12-12
4	DW2907351	TUBO GOMMA EPDM 11,5X19	11,5X19 EPDM RUBBER HOSE
5	DW11807	FASCETTE AISI 430 12/22	CLAMP 12/22 AISI 430

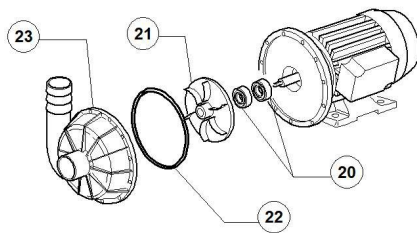
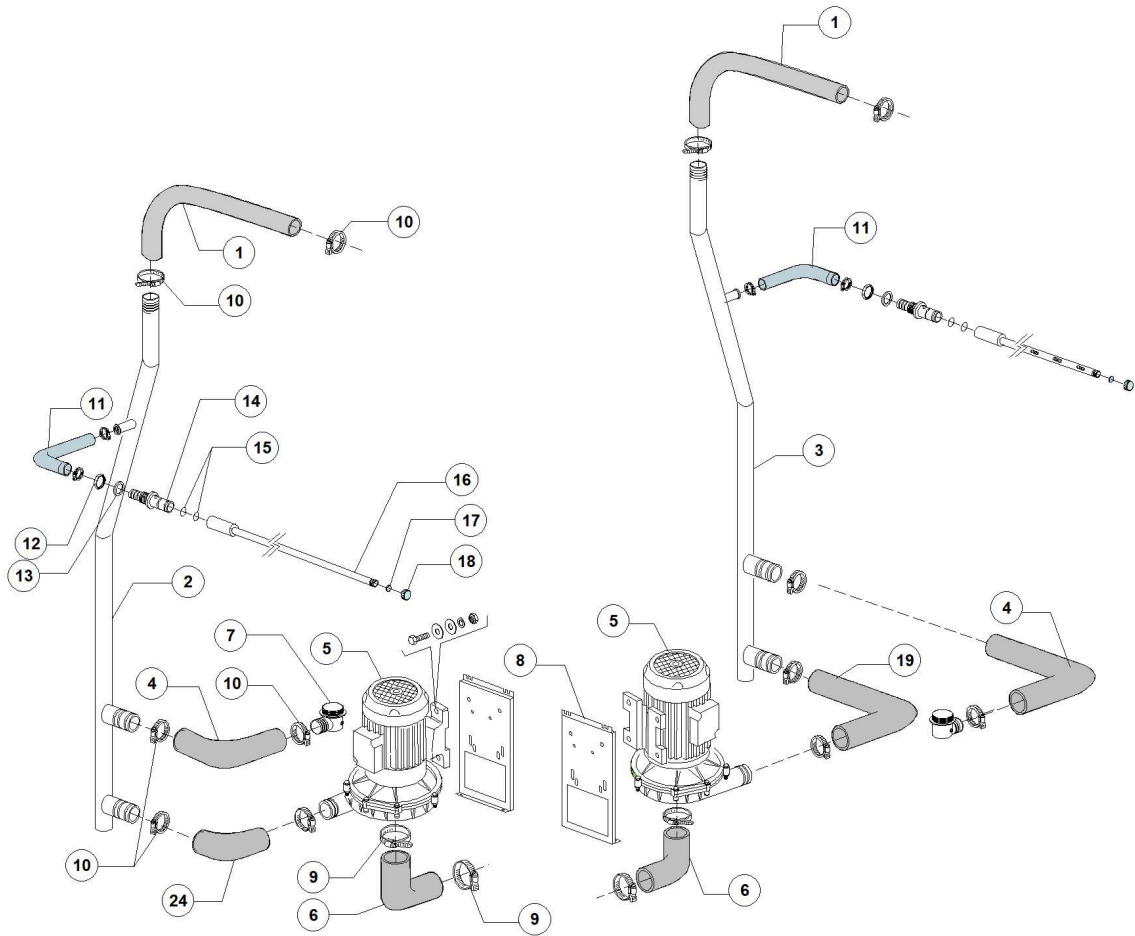
LP4 S8 TR PLUS PS DDE 400V3N 50HZ - DWO1002742 - Boiler group - DW120E



**LP4 S8 TR PLUS PS DDE 400V3N 50HZ - DWO1002742 - Boiler group - DW120E**

Pos.	Code	Descrizione	Description
1	DW10200293	TUBO EPDM 8X15 PER DOSATORE	8X15 EPDM PIPE
2	DW91116	COIBENTE BOILER (91104) 600X680	BOILER INSULATING 600X680
3	DW91115	DISCO IN ESPANSOLENE AUTOESTING.D.190X3	INSULATING DISK D.190
4	DW91104	BOILER ATMOSFERICO D190x680 BA(AISI 316)	ATMOSPHERIC BOILER D190x680 BA(AISI 316)
5	DW30001011	RESIST.9000/9800W 230/240V 3	9000/9800W 230/240V 3 HEATING ELEM.
6	DW2907351	TUBO GOMMA EPDM 11,5X19	11,5X19 EPDM RUBBER HOSE
7	DW13015	GUARNIZIONE 6225 OR 160 NBR	6225 O-RING 160 NBR
8	DW75311	CUFFIOTTO PER RESISTENZA 26/03/97	HEATING ELEMENT COVER

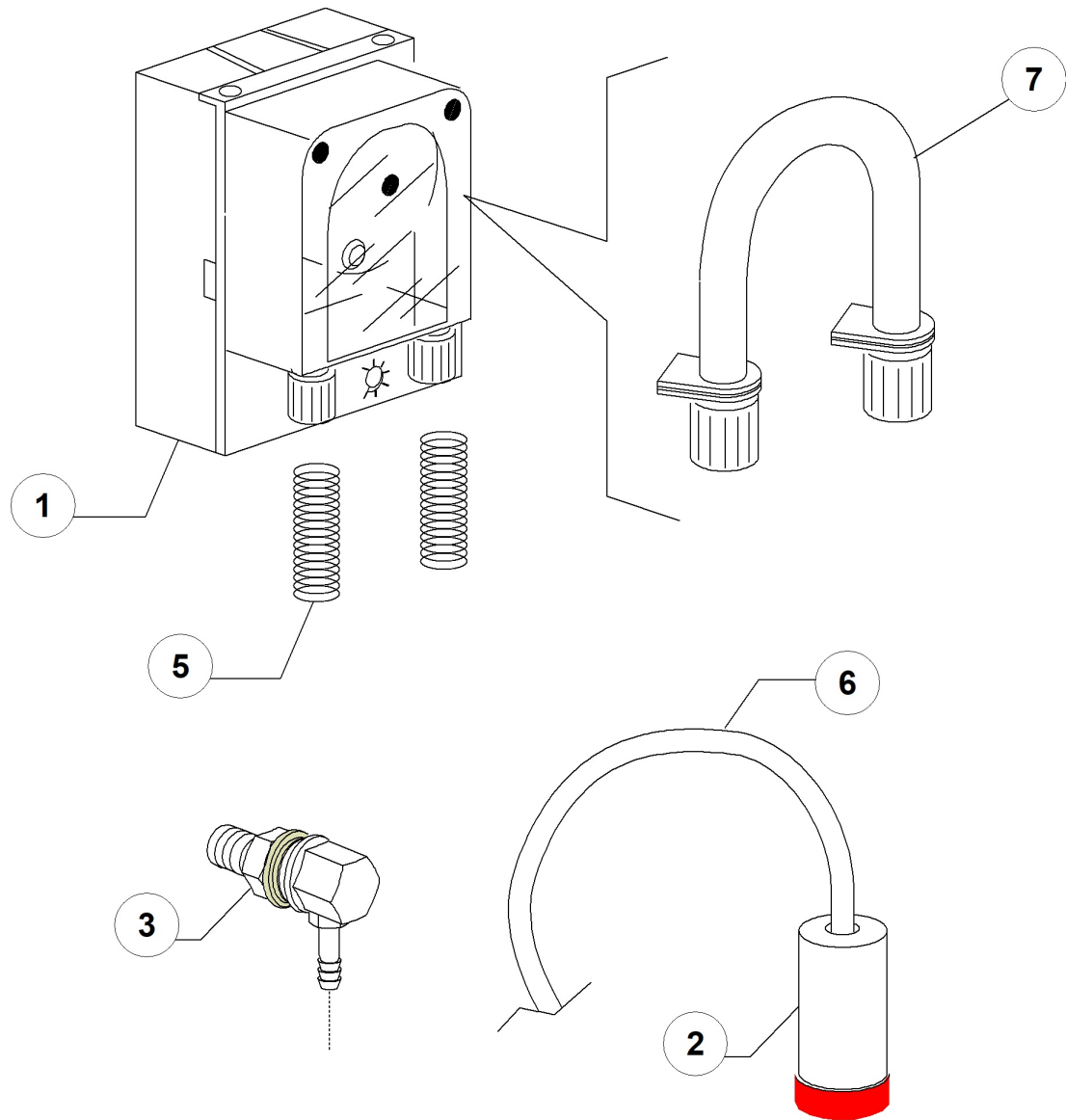
LP4 S8 TR PLUS PS DDE 400V3N 50HZ - DW01002742 - Wash pump group - DW120E



**LP4 S8 TR PLUS PS DDE 400V3N 50HZ - DWO1002742 - Wash pump group - DW120E**

Pos.	Code	Descrizione	Description
1	DW92102	MANICOTTO MANDATA A L 50/45	DELIVERY PIPECOUPLING 50/45
2	DW93604	RAMPA LAVAGGIO P4S8 SX	LEFT WASH RISER P4S8
3	DW93603	RAMPA LAVAGGIO P4S8 DX	RIGHT WASH RISER P4S8
4	DW91106	MANICOTTO MANDATA A L 45/45	DELIVERY PIPE COUPLING 45/45
5	DW80912	POMPA HP3,7 220/380V 50Hz	PUMP HP3.7 220-380V/50HZ
6	DW3002020	EPDM D.60 MANICOTTO A GOMITO EPDM D.60	ELBOW PIPE COUPLING D.60
7	DW90008	TORRET.INF/SUP.PER GIRELLO LP1 S-S8	WASH ARMS'LOWER / UPPER SUPPORT P1S/S8
8	DW93508	SUPPORTO POMPA DX-SX P4S8	WASH PUMP SUPPORT P4S8
9	DW2902491	FASCETTA AISI-430 60/80	CLAMP 60/80 AISI 430
10	DW11824	FASCETTA AISI 430 50-70	CLAMP 50/70 AISI 430
11	DW92104	MAN.MANDATA BRACCI LAT.P3S-P4S8	SIDE ARMS PIPE COUPLING
12	DW2200103	DADO 3/4 ES.32X8 OTTONE PER TRAINO	HEXAGONAL BRASS NUT 3/4
13	DW13326	GUARNIZIONE D.38X27X2	GASKET D.38X27X2
14	DW92106	INNESTO MASCHIO TUBO LAV.P3S-P4S8	WASH ARM COUPLING
15	DW13025	GUARNIZIONE OR 2081	O-RING 2081
16	DW93605	TUBO LAVAGGIO LATERALE P4S8	SIDE WASH ARM P4S8
17	DW2002051	GUARN. EPDM TAPPO RISC. D.17,5X1,5	GASKET EPDM D.17,5X1,5
18	DW2002054	TAPPO M18X1 D21X9	PLUG M18X1 D21X9
19	DW93607	MANICOTTO GOMITO 63/60	ELBOW PIPE COUPLING 63/60
20	DW80912/B	#TENUTA MECCAN.POMPA HP3,6 MOD.2275	3,6HP PUMP SEAL
21	DW80912/A	#GIRANTE POMPA HP3.6 D.110 F2275	PUMP ROTOR
22	DW80912/D	#GUARNIZIONE POMPA HP3,6 MOD.2275	PUMP GASKET
23	DW80912/C	#CHIOCCIOLA POMPA HP3,6 MOD.2275	3,6HP PUMP SCROLL
24	DW3002020/S	GOMITO MANDATA TELATO EPDM D60 INT. S7	EPDM DELIVERY ELBOW D.60

LP4 S8 TR PLUS PS DDE 400V3N 50HZ - DWO1002742 - Dosing detergent group - DW120E

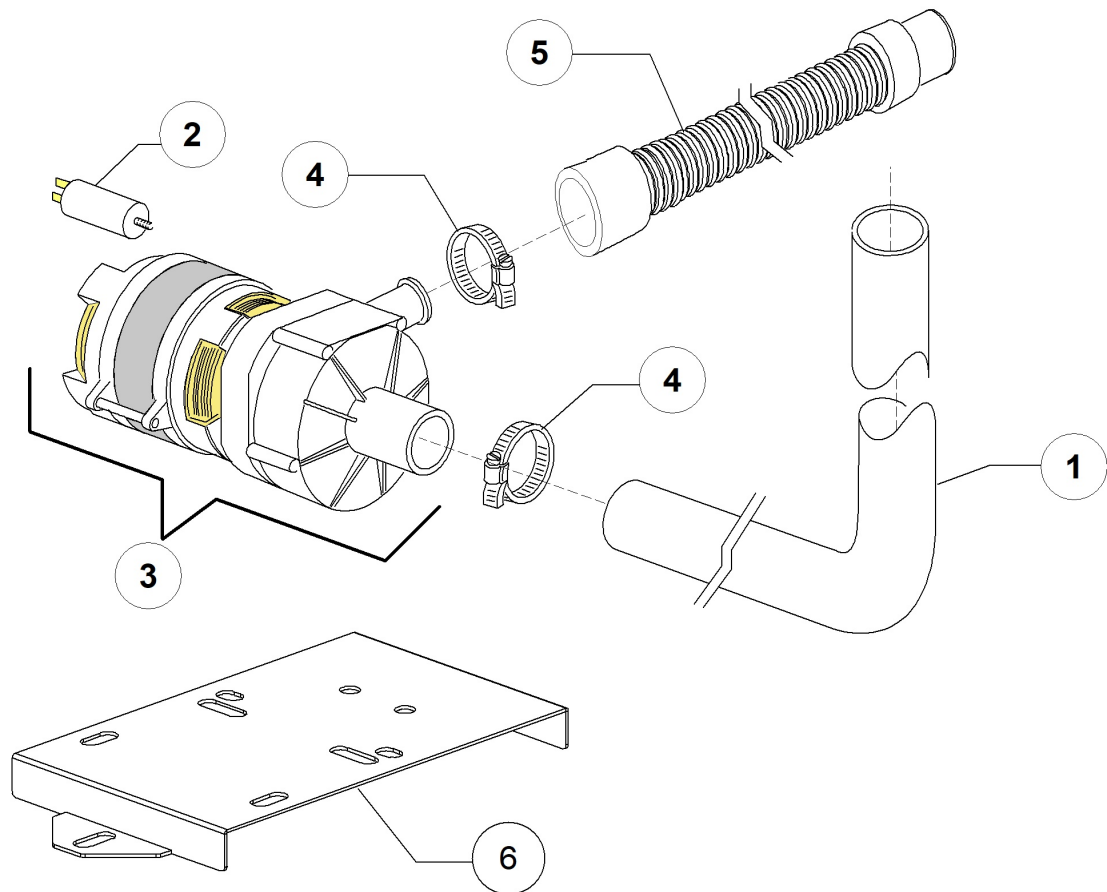




**LP4 S8 TR PLUS PS DDE 400V3N 50HZ - DWO1002742 - Dosing detergent group - DW120E**

Pos.	Code	Descrizione	Description
1	DW15985	DOS.ELETT.DET REGOLABILE 0-3LT/H	DETERGENT DOSING PUMP 0-3L/H
2	DW15058	FILTRINO CON PESO ASPIR. DET/BRIL	SMALL FILTER (MIN. 3 PCS)
3	DW15123	INIETTORE DETER. A GOMITO INOX	S/S DOSING PUMP INJECTOR
5	DW10763	MOLLA D.05 INOX PER TUB. D.6x4 PVC	PIPE S/S SPRING
6	DW14503	TUBO PVC DIAM.6x4 TRASPARENTE	D.6X4 PVC TRANSPARENT HOSE
7	DW15108/E	TUBO TERMOPLASTICO DDE GERMAC	GERMAC DISPENSER THERMOPLASTIC HOSE
7	DW15185	TUBO MEMBRANA DDE SEKO DET.	SEKO DISPENSER THERMOPLASTIC HOSE
7	DW15297	TUBO MEMBRANA DDE SEKO 04/2013	SEKO DISPENSER THERMOPLASTIC HOSE
7	DW15297/T	TUBO TERMOPLASTICO DDE TECNOPRO	TECNOPRO DISPENSER THERMOPLASTIC HOSE
7	DW15985/A	#TUBO TERMOPLASTICO DDE MICRODOS	MICRODOS THERMOPLASTIC PIPE

LP4 S8 TR PLUS PS DDE 400V3N 50HZ - DWO1002742 - Drain pump group - DW120E



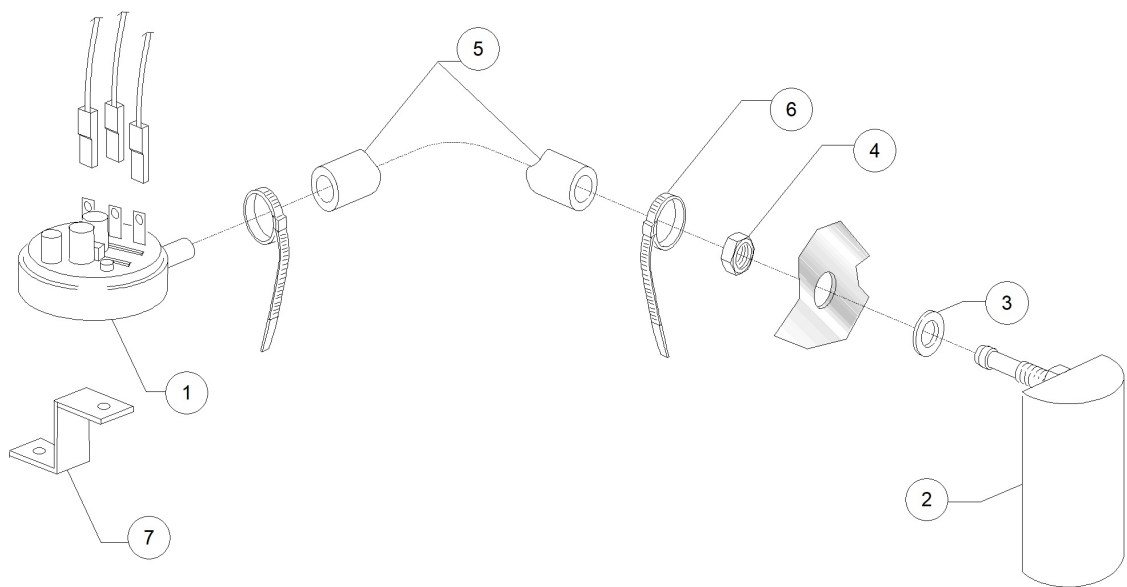
---

---

**LP4 S8 TR PLUS PS DDE 400V3N 50HZ - DWO1002742 - Drain pump group - DW120E**

Pos.	Code	Descrizione	Description
1	DW18044	TUBO DIAM.28 EPDM LAV.SUP. STAR	D.28 EPDM PIPE
2	DW10702	#CONDENSATORE 5uF 450V	5 UF CONDENSER
3	DW10501/A	POMPA 190W 230V 50Hz (2212)	PUMP 190W 230V/50HZ
4	DW11806	FASCETTE AISI 430 25/40	CLAMP 25/40 AISI 430
5	DW10727	CANNA SCARICO mt.1.5 D.24 PICCOLA	DRAIN HOSE 1,5MT D.24
6	DW23235	STAFFA SUPP. POMPA A.P.	BOOSTER PUMP SUPPORT

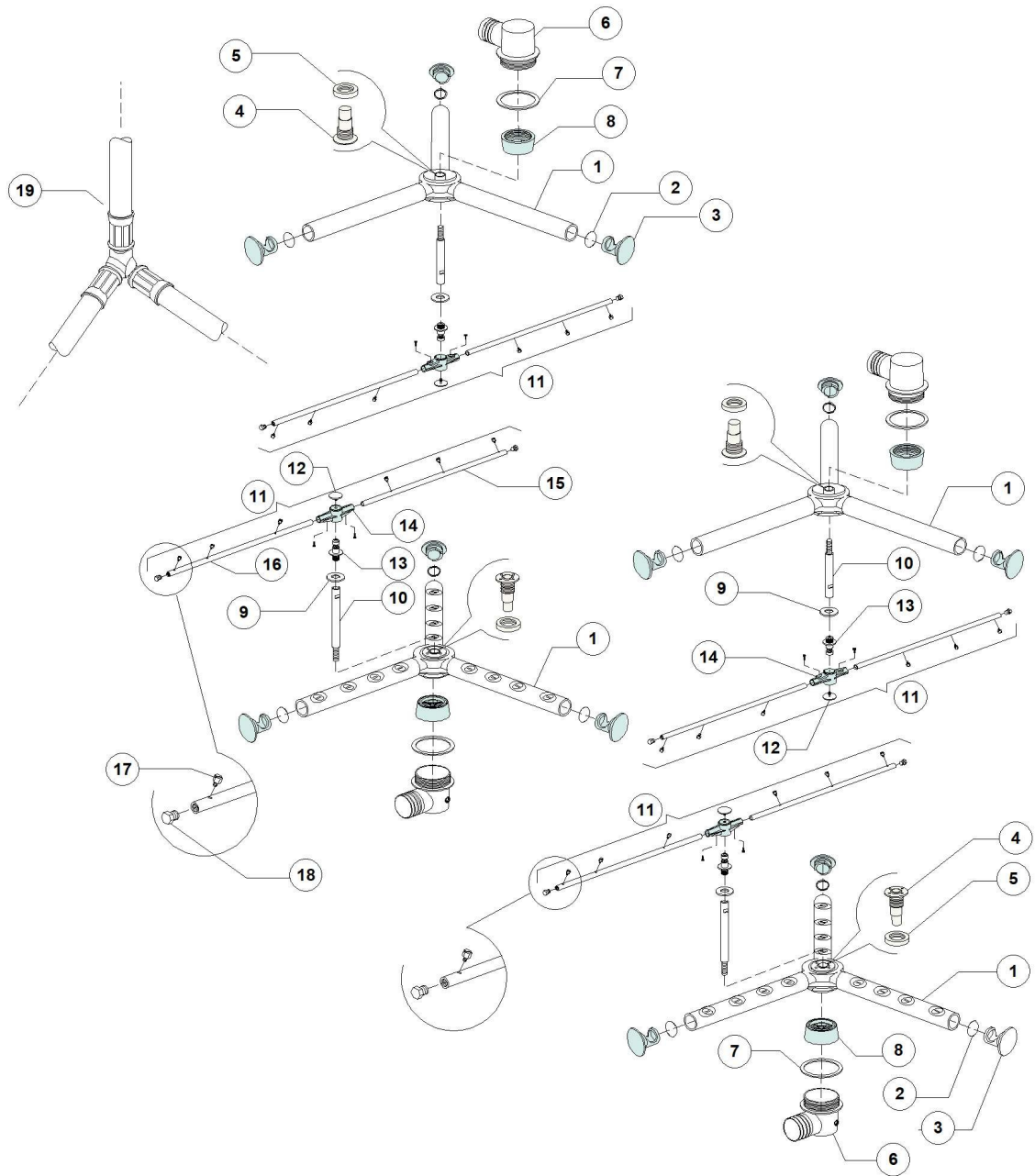
LP4 S8 TR PLUS PS DDE 400V3N 50HZ - DWO1002742 - Pressure switch group - DW120E



**LP4 S8 TR PLUS PS DDE 400V3N 50HZ - DWO1002742 - Pressure switch group - DW120E**

<b>Pos.</b>	<b>Code</b>	<b>Descrizione</b>	<b>Description</b>
1	DW88110	PRESSOSTATO 250-40	PRESSURE SWITCH 250-40
2	DW135911	ASSIEME GABBIA D'ARIA GRIGIA L90	GREY AIR TRAP ASSEMBLY L90
3	DW13301	GUARNIZ. IN FASTIT 202 D14x8x1,5	O-RING ROLMART D14X8X1,5
4	DW11702	DADO M8 INOX UNI5588 DIN934	S/S NUT M8 DIN934 (MIN. 20 PCS)
5	DW14508	TUBO EPDM 4.5X9 PER PRESSOSTATO	EPDM HOSE 4.5X9 FOR PRESSURE SWITCH
6	DW10738	FASCETTA PLASTICA 98X2.5	PLASTIC CLAMP 98X2,5
7	DW3009363	SUPPORTO PRESSOSTATO	PRESSURE-SWITCH SUPPORT

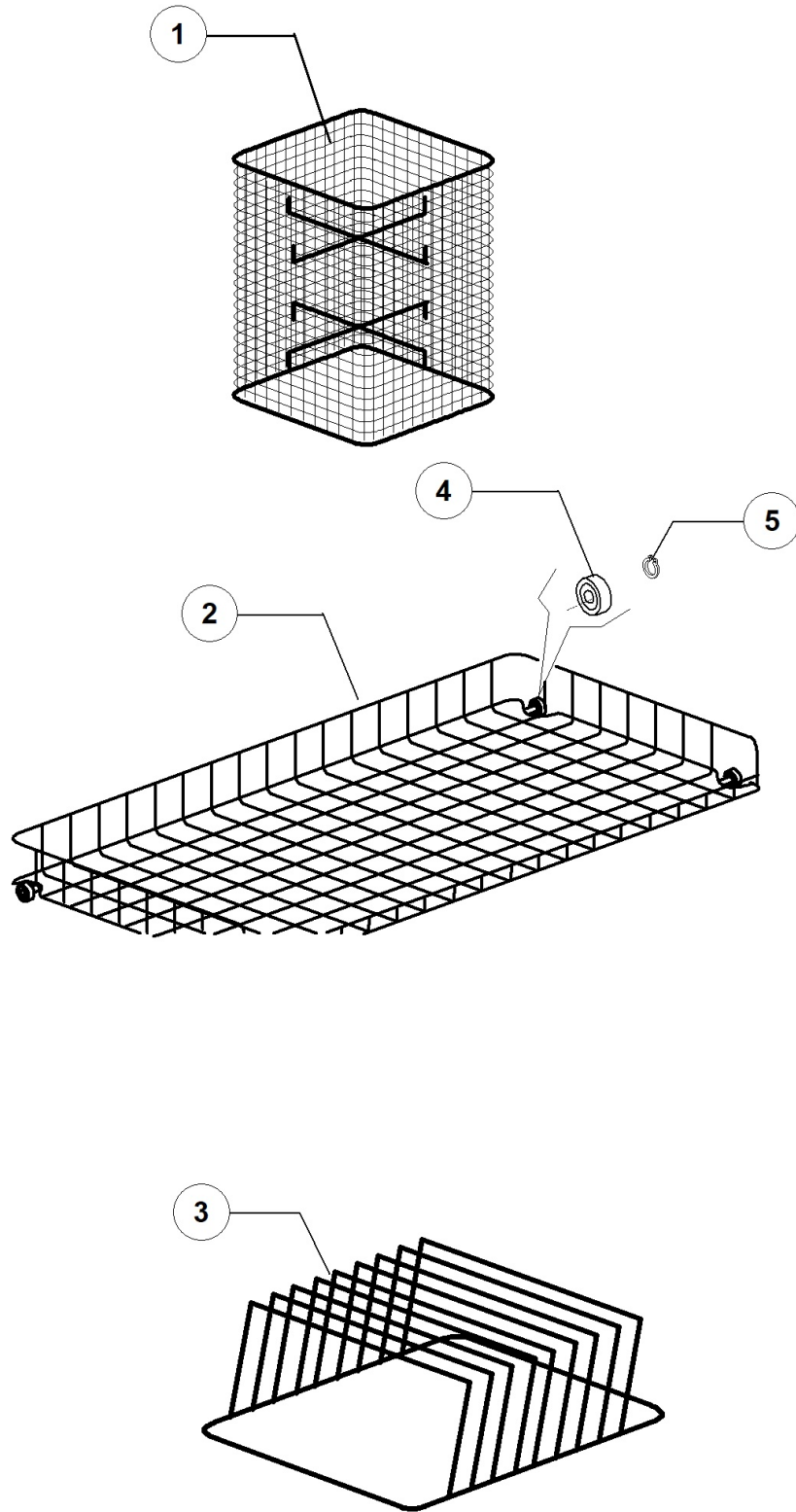
LP4 S8 TR PLUS PS DDE 400V3N 50HZ - DWO1002742 - Turret group with rotating arms - DW120E



**LP4 S8 TR PLUS PS DDE 400V3N 50HZ - DWO1002742 - Turret group with rotating arms - DW120E**

Pos.	Code	Descrizione	Description
1	DW91102	GIR.LAV.SUP/INF P2S-P3S-P4S8	UPPER/LOWER WASH ROTOR P2S-P3S-P4S8
2	DW13023	GUARNIZ. OR 131 (4093)	O-RING 131 (4093) GASKET
3	DW3003029	TAPPO X LANCIA LAVAGG.D32 28/03/97	PLASTIC PLUG FOR WASH ARM
4	DW75316	MOZZO PER GIRANTE 11S/96	HUB FOR ROTOR 11S/96
5	DW75317	DADO PER MOZZO GIR. 11S/96	NUT FOR ROTOR HUB 11S/96
6	DW90008	TORRET.INF/SUP.PER GIRELLO LP1 S-S8	WASH ARMS'LOWER / UPPER SUPPORT P1S/S8
7	DW80208	GUARNIZIONE RAMPA LP2 DIAM.95X75X3	RISER GASKET D.95X75X3 (MIN. 2 PCS)
8	DW90009	MOZZO FISSAGGIO TORRETTA LP1 S-S8	HUB FOR ROTOR
9	DW90031	RONDELLA X SCORRIM.GIR.R.LP 1 S-S8	SLIDING WASHER P1S/P1S8
10	DW90010	PROLUNGA ASSE RIS.INF/SUP LP1 S-S8	UPPER/LOWER RINSE AXLE EXTENSION P1S/S8
11	DW91103	GRUPPO RISC.SUP/INF P2S-P3S-P4S8	UPPER/LOWER RINSE ASSEMBLY P2S/P3S/P4S8
12	DW10652	VITE RISCIAQUO/03	RINSE ARM SCREW
13	DW10651	ASSE RISCIAQUO/03	RINSE AXLE 03
14	DW10650	MOZZO PER GIRANTE RISCIAQUO/03	HUB FOR RINSE ROTOR 03
15	DW91103/D	TUBO RISC.DX UGELLI INOX/03(91103)	
16	DW91103/S	TUBO RISC.SX UGELLI INOX/03(91103)	
17	DW560018	UGELLO INOX RISCIAQUO M5	S/S RINSE NOZZLE M5
18	DW560017	TAPPO PER TUBO RISCIAQUO M9x1	RINSE ARM PLUG
19	DW91110	ASS.TUBI RISC.D.12 P2S-P3S-P4S8	RINSE PIPE ASSEMBLY D.12

LP4 S8 TR PLUS PS DDE 400V3N 50HZ - DWO1002742 - Baskets - DW120E





**LP4 S8 TR PLUS PS DDE 400V3N 50HZ - DWO1002742 - Baskets - DW120E**

<b>Pos.</b>	<b>Code</b>	<b>Descrizione</b>	<b>Description</b>
1	DWC86/A	CESTELLO PORTA SPATOLE INOX	S/S SPATULA BASKET
2	DW93600	CESTO 1350X725X130 SU RUOTE P4S8	1350X725X130 S/S BASKET WITH WHEELS
3	DWC97/A	INSERTO INOX PER VASSOI 8P.	S/S TRAY SUPPORT 8 PCS
4	DW89919	RUOTA PER CESTO LP3/LP4	WHEEL FOR BASKET P3S/P4S8
5	DW11815	SEEGER DIAM.8 INOX UNI7435	SNAP RING D.8 S/S

