

cod.DW122E

data:02/03/2023

**Catalogo ricambi
Spare parts catalog
Catalogue de pièces détachées
Ersatzteilkatalog
Catálogo de repuestos
Catálogo de peças de reposição
Каталог запасных частей**

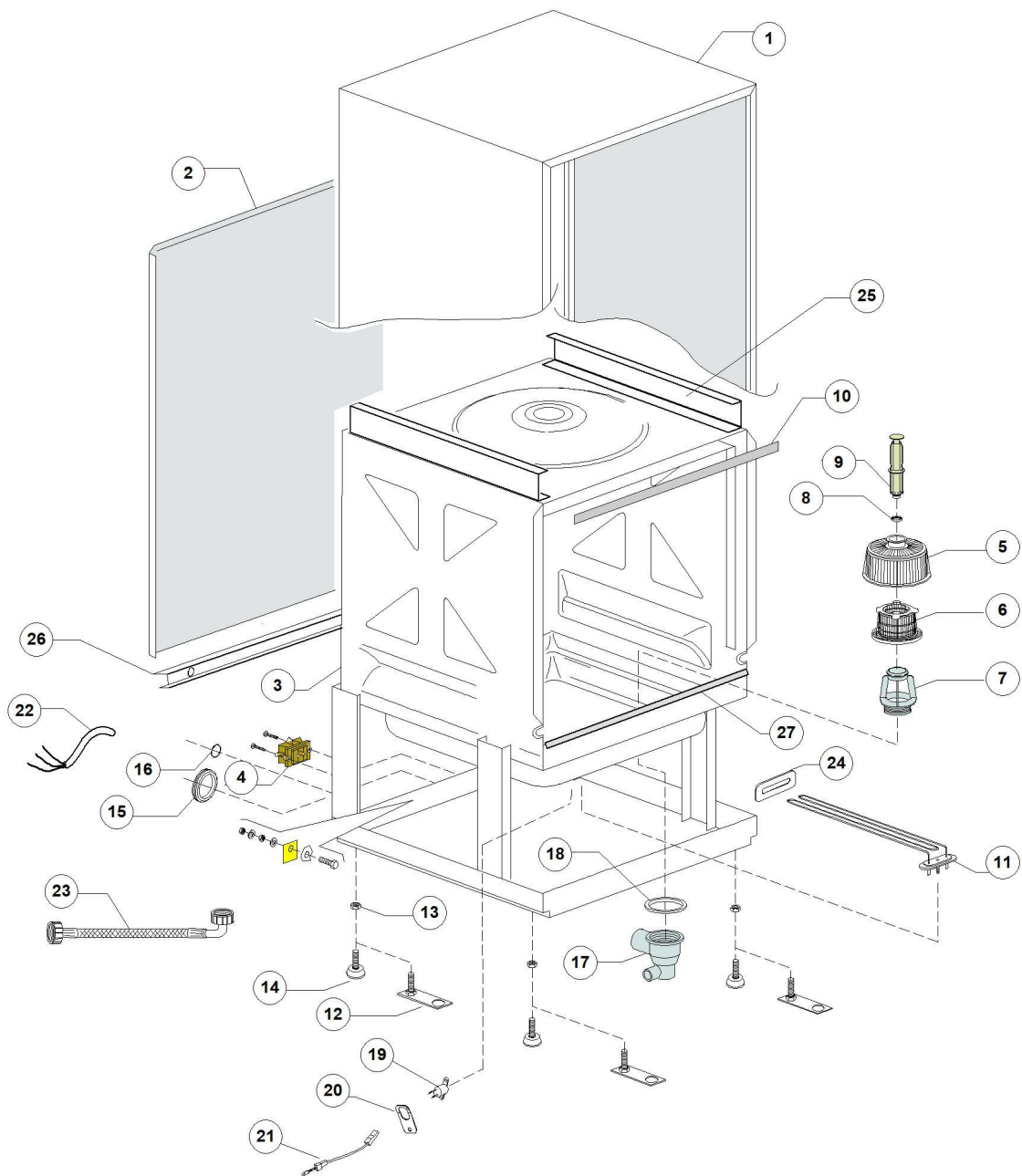
ELECTRON 600 PS DDE PAP 380-400/3N/50Hz



S/N:DW01017980



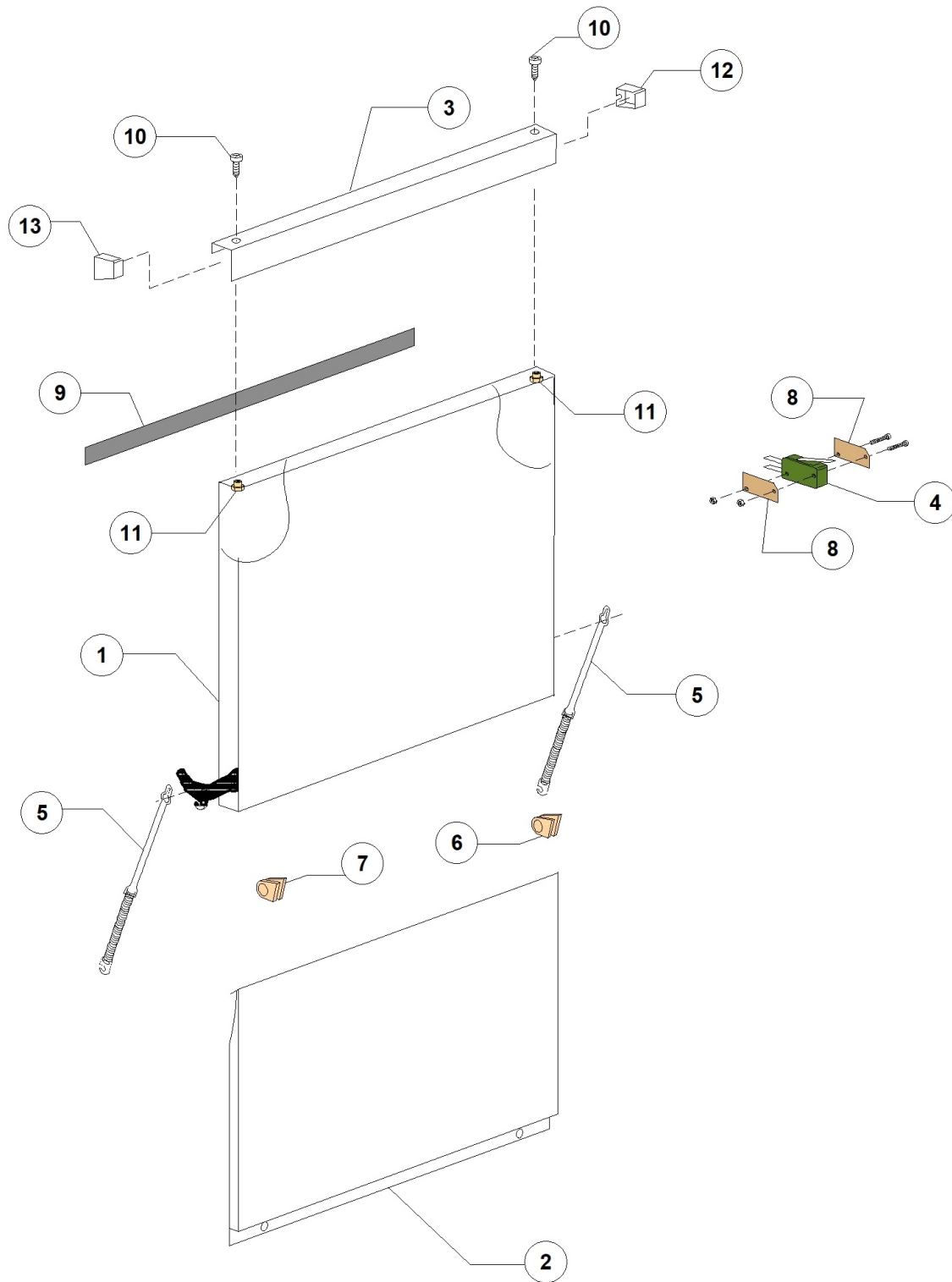
ELECTRON 600 PS DDE PAP 380-400/3N/50Hz - DWO1017980 - General body parts - DW122E



ELECTRON 600 PS DDE PAP 380-400/3N/50Hz - DWO1017980 - General body parts - DW122E

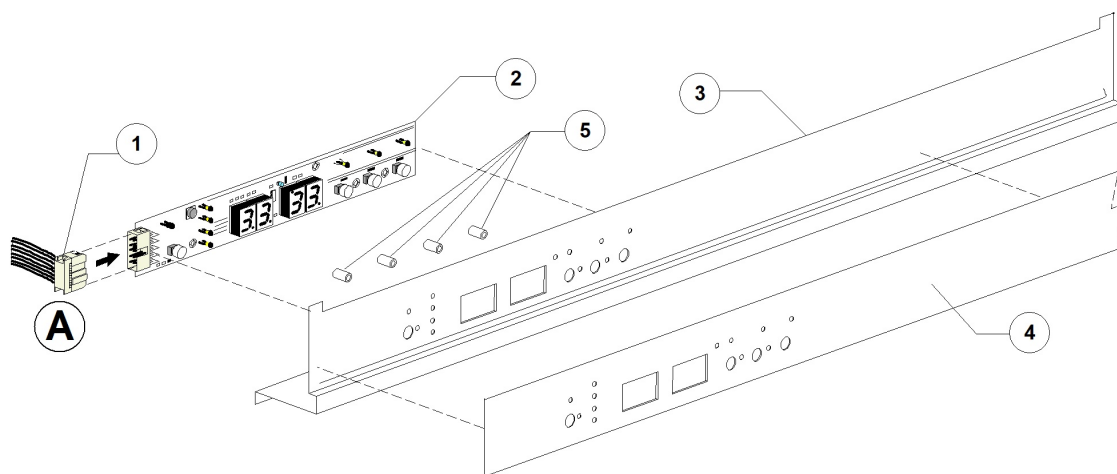
Pos.	Code	Descrizione	Description
1	DW570004	CAMICIA INOX 600/05	COVER 600/05
2	DW570006	SCHIENALE 600/05	BACK PANEL 600/05
3	DW570000	CARROZZERIA 600/05 NORMALE	BODYWORK 600/05
4	DW15065/A	FISSACAVO PER VITI AUTOF (NR.2x11007)	CABLE-FASTENER WITH SCREW
5	DW500616	FILTRO ASPIR. GS50 GRIGIO	SUCTION FILTER
6	DW500600	FILTRO INTERNO CON CESTELLO 2004	INNER FILTER
7	DW500607	GHIERA INNESTO FILTRI MOD.50 2004	FERRULE FOR FILTER CLUTCH
8	DW13021	GUARNIZIONE DEM 40 PER TROPPOPP. GS	OVERFLOW PIPE GASKET DEM 40 (MIN. 2 PCS)
9	DW500618	ASSIEME TROPPO PIENO H187 CON TAPP	OVERFLOW PIPE H187
10	DW560021	PROFILO GUARNIZIONE PORTA T.6 E T.4	PROFILE FOR DOOR SEAL
11	DW150047	RESIST.2700/2940W 230/240V 1	2700/2940W 230/240V 1 HEATING ELEM.
13	DW11711	DADO M10 ZINCATO DIN934	ZINC PLATED NUT M10 (MIN. 20PCS)
14	DW10786	PIEDINO M10X35 DIAM.30 NERO	M10X35 D.30 BLACK FOOT
15	DW13317	PASSACAVO D.40 IN GOMMA RB38	RUBBER FAIRLEAD D.40 RB38 (MIN. 2 PCS)
16	DW13323	PASSACAVO IN GOMMA D.13	RUBBER FAIRLEAD D.13 (MIN. 2 PCS)
17	DW500606	POZZETTO CON SCARICO LATERALE DX	RIGHT SIDE SCRAP TRAY
18	DW80208	GUARNIZIONE RAMPA LP2 DIAM.95X75X3	RISER GASKET D.95X75X3 (MIN. 2 PCS)
19	DW15552/B	TERMOST. SICUR.VASCA KLIXON SENZA STAFFA	KLIXON TANK SAFETY THERMOSTAT
20	DW15552/A	STAFFETTA PER TERMOSTATO VASCA KLIXON	THERMOSTAT SUPPORT
21	DW609518	SPEZ. CABL. TERMICO RESIST. VASCA SOTTOB	TANK HEATING ELEMENT WIRING FOR THERMIC
22	DW15104/B	CAVO ALIMENTAZIONE 3X4X2500 NEOPRE	CABLE 3X4X2500 NEOPRE
22	DW15118	CAVO ALIMENTAZIONE 5x2,5x2500	CABLE 5x2,5x2500
22	DW15145	CAVO ALIM. 4X4X2500	CABLE 4X4X2500
23	DW10900001	CANNA CARICO GROSSA M 1,5 EN61770	LOAD PIPE M 1,5 EN61770
24	DW250043	PIASTRINA RESISTENZA VASCA	TANK HEATING ELEMENT PLAQUE
25	DW550947	SUPPORTO CAMICIA PANN.SUP.GS100-G600	ASSEMBLY SHELL SUPPORT
27	DW560013	GUARNIZIONE SOTTOPI.T.6 PROFILO B.13	PROFILE FOR LOWER DOOR SEAL

ELECTRON 600 PS DDE PAP 380-400/3N/50Hz - DWO1017980 - Door - DW122E



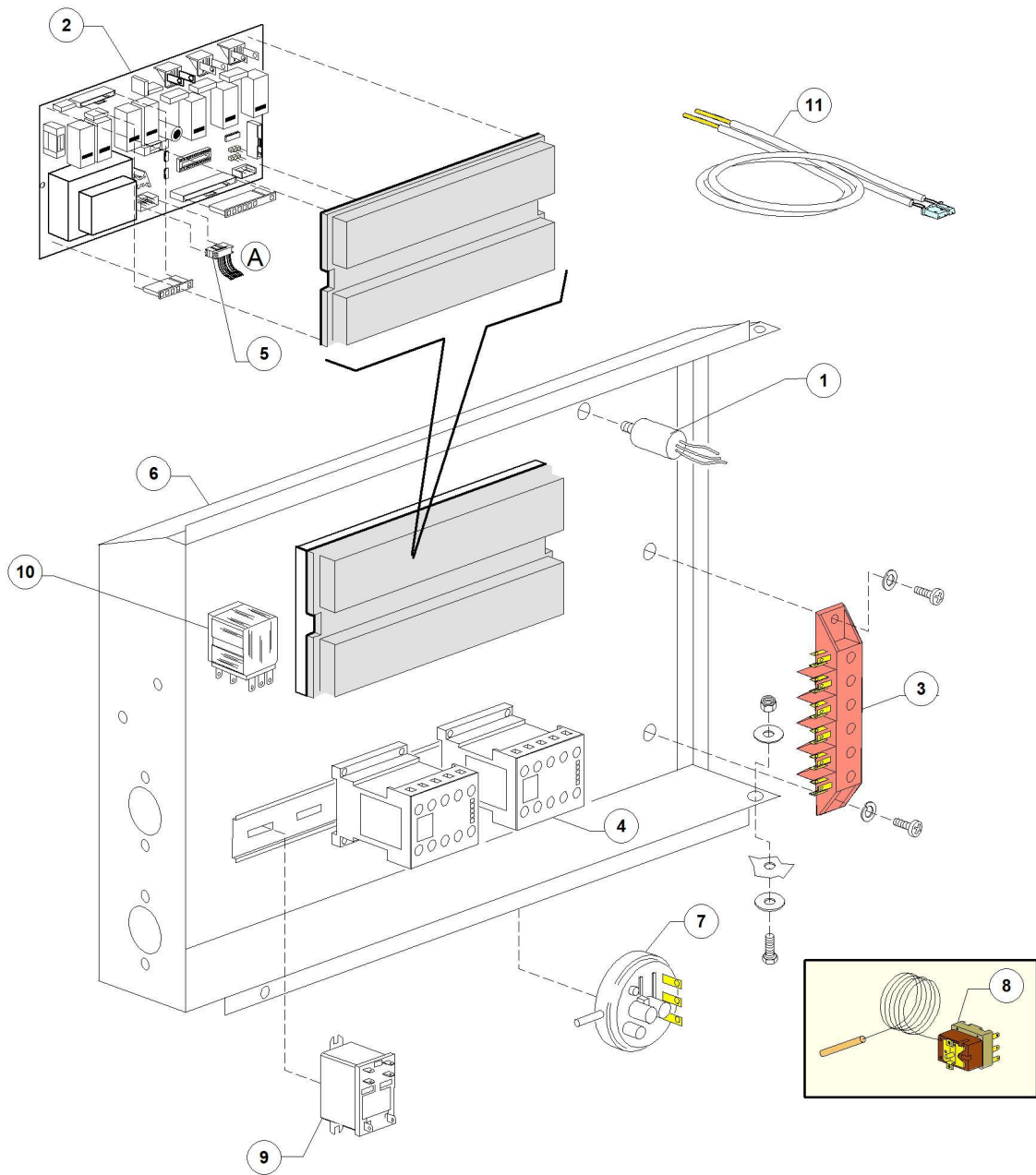
ELECTRON 600 PS DDE PAP 380-400/3N/50Hz - DWO1017980 - Door - DW122E

Pos.	Code	Descrizione	Description
1	DW570002	PORTA (SENZA MANIGLIA) 600/05	DOOR 600/05
2	DW570005	SOTTOPORTA 600/05	FRONT PANEL 600/05
3	DW560959	MANIGLIA INOX T.6 VERS.2001 UG	S/S HANDLE T6.0/2001
4	DW10704	MICRO 16A SICUREZZA PORTA	DOOR MICROSWITCH
5	DW570200	MOLLA SPORTELLO 600/05	DOOR SPRING
6	DW560006	GOMMINO DX PER CERNIERA PORTA TEK.6	DOOR HINGE RIGHT RUBBER LOCK (MIN. 2PCS)
7	DW560007	GOMMINO SX PER CERNIERA PORTA TEK.6	DOOR HINGE LEFT RUBBER LOCK (MIN. 2PCS)
8	DW10770	ISOLANTE PER MICROSWITCH	DOOR MICROSWITCH INSULATION (MIN. 3PCS)
9	DW560021	PROFILO GUARNIZIONE PORTA T.6 E T.4	PROFILE FOR DOOR SEAL
10	DW11220	VITE INOX M4X12 BOSSARD BN5952	M4X12 S/S SCREW BN5952
11	DW11226	"DADO HS A1 M4-10 INOX "INTENSE""	S/S NUT M4



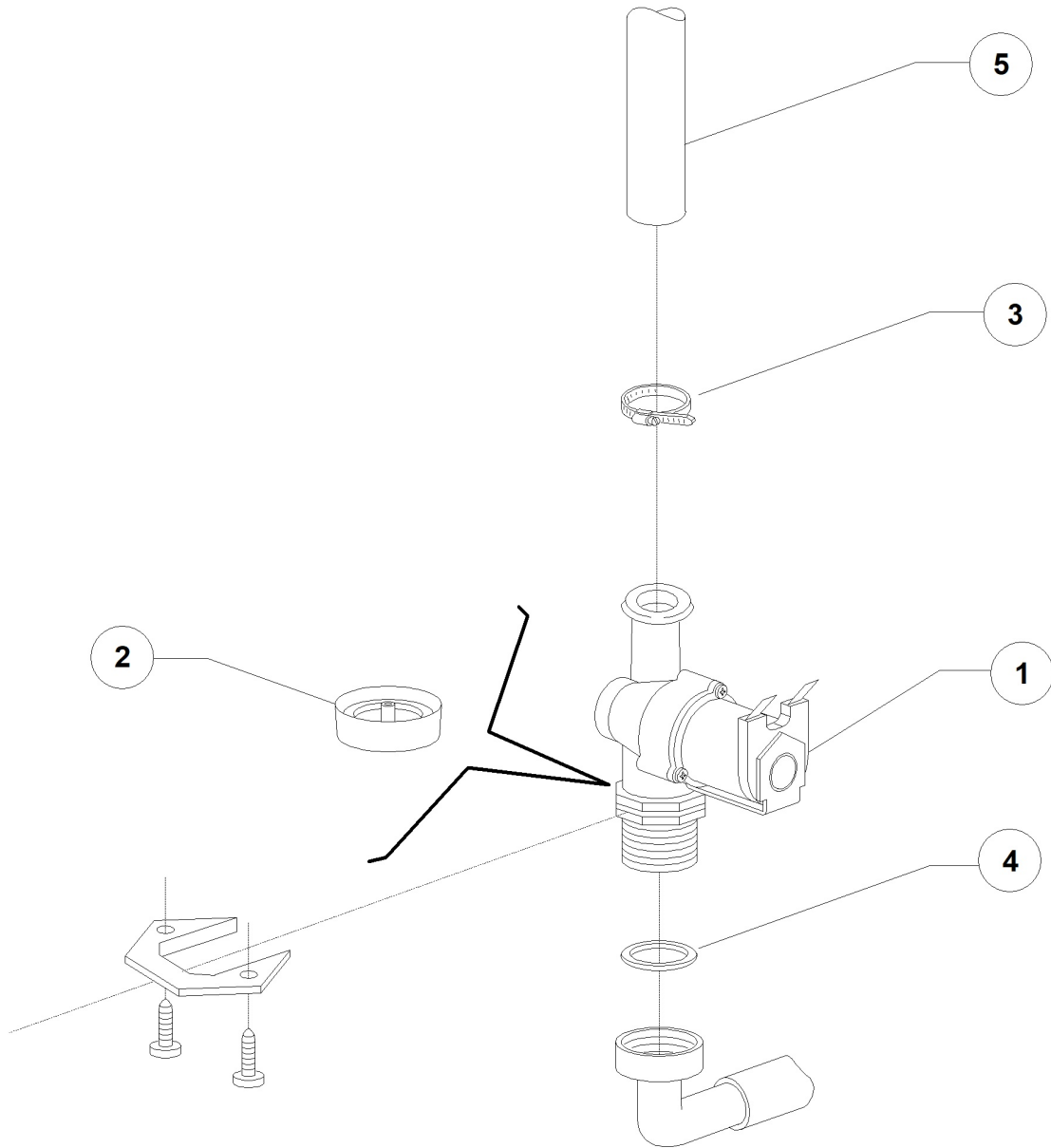
ELECTRON 600 PS DDE PAP 380-400/3N/50Hz - DWO1017980 - Control panel and switches - DW122E

Pos.	Code	Descrizione	Description
1	DW50652	"PIATTINA MULTIFILO "F16p" L3000"	RIBBON CABLE F16p L3000
2	DW50602	"PULSANTIERA A MEMBRANA "ELITE 2010""	PUSH BUTTON PANEL ELITE 2010
3	DW560964	"PANN.COMANDI TK6-G600 "ELITE""	CONTROL PANEL ELITE
4	DW560039	"#MOST.TAS.MEM.UGOL. T6 "ELITE" FULL"	CONTROL OVERLAY DIHR
5	DW50561	DIST. SCHEDE ELETTR. 2009 D.8X10	MAINBOARD SPACER D.8X10



ELECTRON 600 PS DDE PAP 380-400/3N/50Hz - DWO1017980 - Electric control components - DW122E

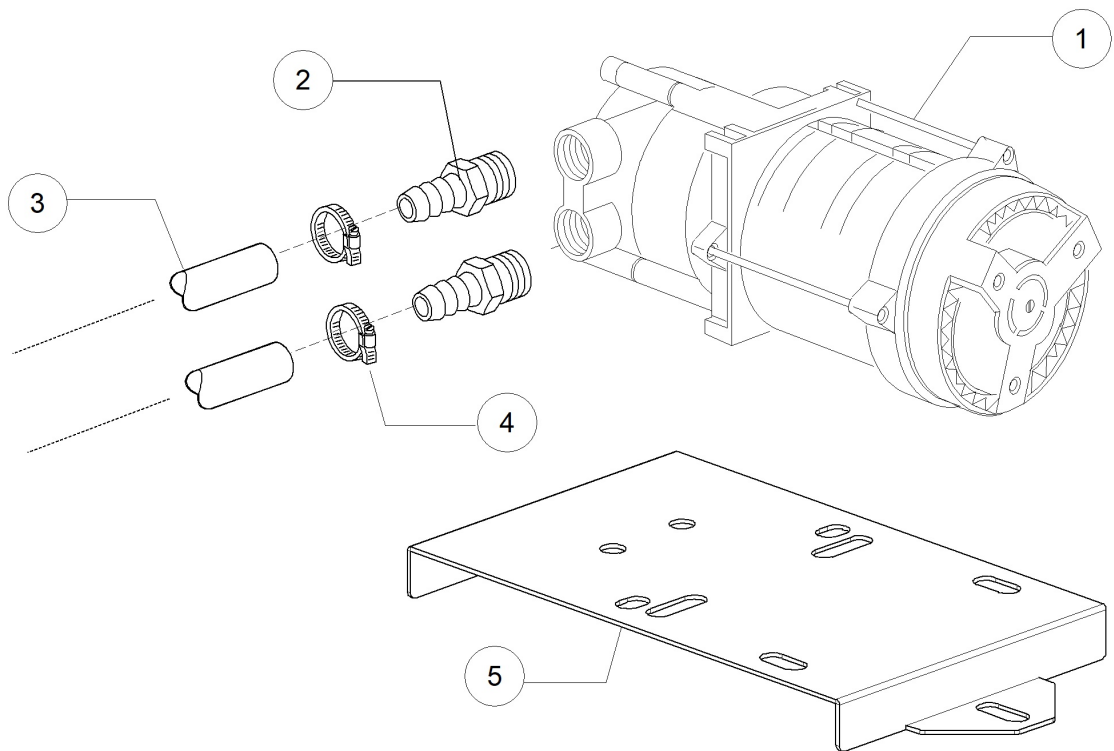
Pos.	Code	Descrizione	Description
1	DW15149	FILTRO ANTIDIS.F3 (CX0.47MF)	LOW NOISE FILTER F3 (CX0.47MF)
2	DW50655	"SCHEDA MADRE "ELITE 2018 STD" (BL)"	ELITE MAINBOARD 2018 STD (BL)
3	DW500551	MORSETTIERA 6 POLI KL116/6	TERMINAL BOARD 6 POLES FV122 RED
4	DW15086	TELERUTTORE 230V 50/60Hz 4C AC3(6A)	CONTACTOR 230V 50/60Hz 4C AC3(6A)
5	DW50652	"PIATTINA MULTIFILO "F16p" L3000"	RIBBON CABLE F16p L3000
6	DW570003	PORTACOMPONENTI 600/05	
7	DW10706/A	"PRESSOSTATO "EL." 46-26"	PRESSURE SWITCH 46-26
9	DW560304	#RELE'FINDER 230V 50Hz 30A	RELAY 230V 50Hz 30A
10	DW16047	RELE TRIP.16A 230VAC 50/60Hz	TRIPOLAR RELAY 16A 230VAC 50/60Hz
11	DW50562	SONDA TERMOSTATO SCHEDA DIHRECO2	THERMOSTAT PROBE DIHRECO2



ELECTRON 600 PS DDE PAP 380-400/3N/50Hz - DWO1017980 - Solenoid valve group - DW122E

Pos.	Code	Descrizione	Description
1	DW10703	ELETTROV. SING. H20 230V DIS.LS036	SINGLE SOLENOID VALVE H20 230V
3	DW11807	FASCETTE AISI 430 12/22	CLAMP 12/22 AISI 430
4	DW13307	GUARNIZ. 3/4 CARICO H20 DIS.LS061	GUARNIZ. 3/4 CARICO H20 DIS.LS061
5	DW14506	TUBO GOMMA DIAM 9,5X16 EPDM	9,5X16 EPDM RUBBER HOSE
5	DW2907351	TUBO GOMMA EPDM 11,5X19	11,5X19 EPDM RUBBER HOSE

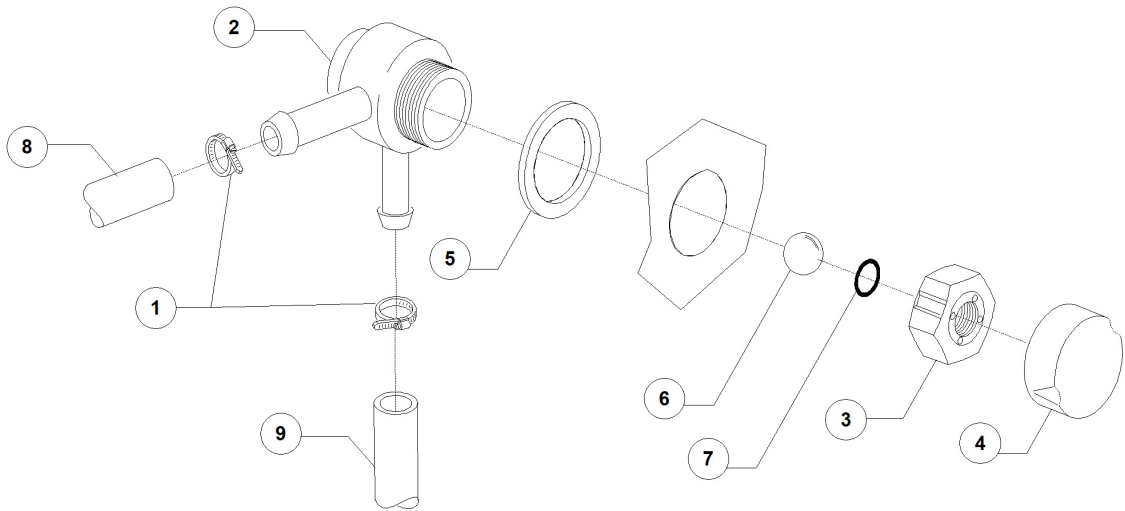
ELECTRON 600 PS DDE PAP 380-400/3N/50Hz - DWO1017980 - Booster pump - DW122E



ELECTRON 600 PS DDE PAP 380-400/3N/50Hz - DWO1017980 - Booster pump - DW122E

Pos.	Code	Descrizione	Description
1	DW15100/D	POMPA AUM.PRESS 220-240/50 PICCOLA	BOOSTER PUMP 220-240V/50HZ
2	DW10221311	PORTAGOMMA TUBO 12 FIL. G3/8 OT-NI	NICHEL-PLAT.BRASS HOSE CONNECTOR 12 G3/8
3	DW14506	TUBO GOMMA DIAM 9,5X16 EPDM	9,5X16 EPDM RUBBER HOSE
4	DW11807	FASCETTE AISI 430 12/22	CLAMP 12/22 AISI 430
5	DW23235	STAFFA SUPP. POMPA A.P.	BOOSTER PUMP SUPPORT

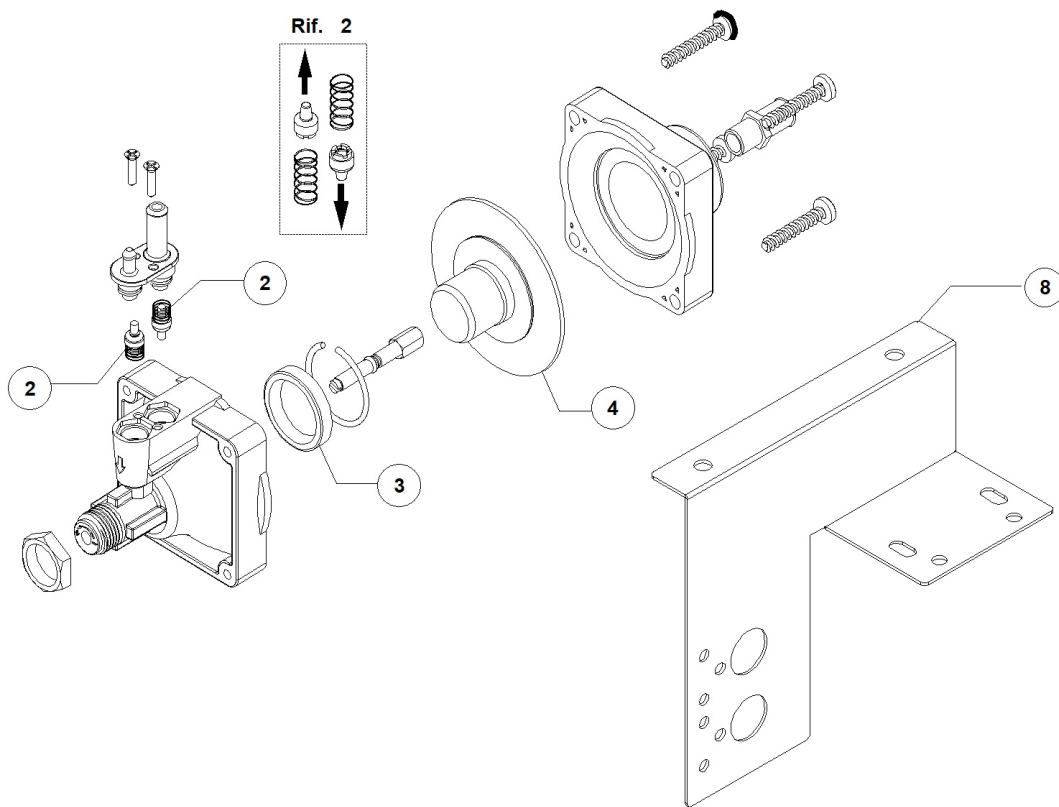
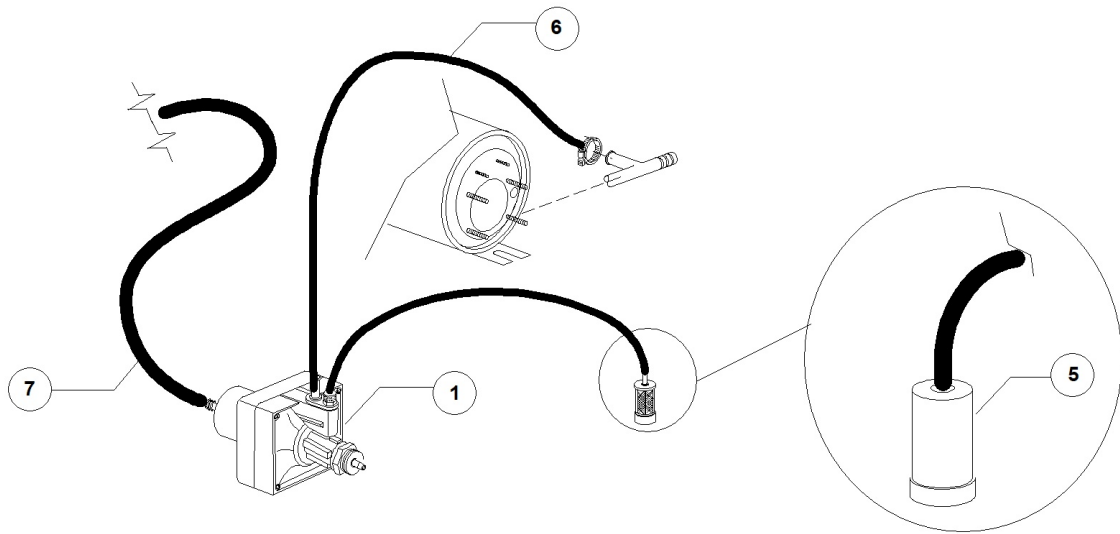
ELECTRON 600 PS DDE PAP 380-400/3N/50Hz - DWO1017980 - DVGW valve - DW122E



ELECTRON 600 PS DDE PAP 380-400/3N/50Hz - DWO1017980 - DVGW valve - DW122E

Pos.	Code	Descrizione	Description
1	DW11807	FASCETTE AISI 430 12/22	CLAMP 12/22 AISI 430
2	DW15280	CORPO CENTRALE VALVOLA DVGW 07	DRAIN VALVE CENTER BODY
3	DW15281	DADO VALVOLA DVGW 07	VALVE NUT
4	DW15282	COPRI DADO VALVOLA DVGW 07	VALVE NUT COVER
5	DW15283	GUARNIZIONE VALVOLA DVGW 07	VALVE GASKET
6	DW15284	"SFERA 5/8" VALVOLA DVGW 07"	"5/8" BALL FOR DVGW VALVE 07"
7	DW15285	GUARNIZIONE OR 115 KTW VALVOLA DVGW 07	O-RING 115 KTW
8	DW14506	TUBO GOMMA DIAM 9,5X16 EPDM	9,5X16 EPDM RUBBER HOSE
8	DW2907351	TUBO GOMMA EPDM 11,5X19	11,5X19 EPDM RUBBER HOSE
9	DW14506	TUBO GOMMA DIAM 9,5X16 EPDM	9,5X16 EPDM RUBBER HOSE
9	DW2907351	TUBO GOMMA EPDM 11,5X19	11,5X19 EPDM RUBBER HOSE

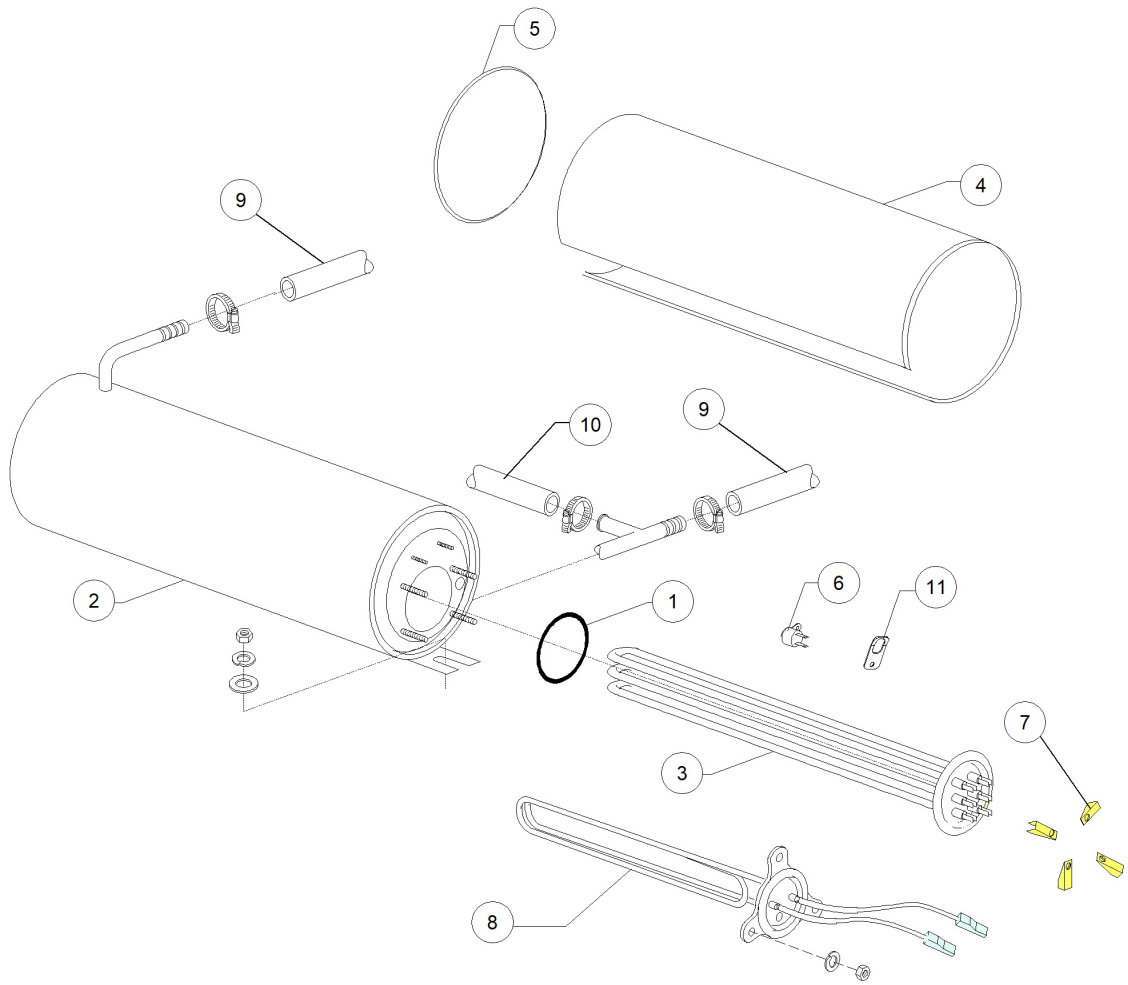
ELECTRON 600 PS DDE PAP 380-400/3N/50Hz - DWO1017980 - Rinse aid dispenser group - DW122E



ELECTRON 600 PS DDE PAP 380-400/3N/50Hz - DWO1017980 - Rinse aid dispenser group - DW122E

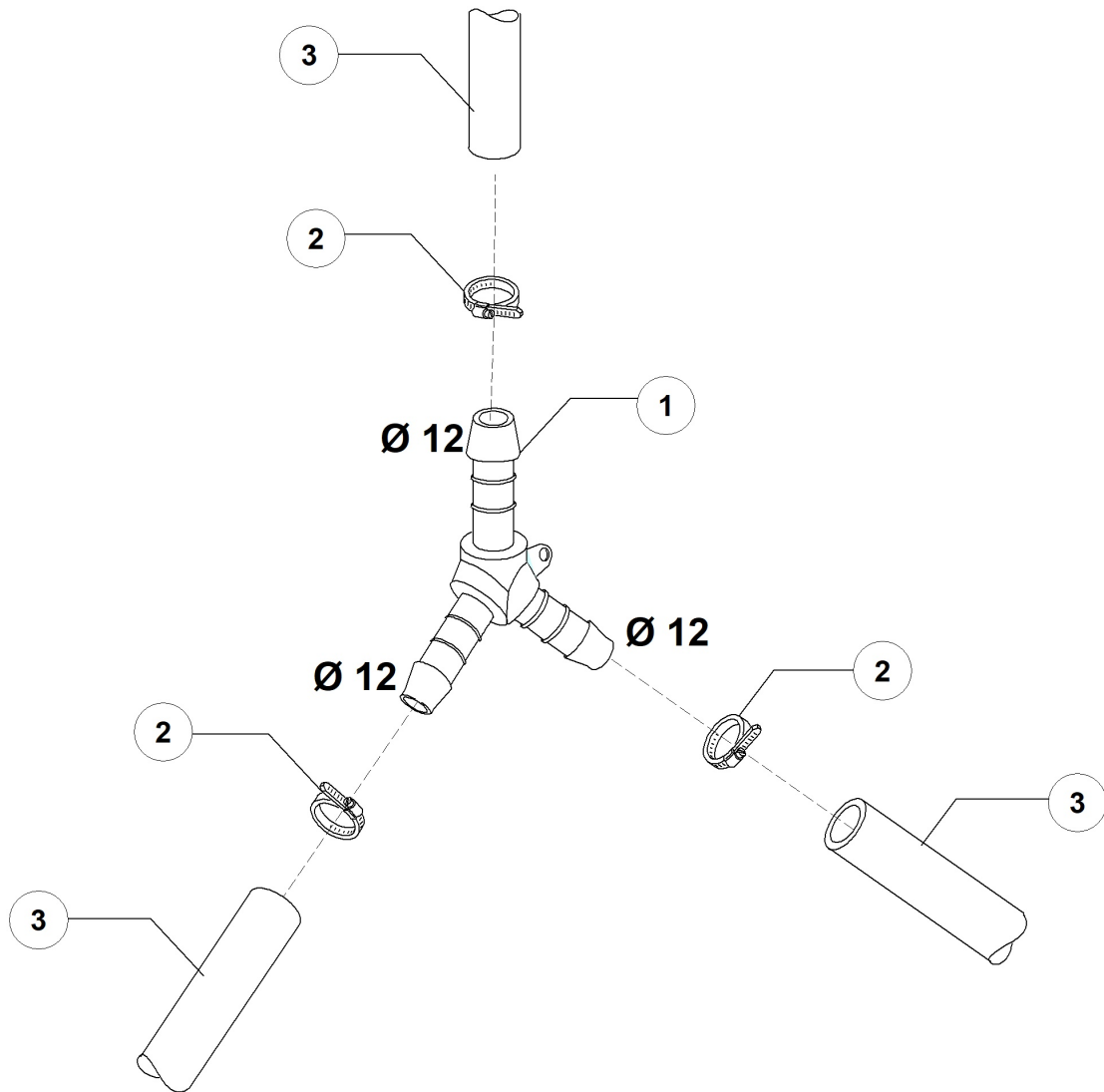
Pos.	Code	Descrizione	Description
1	DW10799	DOSATORE BRILLANTANTE (TECNO PRO)	RINSE AID DOSING PUMP
2	DW10805	VALVOLE+MOLLE(2)DOS.BRILL.TECNOPRO	TECNOPRO NON RETURN VALVE
3	DW10806	GUARNIZIONE D22 DOS.BRILL.TECNOPRO	GASKET D.22
4	DW10807	MEMBRANA X DOSATORE BRILL.TECNOPRO	MEMBRANE FOR DOSING PUMP
5	DW15058	FILTRINO CON PESO ASPIR. DET/BRIL	SMALL FILTER (MIN. 3 PCS)
6	DW10200293	TUBO EPDM 8X15 PER DOSATORE	8X15 EPDM PIPE
7	DW14506	TUBO GOMMA DIAM 9,5X16 EPDM	9,5X16 EPDM RUBBER HOSE
8	DW561054	SUPPORTO DOSATORI ELC (N)	DOSING UNIT SUPPORT

ELECTRON 600 PS DDE PAP 380-400/3N/50Hz - DWO1017980 - Boiler group - DW122E



ELECTRON 600 PS DDE PAP 380-400/3N/50Hz - DWO1017980 - Boiler group - DW122E

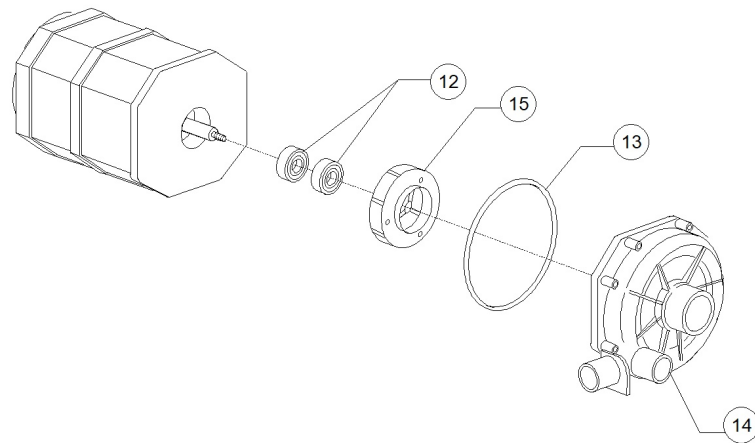
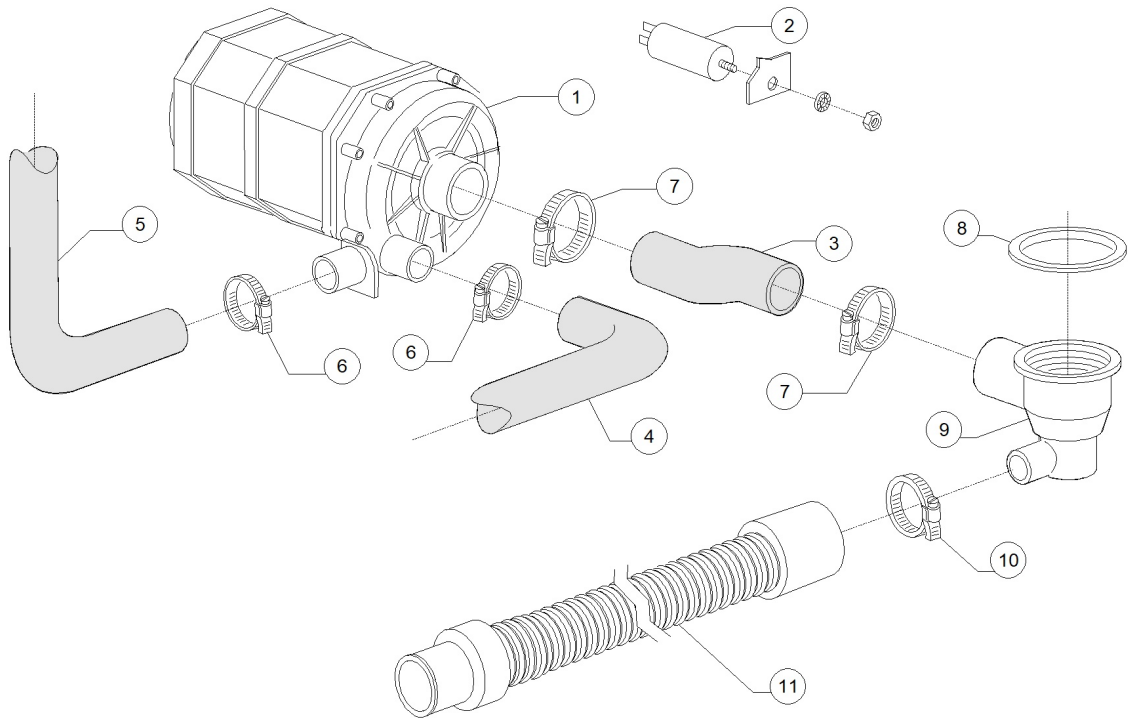
Pos.	Code	Descrizione	Description
1	DW13005	GUARNIZIONE OR 151 NBR	O-RING 151 NBR (MIN. 5 PCS)
2	DW150905	"BOILER "SERIE 50" (AISI 304)"	BOILER 50 (AISI 304)
3	DW15089/E	RESIST.6000/6530W 230/240V 3 L378	6000/6530W 230/240V 3 L378 HEATING ELEM
4	DW15066	COIBENTE PER BOILER G500	BOILER INSULATING G500
5	DW15205	DISCO IN ESPANSOLENE AUTOESTIN. D.138X3	INSULATING DISK D.138
6	DW15550	#THERMOSTATO SICUR. CONTATTO KLIXON	KLIXON SAFETY THERMOSTAT
7	DW16045	STAFFE FISSAGGIO RESIST.FORO 6.3	HEATING ELEMENT MOUNTING BRACKET D.6,3
9	DW2907351	TUBO GOMMA EPDM 11,5X19	11,5X19 EPDM RUBBER HOSE
10	DW10200293	TUBO EPDM 8X15 PER DOSATORE	8X15 EPDM PIPE
11	DW15552/A	STAFFETTA PER THERMOSTATO VASCA KLIXON	THERMOSTAT SUPPORT



ELECTRON 600 PS DDE PAP 380-400/3N/50Hz - DWO1017980 - 3 ways connection - DW122E

Pos.	Code	Descrizione	Description
1	DW540091	DERIV. 3VIE Y D12 PLASTICA	PLASTIC Y-PIECE D.12
2	DW11807	FASCETTE AISI 430 12/22	CLAMP 12/22 AISI 430
3	DW2907351	TUBO GOMMA EPDM 11,5X19	11,5X19 EPDM RUBBER HOSE

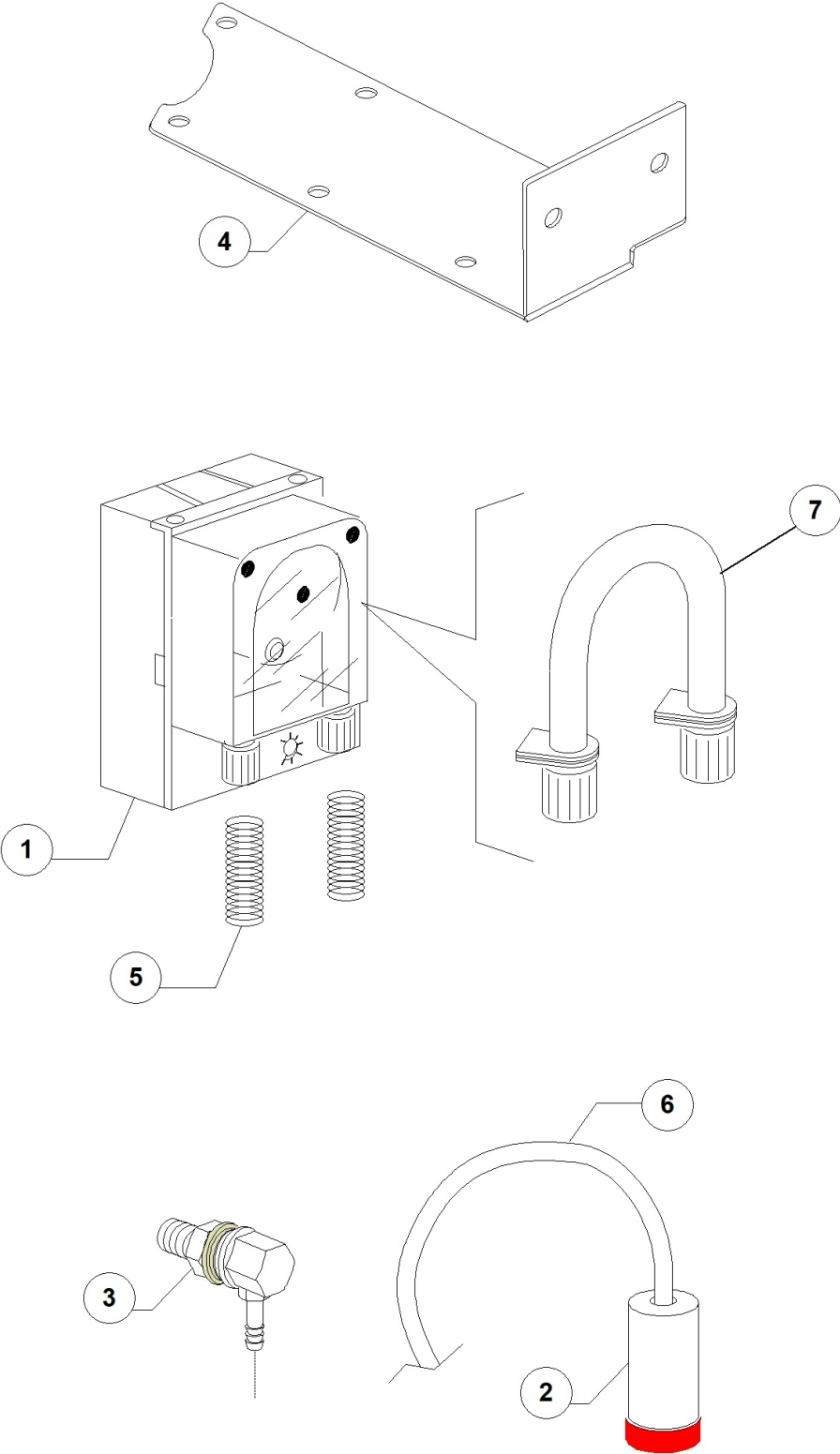
ELECTRON 600 PS DDE PAP 380-400/3N/50Hz - DWO1017980 - Wash pump group - DW122E



ELECTRON 600 PS DDE PAP 380-400/3N/50Hz - DWO1017980 - Wash pump group - DW122E

Pos.	Code	Descrizione	Description
1	DW150914	POMPA HP0.7 TIPO 50 230V.50Hz CON F	PUMP HP0.7 230V/50HZ
2	DW15081	#CONDENSATORE 12.5 uF.	12,5 UF CONDENSER
3	DW25032/A	MANICOTTO ASPIRAZ.GS50 DIAM.60/50	SUCTION PIPE COUPLING
4	DW560014	TUBO MANDATA POMPA TORR.INF.LAV T.6	PUMP/LOWER WASH TURRET DELIVERY PIPE
5	DW150048/A	TUBO MANDATA SUP. GS50	TOP DELIVERY PIPE GS50
6	DW11806	FASCETTE AISI 430 25/40	CLAMP 25/40 AISI 430
7	DW11824	FASCETTA AISI 430 50-70	CLAMP 50/70 AISI 430
8	DW80208	GUARNIZIONE RAMPA LP2 DIAM.95X75X3	RISER GASKET D.95X75X3 (MIN. 2 PCS)
9	DW500606	POZZETTO CON SCARICO LATERALE DX	RIGHT SIDE SCRAP TRAY
10	DW11807	FASCETTE AISI 430 12/22	CLAMP 12/22 AISI 430
12	DW15080	PREMISTOPA+CONTROFACCIA	ROTATING SEALS
13	DW7130	#GUARNIZIONE OR POMPA	OR PUMP O-RING (MINIMUM 2 PIECES)
14	DW16182	#CHIOCCIOLA POMPA HP0.5 D.50X30	SCROLL
15	DW15079/F	#GIRANTE POMPA HP0.70 D.91C. GS50	PUMP ROTOR 0,70HP D.91

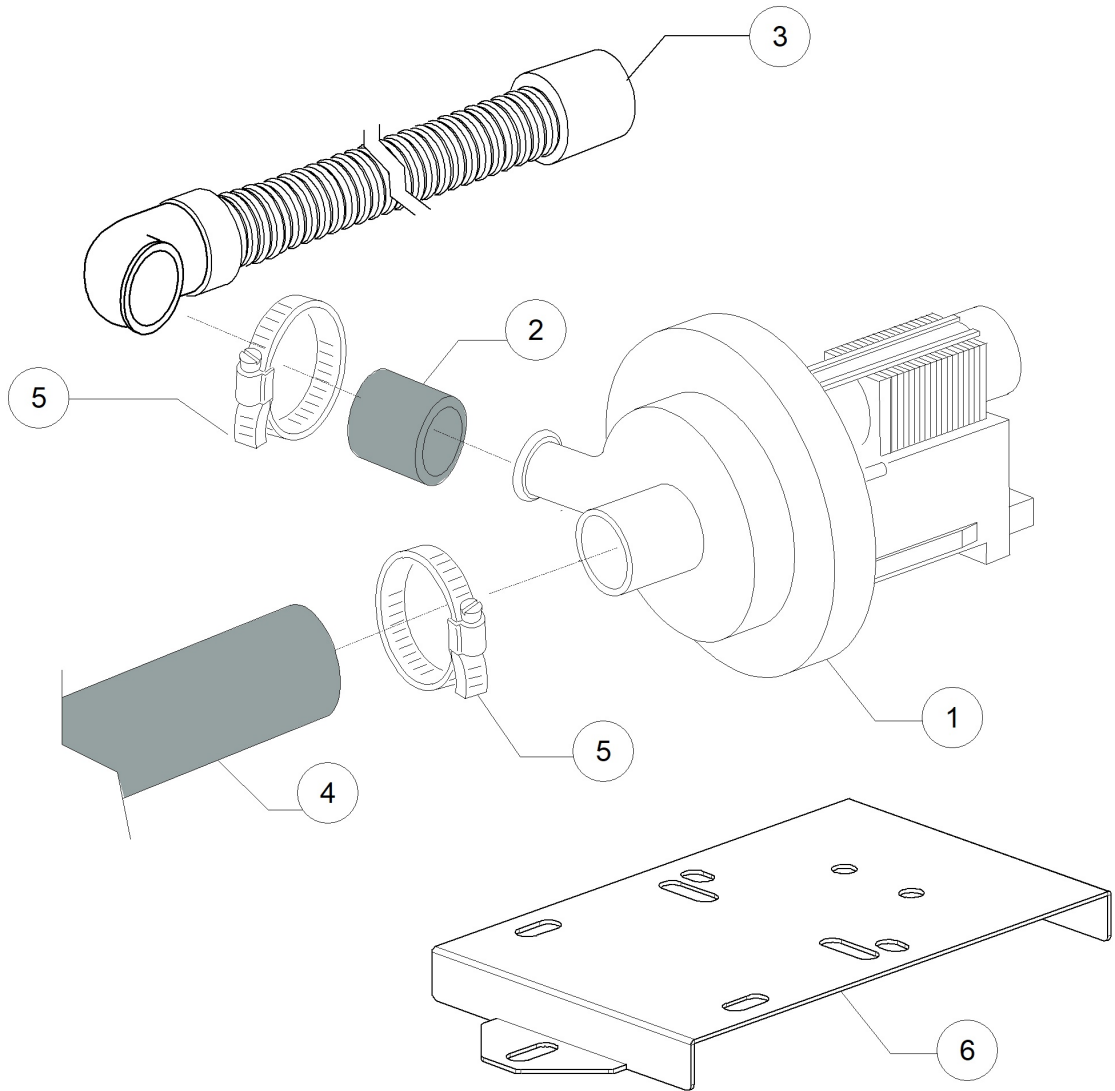
ELECTRON 600 PS DDE PAP 380-400/3N/50Hz - DWO1017980 - Dosing detergent group - DW122E



ELECTRON 600 PS DDE PAP 380-400/3N/50Hz - DWO1017980 - Dosing detergent group - DW122E

Pos.	Code	Descrizione	Description
1	DW15985	DOS.ELETT.DET REGOLABILE 0-3LT/H	DETERGENT DOSING PUMP 0-3L/H
2	DW15058	FILTRINO CON PESO ASPIR. DET/BRIL	SMALL FILTER (MIN. 3 PCS)
3	DW15123	INIETTORE DETER. A GOMITO INOX	S/S DOSING PUMP INJECTOR
5	DW10763	MOLLA D.05 INOX PER TUB. D.6x4 PVC	PIPE S/S SPRING
6	DW14503	TUBO PVC DIAM.6x4 TRASPARENTE	D.6X4 PVC TRANSPARENT HOSE
7	DW15108/E	TUBO TERMOPLASTICO DDE GERMAC	GERMAC DISPENSER THERMOPLASTIC HOSE
7	DW15185	TUBO MEMBRANA DDE SEKO DET.	SEKO DISPENSER THERMOPLASTIC HOSE
7	DW15297	TUBO MEMBRANA DDE SEKO 04/2013	SEKO DISPENSER THERMOPLASTIC HOSE
7	DW15297/T	TUBO TERMOPLASTICO DDE TECNOPRO	TECNOPRO DISPENSER THERMOPLASTIC HOSE
7	DW15985/A	#TUBO TERMOPLASTICO DDE MICRODOS	MICRODOS THERMOPLASTIC PIPE

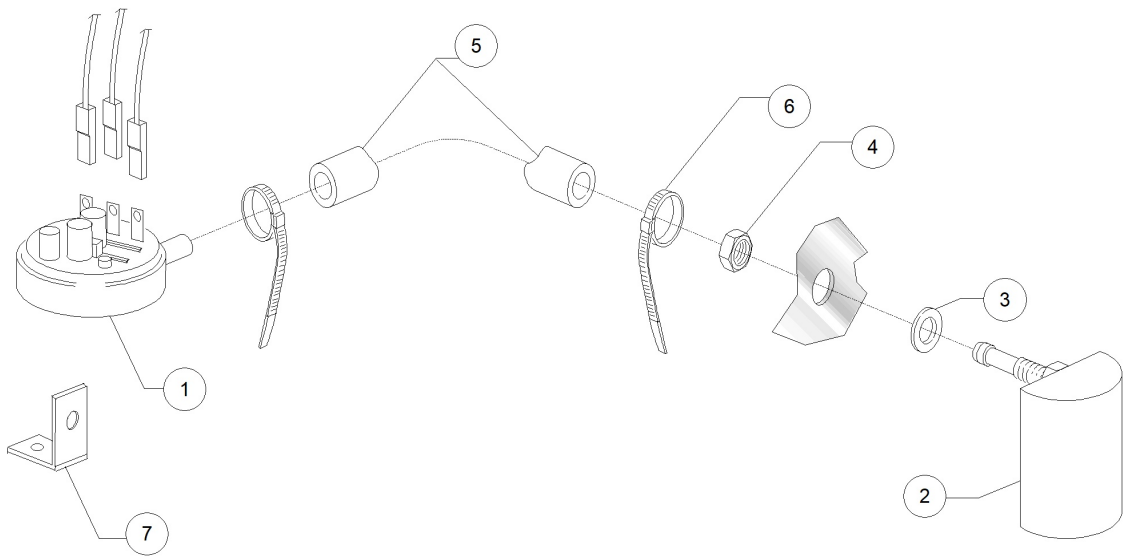
ELECTRON 600 PS DDE PAP 380-400/3N/50Hz - DWO1017980 - Drain pump group - DW122E



ELECTRON 600 PS DDE PAP 380-400/3N/50Hz - DWO1017980 - Drain pump group - DW122E

Pos.	Code	Descrizione	Description
1	DW15101	POMPA SCARICO SINCR. 220/240V 50Hz	DRAIN PUMP 220-240V/50HZ
2	DW15101/D	MAN.COMP.USCITA PS 28x22 L21	PIPE COUPLING 28X22 L21
3	DW25031	CANNA SCARICO 1,5 MT 24-28 PIPA	DRAIN HOSE 1,5MT 24-28
4	DW18044	TUBO DIAM.28 EPDM LAV.SUP. STAR	D.28 EPDM PIPE
5	DW11806	FASCETTE AISI 430 25/40	CLAMP 25/40 AISI 430
6	DW23235	STAFFA SUPP. POMPA A.P.	BOOSTER PUMP SUPPORT

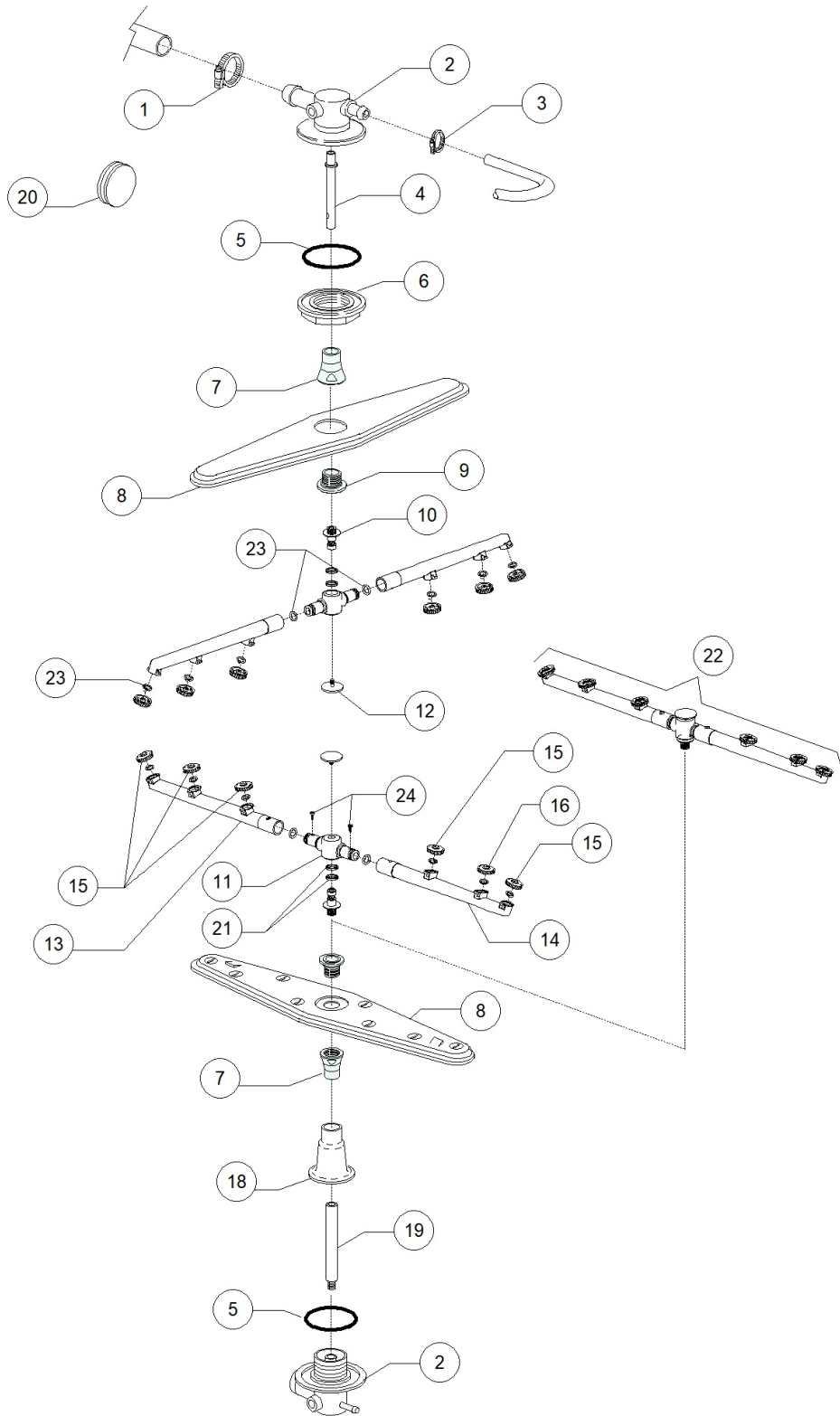
ELECTRON 600 PS DDE PAP 380-400/3N/50Hz - DWO1017980 - Pressure switch group - DW122E



ELECTRON 600 PS DDE PAP 380-400/3N/50Hz - DWO1017980 - Pressure switch group - DW122E

Pos.	Code	Descrizione	Description
1	DW10706/A	"PRESSOSTATO "EL." 46-26"	PRESSURE SWITCH 46-26
2	DW135911/D	ASSIEME GABBIA D'ARIA GRIGIA L56	GREY AIR TRAP ASSEMBLY L56
3	DW13301	GUARNIZ. IN FASTIT 202 D14x8x1,5	O-RING ROLMART D14X8X1,5
4	DW11702	DADO M8 INOX UNI5588 DIN934	S/S NUT M8 DIN934 (MIN. 20 PCS)
5	DW14508	TUBO EPDM 4.5X9 PER PRESSOSTATO	EPDM HOSE 4.5X9 FOR PRESSURE SWITCH
6	DW10738	FASCETTA PLASTICA 98X2.5	PLASTIC CLAMP 98X2,5

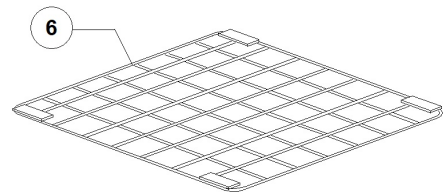
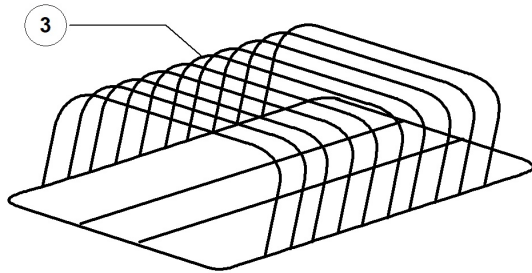
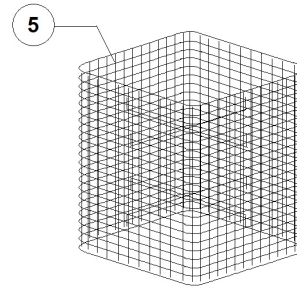
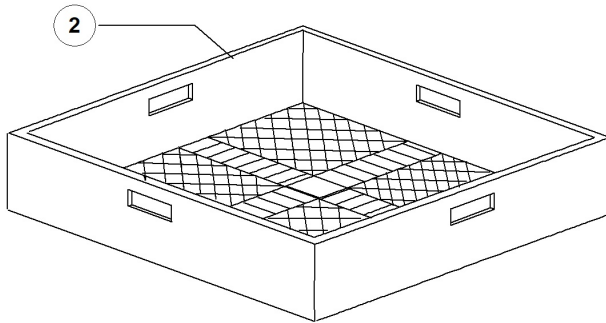
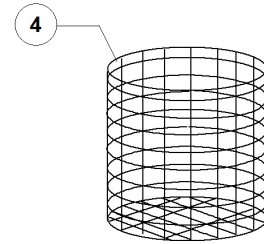
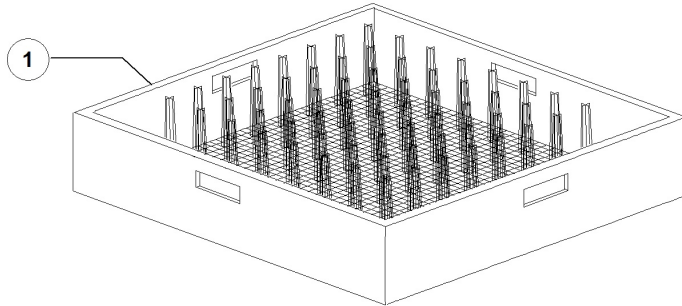
ELECTRON 600 PS DDE PAP 380-400/3N/50Hz - DWO1017980 - Turret group with rotating arms - DW122E



ELECTRON 600 PS DDE PAP 380-400/3N/50Hz - DWO1017980 - Turret group with rotating arms - DW122E

Pos.	Code	Descrizione	Description
1	DW11806	FASCETTE AISI 430 25/40	CLAMP 25/40 AISI 430
2	DW500612	TORRETTA SUP./INF. GS GRIGIO	WASH ARMS'LOWER / UPPER SUPPORT GS
3	DW11807	FASCETTE AISI 430 12/22	CLAMP 12/22 AISI 430
4	DW500703	ASSE RISC.SUP.D16X40 GIR.INOX 05	RINSE UPPER AXE D.16X40 S/S ROTOR 05
5	DW13015	GUARNIZIONE 6225 OR 160 NBR	6225 O-RING 160 NBR
6	DW500623	GHIERA FISS.TORRETTA TIPO 28 GS GRI	FASTENING RING NUT FOR TURRET
7	DW500702	MOZZO GIRANTE PLASTICA 05	HUB FOR PLASTIC ROTOR 05
8	DW500700	GIRANTE LAVAGGIO INOX 05	S/S WASH ROTOR
9	DW500701	GHIERA GIRANTE PLASTICA 05	PLASTIC RING NUT FOR S/S ROTOR
10	DW10651	ASSE RISCIAQUO/03	RINSE AXLE 03
11	DW75920/A	MOZZO PER GIRANTE RISCIAQUO 2009	HUB FOR RINSE ROTOR 2009
12	DW10652	VITE RISCIAQUO/03	RINSE ARM SCREW
13	DW75920/D	TUBO RISC. DX GRIGIO 2009	GREY RIGHT RINSE ARM 2009
14	DW75920/S	TUBO RISC. SX GRIGIO 2009	GREY LEFT RINSE ARM 2009
15	DW10371	TESTA UGEL. RISC. 95 APER. GRIG.(MIN 10)	OPENED RINSE NOZZLE (BATCH 10PCS)
16	DW10372	TESTA UGEL.RISC.95 CHIU. GRIGIO (MIN 10)	CLOSED RINSE NOZZLE (BATCH 10PCS)
18	DW560024	MANICOTTO INF.MOD.T.6 L94mm GRIG	LOWER PIPE COUPLING L94
19	DW570201	ASSE RISC.INF.D16X120 600/05	LOWER RINSE AXLE D16X120 600/05
20	DW13316/A	GUARNIZIONE CIECA PER FORO DVGW	DVGW HOLE PLUG
21	DW75920/B	ANELLI TENUTA MOZZO RISCIAQUO 2009	BAGUE D'ESPACEMENT
22	DW75920	GRUPPO RISC.SUP/INF 2009	UPPER/LOWER RINSE ASSEMBLY 2009
23	DW13002	GUARNIZIONE OR R6 NBR	O-RINGR R6 NBR (MIN. 10 PCS)
24	DW11004	VITE TCB D.8 DENTATA 4X10 SPAX	4X10 TCB D.8 SPAX TOOTHED SCREW

ELECTRON 600 PS DDE PAP 380-400/3N/50Hz - DWO1017980 - Baskets - DW122E



ELECTRON 600 PS DDE PAP 380-400/3N/50Hz - DWO1017980 - Baskets - DW122E

Pos.	Code	Descrizione	Description
1	DWC40	CESTO PIATTI PLASTICA 50X50	PLASTIC PLATES BASKET 500X500
2	DWC44	CESTO BICCHIERI MAGL.LARGA PLASTICA	500X500 LARGE MESH GLASS BASKET
4	DW15060	INSERTO CUCCHIAINI GRANDI DIS.G.060	CUTLERY BASKET

