

cod.DW124P

data:02/03/2023

**Catalogo ricambi
Spare parts catalog
Catalogue de pièces détachées
Ersatzteilkatalog
Catálogo de repuestos
Catálogo de peças de reposição
Каталог запасных частей**

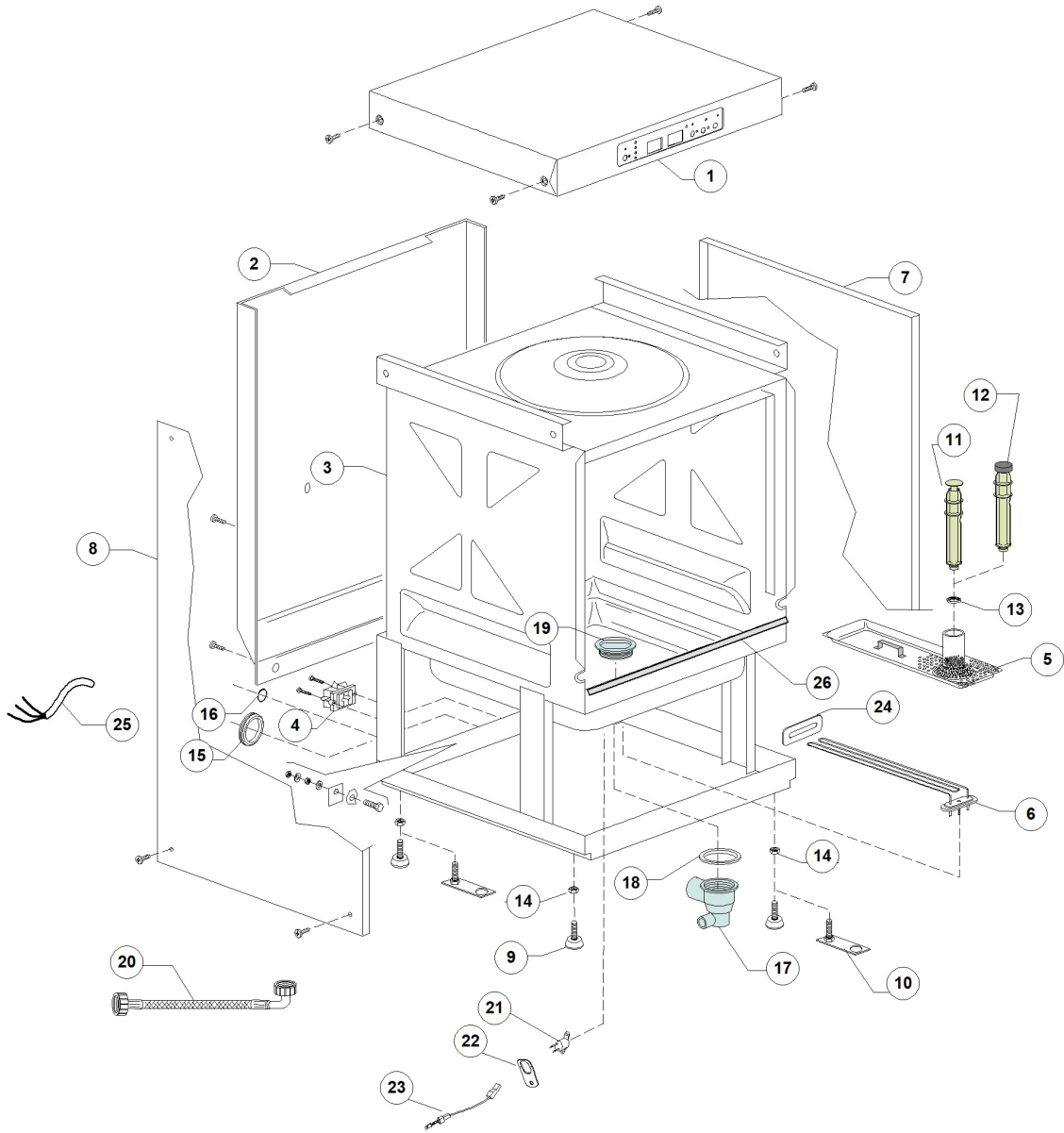
ELECTRON 500 PLUS PS DDE 380-400/3N/50



S/N:DWL1023899



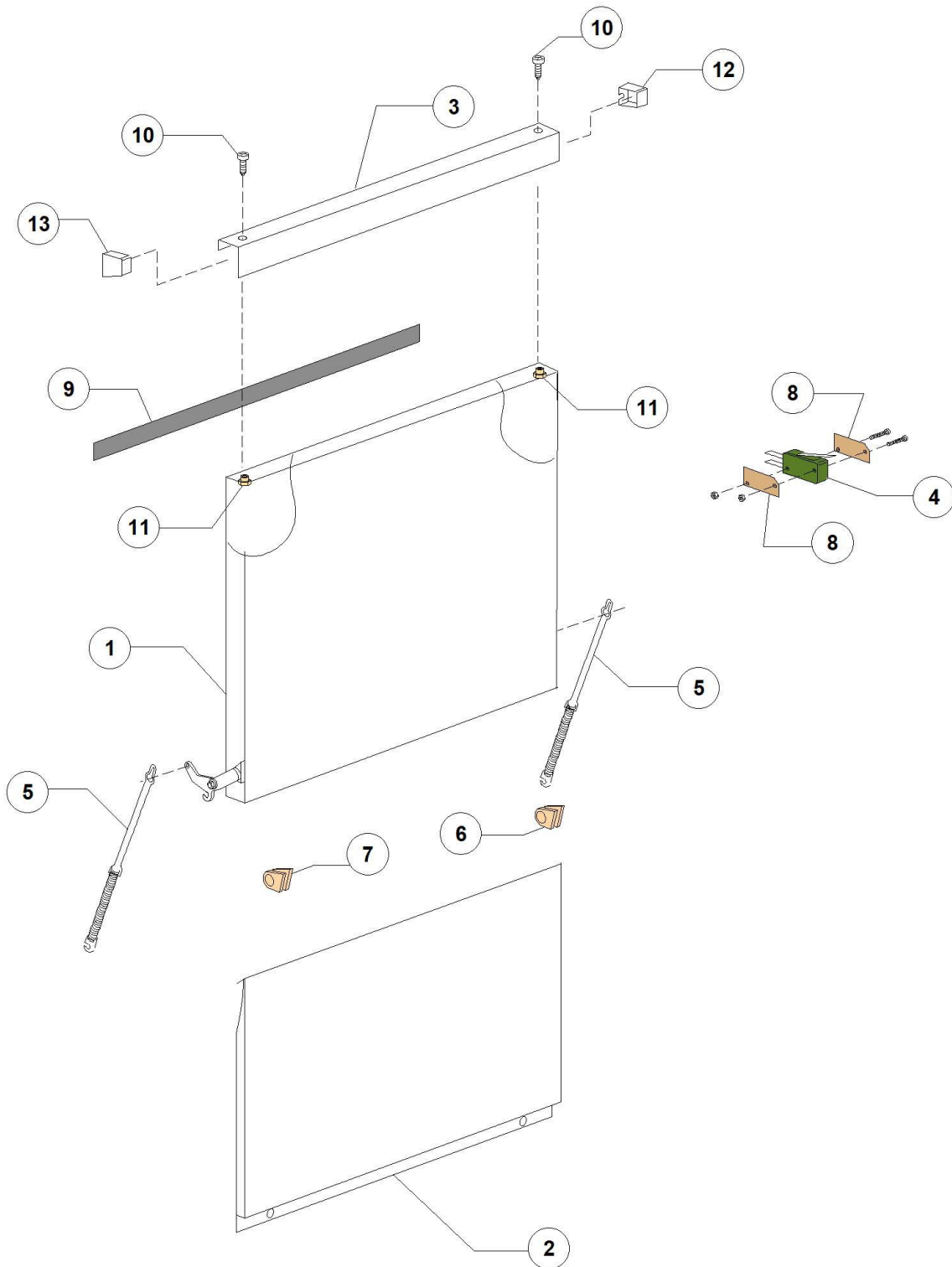
ELECTRON 500 PLUS PS DDE 380-400/3N/50 - DWL1023899 - General body parts - DW124P



ELECTRON 500 PLUS PS DDE 380-400/3N/50 - DWL1023899 - General body parts - DW124P

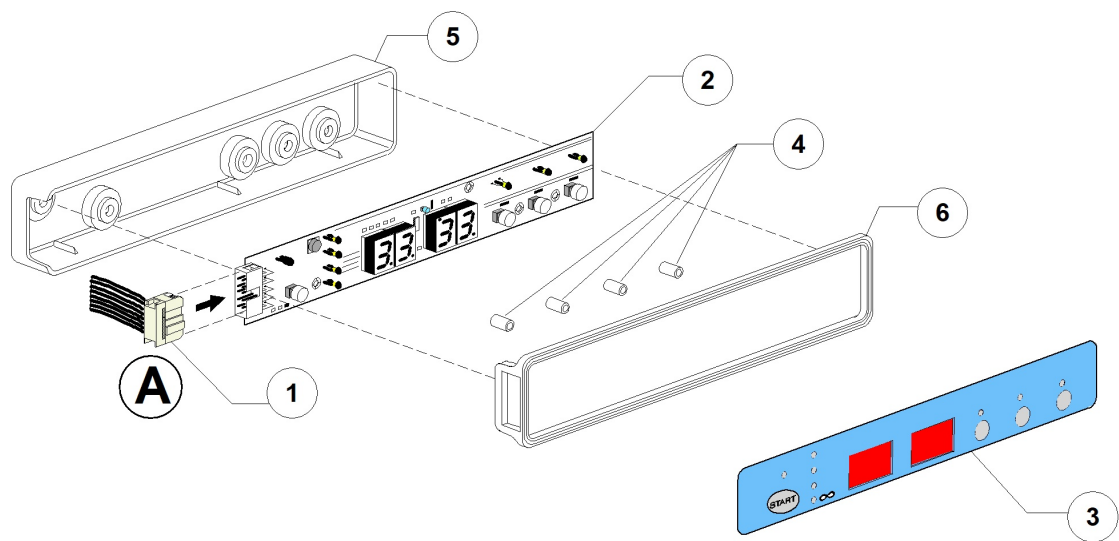
Pos.	Code	Descrizione	Description
1	DW561066	#COPERCHIO TEKNO6 IPX	IPX COVER T6.0
2	DW560938	SCHIENALE PER BREAK-TANK T.6	BACK PANEL BT T6
3	DW560900	#CARROZZERIA TEKNO 6.0	BODYWORK TEKNO 6.0
4	DW15065/A	FISSACAVO PER VITI AUTOF (NR.2x11007)	CABLE-FASTENER WITH SCREW
5	DW560925	ASSIEME FILTRO SUPERFICE VASCA T.6	TANK SURFACE FILTER
6	DW150047	RESIST.2700/2940W 230/240V 1	2700/2940W 230/240V 1 HEATING ELEM.
7	DW560914	FIANCO DX TEKNO 6.0	RIGHT SIDE T6.0
8	DW560915	FIANCO SX TEKNO 6.0	LEFT SIDE T6.0
9	DW10786	PIEDINO M10X35 DIAM.30 NERO	M10X35 D.30 BLACK FOOT
12	DW560020	TROPPOP.CON TAPPO D'ARIA TEKNO 6 PS	OVERFLOW PIPE WITH AIR PLUG TEKNO 6.0 PS
13	DW13021	GUARNIZIONE DEM 40 PER TROPPOPP. GS	OVERFLOW PIPE GASKET DEM 40 (MIN. 2 PCS)
14	DW11711	DADO M10 ZINCATO DIN934	ZINC PLATED NUT M10 (MIN. 20PCS)
15	DW13317	PASSACAVO D.40 IN GOMMA RB38	RUBBER FAIRLEAD D.40 RB38 (MIN. 2 PCS)
16	DW13323	PASSACAVO IN GOMMA D.13	RUBBER FAIRLEAD D.13 (MIN. 2 PCS)
17	DW500606	POZZETTO CON SCARICO LATERALE DX	RIGHT SIDE SCRAP TRAY
18	DW80208	GUARNIZIONE RAMPA LP2 DIAM.95X75X3	RISER GASKET D.95X75X3 (MIN. 2 PCS)
19	DW500601	GHIERA PER POZZETTO	RING NUT
20	DW10726	CANNA CARICO PICC. WRAS m1,5x3/4 EN61770	LOAD PIPE WRAS M1,5x3/4 EN61770
24	DW250043	PIASTRINA RESISTENZA VASCA	TANK HEATING ELEMENT PLAQUE
25	DW15118	CAVO ALIMENTAZIONE 5x2,5x2500	CABLE 5x2,5x2500
26	DW560013	GUARNIZIONE SOTTOP.T.6 PROFILO B.13	PROFILE FOR LOWER DOOR SEAL

ELECTRON 500 PLUS PS DDE 380-400/3N/50 - DWL1023899 - Door - DW124P



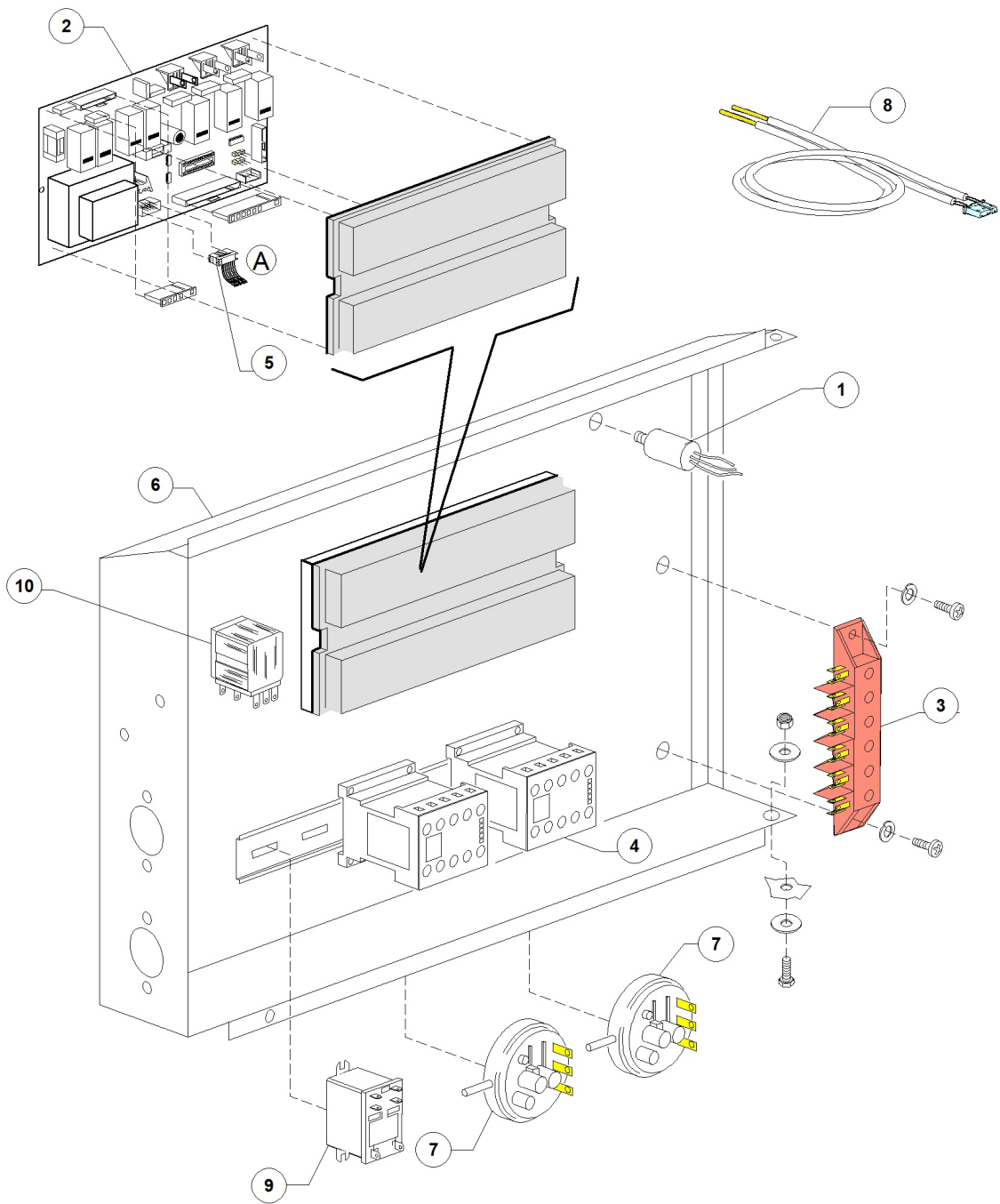
ELECTRON 500 PLUS PS DDE 380-400/3N/50 - DWL1023899 - Door - DW124P

Pos.	Code	Descrizione	Description
1	DW560963	#PORTA (SENZA MANIGLIA) T.6	DOOR T6.0
2	DW560920	SOTTOPORTA TEKNO 6.0	FRONT PANEL TEKNO6
3	DW560959/D	MANIGLIA 500-600 DIHR/2014	S/S HANDLE 500/600 DIHR/2014
4	DW10704	MICRO 16A SICUREZZA PORTA	DOOR MICROSWITCH
5	DW560003	MOLLA SPORTELLO TEK6 FILO 1,7 DE12	DOOR SPRING
6	DW560006	GOMMINO DX PER CERNIERA PORTA TEK.6	DOOR HINGE RIGHT RUBBER LOCK (MIN. 2PCS)
7	DW560007	GOMMINO SX PER CERNIERA PORTA TEK.6	DOOR HINGE LEFT RUBBER LOCK (MIN. 2PCS)
8	DW10770	ISOLANTE PER MICROSWITCH	DOOR MICROSWITCH INSULATION (MIN. 3PCS)
9	DW560021	PROFILO GUARNIZIONE PORTA T.6 E T.4	PROFILE FOR DOOR SEAL
10	DW11220	VITE INOX M4X12 BOSSARD BN5952	M4X12 S/S SCREW BN5952
11	DW11226	"DADO HS A1 M4-10 INOX "INTENSE""	S/S NUT M4



ELECTRON 500 PLUS PS DDE 380-400/3N/50 - DWL1023899 - Control panel and switches - DW124P

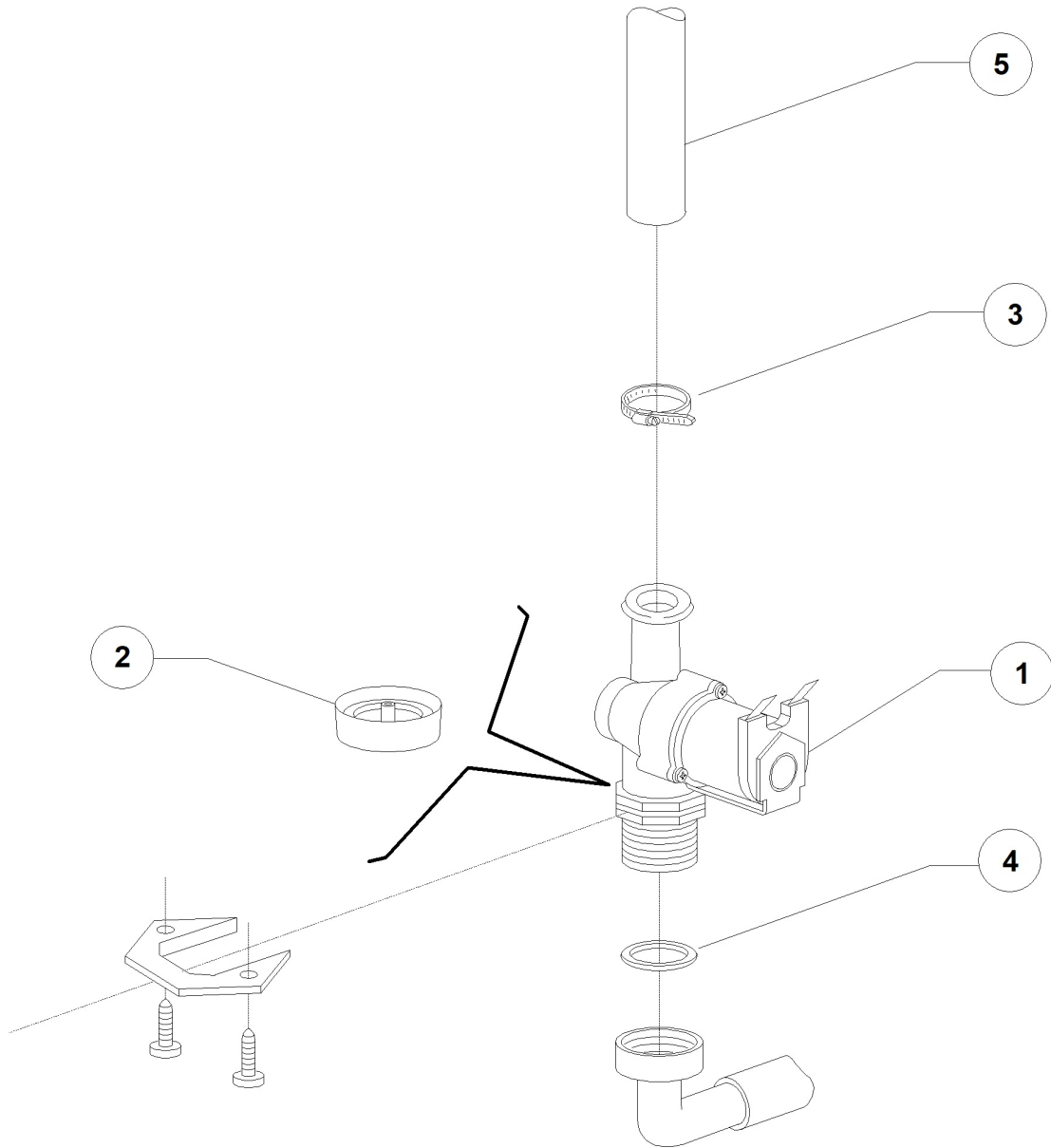
Pos.	Code	Descrizione	Description
1	DW50652	"PIATTINA MULTIFILO "F16p" L3000"	RIBBON CABLE F16p L3000
2	DW50602	"PULSANTIERA A MEMBRANA "ELITE 2010""	PUSH BUTTON PANEL ELITE 2010
3	DW560989	MOSTRINA ELC DIHR/2014 (COPER.INTEGR)	CONTROL OVERLAY DIHR
4	DW50561	DIST. SCHEDE ELETTR. 2009 D.8X10	MAINBOARD SPACER D.8X10
5	DW50602/A	SCATOLA PROT. SCHEDA 50602 (185X40X19)	ELECTRONIC BOARD PROTECTION BOX 50602
6	DW50602/B	GUARNIZIONE PER SCATOLA 50602/A	PROTECTION BOX GASKET DW50602/A



ELECTRON 500 PLUS PS DDE 380-400/3N/50 - DWL1023899 - Electric control components - DW124P

Pos.	Code	Descrizione	Description
1	DW15149	FILTRO ANTIDIS.F3 (CX0.47MF)	LOW NOISE FILTER F3 (CX0.47MF)
2	DW50604	"SCHEDA MADRE "ELITE 2010 PLUS" (BL)"	ELITE MAINBOARD 2010 PLUS (BL)
3	DW500551	MORSETTIERA 6 POLI KL116/6	TERMINAL BOARD 6 POLES FV122 RED
4	DW15086	TELERUTTORE 230V 50/60Hz 4C AC3(6A)	CONTACTOR 230V 50/60Hz 4C AC3(6A)
5	DW50652	"PIATTINA MULTIFILO "F16p" L3000"	RIBBON CABLE F16p L3000
6	DW560921	PORTACOMPONENTI ELETTR.TEKNO 6.0	ELECTRIC COMPONENTS PANEL T6.0
7	DW10706/A	"PRESSOSTATO "EL." 46-26"	PRESSURE SWITCH 46-26
9	DW560304	#RELE'FINDER 230V 50Hz 30A	RELAY 230V 50Hz 30A
10	DW16047	RELE TRIP.16A 230VAC 50/60Hz	TRIPOLAR RELAY 16A 230VAC 50/60Hz
11	DW50562	SONDA TERMOSTATO SCHEDA DIHRECO2	THERMOSTAT PROBE DIHRECO2

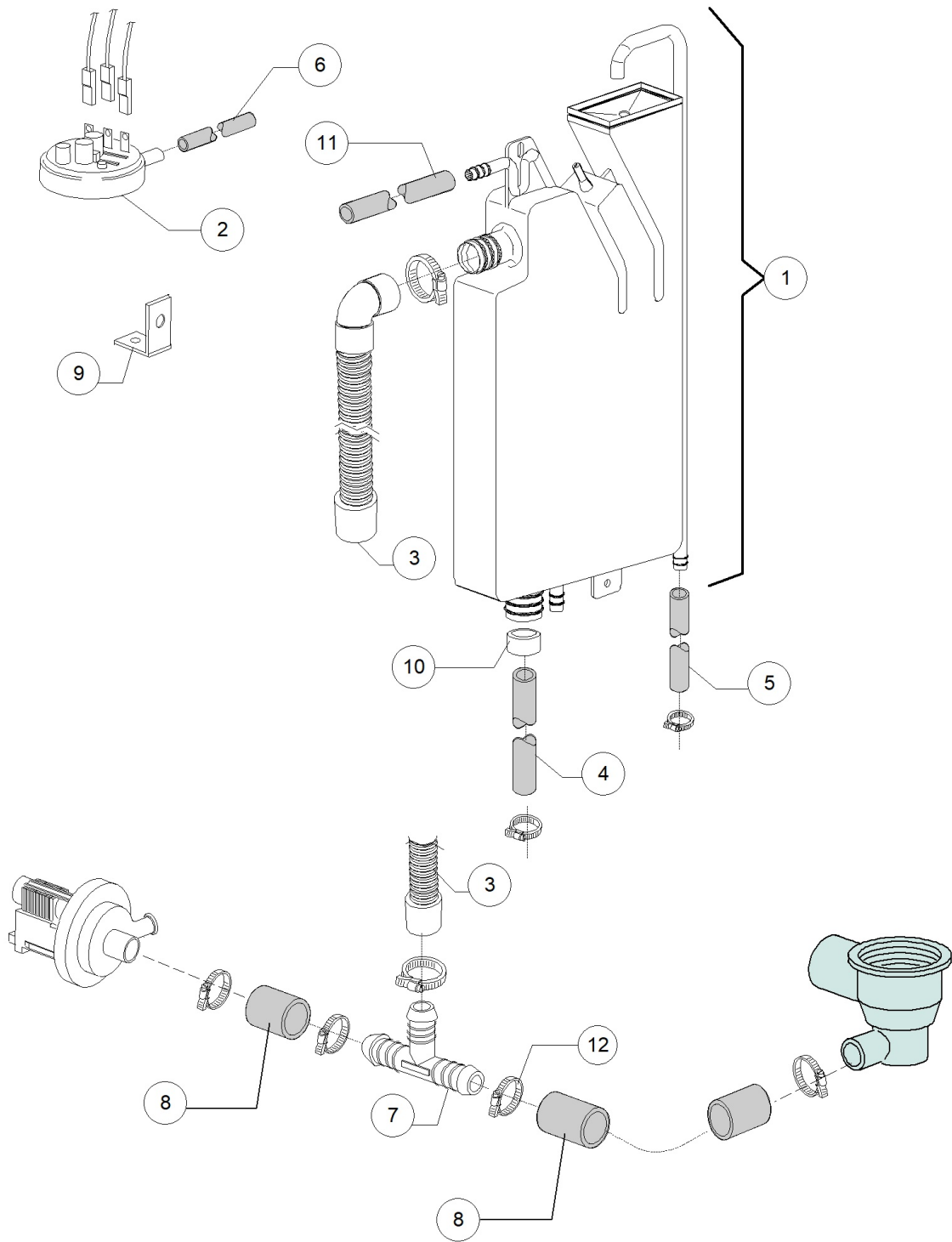
ELECTRON 500 PLUS PS DDE 380-400/3N/50 - DWL1023899 - Solenoid valve group - DW124P



ELECTRON 500 PLUS PS DDE 380-400/3N/50 - DWL1023899 - Solenoid valve group - DW124P

Pos.	Code	Descrizione	Description
1	DW10703	ELETTROV. SING. H2O 230V DIS.LS036	SINGLE SOLENOID VALVE H2O 230V
3	DW11807	FASCETTE AISI 430 12/22	CLAMP 12/22 AISI 430
4	DW13307	GUARNIZ. 3/4 CARICO H2O DIS.LS061	GUARNIZ. 3/4 CARICO H2O DIS.LS061
5	DW14506	TUBO GOMMA DIAM 9,5X16 EPDM	9,5X16 EPDM RUBBER HOSE
5	DW2907351	TUBO GOMMA EPDM 11,5X19	11,5X19 EPDM RUBBER HOSE
5	DW2907352	TUBO GOMMA PVC WRAS BT	PVC WRAS RUBBER HOSE

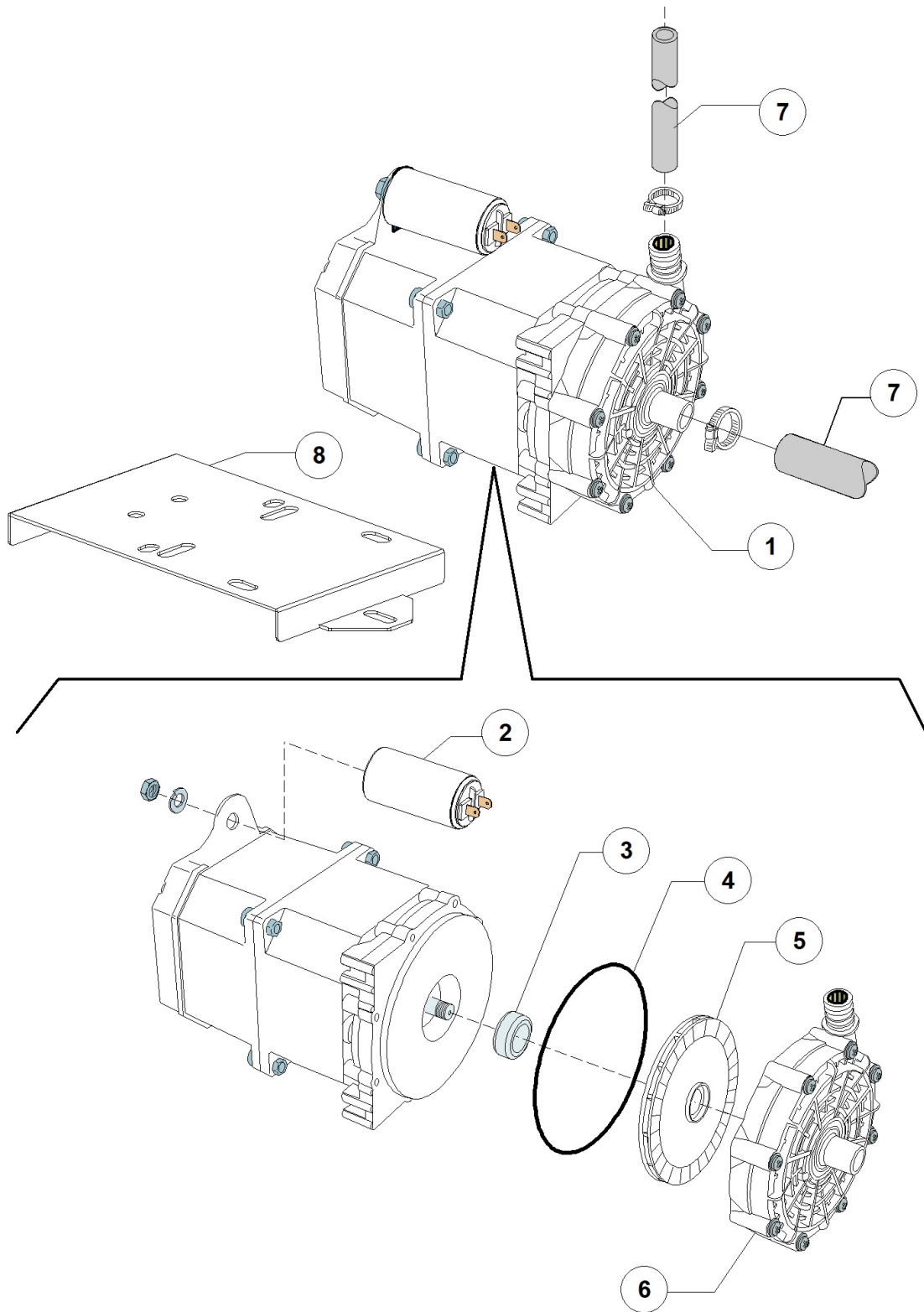
ELECTRON 500 PLUS PS DDE 380-400/3N/50 - DWL1023899 - Break Tank - DW124P



ELECTRON 500 PLUS PS DDE 380-400/3N/50 - DWL1023899 - Break Tank - DW124P

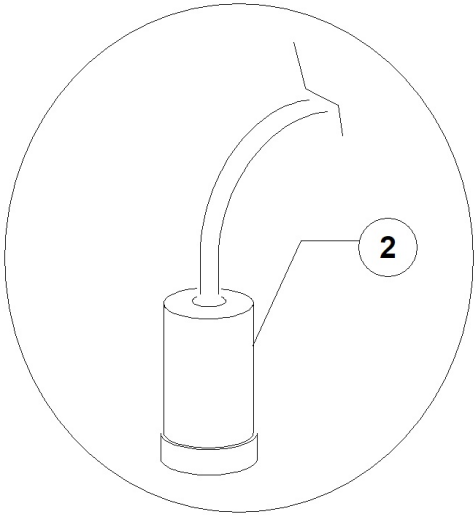
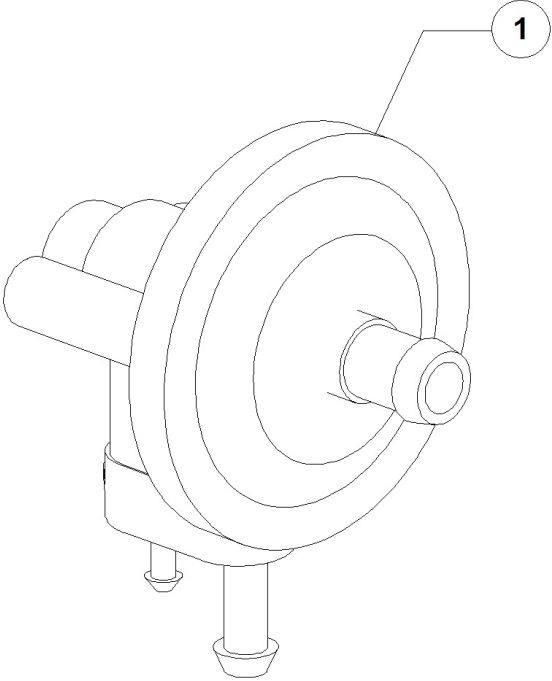
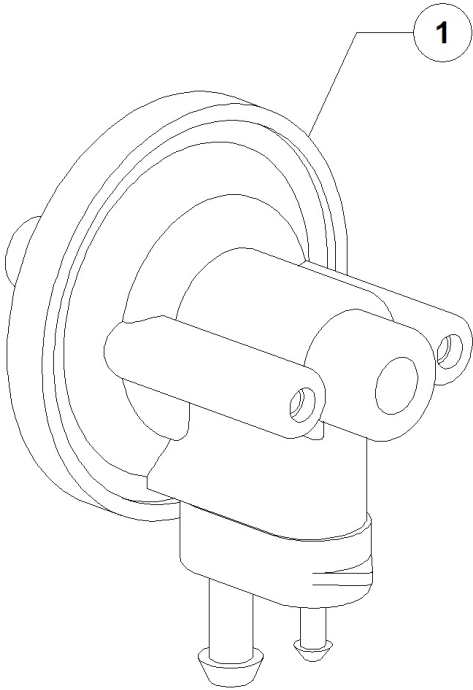
Pos.	Code	Descrizione	Description
1	DW15735	ASSIEME BREAK TANK 2.4	BREAK TANK ASSEMBLY 2.4LT
2	DW10706/A	"PRESSOSTATO "EL." 46-26"	PRESSURE SWITCH 46-26
3	DW15722	CANNA B.T. D28-90 \varnothing /D24 DIRITTO L920	BREAK TANK MIDDLE PIPE D.28/24 L920
4	DW18044	TUBO DIAM.28 EPDM LAV.SUP. STAR	D.28 EPDM PIPE
5	DW2907352	TUBO GOMMA PVC WRAS BT	PVC WRAS RUBBER HOSE
6	DW14508	TUBO EPDM 4.5X9 PER PRESSOSTATO	EPDM HOSE 4.5X9 FOR PRESSURE SWITCH
7	DW540098	DERIV. 3VIE T D25 PLASTICA	PLASTIC Y-PIECE D.25
8	DW561067	TUBO D28-26 EPDM PER DERIV.3VIE	HOSE EPDM D.28/26
9	DW135314	STAFFA PRESSOSTATO SERIE K	PRESSURE SWITCH SUPPORT
10	DW12533	RINFORZO COLLARE USCITA BREAK TANK	BREAK TANK OUTLET COLLAR REINFORCEMENT
11	DW14506	TUBO GOMMA DIAM 9,5X16 EPDM	9,5X16 EPDM RUBBER HOSE
12	DW11806	FASCETTE AISI 430 25/40	CLAMP 25/40 AISI 430

ELECTRON 500 PLUS PS DDE 380-400/3N/50 - DWL1023899 - Rinsing pump / Booster pump - DW124P



ELECTRON 500 PLUS PS DDE 380-400/3N/50 - DWL1023899 - Rinsing pump / Booster pump - DW124P

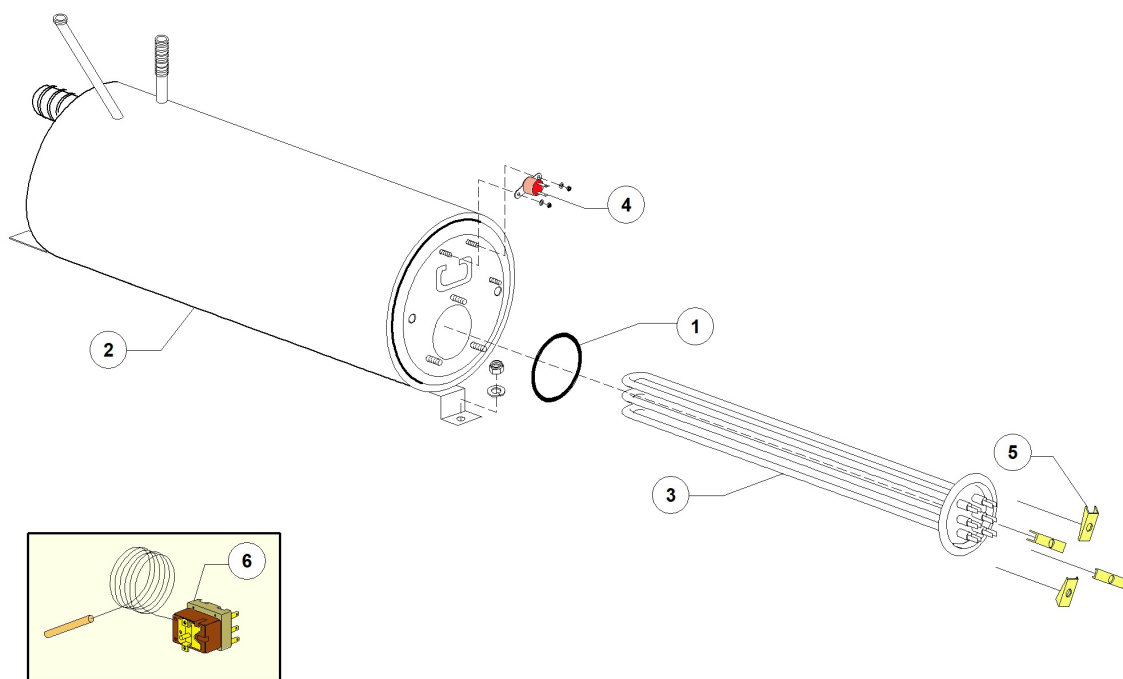
Pos.	Code	Descrizione	Description
1	DW15100/DO	POMPA RISCIAQUO 220-240/50 (PLUS)	RINSE PUMP 220-240V/50HZ (PLUS)
2	DW16043	#CONDENSATORE POMPA uf8	uf8 CONDENSER
3	DW15100/S	TENUTE ROTANTI EPDM(15100/DO)	EPDM ROTARY SEAL (15100/DO)
4	DW15100/T	OR EPDM(15100/DO)	O-RING EPDM (15100/DO)
5	DW15100/U	#GIRANTE 90X2.5 (15100/DO)	PUMP ROTOR 90X2.5 (DW15100/DO)
6	DW15100/V	#CHIOCCIOLA ANTE. (15100/DO)	SCROLL FOR PUMP 15100/DO
7	DW2907351	TUBO GOMMA EPDM 11,5X19	11,5X19 EPDM RUBBER HOSE
8	DW23235	STAFFA SUPP. POMPA A.P.	BOOSTER PUMP SUPPORT



ELECTRON 500 PLUS PS DDE 380-400/3N/50 - DWL1023899 - Rinse aid dispenser group - DW124P

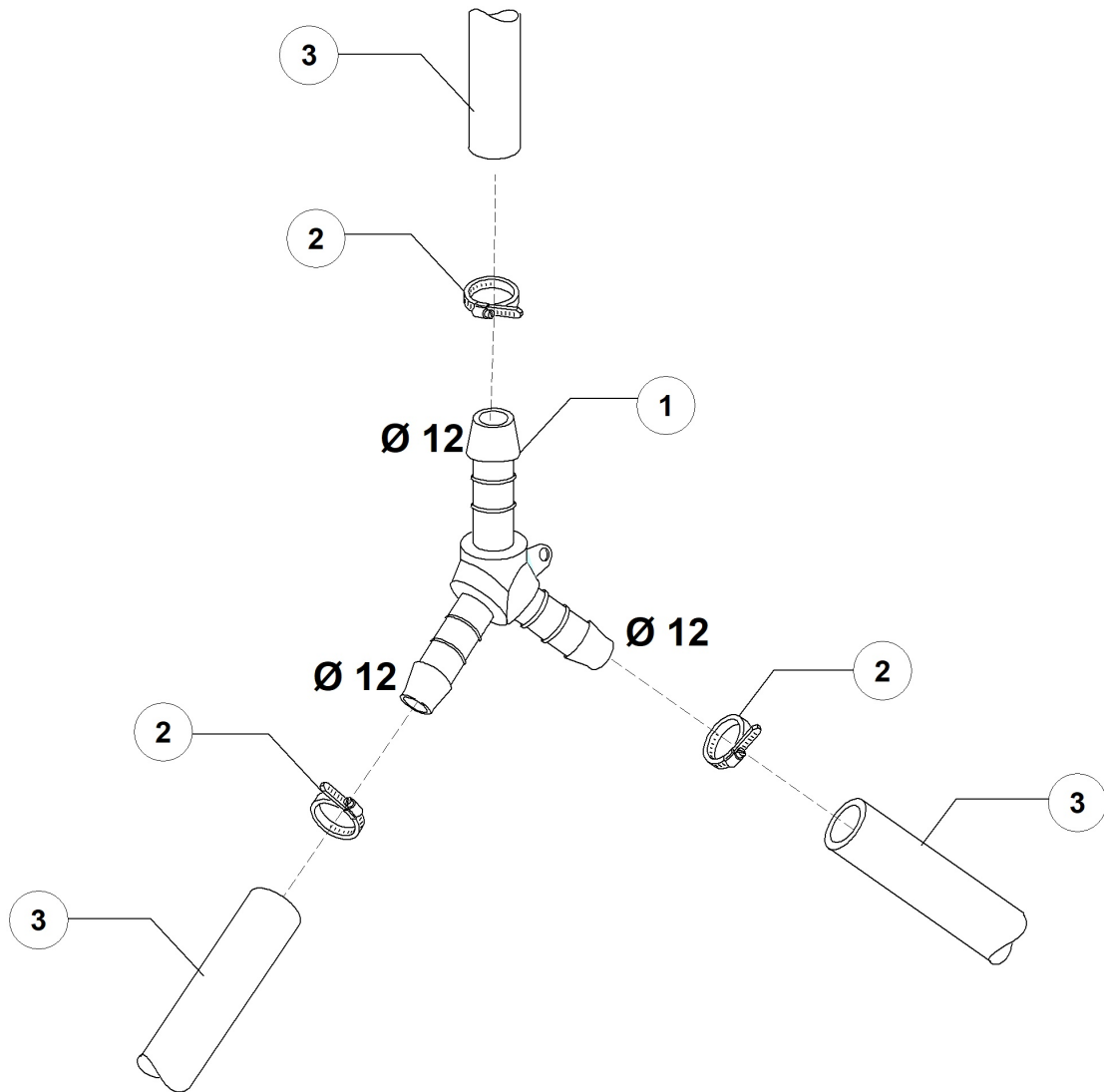
Pos.	Code	Descrizione	Description
1	DW10799/G	DOSATORE BRILLANTANTE	RINSE AID DOSING PUMP
2	DW15058	FILTRINO CON PESO ASPIR. DET/BRIL	SMALL FILTER (MIN. 3 PCS)

ELECTRON 500 PLUS PS DDE 380-400/3N/50 - DWL1023899 - Boiler group - DW124P



ELECTRON 500 PLUS PS DDE 380-400/3N/50 - DWL1023899 - Boiler group - DW124P

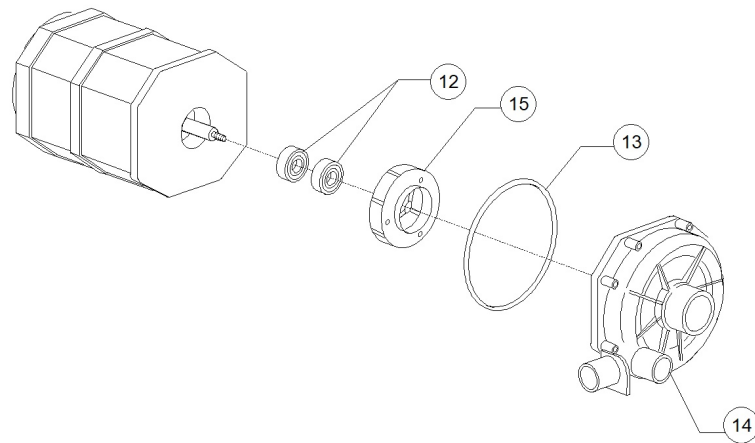
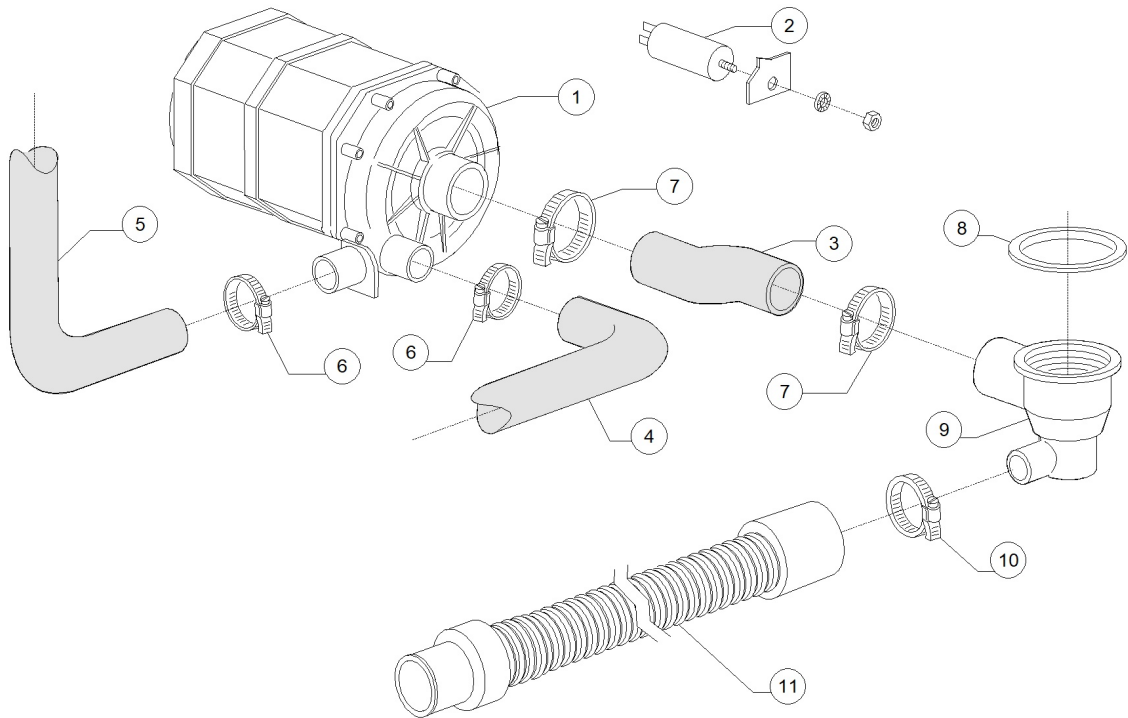
Pos.	Code	Descrizione	Description
1	DW13015	GUARNIZIONE 6225 OR 160 NBR	6225 O-RING 160 NBR
2	DW560062	BOILER ATMOSFERICO D160x460 BA(AISI 304)	ATMOSPHERIC BOILER D160x460 BA(AISI 304)
3	DW15089/E	RESIST.6000/6530W 230/240V 3 L378	6000/6530W 230/240V 3 L378 HEATING ELEM
4	DW15550	#THERMOSTATO SICUR. CONTATTO KLIXON	KLIXON SAFETY THERMOSTAT
5	DW16045	STAFFE FISSAGGIO RESIST.FORO 6.3	HEATING ELEMENT MOUNTING BRACKET D.6,3



ELECTRON 500 PLUS PS DDE 380-400/3N/50 - DWL1023899 - 3 ways connection - DW124P

Pos.	Code	Descrizione	Description
1	DW540091	DERIV. 3VIE Y D12 PLASTICA	PLASTIC Y-PIECE D.12
2	DW11807	FASCETTE AISI 430 12/22	CLAMP 12/22 AISI 430
3	DW2907351	TUBO GOMMA EPDM 11,5X19	11,5X19 EPDM RUBBER HOSE

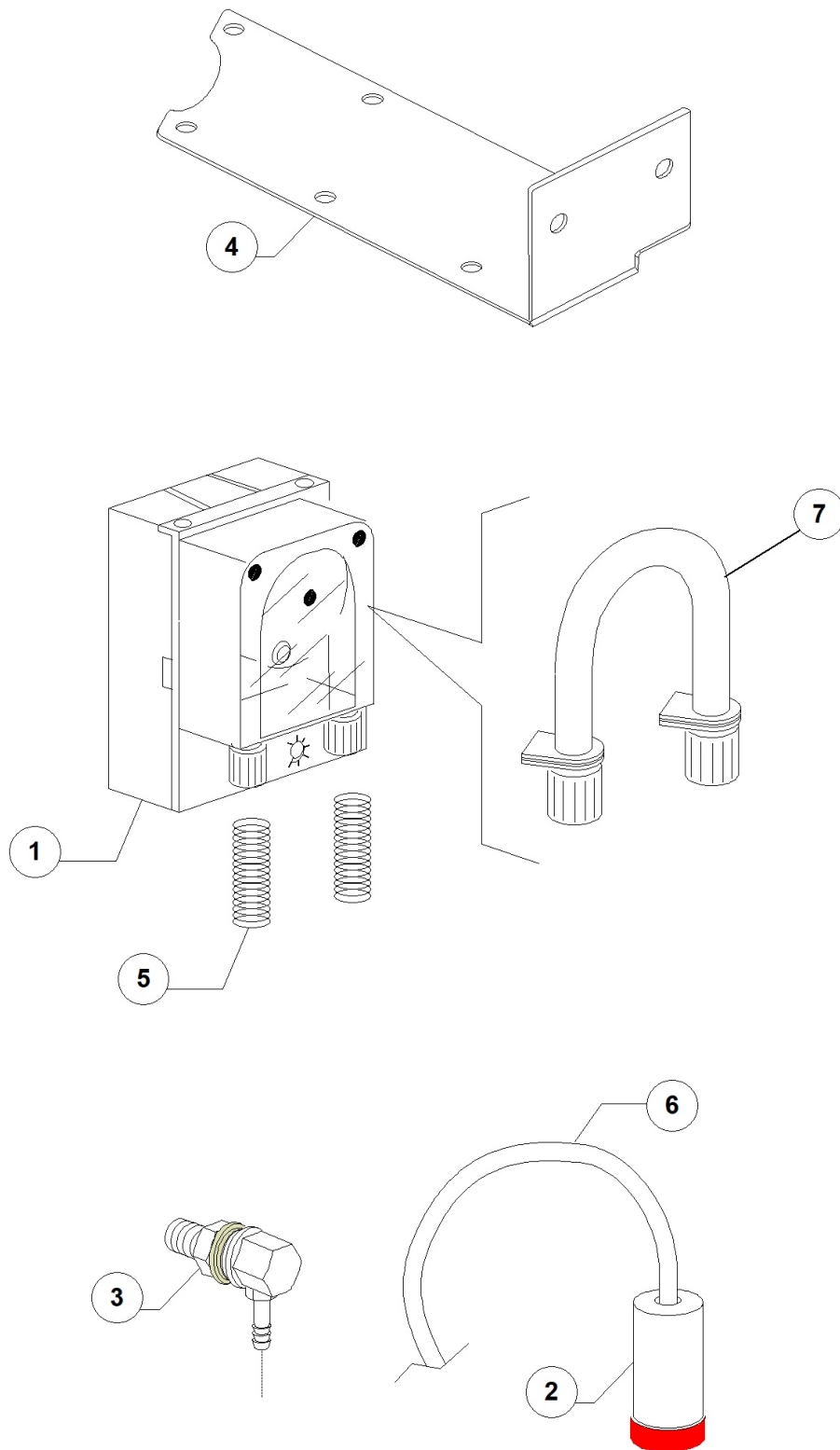
ELECTRON 500 PLUS PS DDE 380-400/3N/50 - DWL1023899 - Wash pump group - DW124P



ELECTRON 500 PLUS PS DDE 380-400/3N/50 - DWL1023899 - Wash pump group - DW124P

Pos.	Code	Descrizione	Description
1	DW150914	POMPA HP0.7 TIPO 50 230V.50Hz CON F	PUMP HP0.7 230V/50HZ
2	DW15081	#CONDENSATORE 12.5 uF.	12,5 UF CONDENSER
3	DW25032/A	MANICOTTO ASPIRAZ.GS50 DIAM.60/50	SUCTION PIPE COUPLING
4	DW560014	TUBO MANDATA POMPA TORR.INF.LAV T.6	PUMP/LOWER WASH TURRET DELIVERY PIPE
5	DW150048/A	TUBO MANDATA SUP. GS50	TOP DELIVERY PIPE GS50
6	DW11806	FASCETTE AISI 430 25/40	CLAMP 25/40 AISI 430
7	DW11824	FASCETTA AISI 430 50-70	CLAMP 50/70 AISI 430
8	DW80208	GUARNIZIONE RAMPA LP2 DIAM.95X75X3	RISER GASKET D.95X75X3 (MIN. 2 PCS)
9	DW500606	POZZETTO CON SCARICO LATERALE DX	RIGHT SIDE SCRAP TRAY
10	DW11807	FASCETTE AISI 430 12/22	CLAMP 12/22 AISI 430
12	DW15080	PREMISTOPA+CONTROFACCIA	ROTATING SEALS
13	DW7130	#GUARNIZIONE OR POMPA	OR PUMP O-RING (MINIMUM 2 PIECES)
14	DW16182	#CHIOCCIOLA POMPA HP0.5 D.50X30	SCROLL
15	DW15079/F	#GIRANTE POMPA HP0.70 D.91C. GS50	PUMP ROTOR 0,70HP D.91

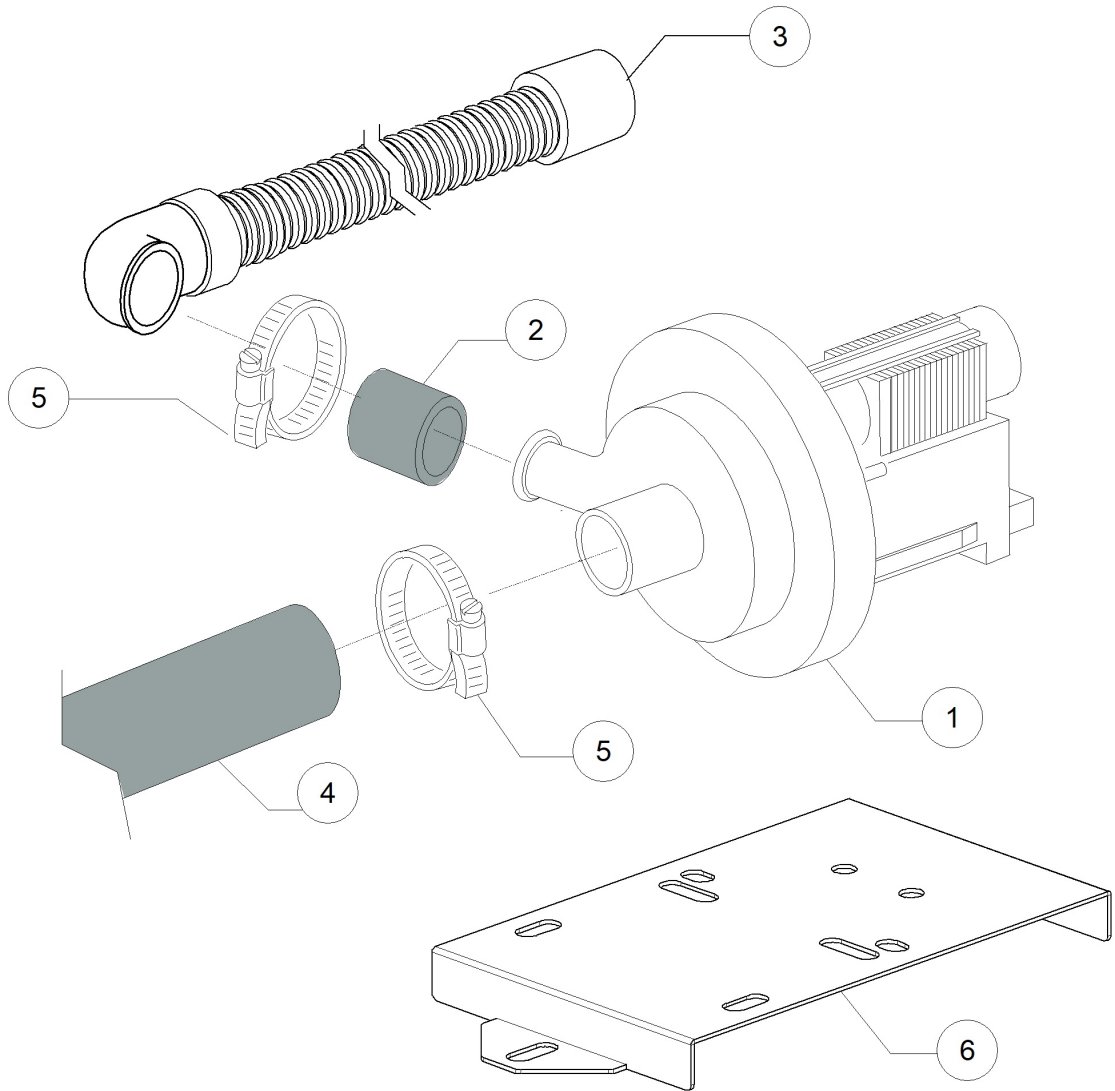
ELECTRON 500 PLUS PS DDE 380-400/3N/50 - DWL1023899 - Dosing detergent group - DW124P



ELECTRON 500 PLUS PS DDE 380-400/3N/50 - DWL1023899 - Dosing detergent group - DW124P

Pos.	Code	Descrizione	Description
1	DW15985	DOS.ELETT.DET REGOLABILE 0-3LT/H	DETERGENT DOSING PUMP 0-3L/H
2	DW15058	FILTRINO CON PESO ASPIR. DET/BRIL	SMALL FILTER (MIN. 3 PCS)
3	DW15123	INIETTORE DETER. A GOMITO INOX	S/S DOSING PUMP INJECTOR
5	DW10763	MOLLA D.05 INOX PER TUB. D.6x4 PVC	PIPE S/S SPRING
6	DW14503	TUBO PVC DIAM.6x4 TRASPARENTE	D.6X4 PVC TRANSPARENT HOSE
7	DW15108/E	TUBO TERMOPLASTICO DDE GERMAC	GERMAC DISPENSER THERMOPLASTIC HOSE
7	DW15185	TUBO MEMBRANA DDE SEKO DET.	SEKO DISPENSER THERMOPLASTIC HOSE
7	DW15297	TUBO MEMBRANA DDE SEKO 04/2013	SEKO DISPENSER THERMOPLASTIC HOSE
7	DW15297/T	TUBO TERMOPLASTICO DDE TECNOPRO	TECNOPRO DISPENSER THERMOPLASTIC HOSE
7	DW15985/A	#TUBO TERMOPLASTICO DDE MICRODOS	MICRODOS THERMOPLASTIC PIPE

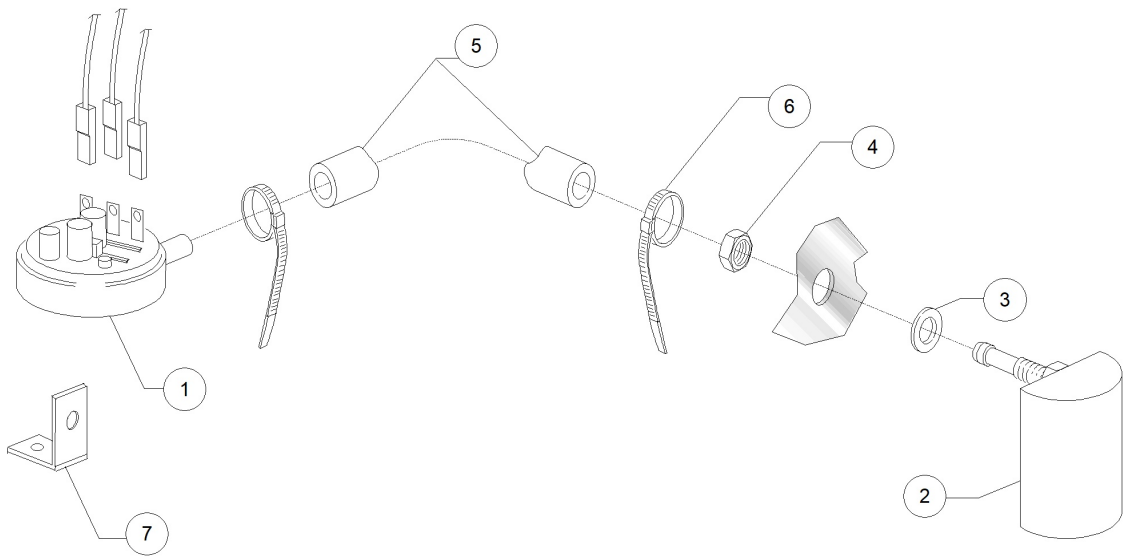
ELECTRON 500 PLUS PS DDE 380-400/3N/50 - DWL1023899 - Drain pump group - DW124P



ELECTRON 500 PLUS PS DDE 380-400/3N/50 - DWL1023899 - Drain pump group - DW124P

Pos.	Code	Descrizione	Description
1	DW15101	POMPA SCARICO SINCR. 220/240V 50Hz	DRAIN PUMP 220-240V/50HZ
2	DW15101/D	MAN.COMP.USCITA PS 28x22 L21	PIPE COUPLING 28X22 L21
3	DW25031	CANNA SCARICO 1,5 MT 24-28 PIPA	DRAIN HOSE 1,5MT 24-28
4	DW18044	TUBO DIAM.28 EPDM LAV.SUP. STAR	D.28 EPDM PIPE
5	DW11806	FASCETTE AISI 430 25/40	CLAMP 25/40 AISI 430
6	DW23235	STAFFA SUPP. POMPA A.P.	BOOSTER PUMP SUPPORT

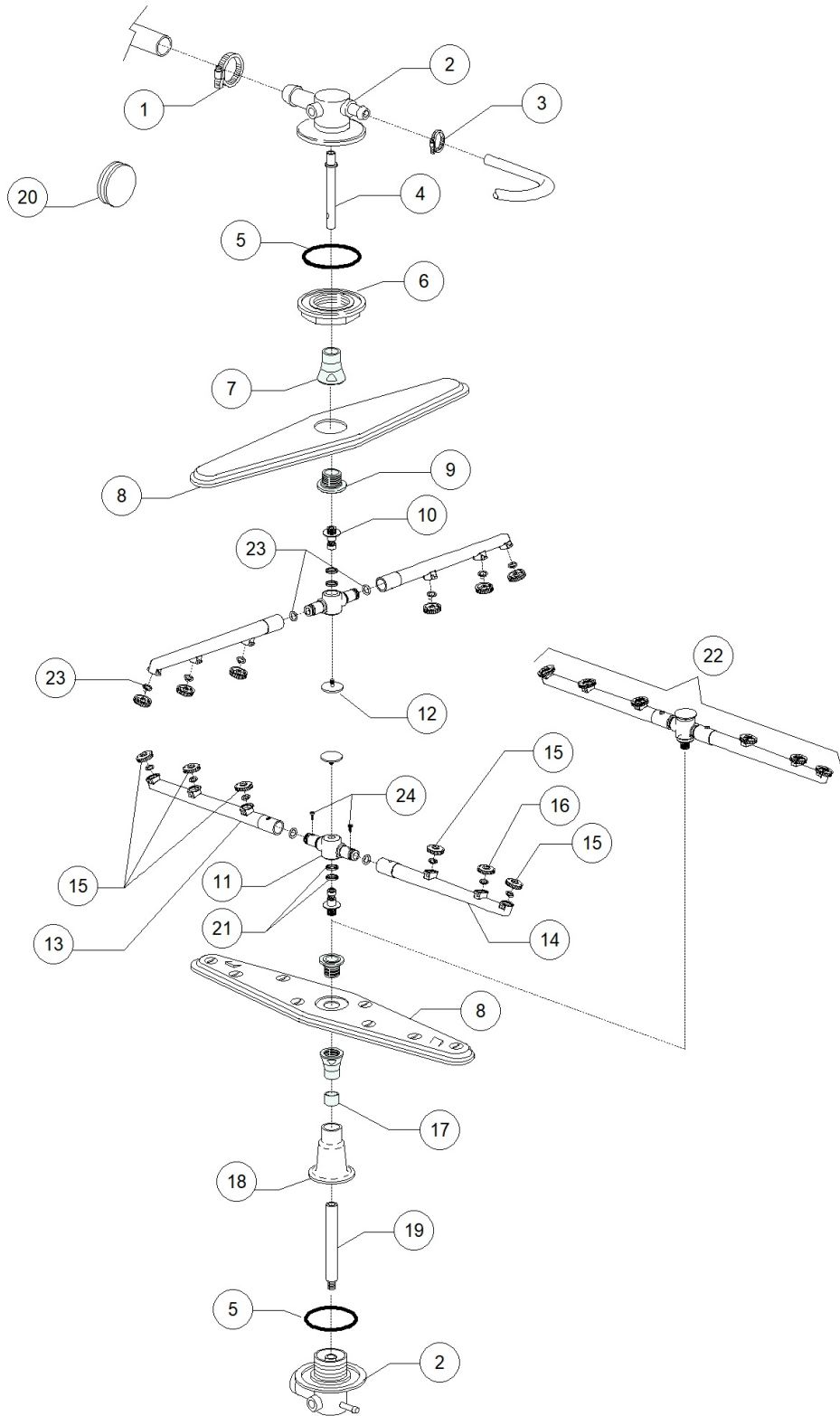
ELECTRON 500 PLUS PS DDE 380-400/3N/50 - DWL1023899 - Pressure switch group - DW124P



ELECTRON 500 PLUS PS DDE 380-400/3N/50 - DWL1023899 - Pressure switch group - DW124P

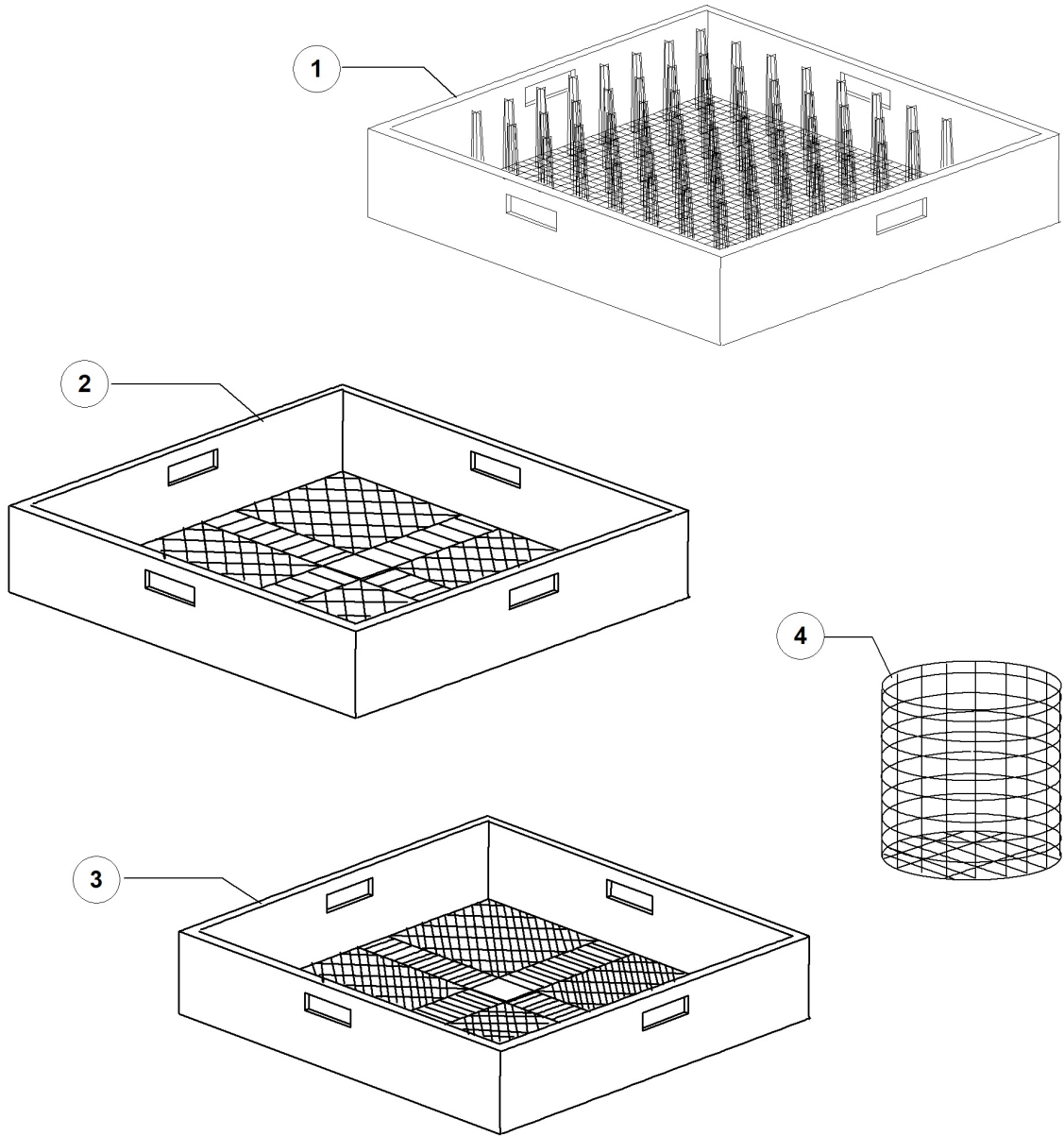
Pos.	Code	Descrizione	Description
1	DW10706/A	"PRESSOSTATO "EL." 46-26"	PRESSURE SWITCH 46-26
2	DW135911/D	ASSIEME GABBIA D'ARIA GRIGIA L56	GREY AIR TRAP ASSEMBLY L56
3	DW13301	GUARNIZ. IN FASTIT 202 D14x8x1,5	O-RING ROLMART D14X8X1,5
4	DW11702	DADO M8 INOX UNI5588 DIN934	S/S NUT M8 DIN934 (MIN. 20 PCS)
5	DW14508	TUBO EPDM 4.5X9 PER PRESSOSTATO	EPDM HOSE 4.5X9 FOR PRESSURE SWITCH
6	DW10738	FASCETTA PLASTICA 98X2.5	PLASTIC CLAMP 98X2,5
7	DW135314	STAFFA PRESSOSTATO SERIE K	PRESSURE SWITCH SUPPORT

ELECTRON 500 PLUS PS DDE 380-400/3N/50 - DWL1023899 - Turret group with rotating arms - DW124P



ELECTRON 500 PLUS PS DDE 380-400/3N/50 - DWL1023899 - Turret group with rotating arms - DW124P

Pos.	Code	Descrizione	Description
1	DW11806	FASCETTE AISI 430 25/40	CLAMP 25/40 AISI 430
2	DW500612	TORRETTA SUP./INF. GS GRIGIO	WASH ARMS'LOWER / UPPER SUPPORT GS
3	DW11807	FASCETTE AISI 430 12/22	CLAMP 12/22 AISI 430
4	DW500703	ASSE RISC.SUP.D16X40 GIR.INOX 05	RINSE UPPER AXE D.16X40 S/S ROTOR 05
5	DW13015	GUARNIZIONE 6225 OR 160 NBR	6225 O-RING 160 NBR
6	DW500623	GHIERA FISS.TORRETTA TIPO 28 GS GRI	FASTENING RING NUT FOR TURRET
7	DW500702	MOZZO GIRANTE PLASTICA 05	HUB FOR PLASTIC ROTOR 05
8	DW500700	GIRANTE LAVAGGIO INOX 05	S/S WASH ROTOR
9	DW500701	GHIERA GIRANTE PLASTICA 05	PLASTIC RING NUT FOR S/S ROTOR
10	DW10651	ASSE RISCIAQUO/03	RINSE AXLE 03
11	DW75920/A	MOZZO PER GIRANTE RISCIAQUO 2009	HUB FOR RINSE ROTOR 2009
12	DW10652	VITE RISCIAQUO/03	RINSE ARM SCREW
13	DW75920/D	TUBO RISC. DX GRIGIO 2009	GREY RIGHT RINSE ARM 2009
14	DW75920/S	TUBO RISC. SX GRIGIO 2009	GREY LEFT RINSE ARM 2009
15	DW10371	TESTA UGEL. RISC. 95 APER. GRIG.(MIN 10)	OPENED RINSE NOZZLE (BATCH 10PCS)
16	DW10372	TESTA UGEL.RISC.95 CHIU. GRIGIO (MIN 10)	CLOSED RINSE NOZZLE (BATCH 10PCS)
17	DW75321	DISTANZ.PER MOZZO 11S 98 SU GIR.INF	SPACER FOR HUB
18	DW500706	MANICOTTO INF.L85mm GRIGIO	LOWER PIPE COUPLING L85
19	DW500705	ASSE RISC.INF.D16X98 GIR.INOX 05	LOWER RINSE AXLE D.16X98 S/S ROTOR 05
20	DW13316/A	GUARNIZIONE CIECA PER FORO DVGW	DVGW HOLE PLUG
21	DW75920/B	ANELLI TENUTA MOZZO RISCIAQUO 2009	BAGUE D'ESPACEMENT
22	DW75920	GRUPPO RISC.SUP/INF 2009	UPPER/LOWER RINSE ASSEMBLY 2009
23	DW13002	GUARNIZIONE OR R6 NBR	O-RINGR R6 NBR (MIN. 10 PCS)
24	DW11004	VITE TCB D.8 DENTATA 4X10 SPAX	4X10 TCB D.8 SPAX TOOTHED SCREW



ELECTRON 500 PLUS PS DDE 380-400/3N/50 - DWL1023899 - Baskets - DW124P

Pos.	Code	Descrizione	Description
1	DWC40	CESTO PIATTI PLASTICA 50X50	PLASTIC PLATES BASKET 500X500
2	DWC44	CESTO BICCHIERI MAGL.LARGA PLASTICA	500X500 LARGE MESH GLASS BASKET
3	DWC41	CESTO POSATE MAG.STRETTA PLASTICA	CUTLERY BASKET - TIGHT MESH (PLASTIC)
4	DW15060	INSERTO CUCCHIAINI GRANDI DIS.G.060	CUTLERY BASKET

