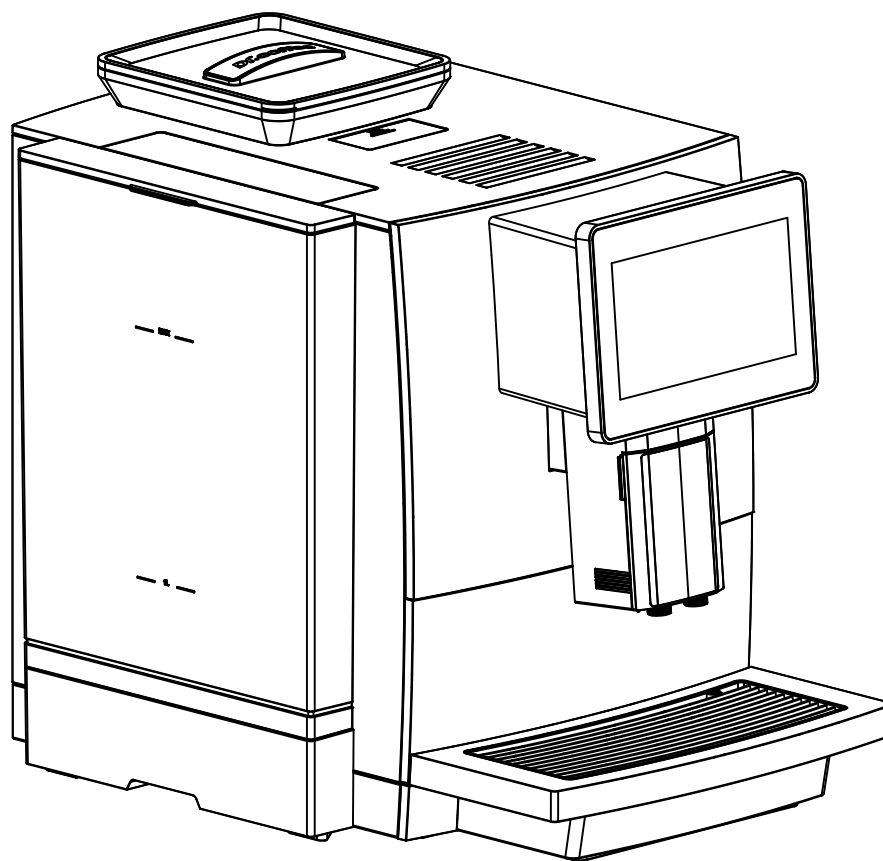


# F10/H10 Explosive view

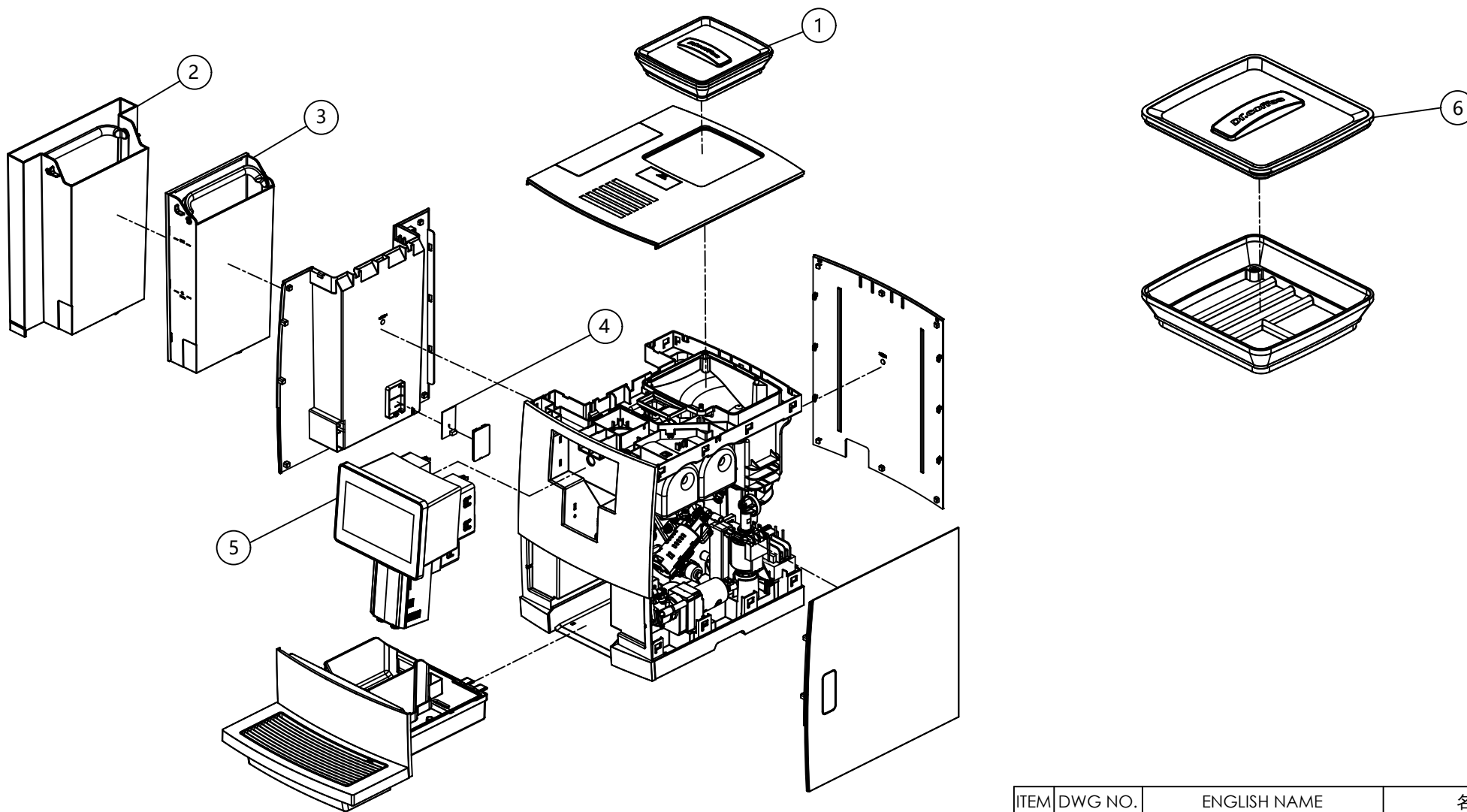
---

ISSUE: 02

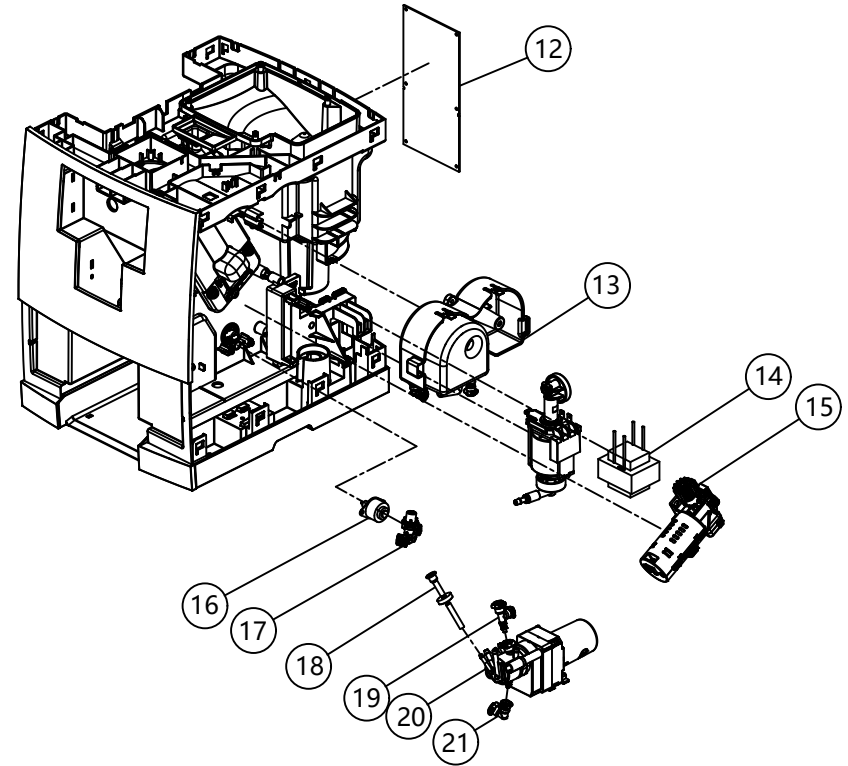
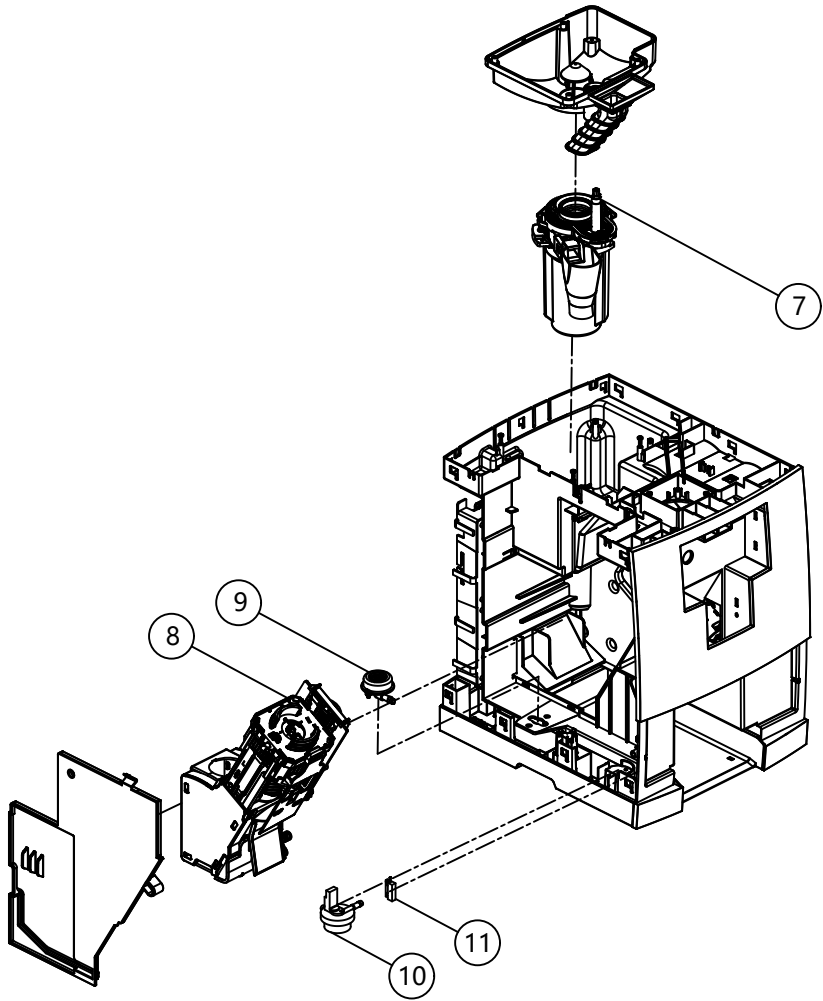


# Content

Appearance group.....	.01
Body holder.....	.02
Water tank group.....	.03
Front pannel assembly.....	.04
Drip tray group.....	.05
Brew group.....	.06
Thermoblock assembly.....	.07
Pump group.....	.08
Ginder group.....	.09
Water inlet valve group.....	.10

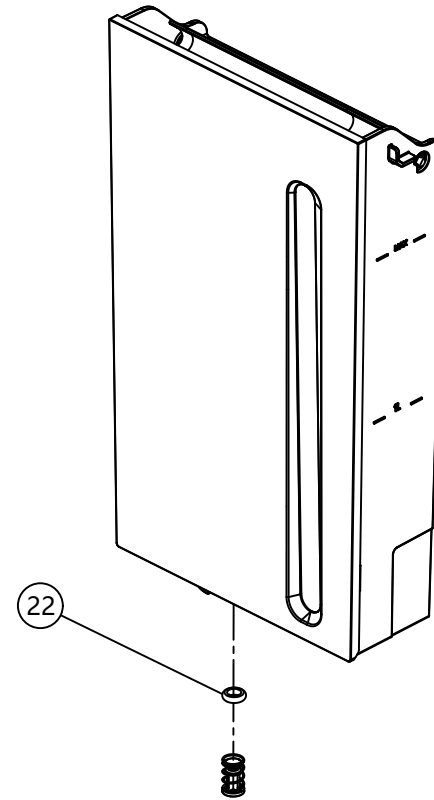
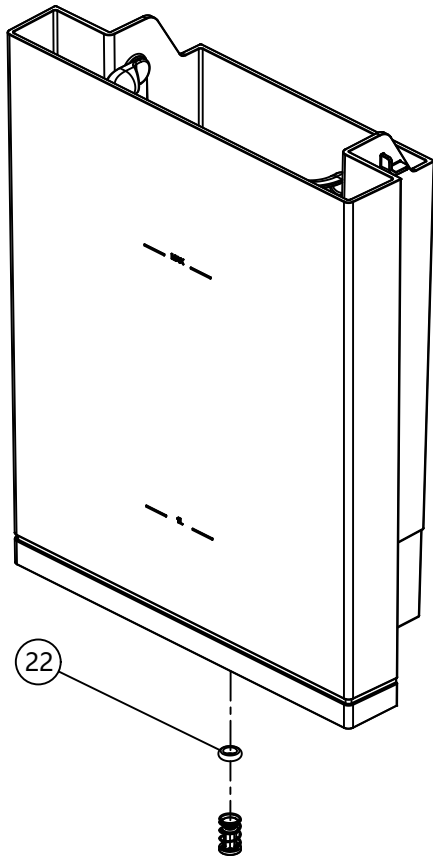


ITEM	DWG NO.	ENGLISH NAME	名称
1	7NN0313	Bean container Group	F10豆盒组
2	7NN0319	Big water tank group(F10)	F10大水箱组(F10)
3	7NN0017	Small water tank group(H10)	F11小水箱组(H10)
4	8D10027	Water level detection PCBA	水位检测PCB
5	7NN0326	Front pannel assembly	F10前面板组
6	7NN0121	Bean container cover	F11豆盒盖组

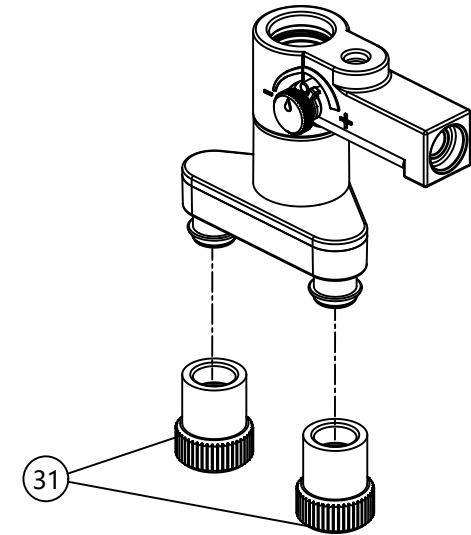
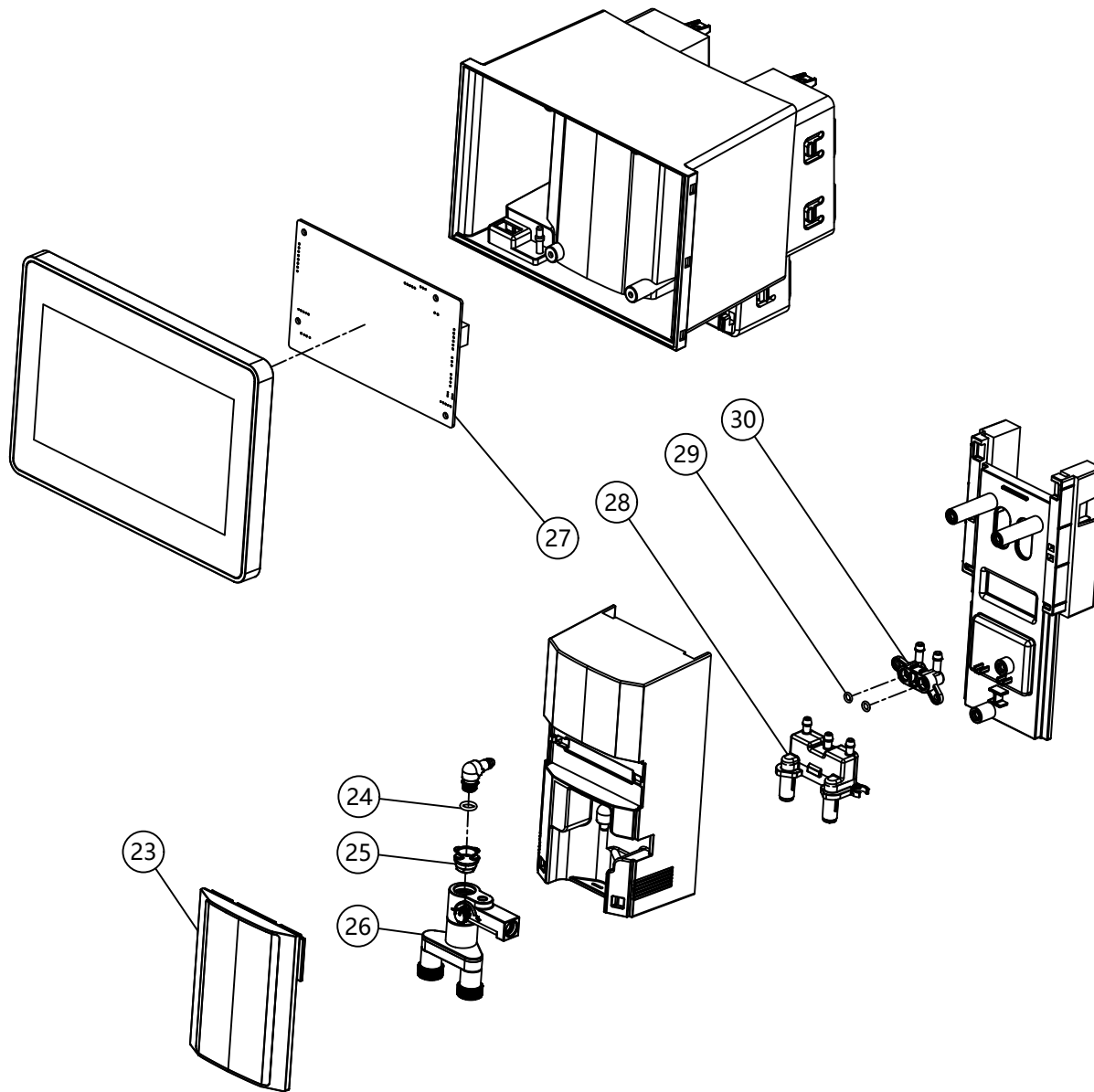


ITEM	DWG NO.	ENGLISH NAME	名称
7	7NN0112	Grinder group	F09磨豆组
8	7NN0103	Brew group	F09冲泡器组
9	7NN0014	Water inlet valve group	F11导水座组
10	8D30017	Flowmeter270° (1.2mm)	流量计270度 (1.2mm)
11	8D30013	Reed switch	干簧管

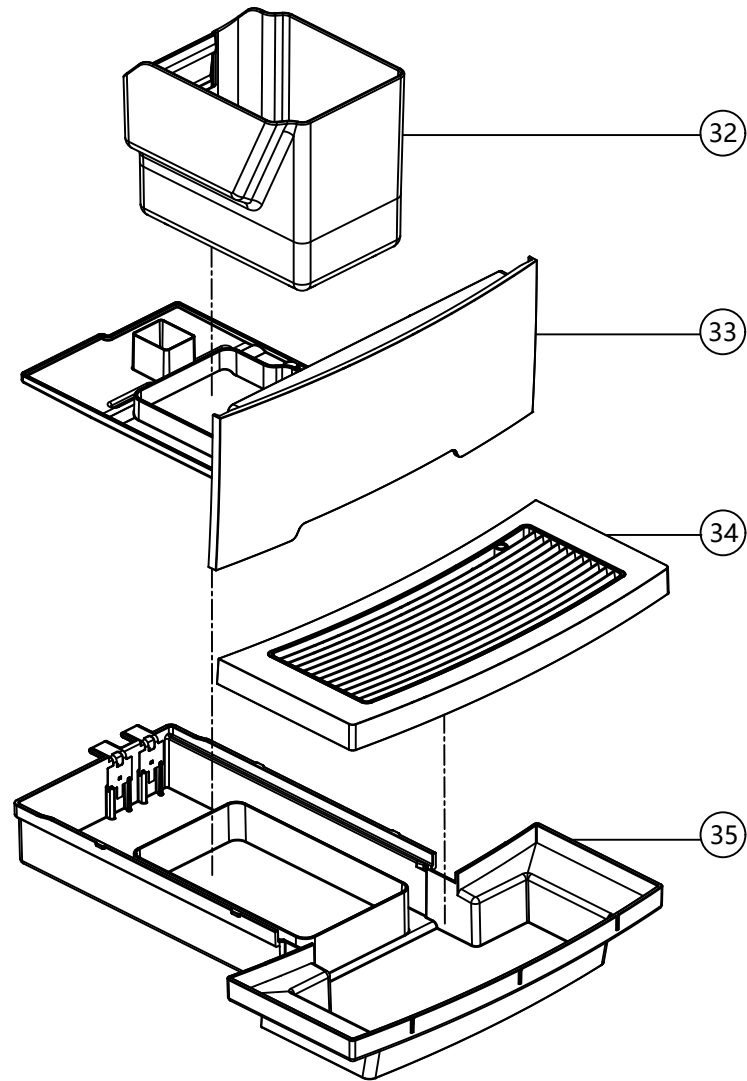
ITEM	DWG NO.	ENGLISH NAME	名称
12	8D10041V1	Main PCBA	F10主板
13	7NN0325	Thermoblock assembly	F10电热盘组
14	8D30016	Transformer	F11变压器
15	7NN0115	Brew motor group	F11传动组
16	8D30014	Stepmotor	泄压步进电机
17	7NN0009	Dispenser valve 3W	蓄压阀组
18	7NN0202	Air inlet valve assembly	鸭嘴阀组
19	8S10144	Fitting	三通转接头
20	7NN0011	Switch valve assembly	F11分向阀组
21	8S10136	Fitting	分向阀转接头



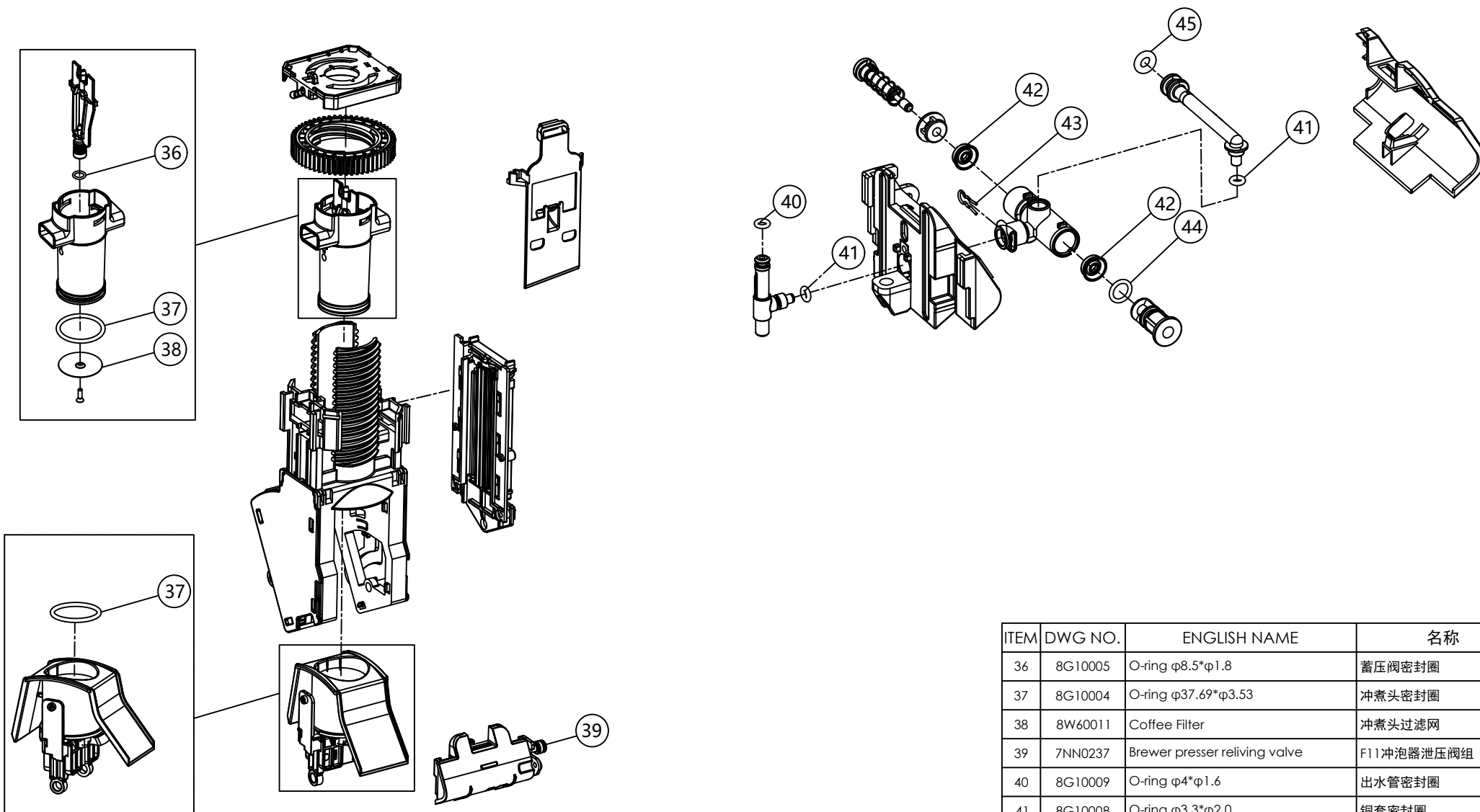
ITEM	DWG NO.	ENGLISH NAME	名称
22	8G10021	O-ring $\phi 5.0 \times \phi 3.75$	大小水箱止逆阀密封圈



ITEM	DWG NO.	ENGLISH NAME	名称
23	7NN0125	Coffee outlet cover group	咖啡出口盖组
24	8G10002	O-ring $\phi 6 * \phi 2.0$	喷嘴密封圈
25	8S10047	Milk bubble nozzle	蒸汽喷嘴
26	7NN0116	Foamer	奶沫器组
27	8D10010	HMI PCBA	F12(M) HMI板
28	8S10333	Coffee outlet	咖啡出口
29	8G10003	O-ring $\phi 3.6 * \phi 1.2$	分向阀密封圈
30	8S10043	Steamer fitting	蒸汽转接管
31	8G20035	Foam applicator	奶沫器缓冲嘴

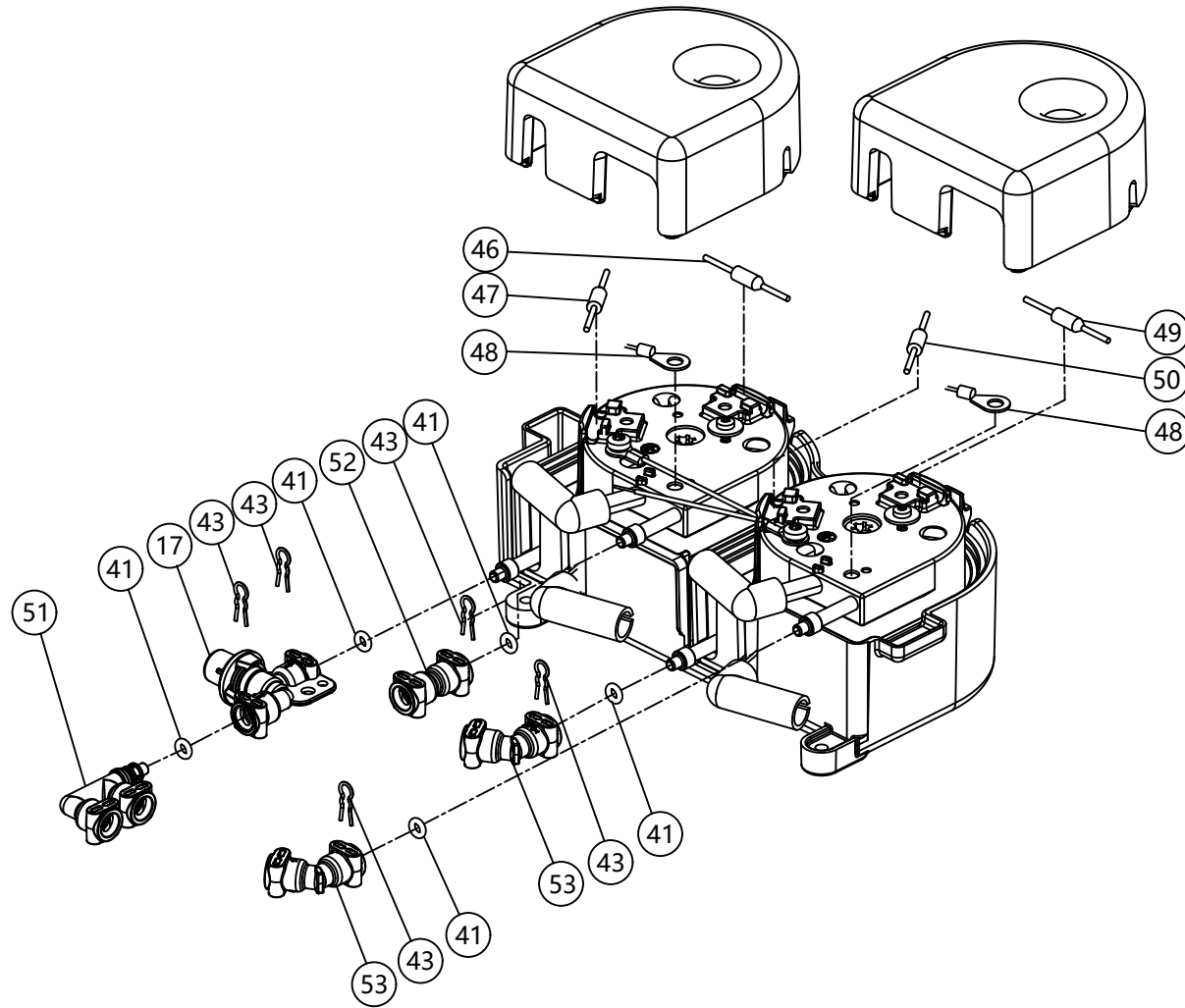


ITEM	DWG NO.	ENGLISH NAME	名称
32	7NN0368	Coffee grounds container	F10废渣盒
33	7NN0540	Coffee grounds container support(silver)	F11废渣盒支撑板(银色)
	7NN0547	Coffee grounds container support(black)	F11废渣盒支撑板(黑色)
	7NN0548	Coffee grounds container support(white)	F11废渣盒支撑板(白色)
	7NN0549	Coffee grounds container support(wine red)	F11废渣盒支撑板(酒红色)
	7NN0550	Coffee grounds container support(orange)	OCS废渣盒支撑板(橙黄色)
	7NN0551	Coffee grounds container support(milky white)	OCS废渣盒支撑板(奶白色)
	7NN0552	Coffee grounds container support(ice blue)	OCS废渣盒支撑板(冰蓝色)
34	7NN0124	Drip tray grill assembly	F11蓄水盘盖组
35	7NN0543	Drip tray	F10蓄水盘

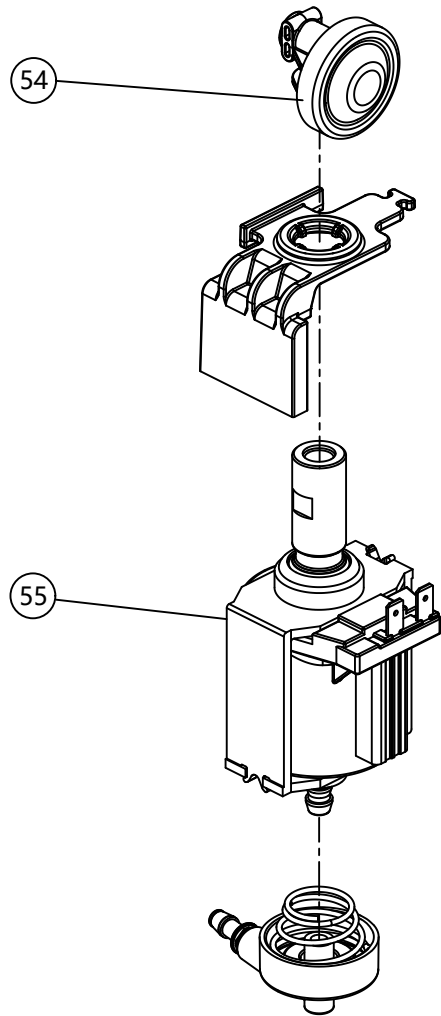


ITEM	DWG NO.	ENGLISH NAME	名称
36	8G10005	O-ring $\phi 8.5 \times \phi 1.8$	蓄压阀密封圈
37	8G10004	O-ring $\phi 37.69 \times \phi 3.53$	冲煮头密封圈
38	8W60011	Coffee Filter	冲煮头过滤网
39	7NN0237	Brewer presser reliving valve	F11冲泡器泄压阀组
40	8G10009	O-ring $\phi 4 \times \phi 1.6$	出水管密封圈
41	8G10008	O-ring $\phi 3.3 \times \phi 2.0$	铜套密封圈
42	8G20007	Y-ring $\phi 12.20 \times \phi 3.65$	泄压阀Y型密封圈
43	8W50023	Spring clip	通用弹簧夹
44	8G10007	O-ring $\phi 8 \times \phi 1.8$	泄水管密封圈
45	8G10001	O-ring $\phi 5.0 \times \phi 3.0$	水箱止逆阀密封圈

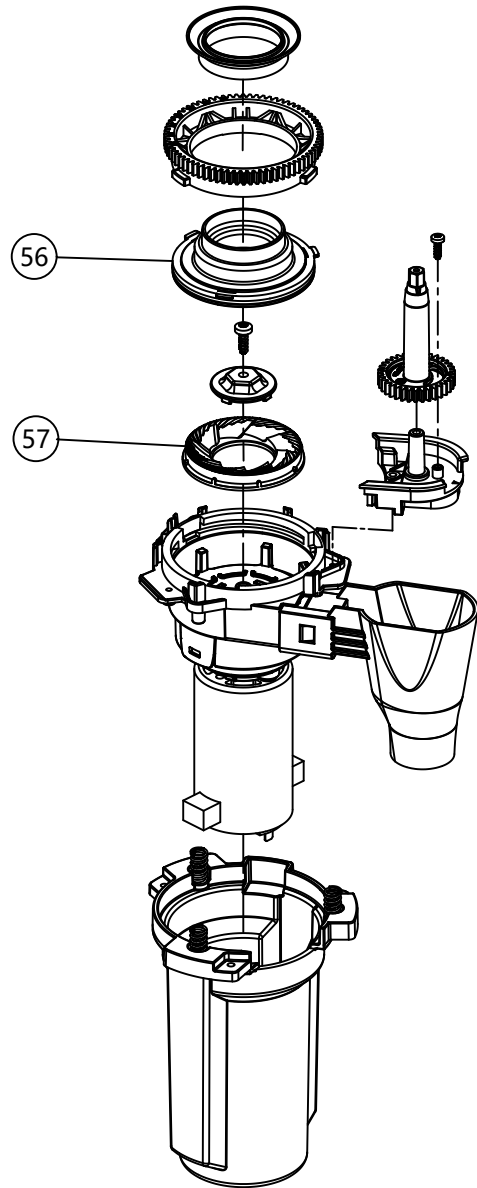




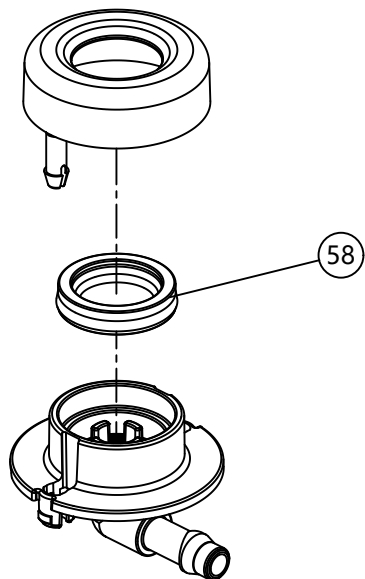
ITEM	DWG NO.	ENGLISH NAME	名称
46	8D20238	Coffee fused-cord-L(220-240V)	咖啡电热盘火线(220-240V)
47	8D20237	Coffee fused-cord-N(220-240V)	咖啡电热盘零线(220-240V)
48	8D30004	Temperature Sensor	电热盘NTC
49	8D20240	Steam fused-cord-L(220-240V)	蒸汽电热盘火线(220-240V)
50	8D20239	Steam fused-cord-N(220-240V)	蒸汽电热盘零线(220-240V)
51	8S10059	Fitting	F型接头
41	8G10008	O-ring $\phi 3.3 \times \phi 2.0$	铜套密封圈
17	7NN0009	Dispenser valve 3W	蓄压阀组
43	8W50023	Spring clip	通用弹簧夹
52	8S10058	Fitting	直通接头
53	8S10428	Fitting	120度两通接头



ITEM	DWG NO.	ENGLISH NAME	名称
54	7NN0012	Membrane controller group	稳压阀组
55	8D30051	Pump (220-240V 50Hz)	水泵 (220-240V 50Hz)
	8D30052	Pump (220-240V 60Hz)	水泵 (220-240V 60Hz)



ITEM	DWG NO.	ENGLISH NAME	名称
56	7NN0119	Upper grinder burr assembly	上刀盘组
57	8T10003	Grinder burr	磨豆刀



ITEM	DWG NO.	ENGLISH NAME	名称
58	8G20014	Y-ring $\phi 22.67 * \phi 13.90$	导水座Y型密封圈