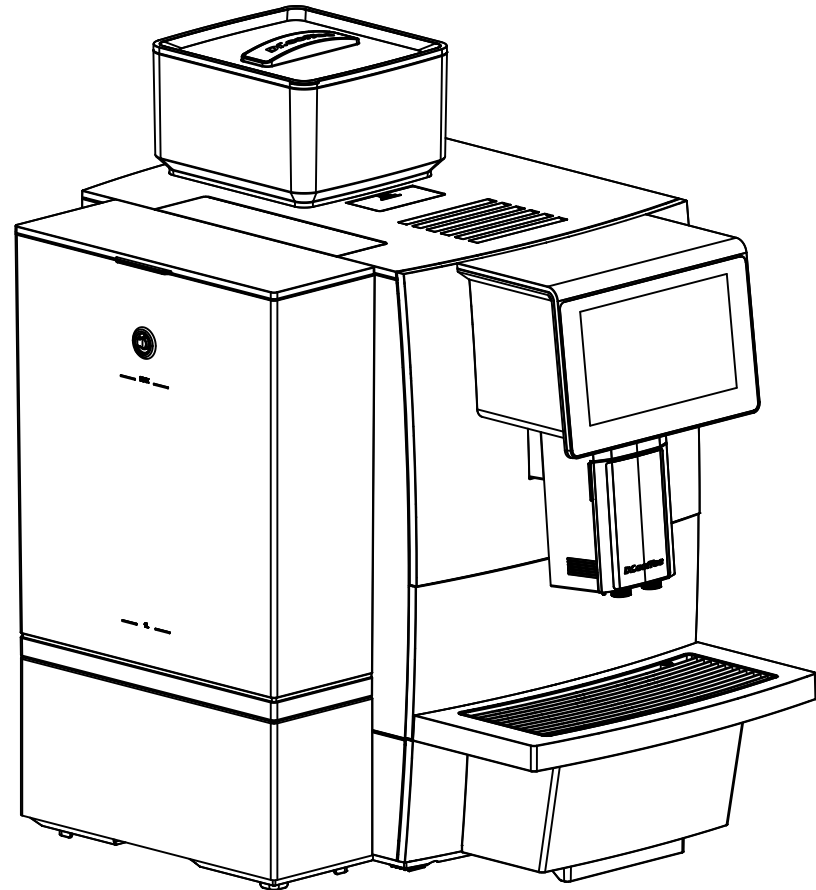


# F11

## Explosive view

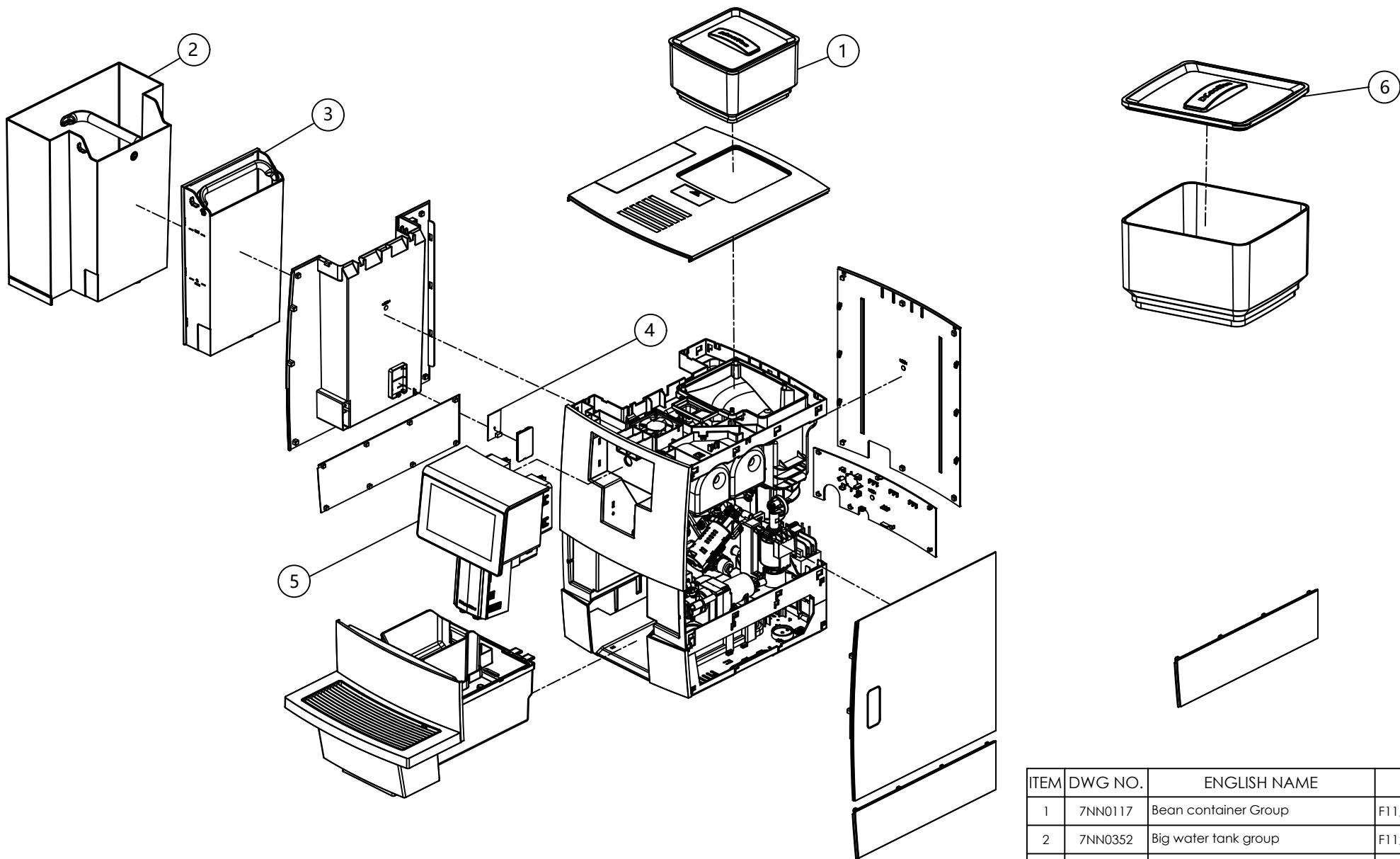
---

ISSUE: 02

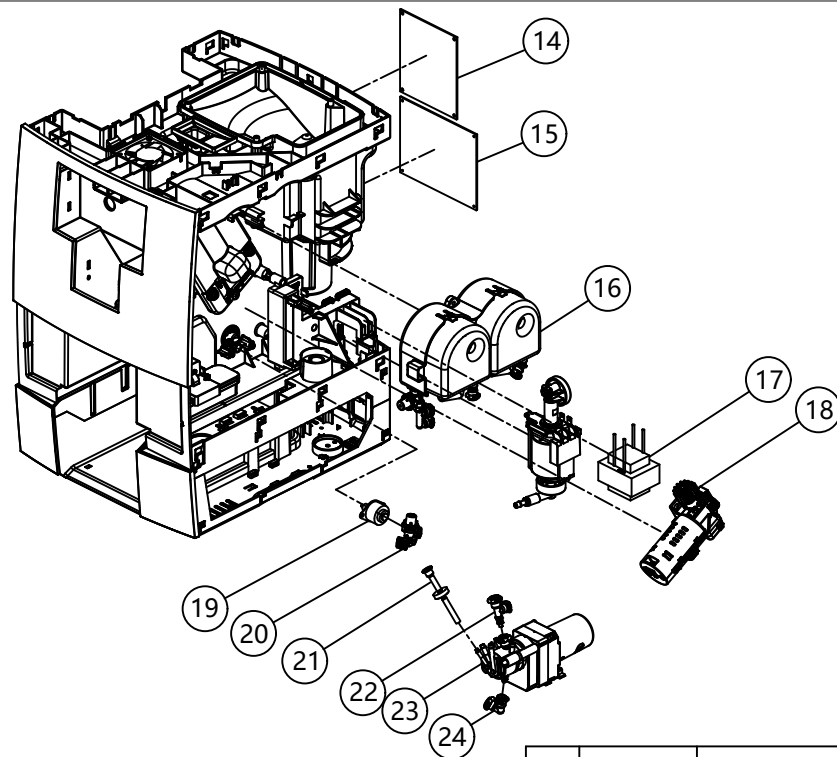
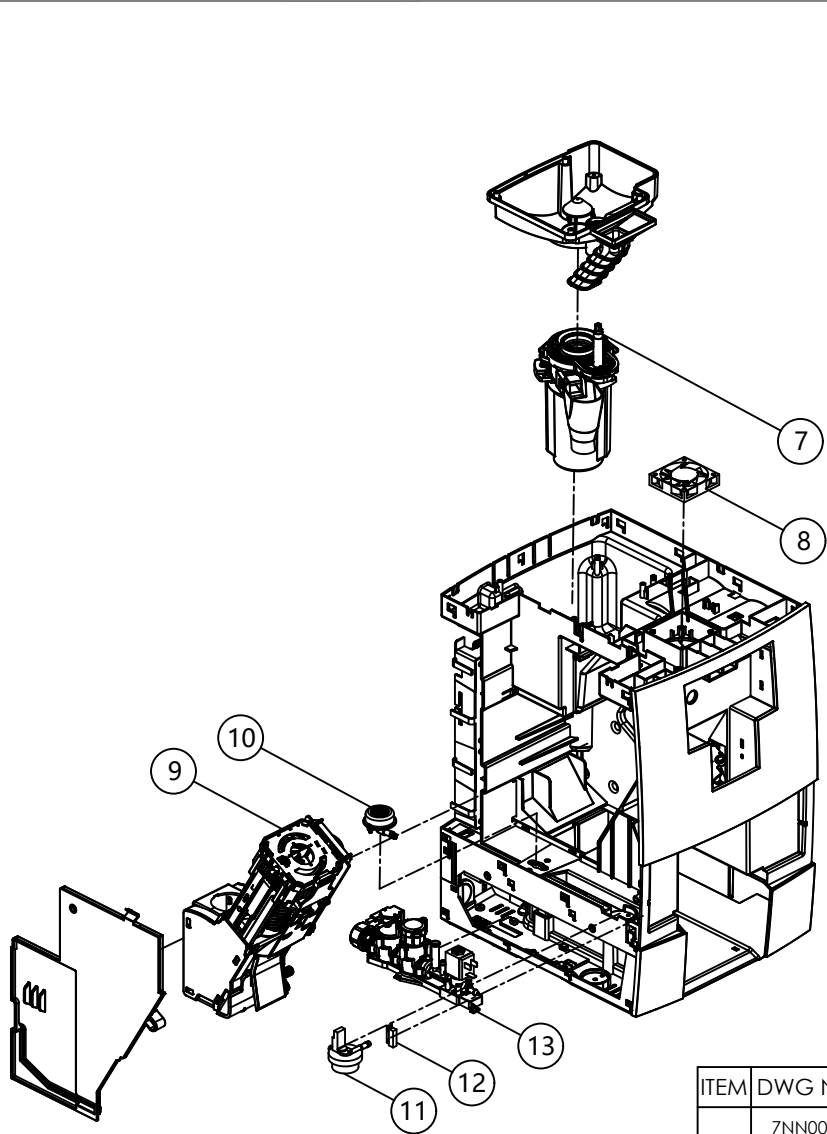


# Content

Appearance group.....	.01
Body holder.....	.02
Water tank group.....	.03
Front pannel assembly.....	.04
Drip tray group.....	.05
Brew group.....	.06
Thermoblock assembly.....	.07
Pump group.....	.08
Ginder group.....	.09
Water inlet valve group.....	.10

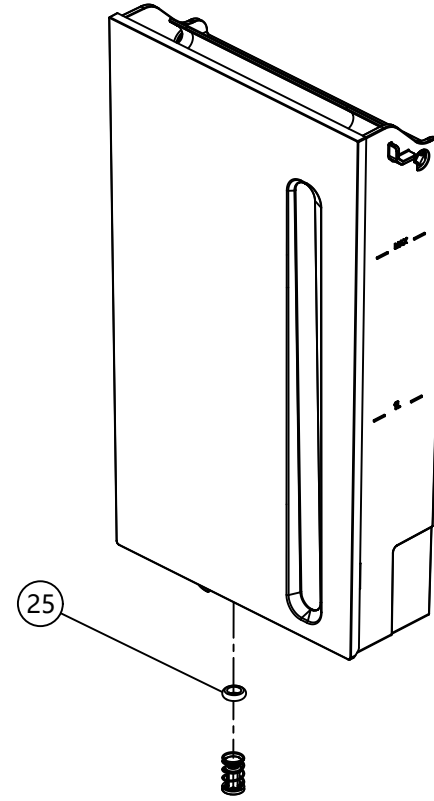
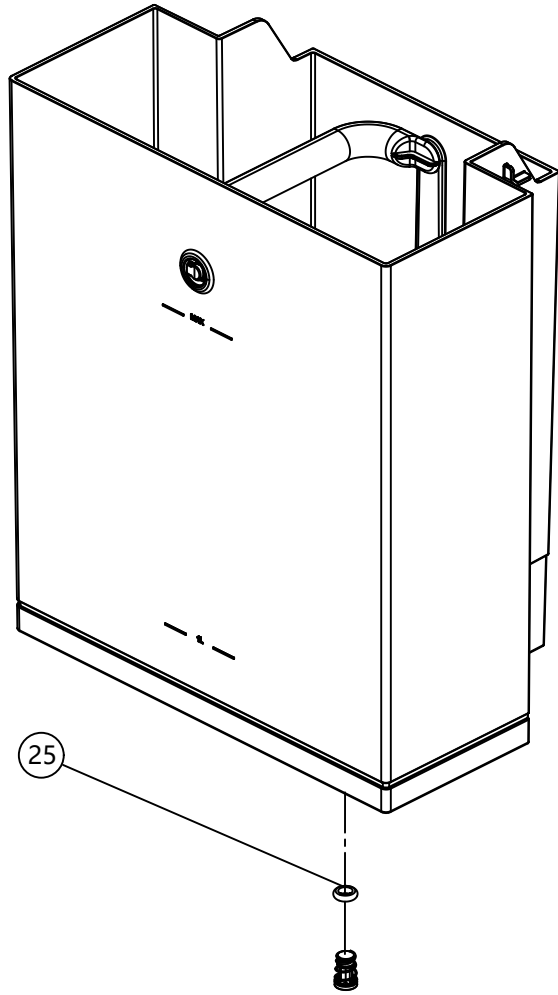


ITEM	DWG NO.	ENGLISH NAME	名称
1	7NN0117	Bean container Group	F11 豆盒组
2	7NN0352	Big water tank group	F11 大水箱组
3	7NN0017	Small water tank group	F11 小水箱组
4	8D10027	Water level detection PCBA	水位检测PCB
5	7NN0005	Front pannel assembly	F11 前面板组
6	7NN0121	Bean container cover	F11 豆盒盖组

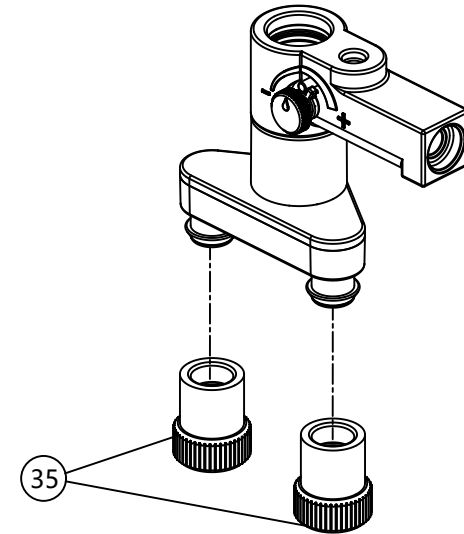
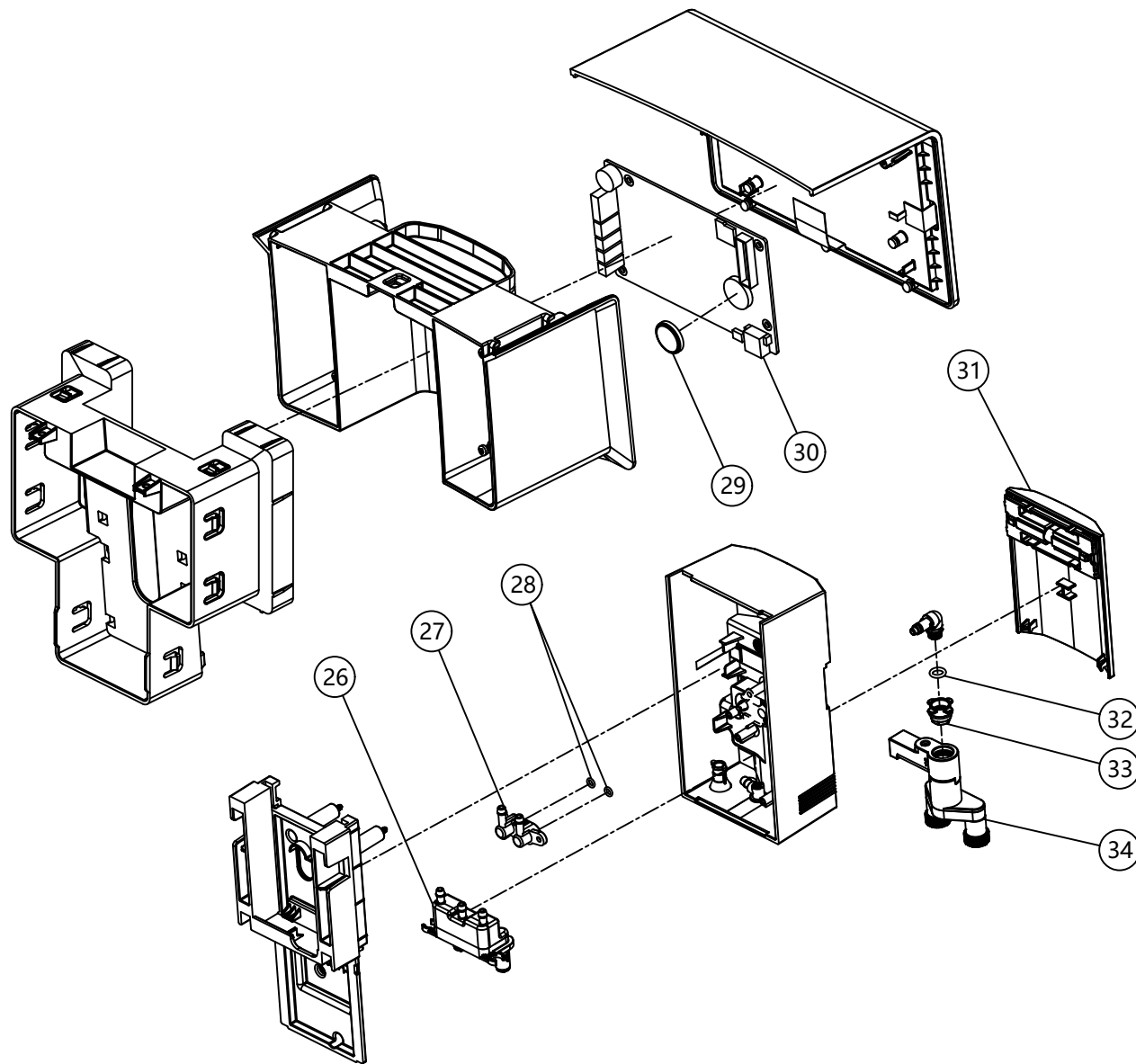


ITEM	DWG NO.	ENGLISH NAME	名称
7	7NN0010	Ginder group(220-240V)	F11磨豆组(220-240V)
	7NN0270	Ginder group(110-120V)	F11磨豆组(110-120V)
8	8D30130	Fan	风扇
9	7NN0008	Brew group	F11冲泡器组
10	7NN0014	Water inlet valve group	F11导水座组
11	8D30017	Flowmeter270° (1.2mm)	流量计270度 (1.2mm)
12	8D30013	Reed switch	干簧管
13	7NN0058	Water inlet assembly	F11自动进水阀组

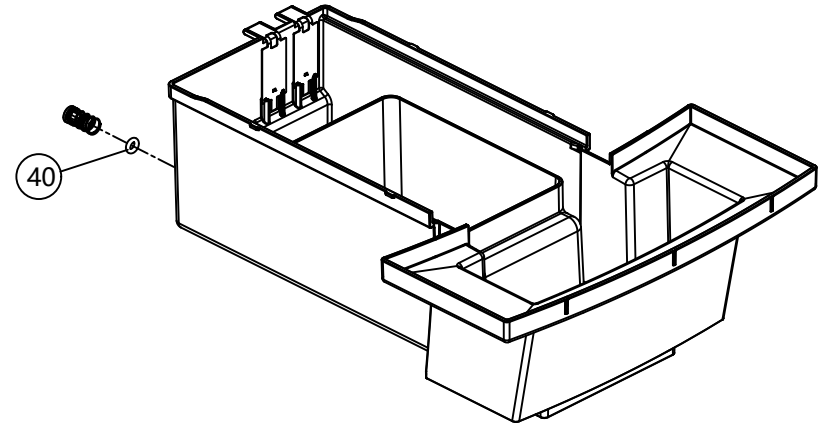
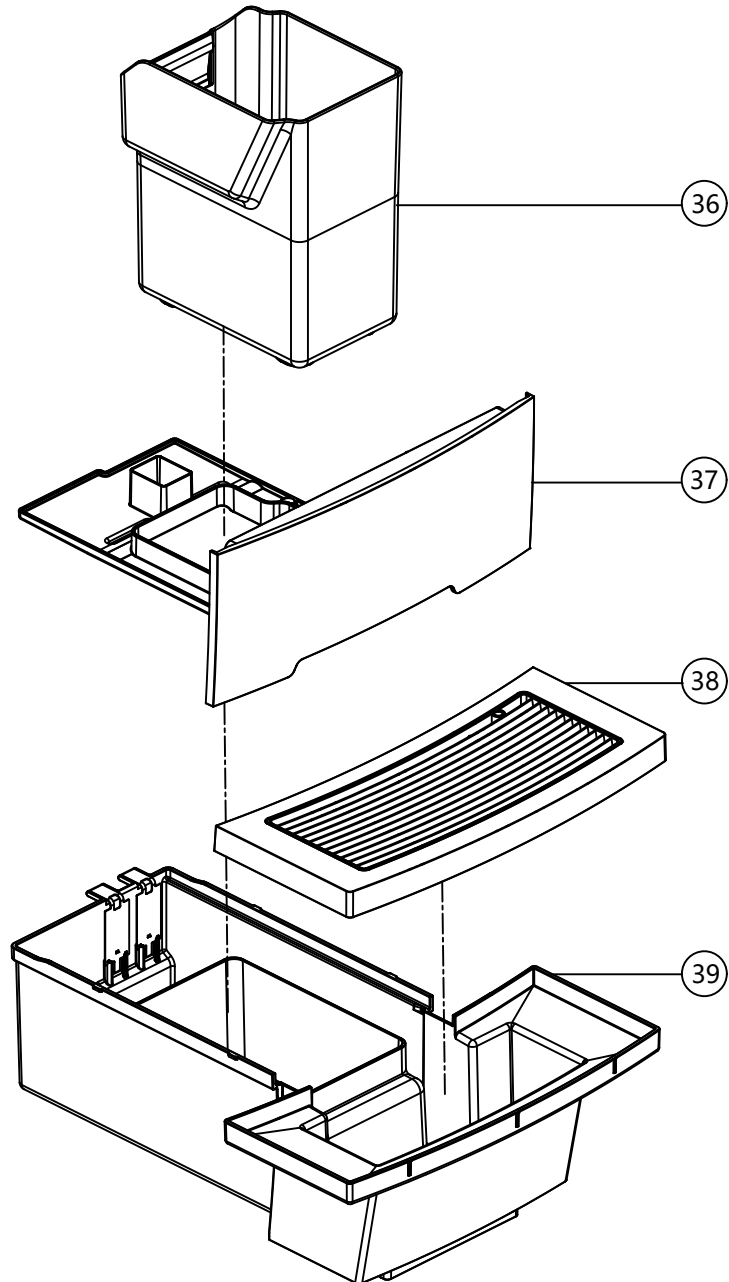
ITEM	DWG NO.	ENGLISH NAME	名称
14	8D10003	Control PCBA	F11主控板
	8D10003V1	Control PCBA	F11主控板
15	8D10004R4	Power PCBA(220-240V)	F11电源板(220-240V)
	8D10029	Power PCBA(110-120V)	F11电源板(110-120V)
16	7NN0007	Thermoblock assembly(220-240V)	F11电热盘组(220-240V)
	7NN0269	Thermoblock assembly(110-120V)	F11电热盘组(110-120V)
17	8D30016	Transfomer(220-240V)	F11变压器(220-240V)
	8D30108	Transfomer(120V)	F11变压器(120V)
	8D30119	Transfomer(110V)	F11变压器(110V)
18	7NN0115	Brew motor group	F11传动组
19	8D30014	Stepmotor	泄压步进电机
20	7NN0009	Dispenser valve 3W	蓄压阀组
21	7NN0202	Air inlet valve assembly	鸭嘴阀组
22	8S10144	Fitting	三通转接头
23	7NN0011	Switch valve assembly	F11分向阀组
24	8S10136	Fitting	分向阀转接头



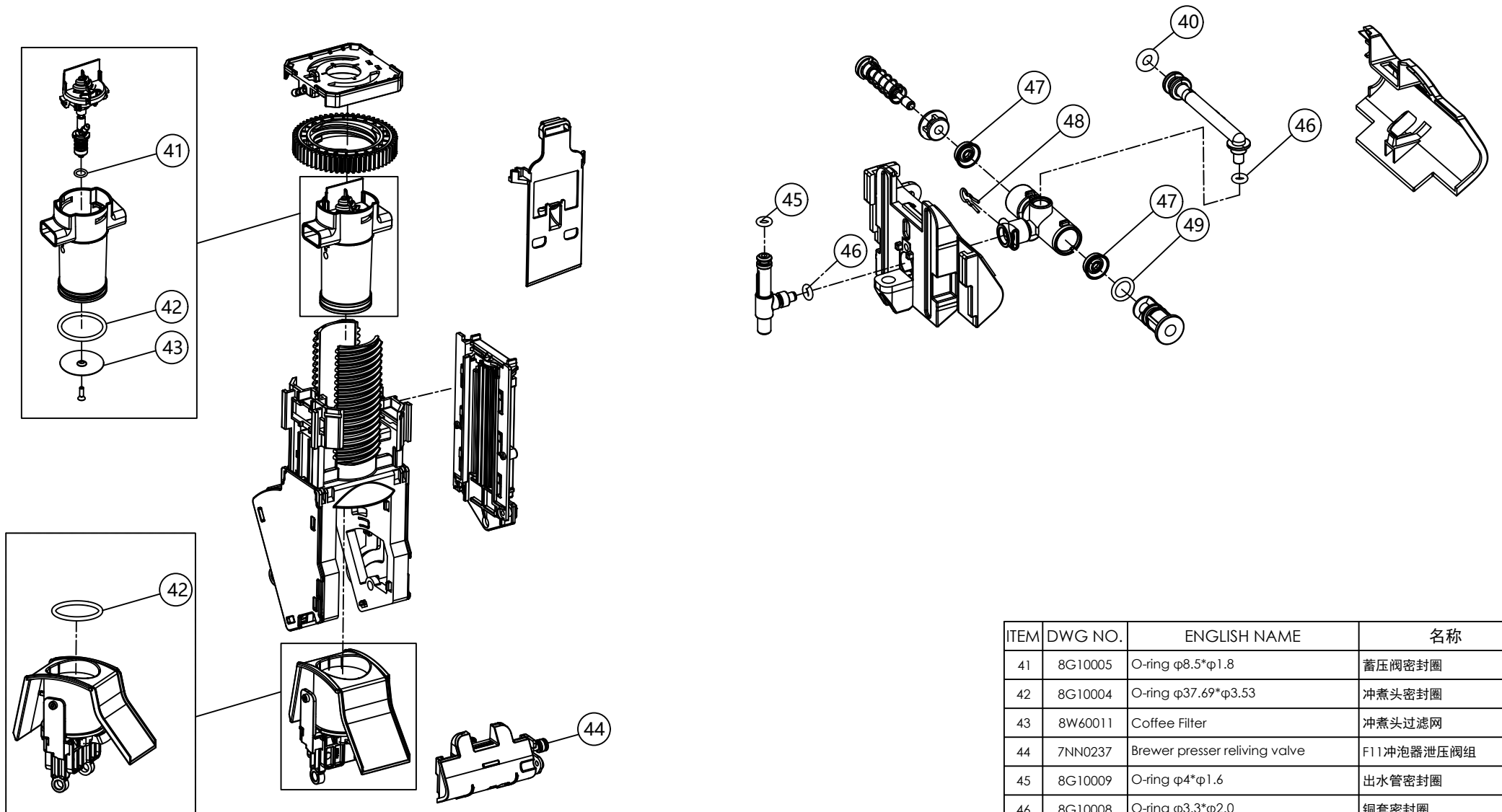
ITEM	DWG NO.	ENGLISH NAME	名称
25	8G10021	O-ring $\phi 5.0 \times \phi 3.75$	大小水箱止逆阀密封圈



ITEM	DWG NO.	ENGLISH NAME	名称
26	8S10333	Coffee outlet	咖啡出口
27	8S10043	Steamer fitting	蒸汽转接管
28	8G10003	O-ring $\phi 3.6 * \phi 1.2$	分向阀密封圈
29	8D30064	Battery (CR-2032/5BC)	纽扣电池
30	8D10002	HMI PCBA	HMI板
31	7NN0125	Coffee outlet cover group	咖啡出口盖组
32	8G10002	O-ring $\phi 6 * \phi 2.0$	喷嘴密封圈
33	8S10047	Milk bubble nozzle	蒸汽喷嘴
34	7NN0116	Foamer	奶沫器组
35	8G20035	Foam applicator	奶沫器缓冲嘴

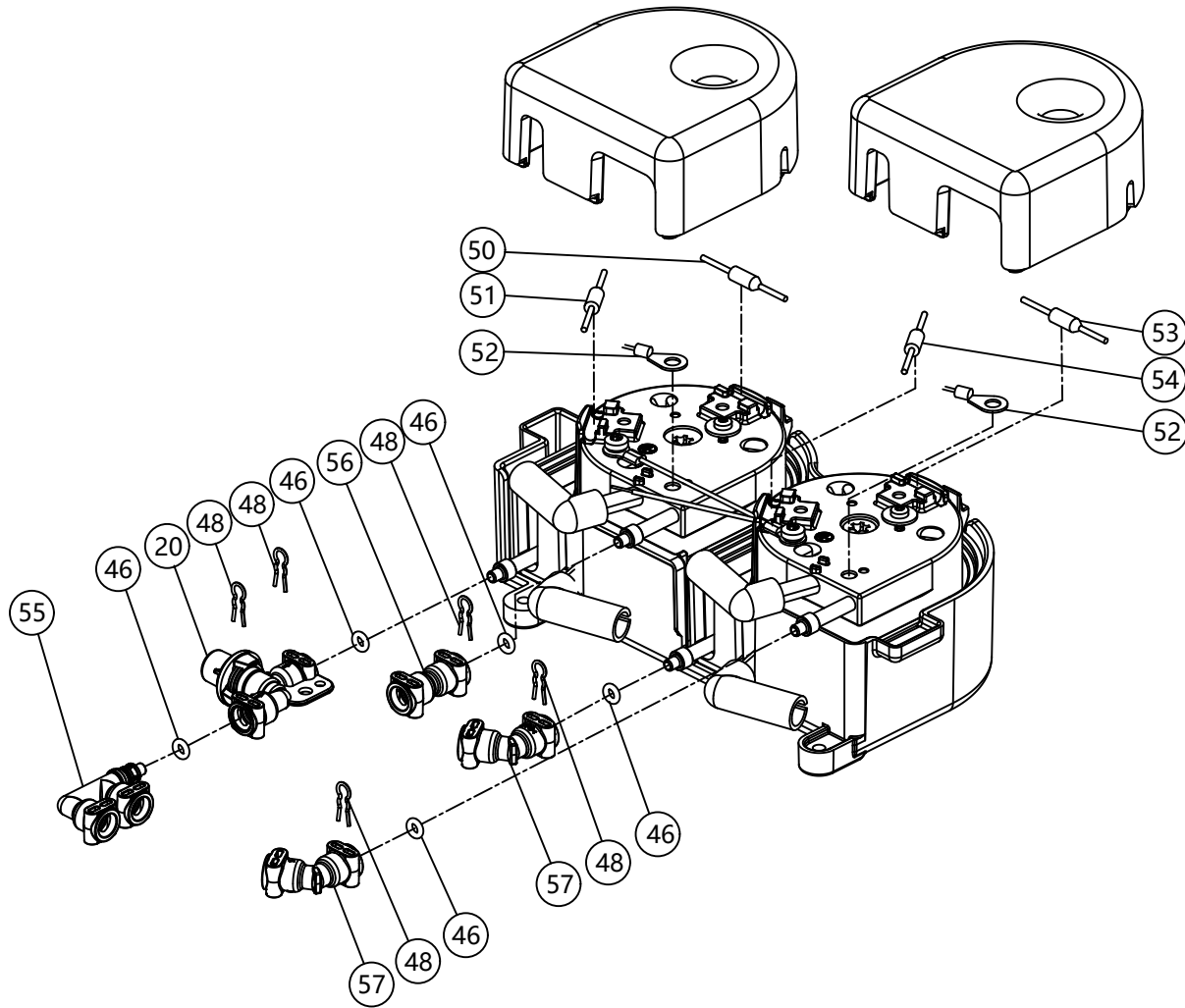


ITEM	DWG NO.	ENGLISH NAME	名称
36	7NN0122	Coffee grounds container	F11 废渣盒
37	7NN0540	Coffee grounds container support(silver)	F11 废渣盒支撑板 (银色)
	7NN0547	Coffee grounds container support(black)	F11 废渣盒支撑板 (黑色)
	7NN0548	Coffee grounds container support(white)	F11 废渣盒支撑板 (白色)
	7NN0549	Coffee grounds container support(wine red)	F11 废渣盒支撑板 (酒红色)
38	7NN0124	Drip tray grill assembly	F11 蓄水盘盖组
39	7NN0261	Drip tray	F11 蓄水盘
40	8G10001	O-ring $\phi 5.0 \times \phi 3.0$	水箱止逆阀密封圈

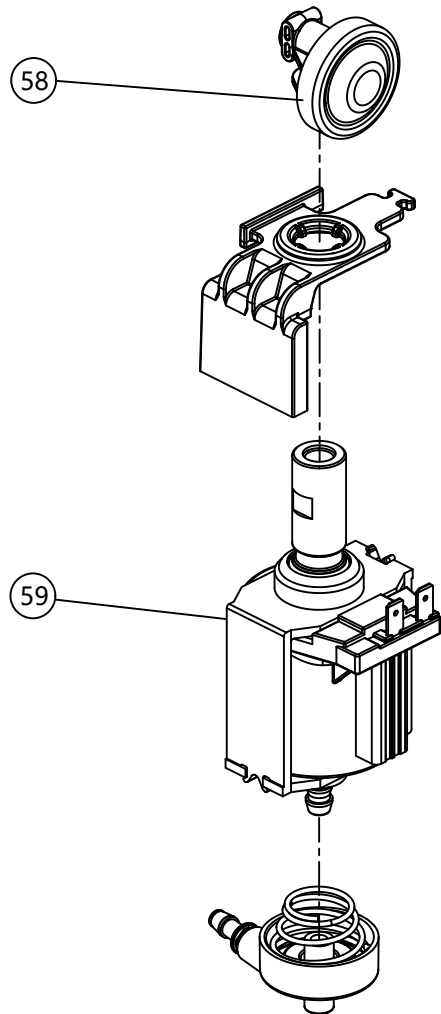


ITEM	DWG NO.	ENGLISH NAME	名称
41	8G10005	O-ring $\phi 8.5 \times \phi 1.8$	蓄压阀密封圈
42	8G10004	O-ring $\phi 37.69 \times \phi 3.53$	冲煮头密封圈
43	8W60011	Coffee Filter	冲煮头过滤网
44	7NN0237	Brewer presser reliving valve	F11冲泡器泄压阀组
45	8G10009	O-ring $\phi 4 \times \phi 1.6$	出水管密封圈
46	8G10008	O-ring $\phi 3.3 \times \phi 2.0$	铜套密封圈
47	8G20007	Y-ring $\phi 12.20 \times \phi 3.65$	泄压阀Y型密封圈
48	8W50023	Spring clip	通用弹簧夹
49	8G10007	O-ring $\phi 8 \times \phi 1.8$	泄水管密封圈
40	8G10001	O-ring $\phi 5.0 \times \phi 3.0$	水箱止逆阀密封圈

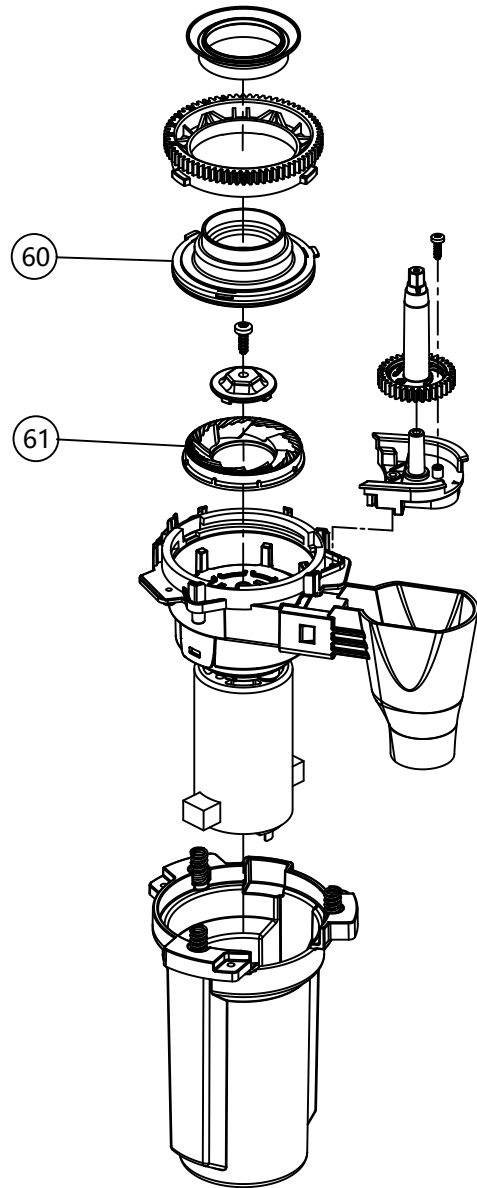




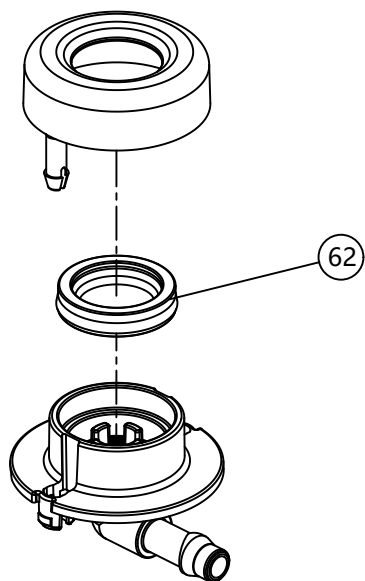
ITEM	DWG NO.	ENGLISH NAME	名称
50	8D20009	Coffee fused-cord-L(220-240V)	咖啡电热盘火线(220-240V)
	8D20188	Coffee fused-cord-L(110-120V)	咖啡电热盘火线(110-120V)
51	8D20010	Coffee fused-cord-N(220-240V)	咖啡电热盘零线(220-240V)
	8D20189	Coffee fused-cord-N(110-120V)	咖啡电热盘零线(110-120V)
52	8D30004	Temperature Sensor	电热盘NTC
53	8D20011	Steam fused-cord-L(220-240V)	蒸汽电热盘火线(220-240V)
	8D20190	Steam fused-cord-L(110-120V)	蒸汽电热盘火线(110-120V)
54	8D20012	Steam fused-cord-N(220-240V)	蒸汽电热盘零线(220-240V)
	8D20191	Steam fused-cord-N(110-120V)	蒸汽电热盘零线(110-120V)
55	8S10059	Fitting	F型接头
46	8G10008	O-ring $\phi 3.3 \times \phi 2.0$	铜套密封圈
20	7NN0009	Dispenser valve 3W	蓄压阀组
48	8W50023	Spring clip	通用弹簧夹
56	8S10058	Fitting	直通接头
57	8S10428	Fitting	120度两通接头



ITEM	DWG NO.	ENGLISH NAME	名称
58	7NN0012	Membrane controller group	稳压阀组
59	8D30051	Pump (220-240V 50Hz)	水泵 (220-240V 50Hz)
	8D30052	Pump (220-240V 60Hz)	水泵 (220-240V 60Hz)
	8D30109	Pump (110-120V 60Hz)	水泵 (110-120V 60Hz)



ITEM	DWG NO.	ENGLISH NAME	名称
60	7NN0119	Upper grinder burr assembly	上刀盘组
61	8T10003	Grinder burr	磨豆刀



ITEM	DWG NO.	ENGLISH NAME	名称
62	8G20014	Y-ring $\phi 22.67 * \phi 13.90$	导水座Y型密封圈