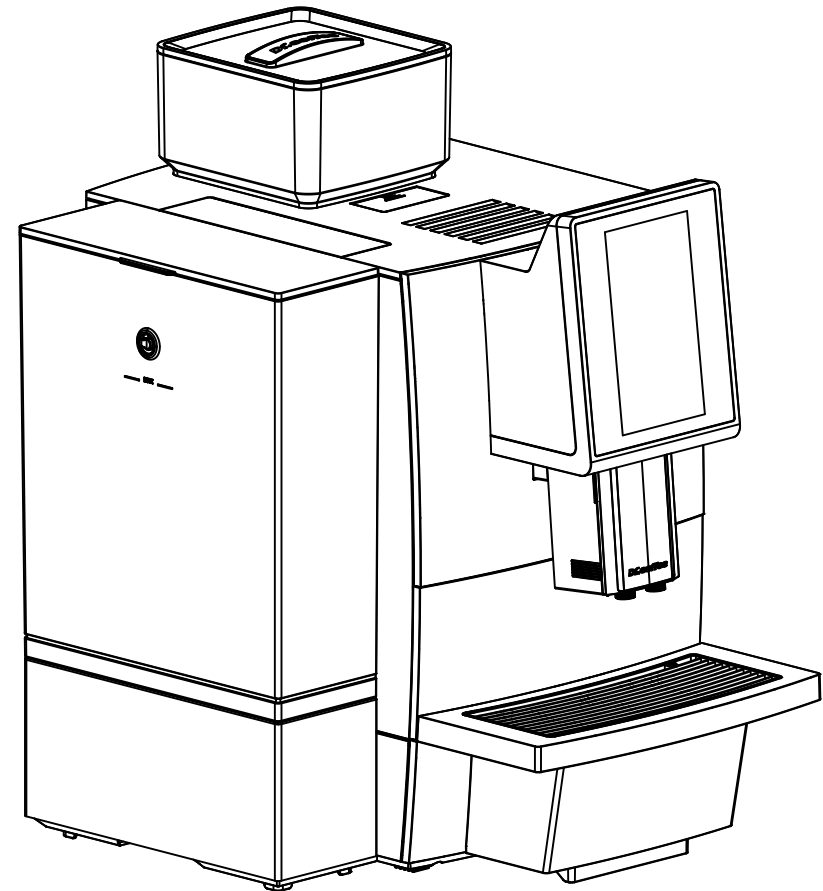


F12

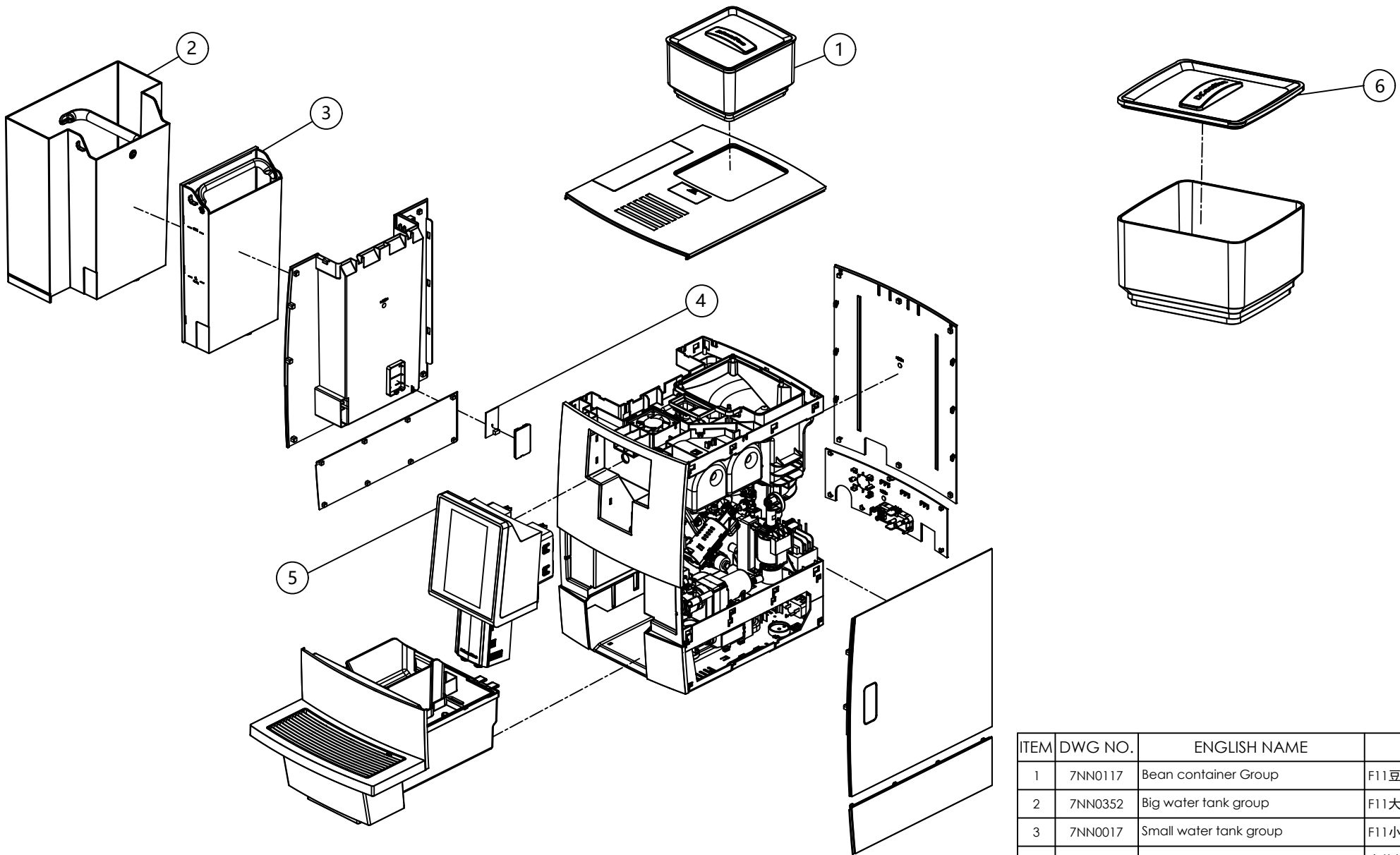
Explosive view

ISSUE: 02

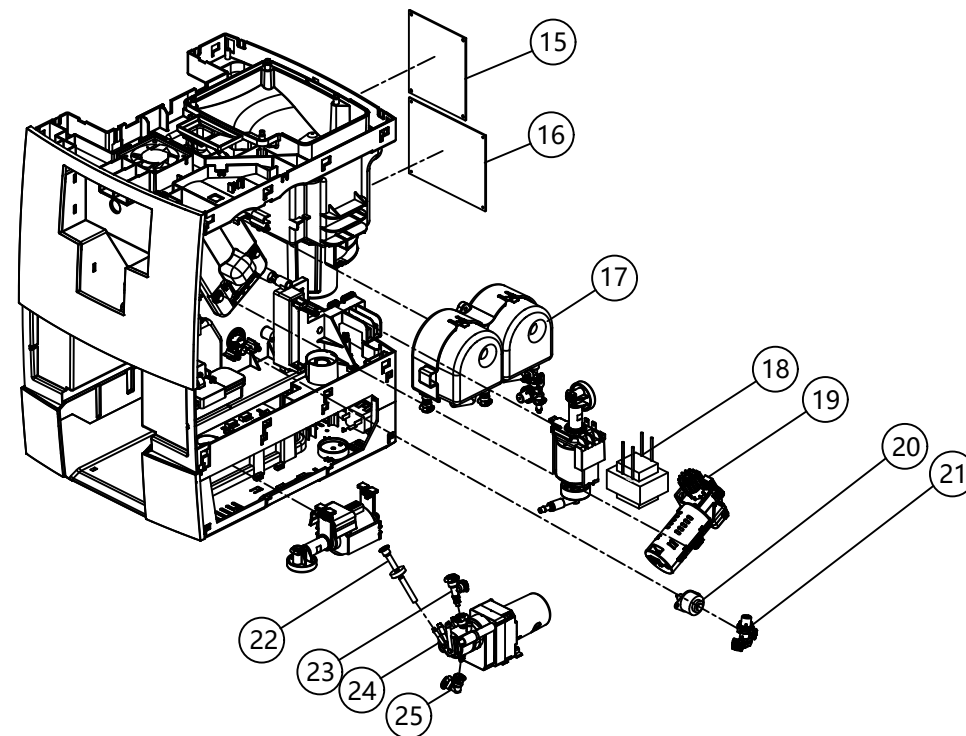
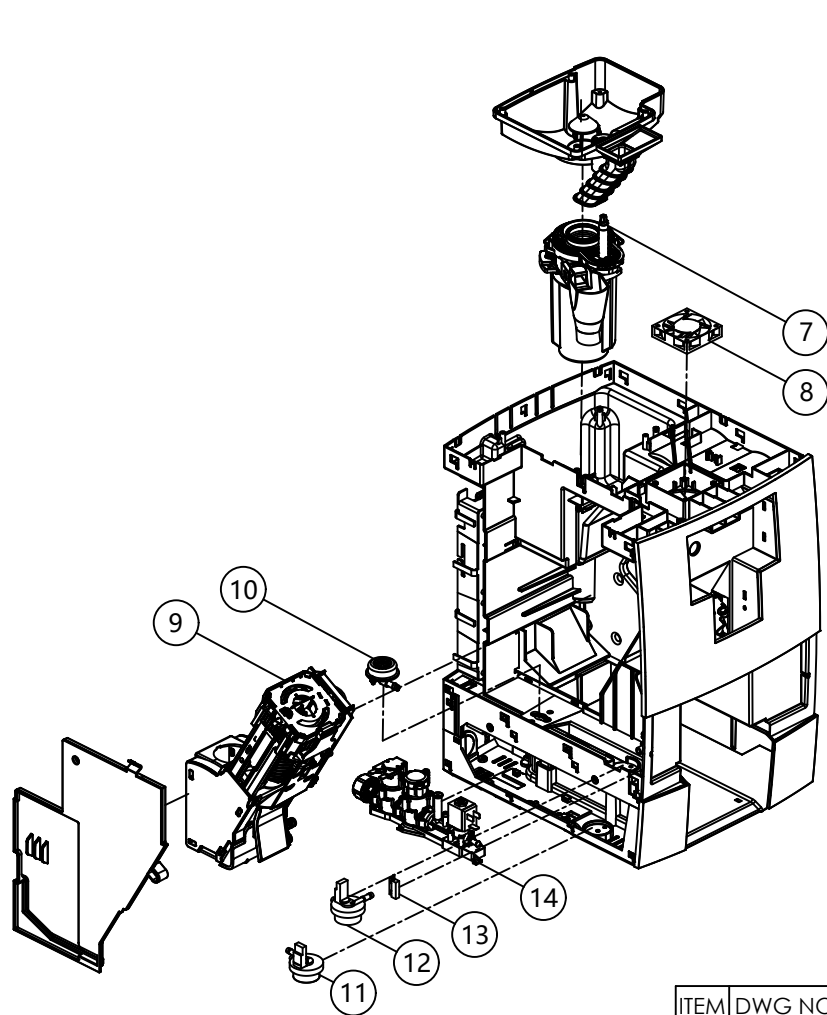


Content

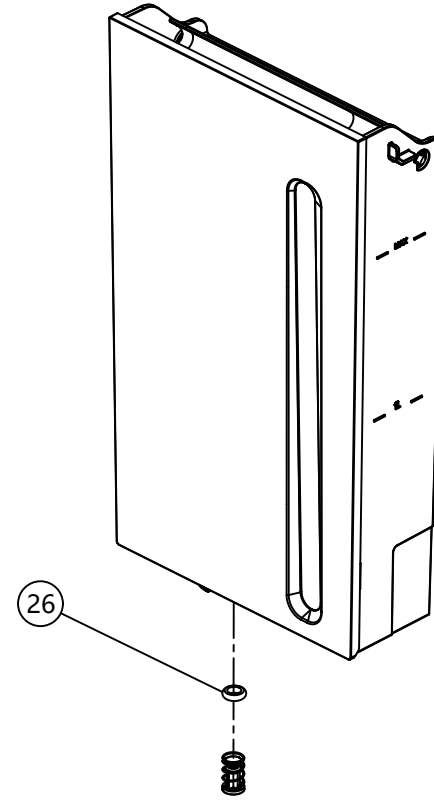
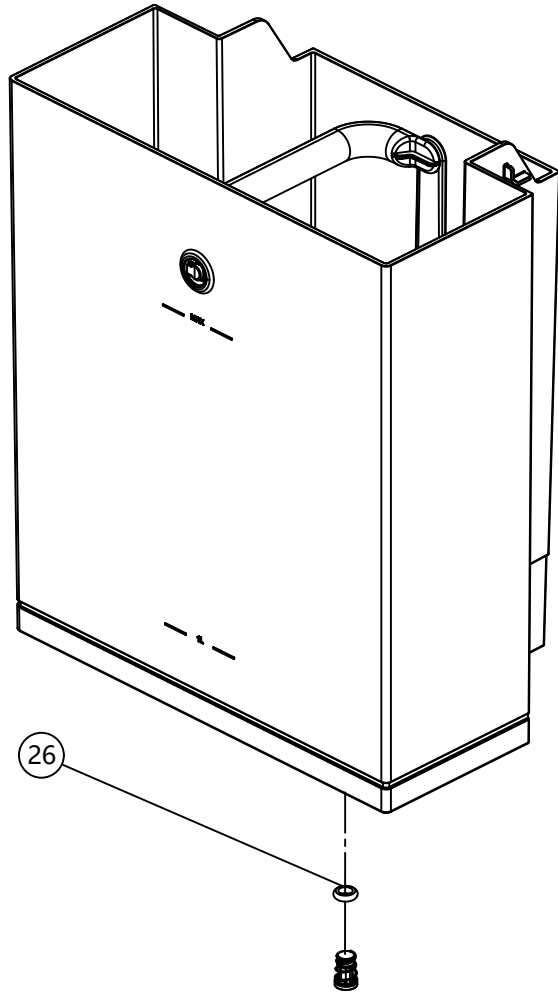
| | |
|------------------------------|-----|
| Appearance group..... | .01 |
| Body holder..... | .02 |
| Water tank group..... | .03 |
| Front pannel assembly..... | .04 |
| Drip tray group..... | .05 |
| Brew group..... | .06 |
| Thermoblock assembly..... | .07 |
| Pump group..... | .08 |
| Ginder group..... | .09 |
| Water inlet valve group..... | .10 |



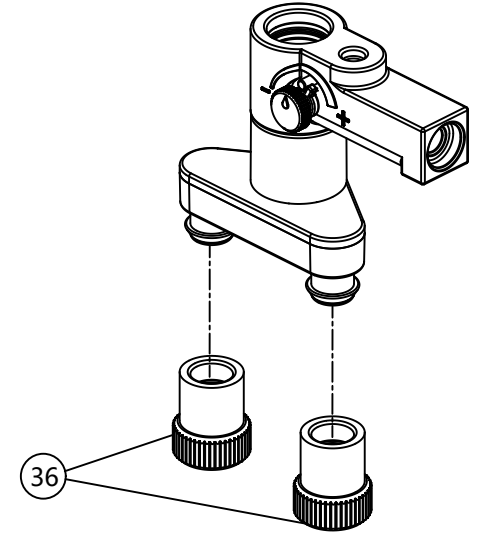
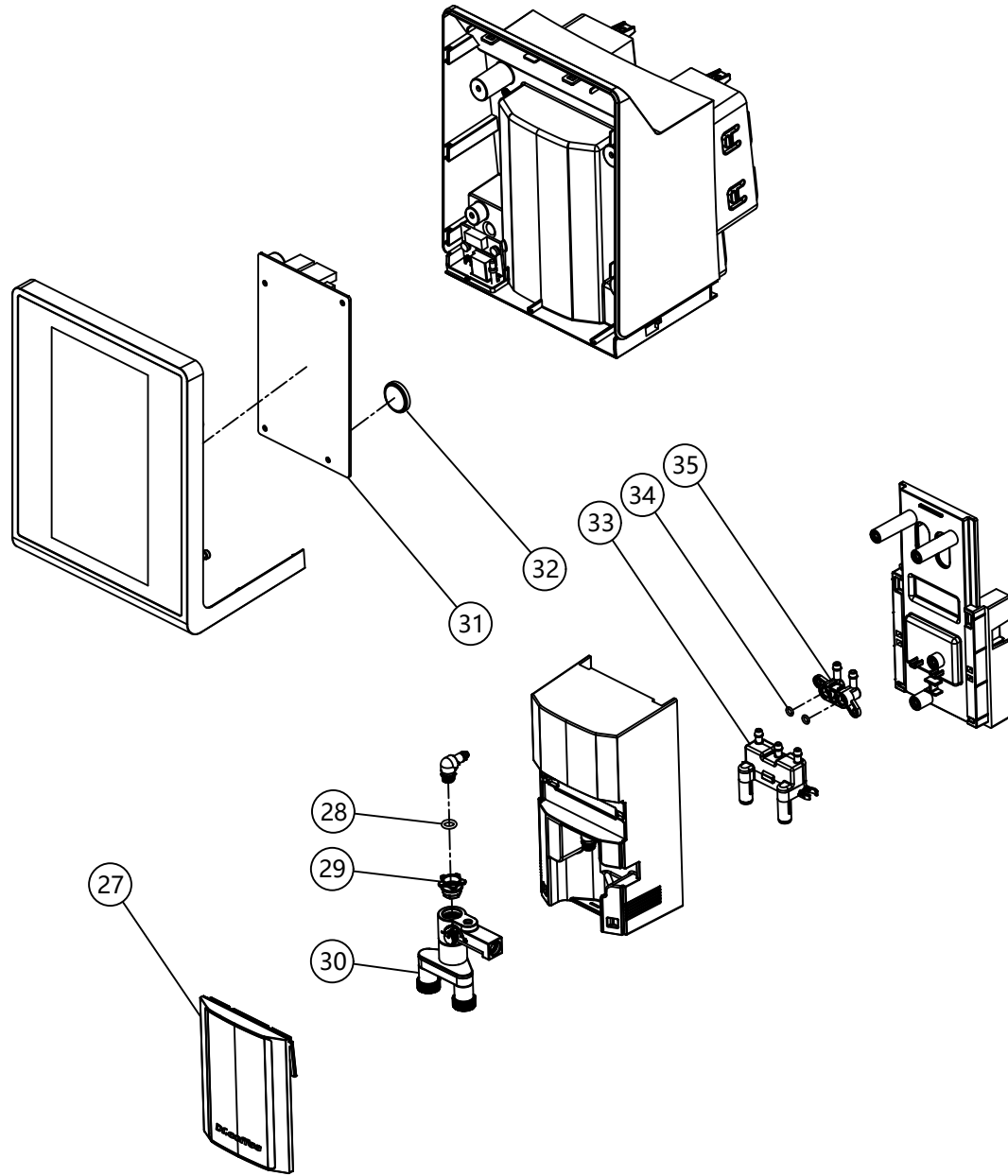
| ITEM | DWG NO. | ENGLISH NAME | 名称 |
|------|---------|----------------------------|----------|
| 1 | 7NN0117 | Bean container Group | F11 豆盒组 |
| 2 | 7NN0352 | Big water tank group | F11 大水箱组 |
| 3 | 7NN0017 | Small water tank group | F11 小水箱组 |
| 4 | 8D10027 | Water level detection PCBA | 水位检测PCB |
| 5 | 7NN0131 | Front pannel assembly | F12 前面板组 |
| 6 | 7NN0121 | Bean container cover | F11 豆盒盖组 |



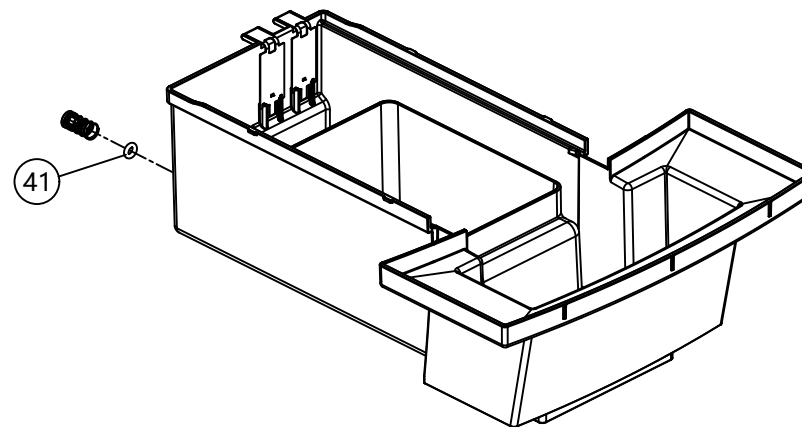
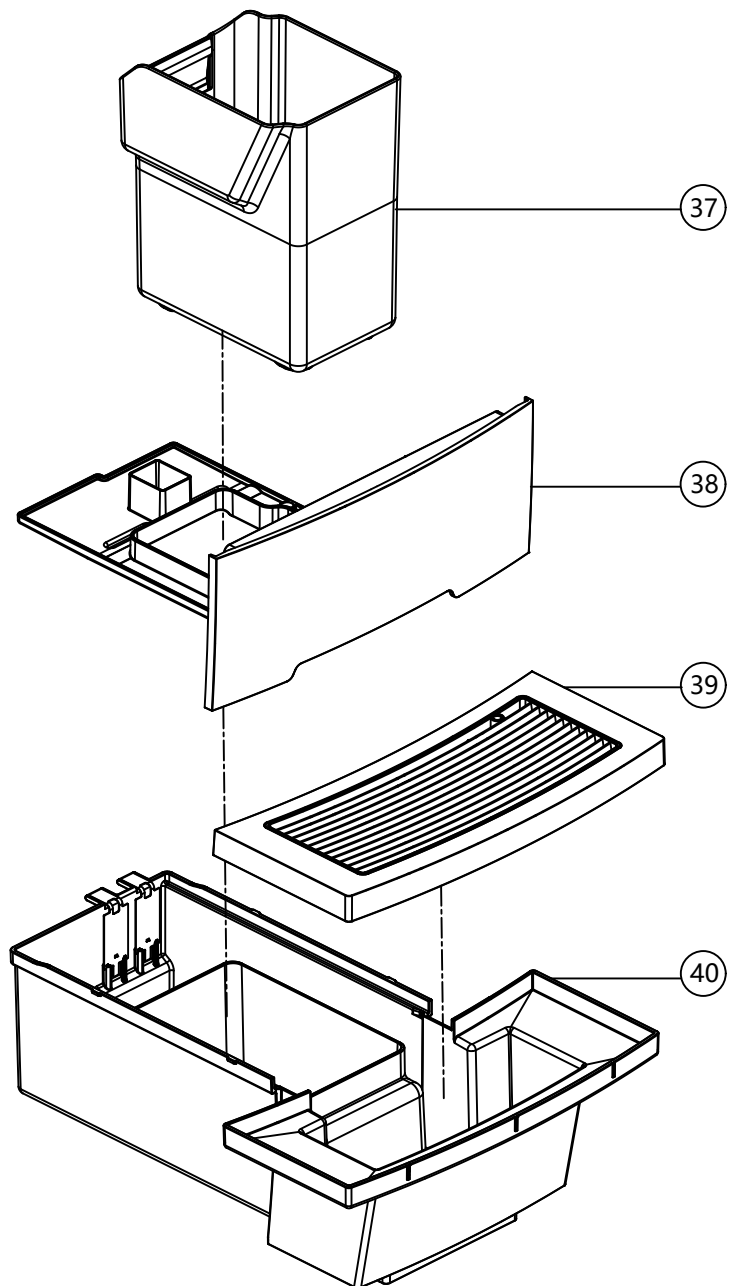
| ITEM | DWG NO. | ENGLISH NAME | 名称 |
|------|-----------|--------------------------|-----------------|
| 7 | 7NN0010 | Ginder group | F11磨豆组 |
| 8 | 8D30130 | Fan | 风扇 |
| 9 | 7NN0008 | Brew group | F11冲泡器组 |
| 10 | 7NN0014 | Water inlet valve group | F11导水座组 |
| 11 | 8D30065 | Flowmeter 0° (1.2mm) | 流量计0度 (1.2mm) |
| 12 | 8D30017 | Flowmeter 270° (1.2mm) | 流量计270度 (1.2mm) |
| 13 | 8D30013 | Reed switch | 干簧管 |
| 14 | 7NN0231 | Water inlet assembly | F12自动进水阀组 |
| 15 | 8D10003 | Control PCBA | F11主控板 |
| 16 | 8D10004R4 | Power PCBA | F11电源板 |
| 17 | 7NN0132 | Thermoblock assembly | F12电热盘组 |
| 18 | 8D30130 | Transfomer | F11变压器 |
| 19 | 7NN0115 | Brew motor group | F11传动组 |
| 20 | 8D30014 | Stepmotor | 泄压步进电机 |
| 21 | 7NN0009 | Dispenser valve 3W | 两通蓄压阀组-3bar |
| 22 | 7NN0202 | Air inlet valve assembly | 鸭嘴阀组 |
| 23 | 8S10144 | Fitting | 三通转接头 |
| 24 | 7NN0062 | Switch valve assembly | F12分向阀组 |
| 25 | 8S10136 | Fitting | 分向阀转接头 |



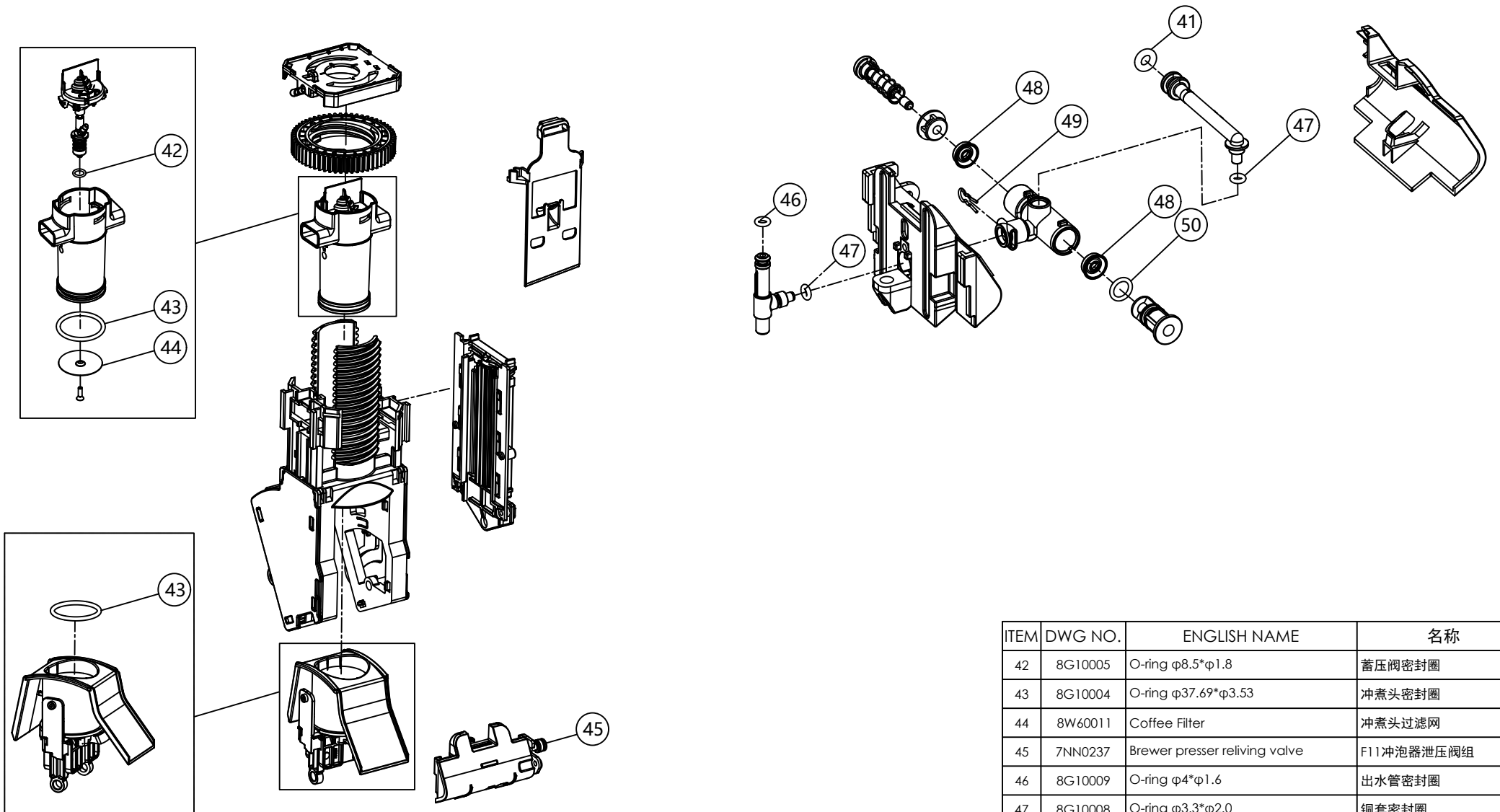
| ITEM | DWG NO. | ENGLISH NAME | 名称 |
|------|---------|------------------------------------|------------|
| 26 | 8G10021 | O-ring $\phi 5.0 \times \phi 3.75$ | 大小水箱止逆阀密封圈 |



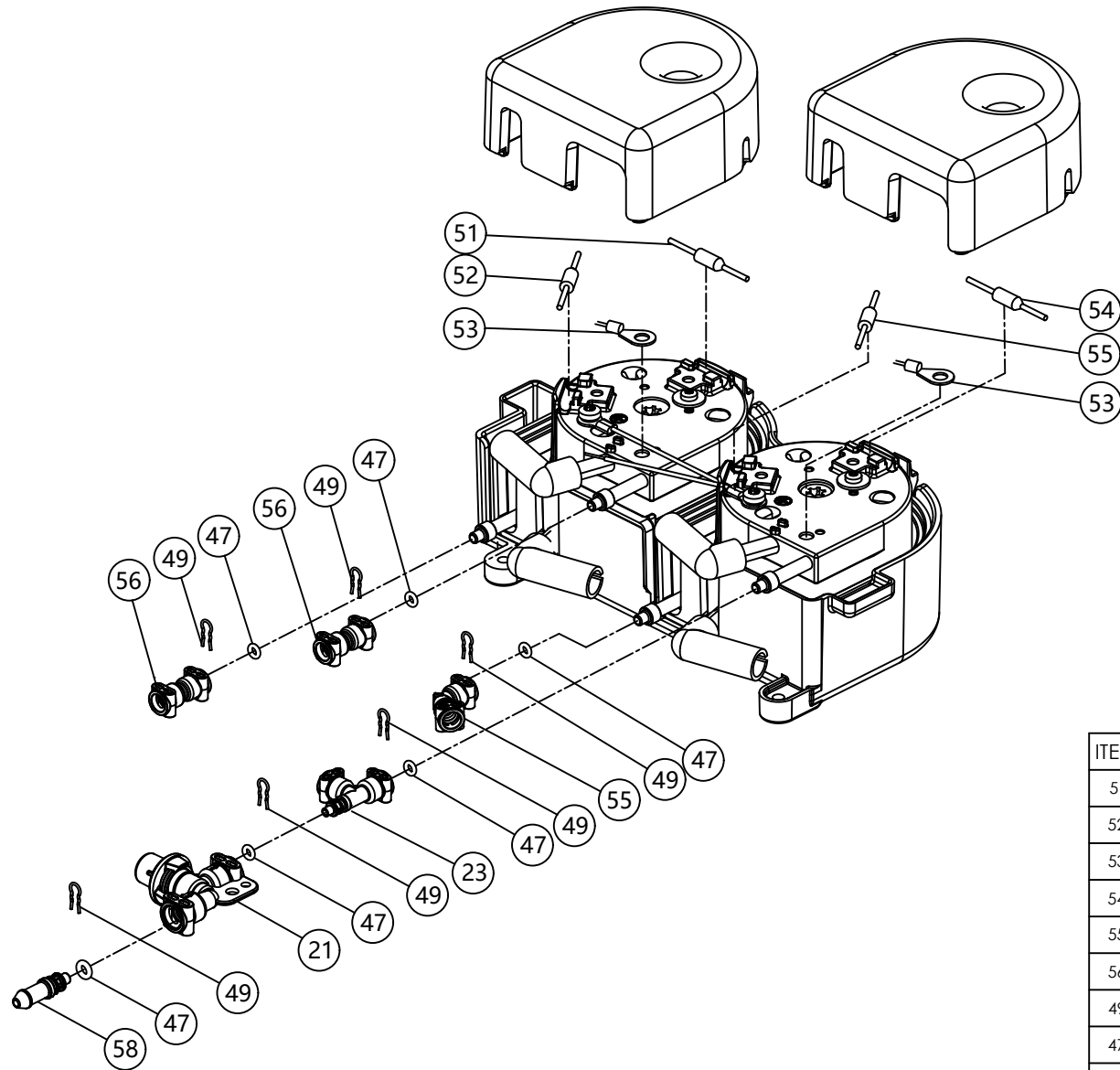
| ITEM | DWG NO. | ENGLISH NAME | 名称 |
|------|---------|-----------------------------------|-------------|
| 27 | 7NN0125 | Coffee outlet cover group | 咖啡出口盖组 |
| 28 | 8G10002 | O-ring $\phi 6 \times \phi 2.0$ | 喷嘴密封圈 |
| 29 | 8S10047 | Milk bubble nozzle | 蒸汽喷嘴 |
| 30 | 7NN0116 | Foamer | 奶沫器组 |
| 31 | 8D10010 | HMI PCBA | F12(M) HMI板 |
| 32 | 8D30064 | Battery (CR-2032/5BC) | 纽扣电池 |
| 33 | 8S10333 | Coffee outlet | 咖啡出口 |
| 34 | 8G10003 | O-ring $\phi 3.6 \times \phi 1.2$ | 分向阀密封圈 |
| 35 | 8S10043 | Steamer fitting | 蒸汽转接管 |
| 36 | 8G20035 | Foam applicator | 奶沫器缓冲嘴 |



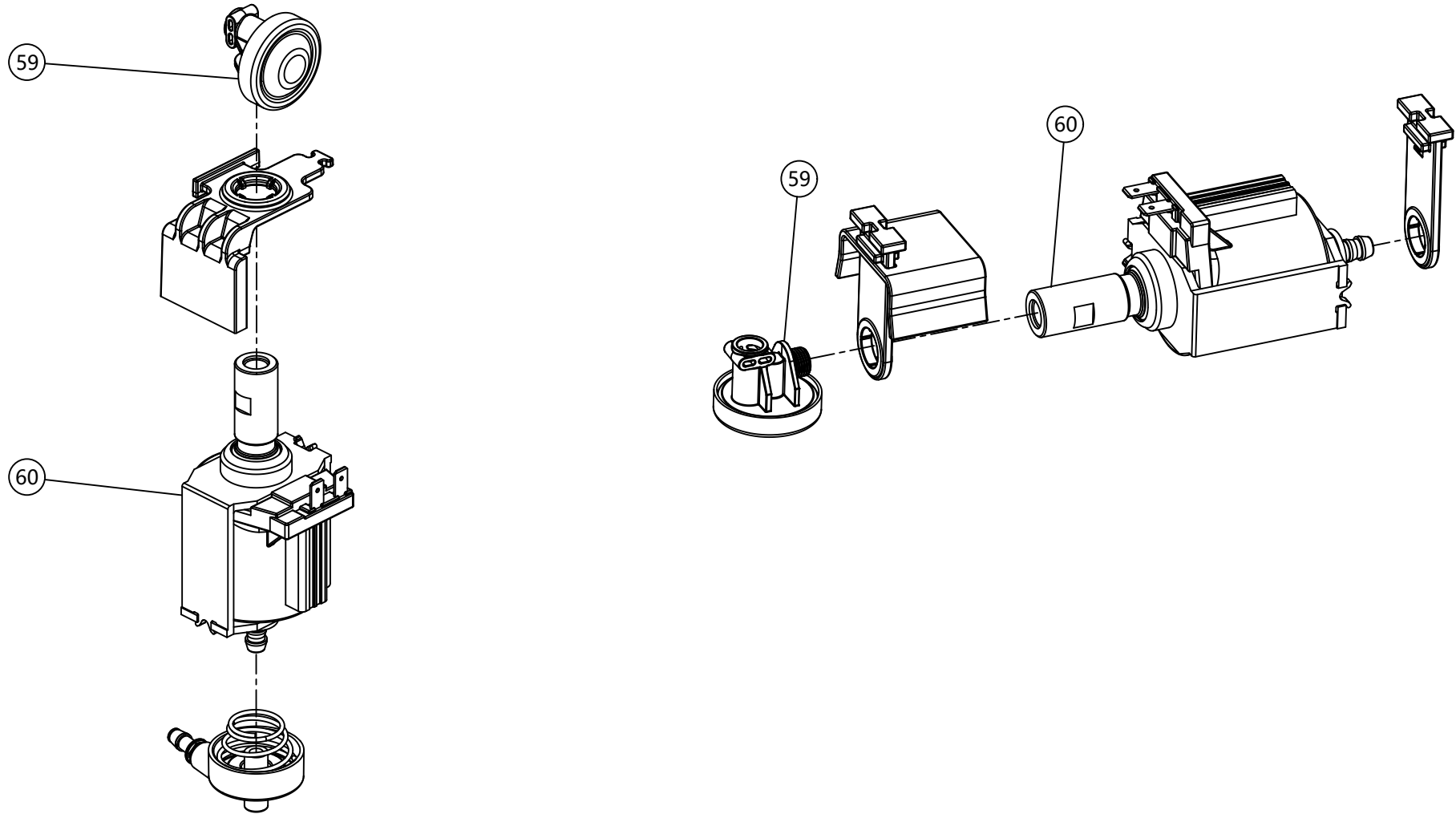
| ITEM | DWG NO. | ENGLISH NAME | 名称 |
|------|---------|--|------------------|
| 37 | 7NN0122 | Coffee grounds container | F11 废渣盒 |
| 38 | 7NN0540 | Coffee grounds container support(silver) | F11 废渣盒支撑板 (银色) |
| | 7NN0547 | Coffee grounds container support(black) | F11 废渣盒支撑板 (黑色) |
| | 7NN0548 | Coffee grounds container support(white) | F11 废渣盒支撑板 (白色) |
| | 7NN0549 | Coffee grounds container support(wine red) | F11 废渣盒支撑板 (酒红色) |
| 39 | 7NN0124 | Drip tray grill assembly | F11 蓄水盘盖组 |
| 40 | 7NN0261 | Drip tray | F11 蓄水盘 |
| 41 | 8G10001 | O-ring $\phi 5.0 \times \phi 3.0$ | 水箱止逆阀密封圈 |



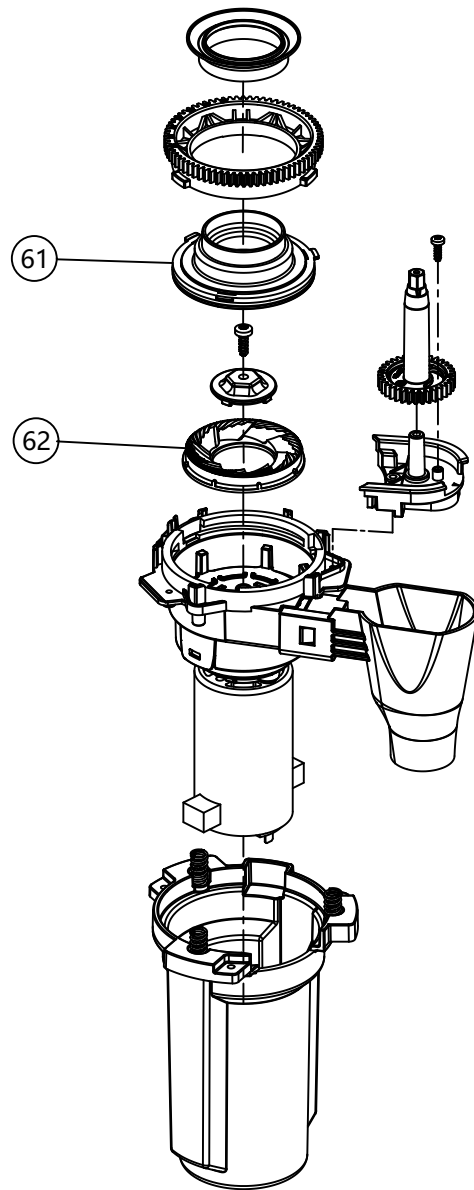
| ITEM | DWG NO. | ENGLISH NAME | 名称 |
|------|---------|--------------------------------------|------------|
| 42 | 8G10005 | O-ring $\phi 8.5 \times \phi 1.8$ | 蓄压阀密封圈 |
| 43 | 8G10004 | O-ring $\phi 37.69 \times \phi 3.53$ | 冲煮头密封圈 |
| 44 | 8W60011 | Coffee Filter | 冲煮头过滤网 |
| 45 | 7NN0237 | Brewer presser relieving valve | F11冲泡器泄压阀组 |
| 46 | 8G10009 | O-ring $\phi 4 \times \phi 1.6$ | 出水管密封圈 |
| 47 | 8G10008 | O-ring $\phi 3.3 \times \phi 2.0$ | 铜套密封圈 |
| 48 | 8G20007 | Y-ring $\phi 12.20 \times \phi 3.65$ | 泄压阀Y型密封圈 |
| 49 | 8W50023 | Spring clip | 通用弹簧夹 |
| 50 | 8G10007 | O-ring $\phi 8 \times \phi 1.8$ | 泄水管密封圈 |
| 41 | 8G10001 | O-ring $\phi 5.0 \times \phi 3.0$ | 水箱止逆阀密封圈 |



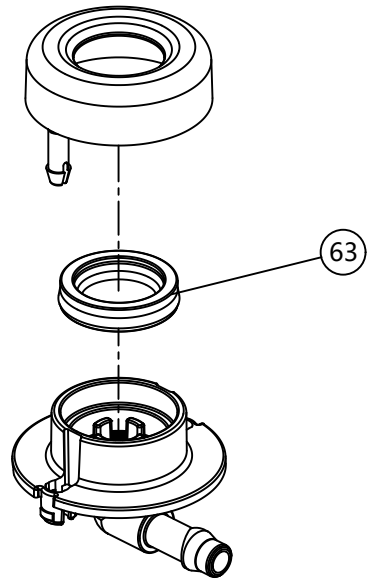
| ITEM | DWG NO. | ENGLISH NAME | 名称 |
|------|---------|-----------------------------------|-------------|
| 51 | 8D20009 | Coffee fused-cord-L | 咖啡电热盘火线 |
| 52 | 8D20010 | Coffee fused-cord-N | 咖啡电热盘零线 |
| 53 | 8D30004 | Temperature Sensor | 电热盘NTC |
| 54 | 8D20011 | Steam fused-cord-L | 蒸汽电热盘火线 |
| 55 | 8D20012 | Steam fused-cord-N | 蒸汽电热盘零线 |
| 56 | 8S10058 | Fitting | 直通接头 |
| 49 | 8W50023 | Spring clip | 通用弹簧夹 |
| 47 | 8G10008 | O-ring $\phi 3.3 \times \phi 2.0$ | 铜套密封圈 |
| 57 | 8S10428 | Fitting | 120度两通接头 |
| 23 | 8S10144 | Fitting | 三通转接头 |
| 21 | 7NN0009 | Dispenser valve 3W | 两通蓄压阀组-3bar |
| 58 | 8S10350 | Hose connector(5*9) | 软管接头 (5*9) |



| ITEM | DWG NO. | ENGLISH NAME | 名称 |
|------|---------|---------------------------|--------------------|
| 59 | 7NN0012 | Membrane controller group | 稳压阀组 |
| 60 | 8D30051 | Pump (220-240V 50Hz) | 水泵 (220-240V 50Hz) |
| | 8D30052 | Pump (220-240V 60Hz) | 水泵 (220-240V 60Hz) |



| ITEM | DWG NO. | ENGLISH NAME | 名称 |
|------|---------|-----------------------------|------|
| 61 | 7NN0119 | Upper grinder burr assembly | 上刀盘组 |
| 62 | 8T10003 | Grinder burr | 磨豆刀 |



| ITEM | DWG NO. | ENGLISH NAME | 名称 |
|------|---------|----------------------------------|----------|
| 63 | 8G20014 | Y-ring $\phi 22.67 * \phi 13.90$ | 导水座Y型密封圈 |