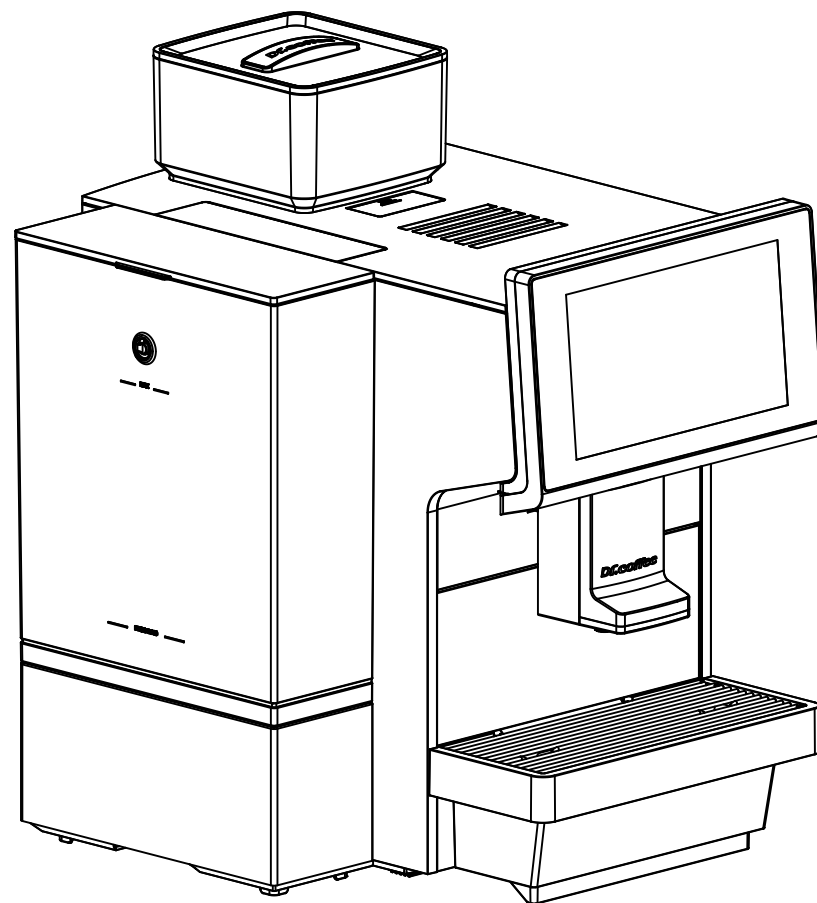


M12

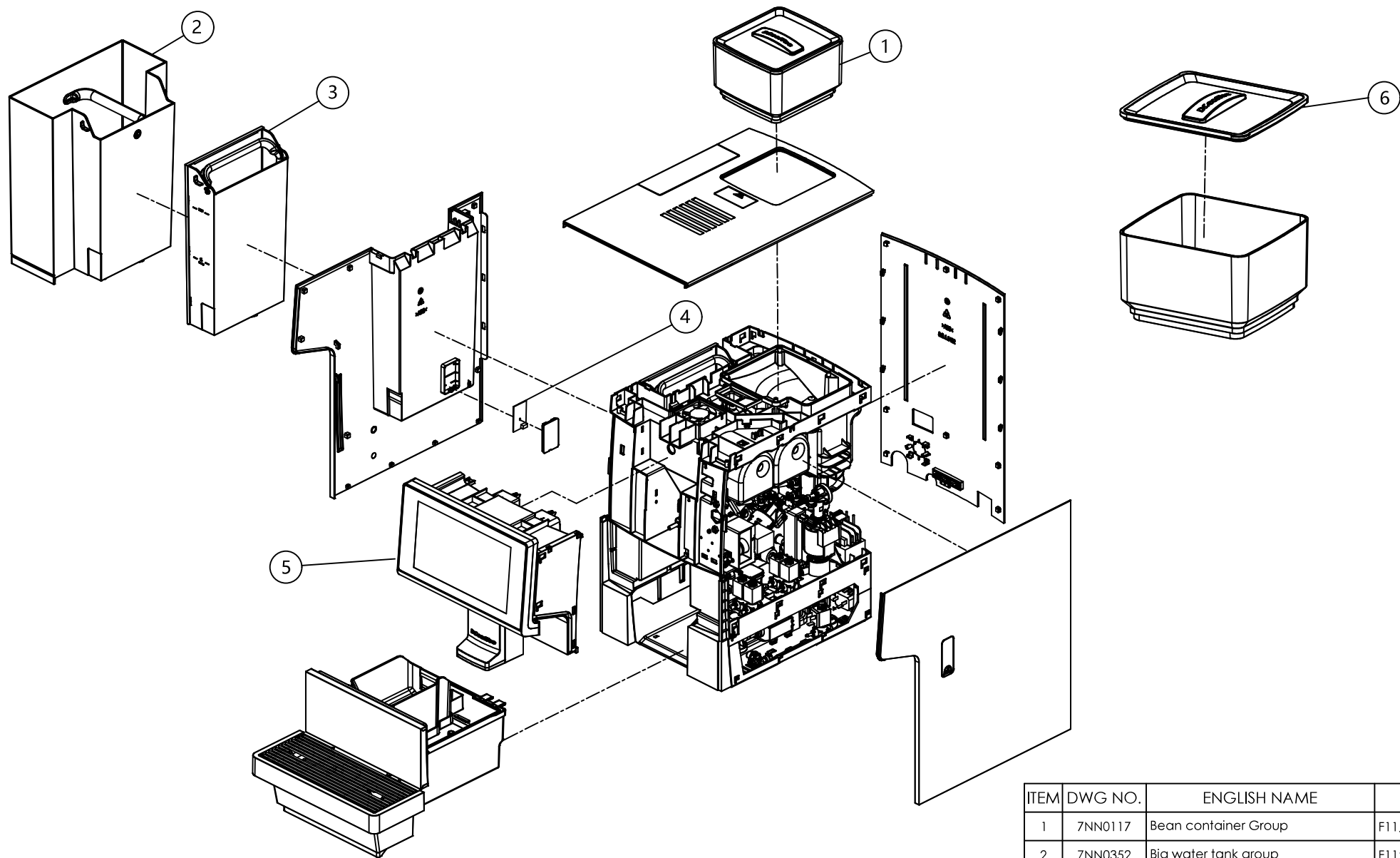
Explosive view

ISSUE: 02

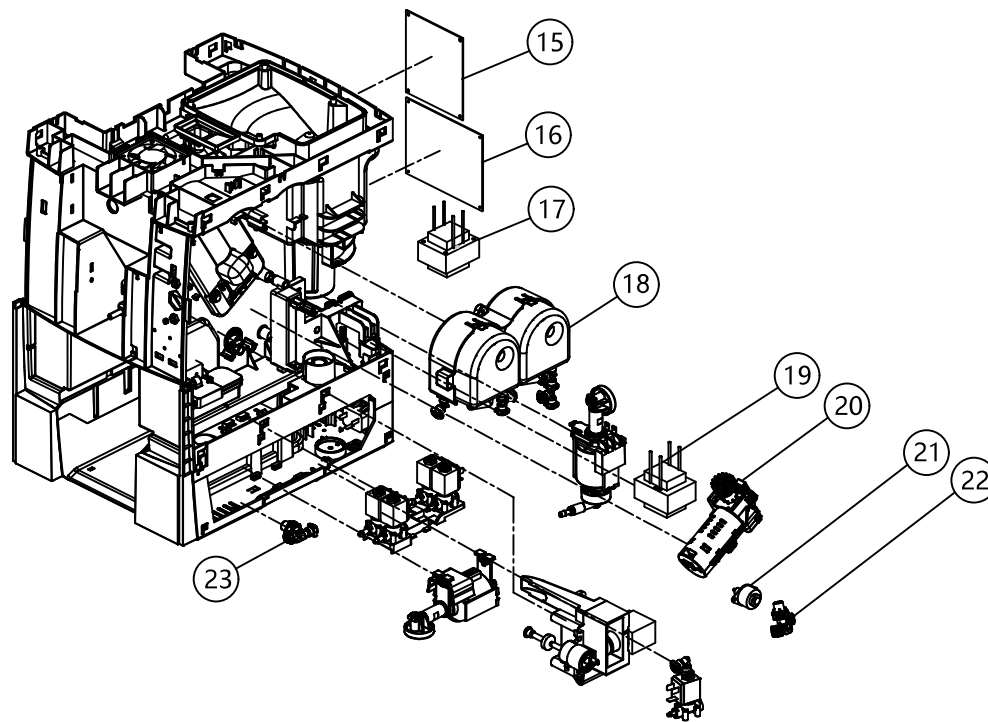
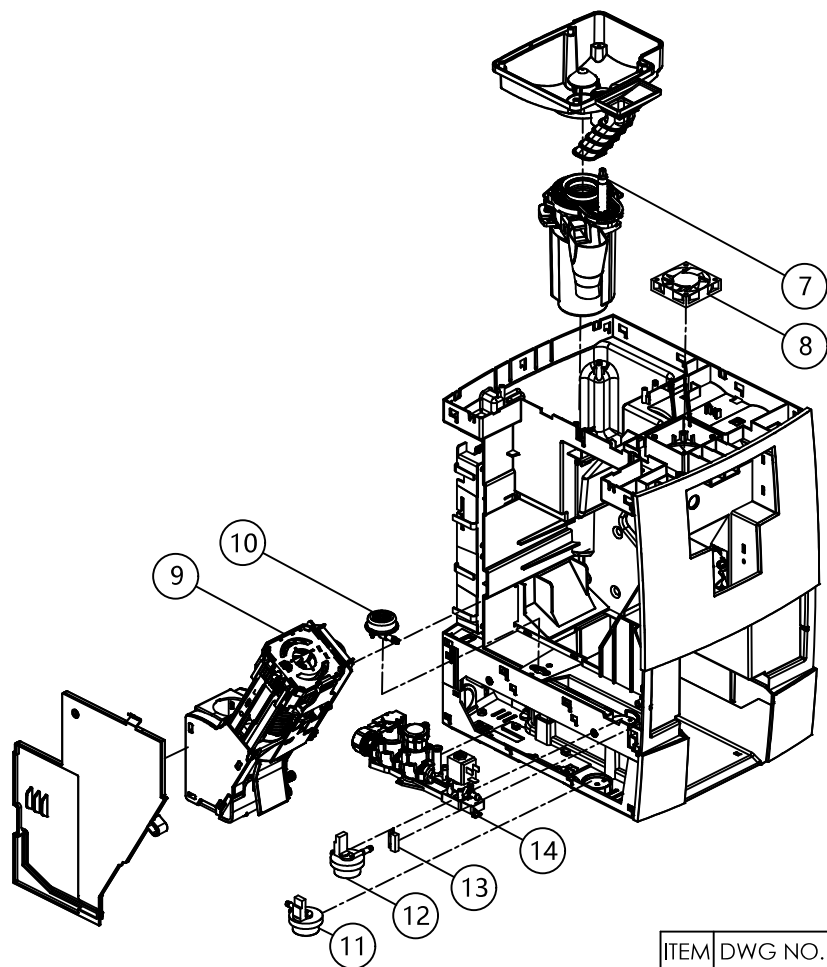


Content

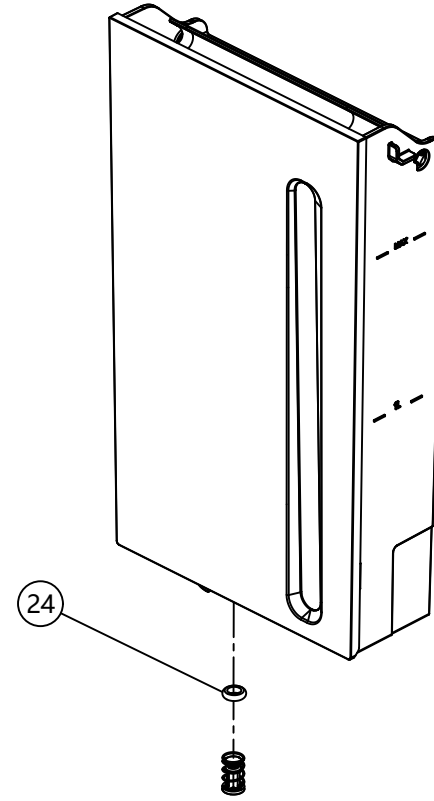
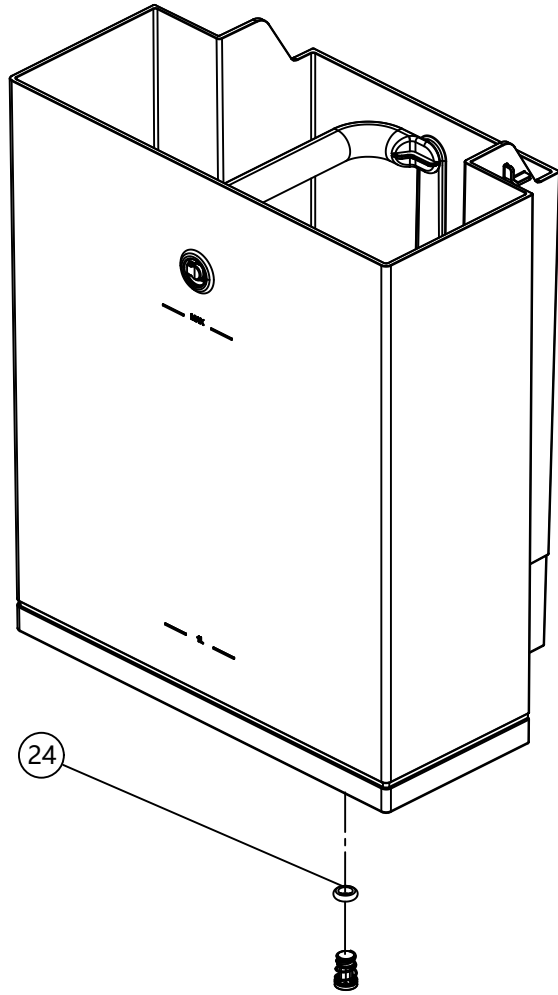
Appearance group.....	.01
Body holder.....	.02
Water tank group.....	.03
Front pannel assembly.....	.04
Drip tray group.....	.05
Brew group.....	.06
Thermoblock assembly.....	.07
Pump group.....	.08
Ginder group.....	.09
Water inlet valve group.....	.10
Solenoid valve group.....	.11
Pinch valve group.....	.12



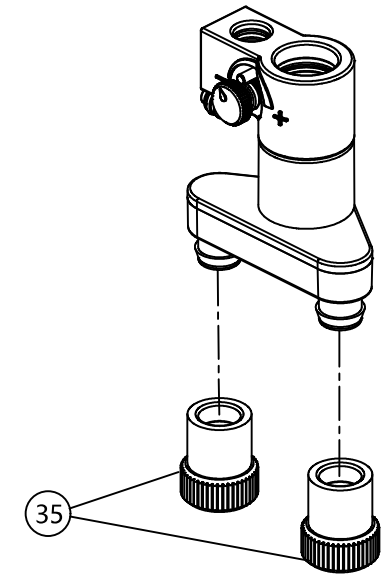
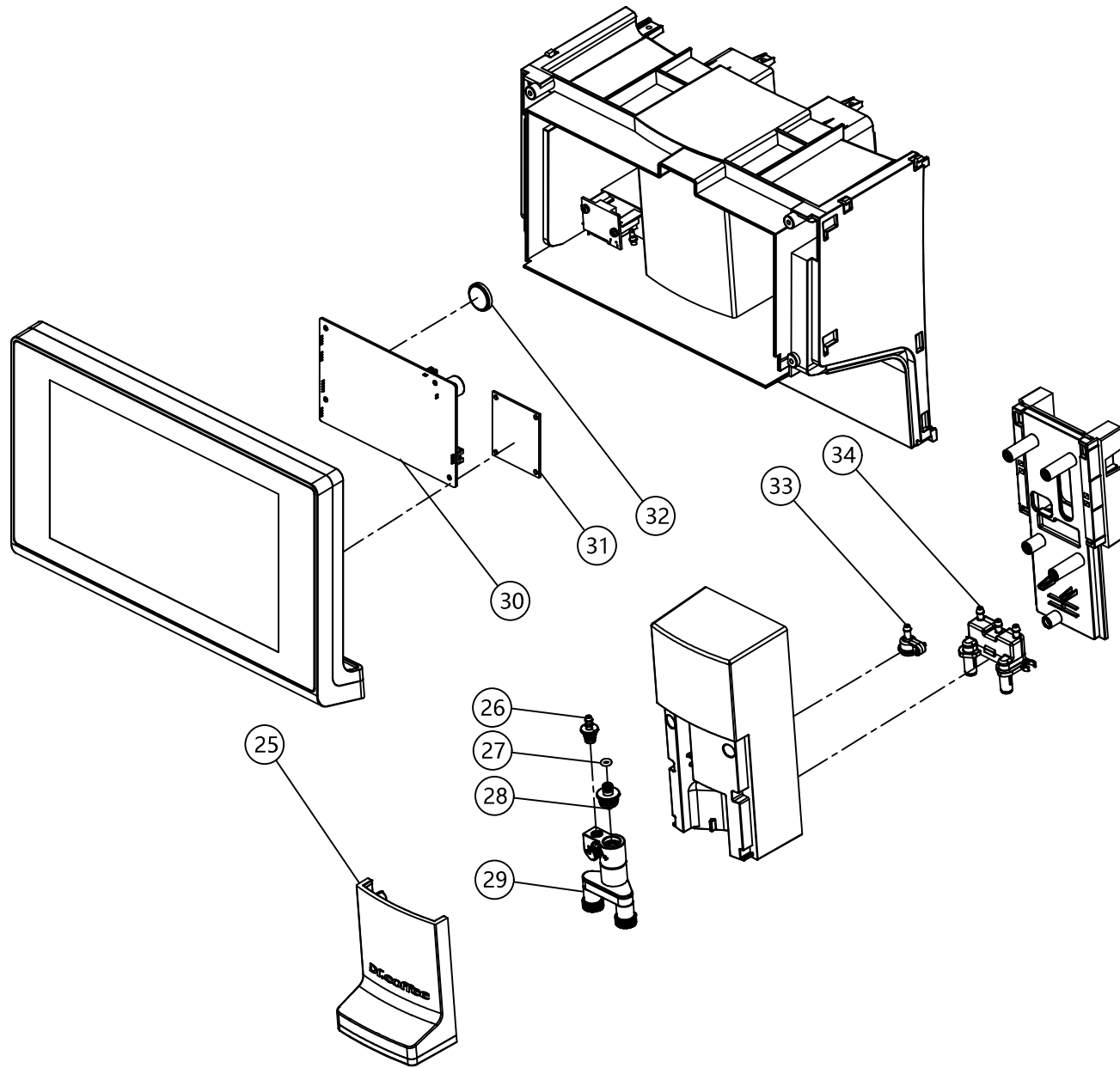
ITEM	DWG NO.	ENGLISH NAME	名称
1	7NN0117	Bean container Group	F11 豆盒组
2	7NN0352	Big water tank group	F11 大水箱组
3	7NN0277	Small water tank group	M12 小水箱组
4	8D10027	Water level detection PCBA	水位检测PCB
5	7NN0286	Front pannel assembly	M12 前面板组
6	7NN0121	Bean container cover	F11 豆盒盖组



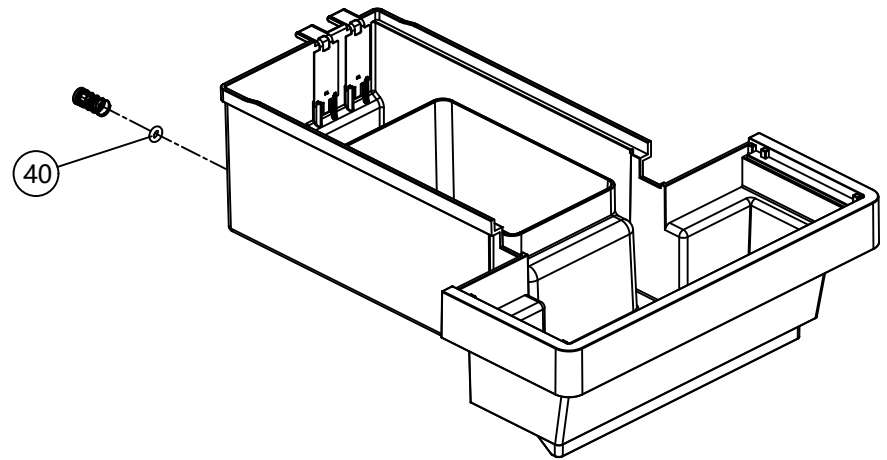
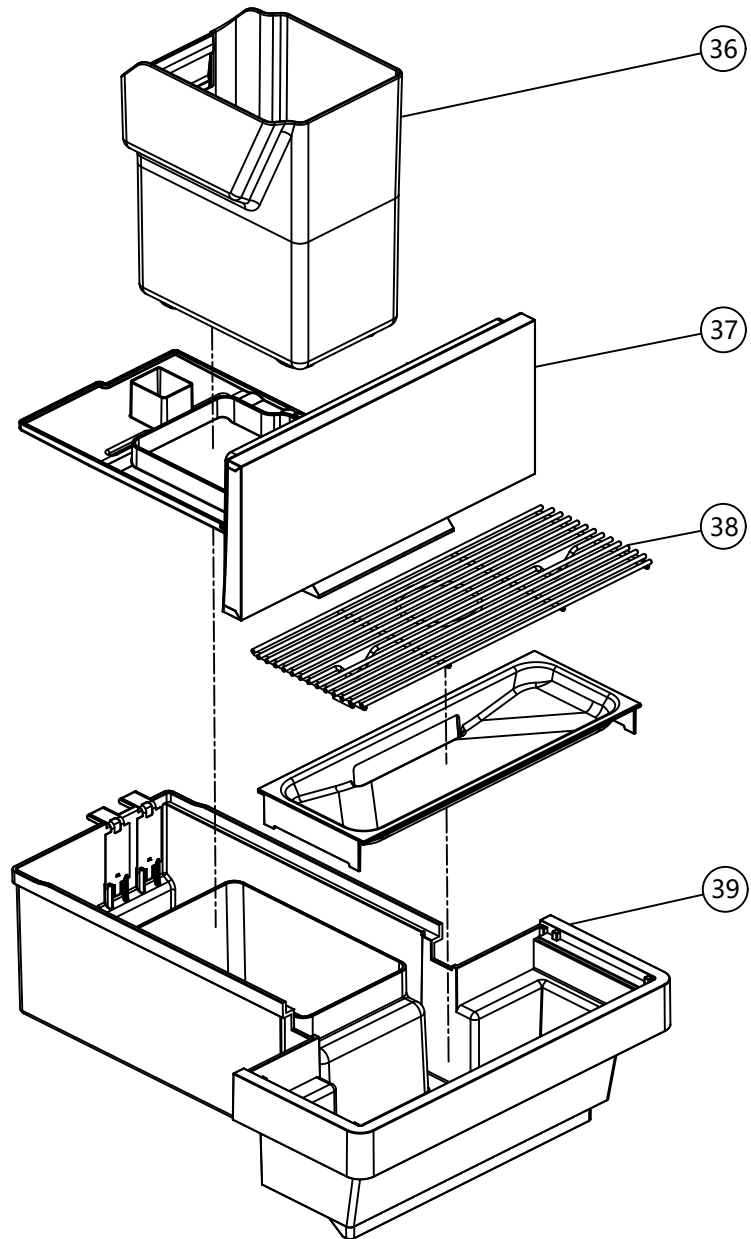
ITEM	DWG NO.	ENGLISH NAME	名称	ITEM	DWG NO.	ENGLISH NAME	名称
				15	8D10032V1	Control PCBA	M12主控板
7	7NN0276	Grinder group	M12磨豆组	16	8D10033	Power PCBA	M12电源板
8	8D30130	Fan	风扇	17	8D30121	Transformer	M12变压器
9	7NN0008	Brew group	F11冲泡器组	18	7NN0280	Thermoblock assembly	M12电热盘组
10	7NN0014	Water inlet valve group	F11导水座组	19	8D30016	Transformer	F11变压器
11	8D30065	Flowmeter 0° (1.2mm)	流量计0度 (1.2mm)	20	7NN0115	Brew motor group	F11传动组
12	8D30017	Flowmeter 270° (1.2mm)	流量计270度 (1.2mm)	21	8D30014	Stepmotor	泄压步进电机
13	8D30013	Reed switch	干簧管	22	7NN0009	Dispenser valve 3W	两通蓄压阀组-3bar
14	7NN0231	Water inlet assembly	F12自动进水阀组	23	7NN0206	Dispenser valve 5W	两通蓄压阀组-5bar



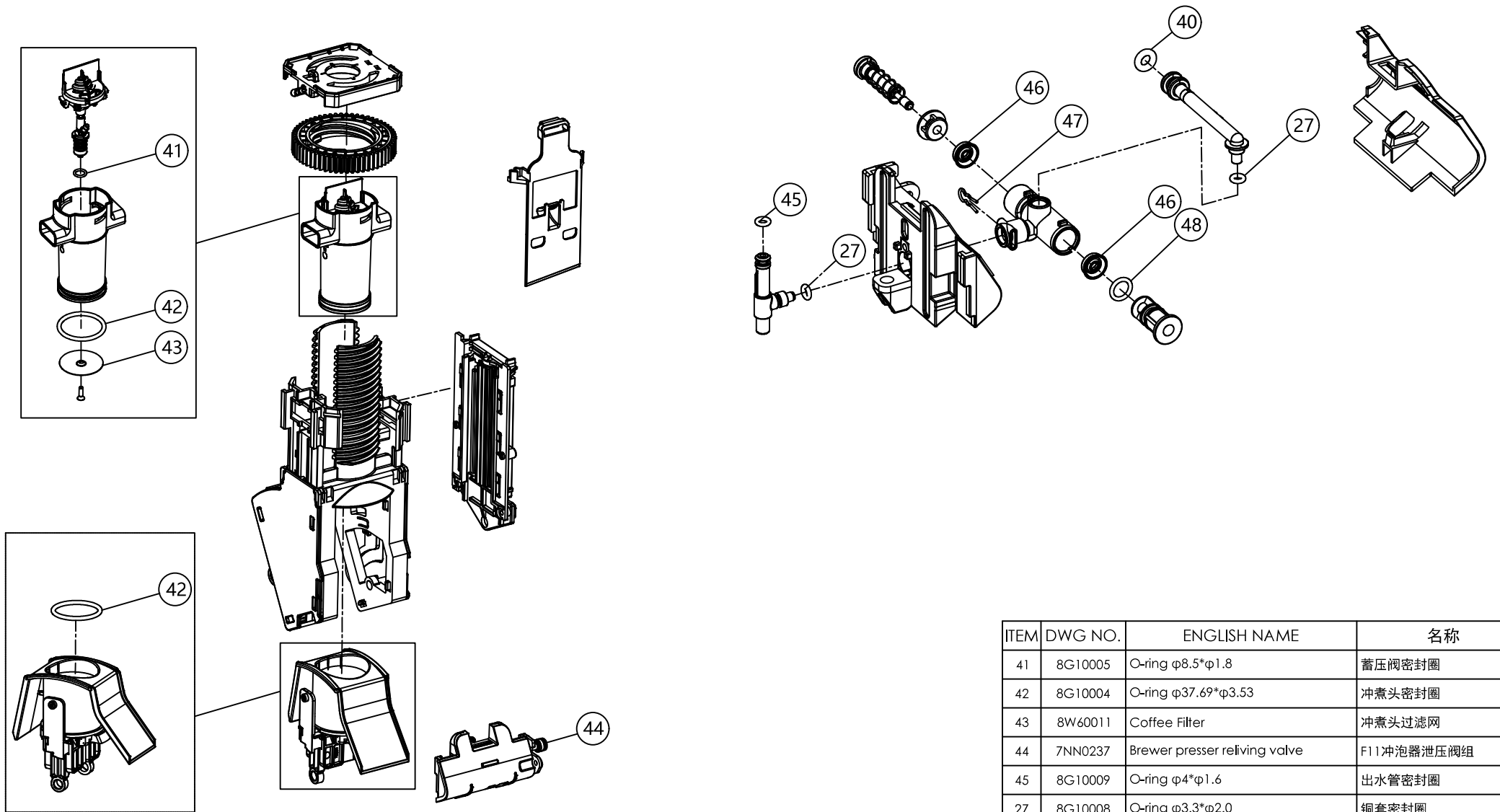
ITEM	DWG NO.	ENGLISH NAME	名称
24	8G10021	O-ring $\phi 5.0 \times \phi 3.75$	大小水箱止逆阀密封圈



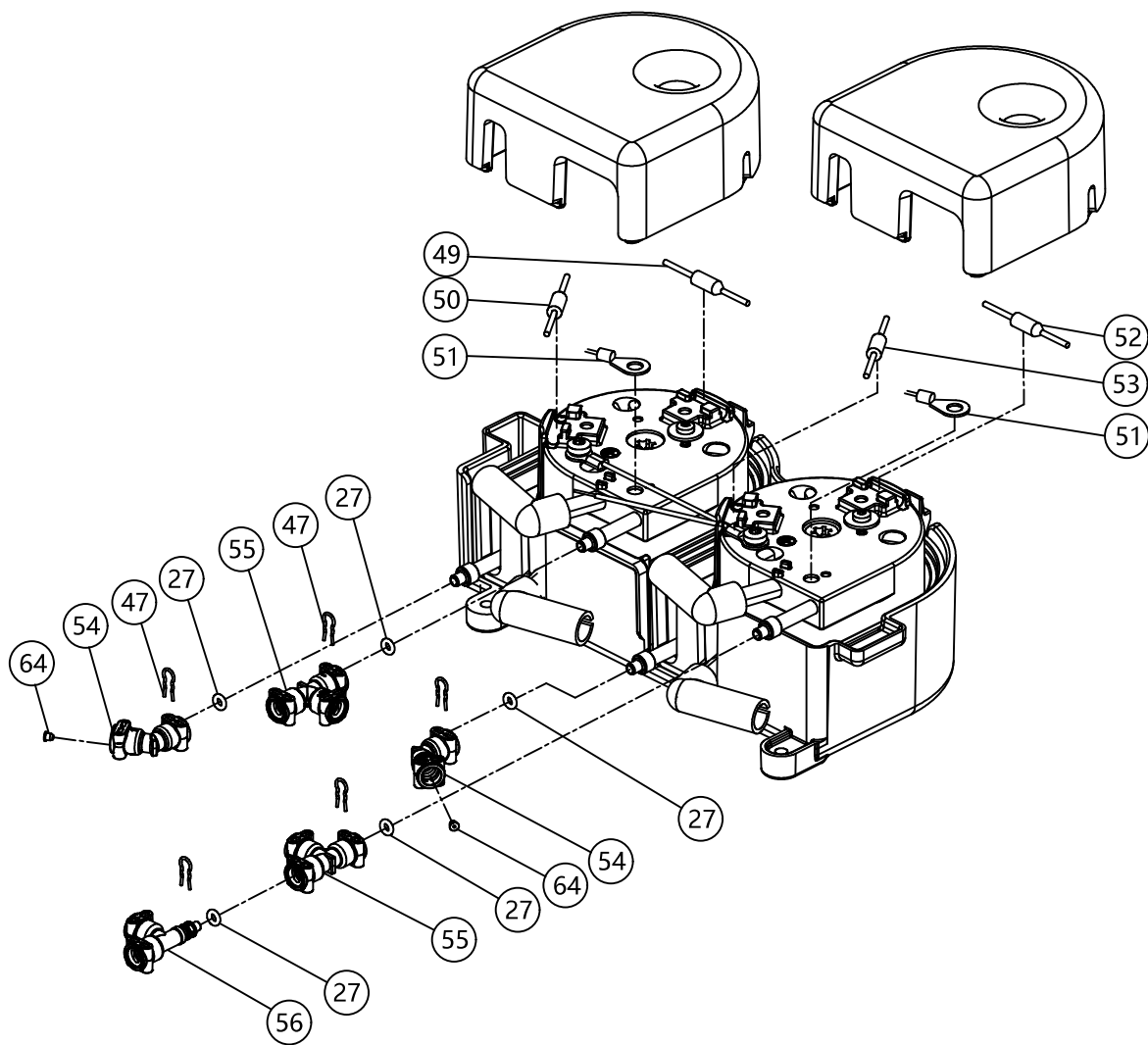
ITEM	DWG NO.	ENGLISH NAME	名称
25	8S10499	Coffee outlet cover group	M12咖啡出口盖
26	7NN0339	Milk pipe group	M12内部牛奶管组
27	8G10008	O-ring $\phi 3.3 \times \phi 2.0$	铜套密封圈
28	8S10491	Milk bubble nozzle	蒸汽喷嘴
29	7NN0288	Foamer	M12奶沫器组
30	8D10030	HMI PCBA	HMI板
31	8D10034	RGB control PCBA	M12RGB控制板
32	8D30064	Battery (CR-2032/5BC)	纽扣电池
33	8S10489	Steamer fitting	M12蒸汽转接座
34	8S10333	Coffee outlet	咖啡出口
35	8G20035	Foam applicator	奶沫器缓冲嘴



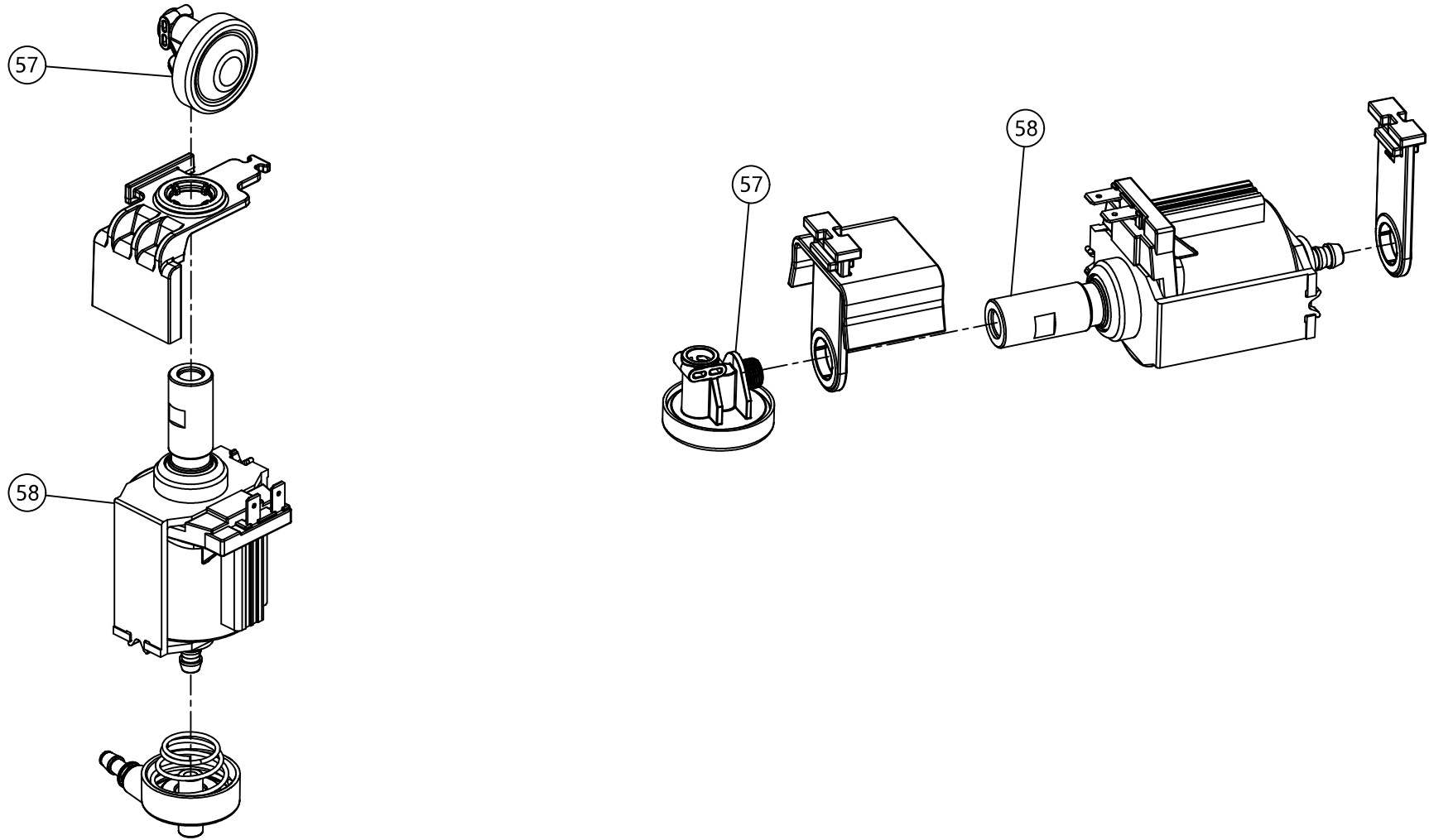
ITEM	DWG NO.	ENGLISH NAME	名称
36	7NN0122	Coffee grounds container	F11废渣盒
37	7NN0542	Coffee grounds container support	M12废渣盒支撑板
38	8W60015	Stainless steel tray	M12不锈钢托杯盘
39	7NN0541	Drip tray	M12蓄水盘
40	8G10001	O-ring $\phi 5.0 \times \phi 3.0$	水箱止逆阀密封圈



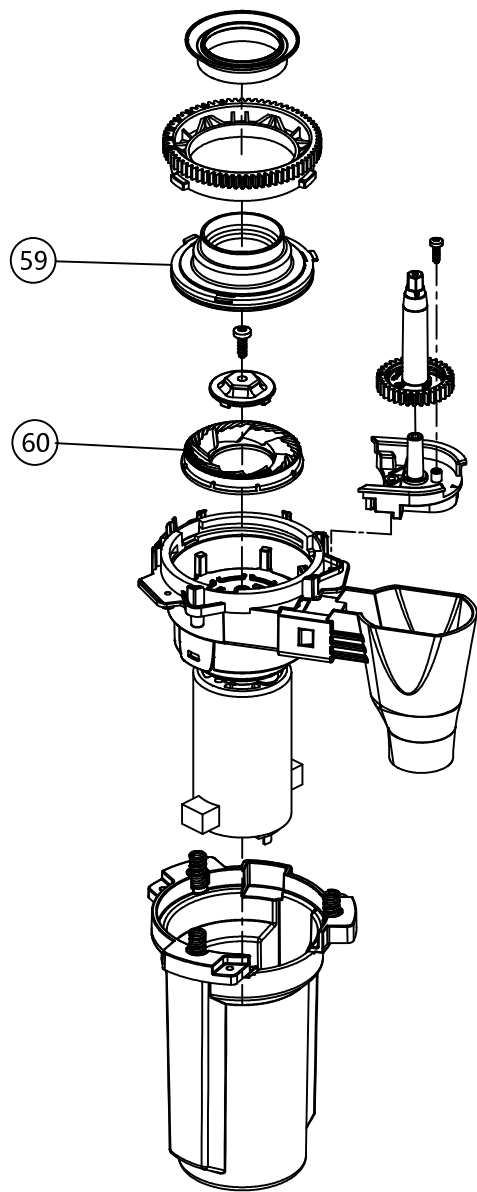
ITEM	DWG NO.	ENGLISH NAME	名称
41	8G10005	O-ring $\phi 8.5 \times \phi 1.8$	蓄压阀密封圈
42	8G10004	O-ring $\phi 37.69 \times \phi 3.53$	冲煮头密封圈
43	8W60011	Coffee Filter	冲煮头过滤网
44	7NN0237	Brewer presser reliving valve	F11冲泡器泄压阀组
45	8G10009	O-ring $\phi 4 \times \phi 1.6$	出水管密封圈
27	8G10008	O-ring $\phi 3.3 \times \phi 2.0$	铜套密封圈
46	8G20007	Y-ring $\phi 12.20 \times \phi 3.65$	泄压阀Y型密封圈
47	8W50023	Spring clip	通用弹簧夹
48	8G10007	O-ring $\phi 8 \times \phi 1.8$	泄水管密封圈
40	8G10001	O-ring $\phi 5.0 \times \phi 3.0$	水箱止逆阀密封圈



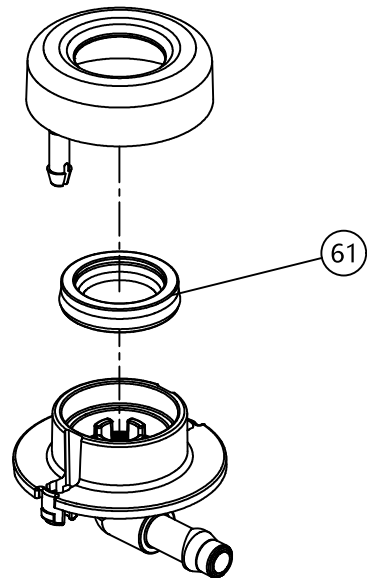
ITEM	DWG NO.	ENGLISH NAME	名称
49	8D20009	Coffee fused-cord-L	咖啡电热盘火线
50	8D20211	Steam fused-cord-L	M12咖啡电热盘零线
51	8D30004	Temperature Sensor	电热盘NTC
52	8D20011	Steam fused-cord-L	蒸汽电热盘火线
53	8D20010	Coffee fused-cord-N	咖啡电热盘零线
54	8S10428	Fitting	120度两通接头
47	8W50023	Spring clip	通用弹簧夹
27	8G10008	O-ring $\phi 3.3 \times \phi 2.0$	铜套密封圈
55	8S10517	Fitting	三通铁氟龙接头
56	8S10144	Fitting	三通转接头
64	8W40078	Orifice	限流孔



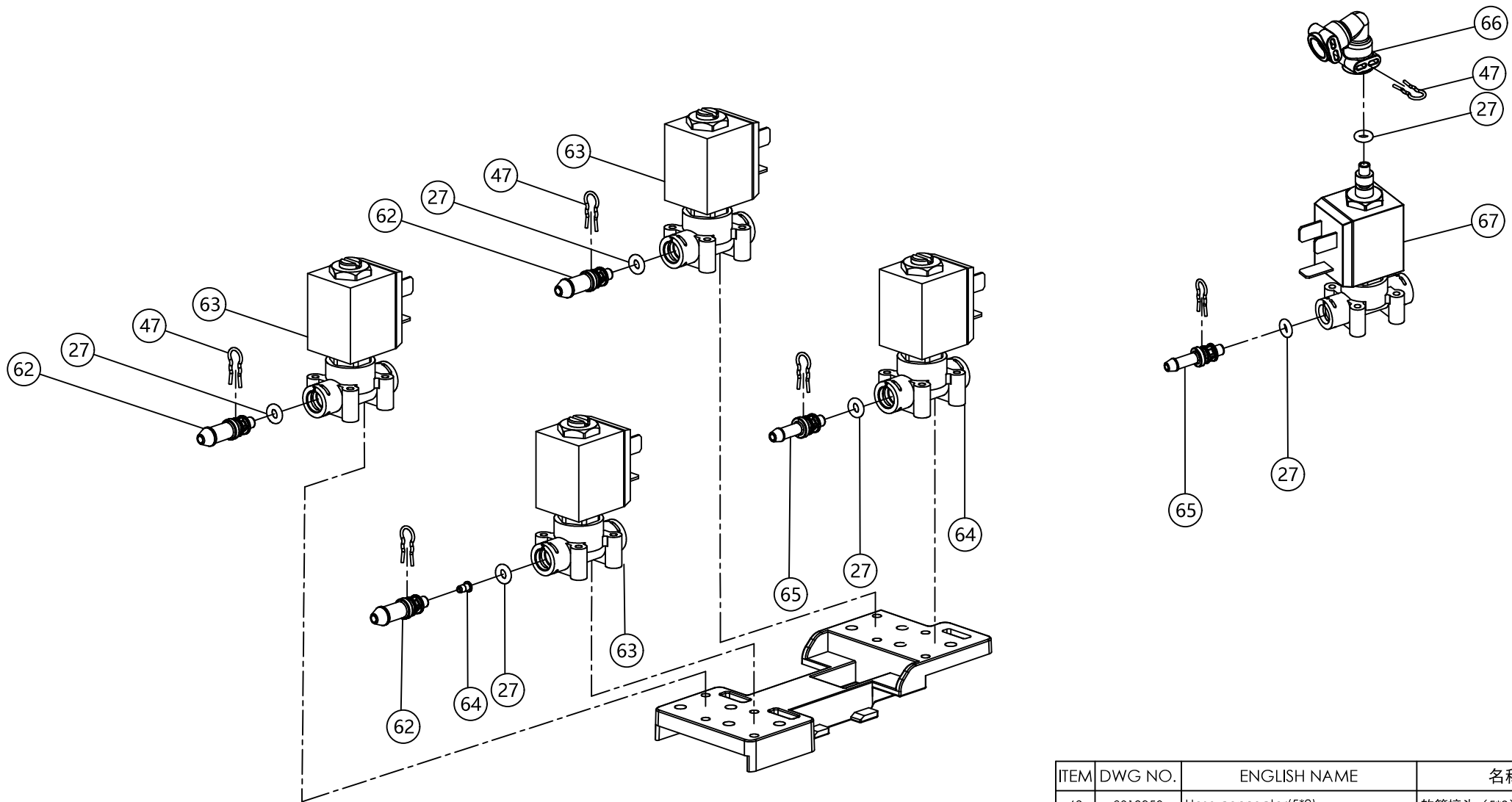
ITEM	DWG NO.	ENGLISH NAME	名称
57	7NN0012	Membrane controller group	稳压阀组
58	8D30051	Pump (220-240V 50Hz)	水泵 (220-240V 50Hz)
	8D30052	Pump (220-240V 60Hz)	水泵 (220-240V 60Hz)



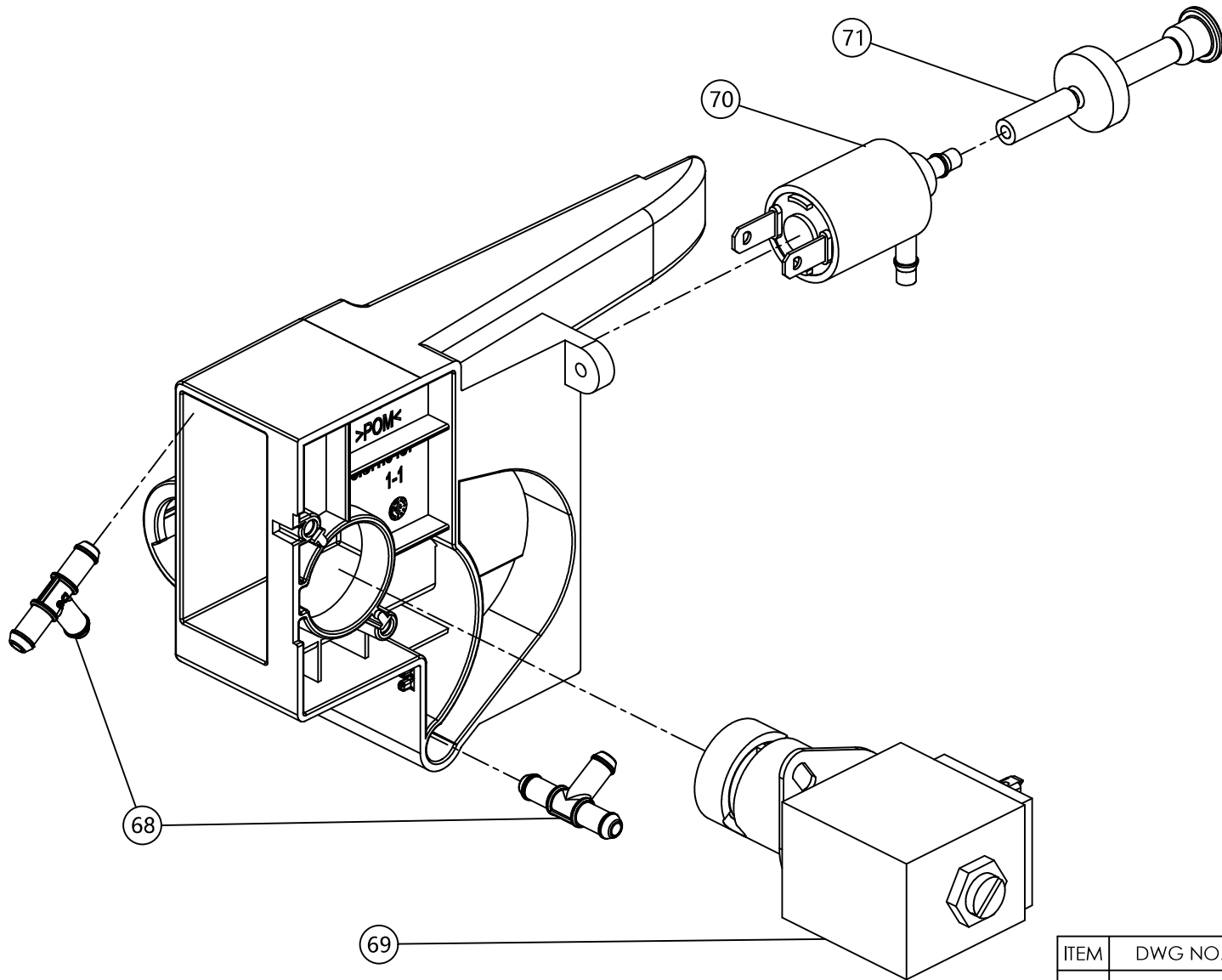
ITEM	DWG NO.	ENGLISH NAME	名称
59	7NN0119	Upper grinder burr assembly	上刀盘组
60	8T10003	Grinder burr	磨豆刀



ITEM	DWG NO.	ENGLISH NAME	名称
61	8G20014	Y-ring $\phi 22.67 * \phi 13.90$	导水座Y型密封圈



ITEM	DWG NO.	ENGLISH NAME	名称
62	8S10350	Hose connector(5*9)	软管接头 (5*9)
47	8W50023	Spring clip	通用弹簧夹
27	8G10008	O-ring φ3.3*φ2.0	铜套密封圈
63	8D30021	Solenoid valve 2W	两通电磁阀
65	8S10342	Hose connector(3*6)	软管接头 (3*6)
66	8S10136	Fitting	分向阀转接头
67	8D30120	Solenoid valve 3W	三通电磁阀-3口为卡口



ITEM	DWG NO.	ENGLISH NAME	名称
68	8S10318	3 Way hose conector	三通软管接头6mm
69	8D30085V1	Pinch valve	夹管阀
70	8D30036	Soleniod valve	气阀
71	7NN0202	Air inlet valve assembly	鸭嘴阀组