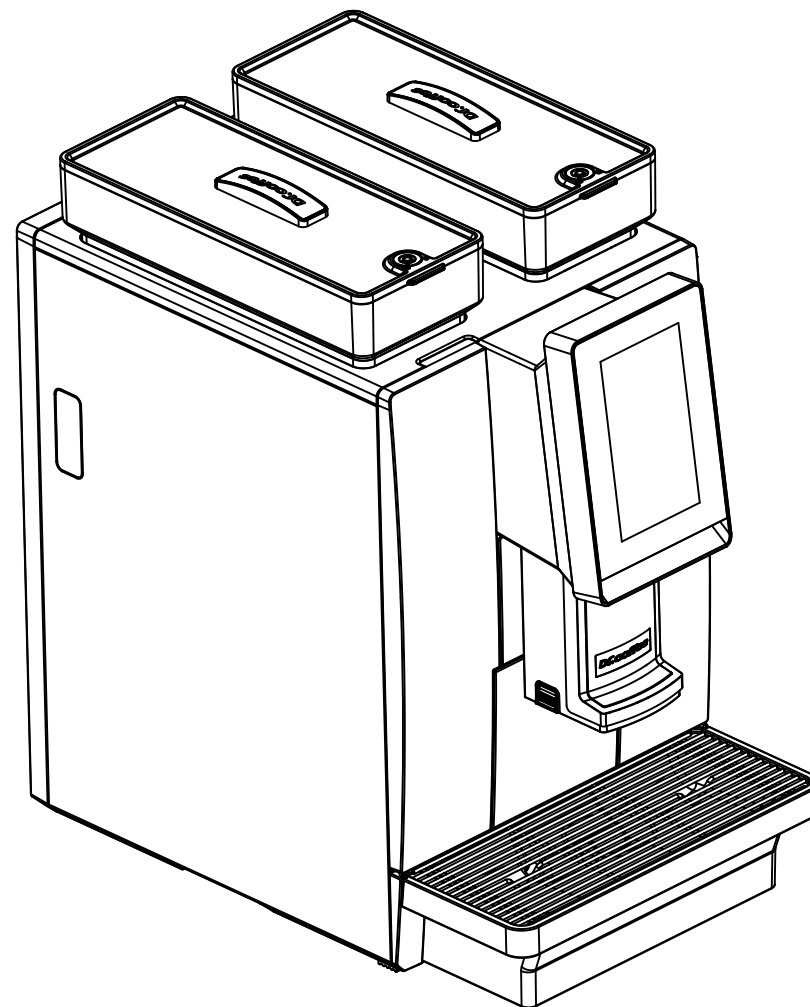


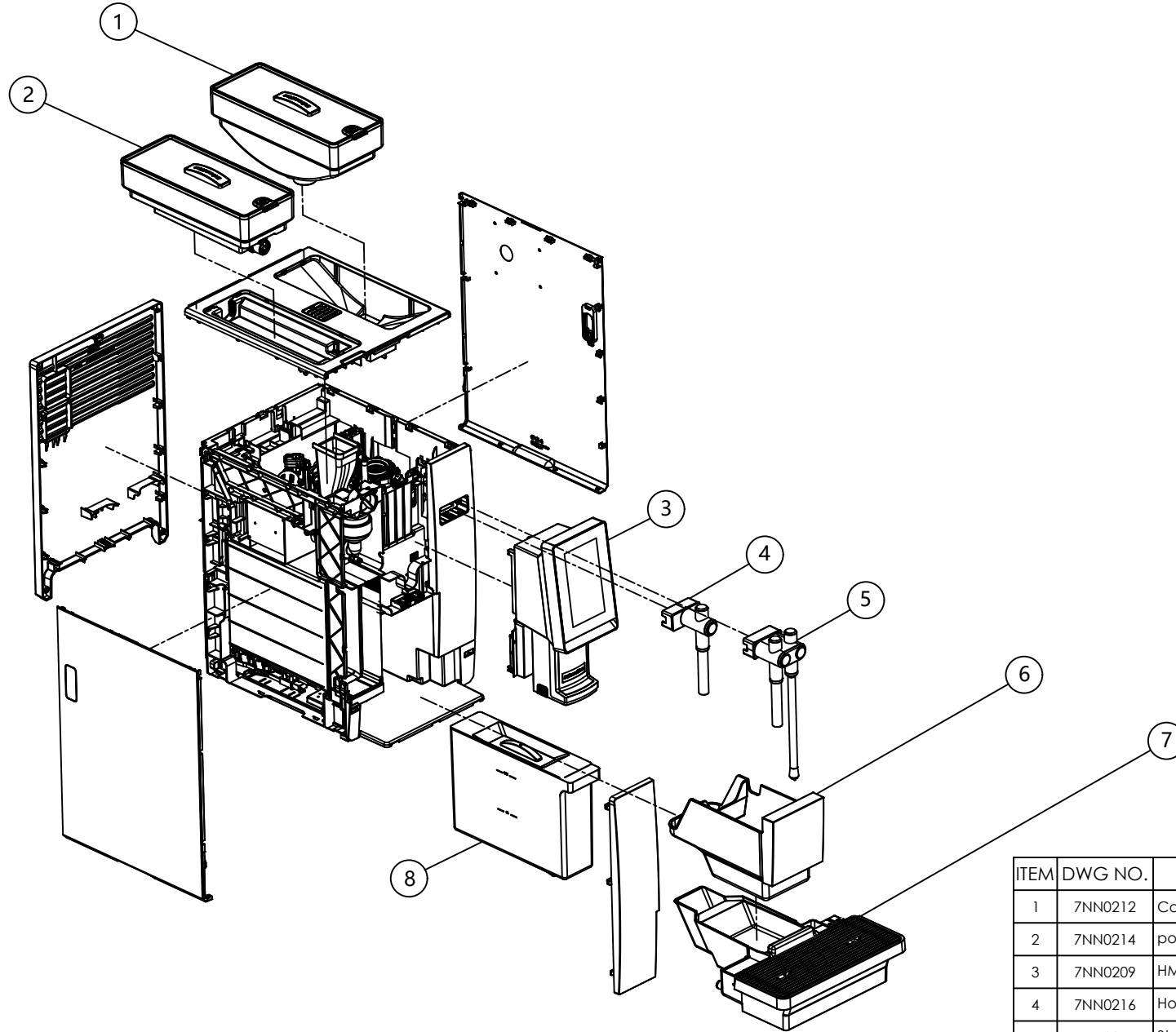
Minibar Explosive view

ISSUE: 02

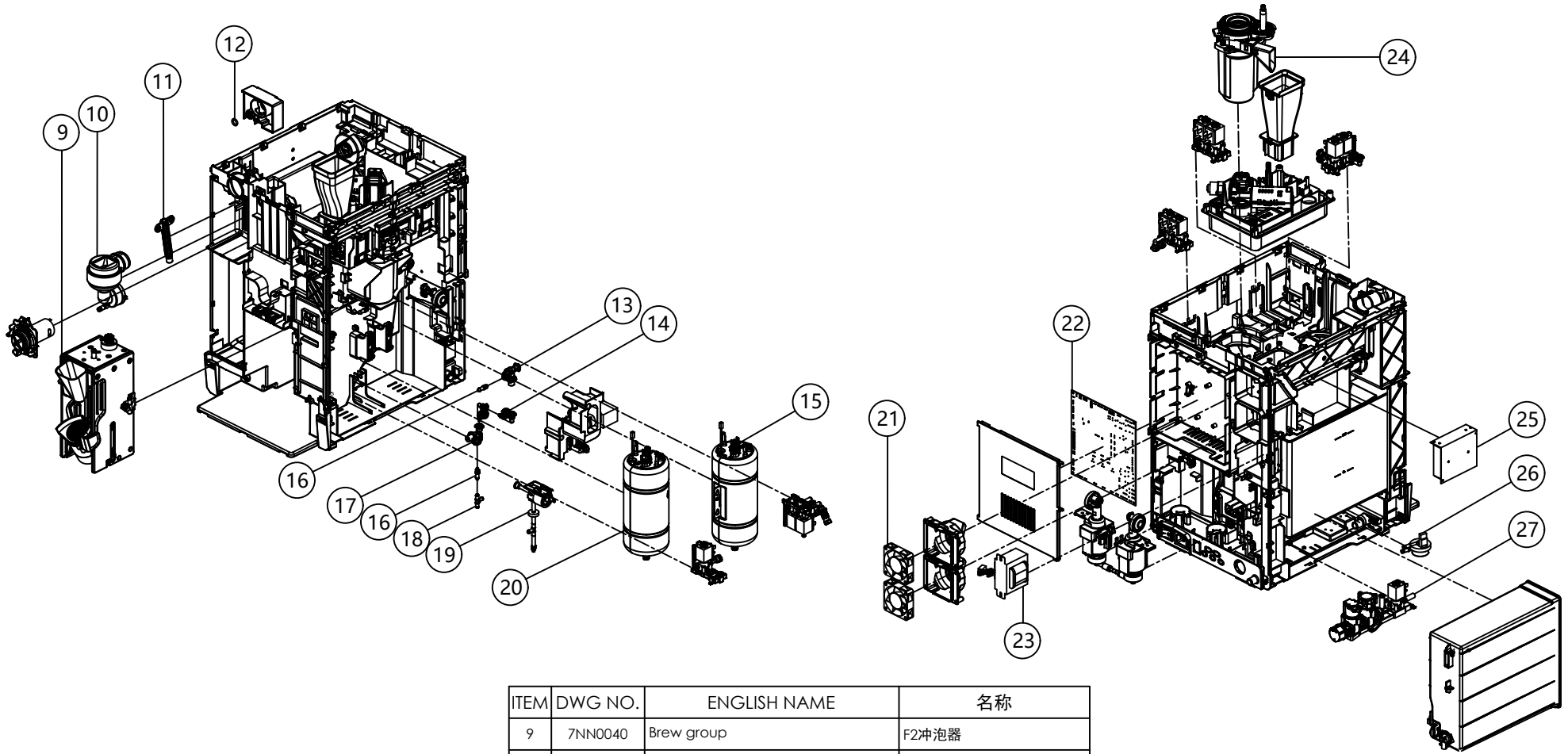


Content

Appearance group.....	01
Body holder.....	02
Coffee bean&powder box.....	03
Water tank group.....	04
Water tank shell group.....	05
HMI assembly.....	06
Guide rail assembly.....	07
Drip tray.....	08
Brew group.....	09
Boiler group.....	10
Pump group.....	11
Ginder group.....	12
Driving and fixing frame set of foam starter.....	13
Solenoid valve group.....	14
Solenoid valve group.....	15
Solenoid valve group.....	16
Pinch valve group.....	17
Blender motor group.....	18

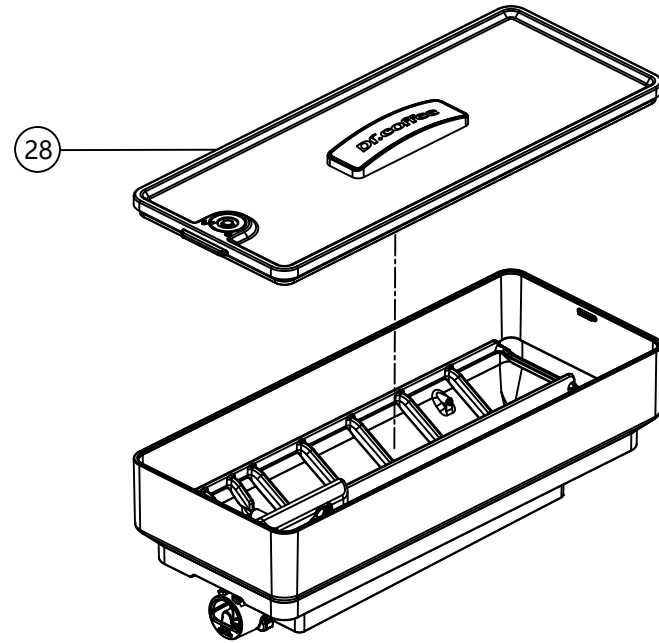
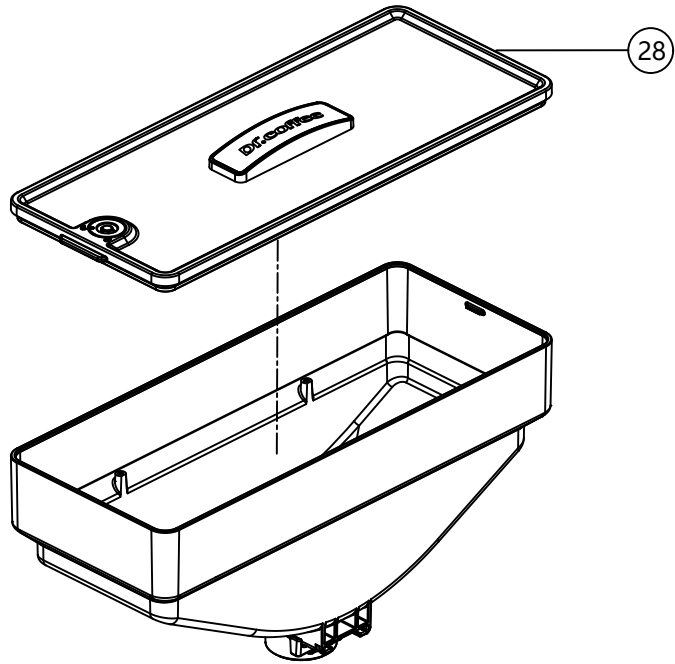


ITEM	DWG NO.	ENGLISH NAME	名称
1	7NN0212	Coffee bean box	Minibar豆盒组
2	7NN0214	powder box	Minibar粉盒组
3	7NN0209	HMI assembly	Minibar HMI显示面板组
4	7NN0216	Hot water wand group	Minibar单热水杆组
5	7NN0215	Steam&hot water wand group	Minibar蒸汽热水杆组
6	7NN0221	Bean container Group	Minibar渣盒组
7	7NN0220	Drip tray	Minibar蓄水盘组
8	7NN0045	Water tank	F2水箱组

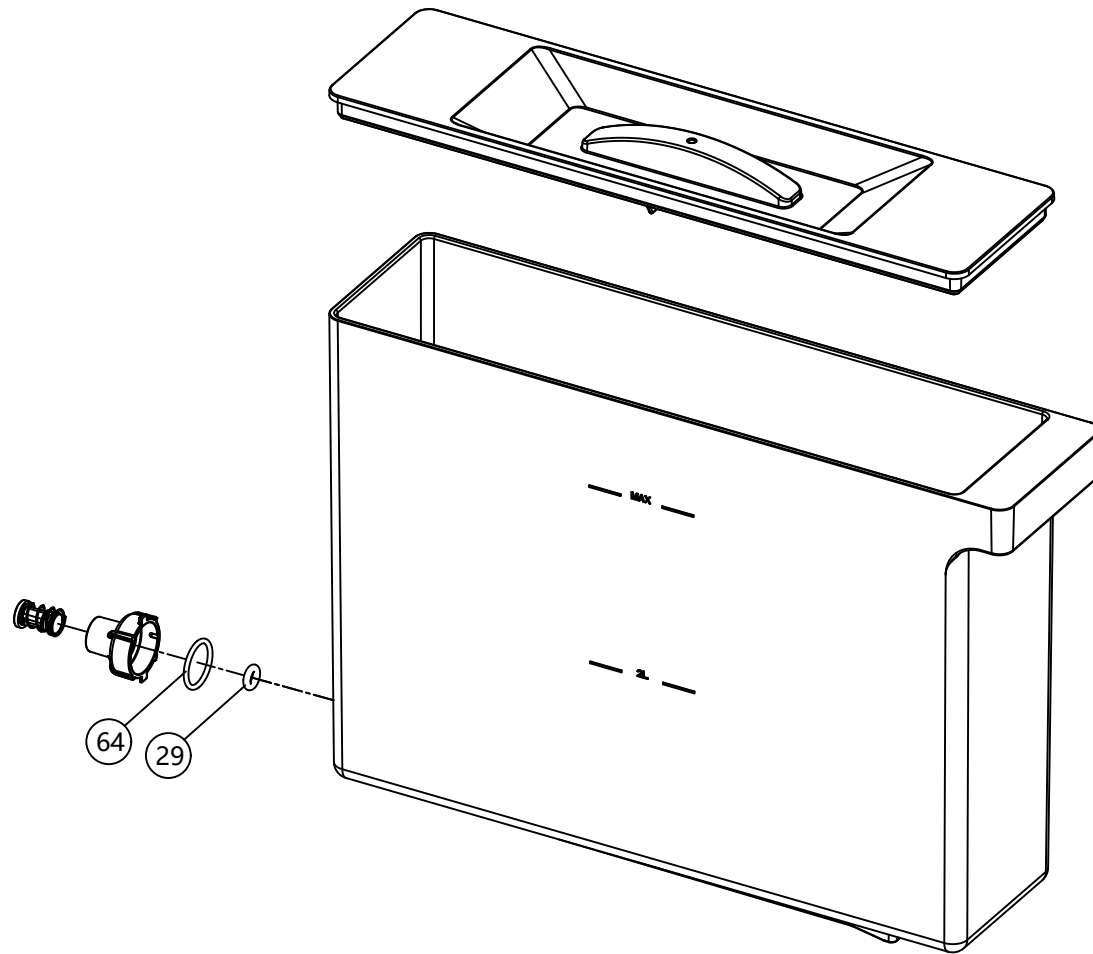


ITEM	DWG NO.	ENGLISH NAME	名称
9	7NN0040	Brew group	F2冲泡器
10	7NN0070	Blender chamber group	F2 plus 搅拌室组
11	8D30017	Grinder adjust knob	磨豆调节柄
12	8G10018	O-ring $\phi 9.5 \times \phi 2.65$	F2搅拌机进水密封圈
13	7NN0206	Dispenser valve 5W	两通蓄压阀组-5bar
14	8S10059	Fitting	F型接头
15	7NN0247	Hot water boiler group	Minibar热水锅炉组
16	8S10350	Hose connector(5*9)	软管接头 (5*9)
17	7NN0207	Dispenser valve 15W	两通蓄压阀组-15bar
18	8S10319	3 way hose connector	三通软管接头9mm
19	7NN0248	Air inlet valve	Minibar气阀组
20	7NN0246	Steam boiler group	Minibar蒸汽锅炉组

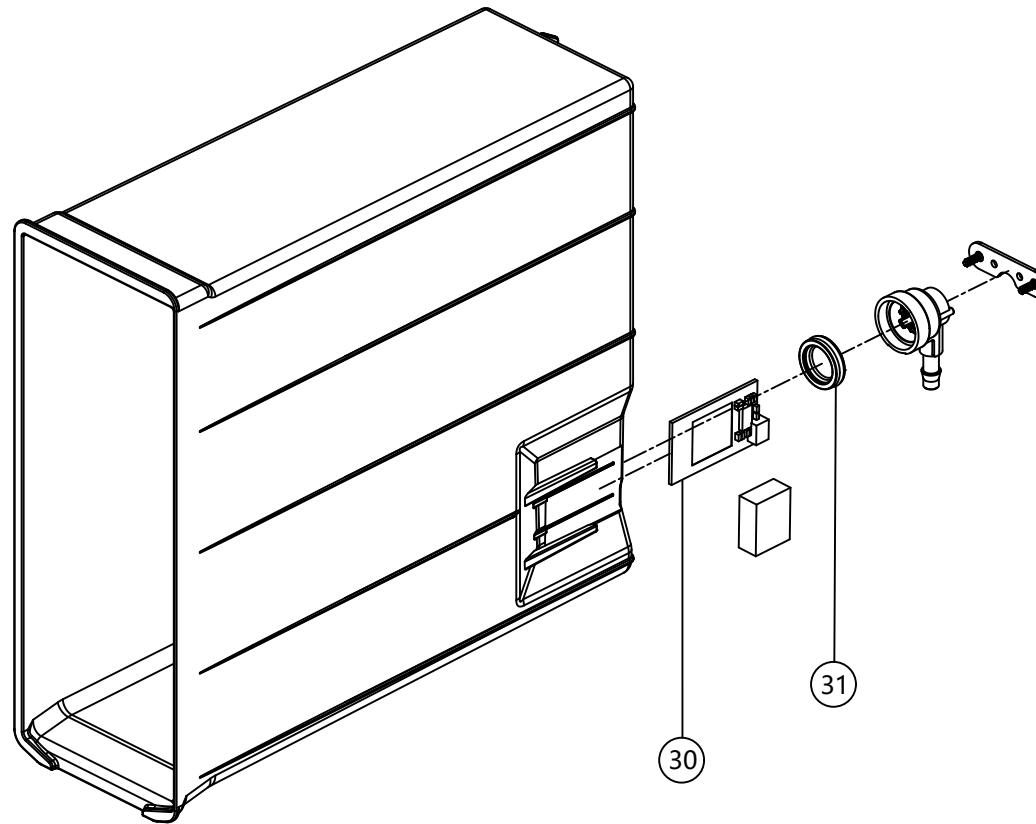
ITEM	DWG NO.	ENGLISH NAME	名称
21	8D30130	Fan	风扇
22	8D10026V1	Control PCBA	F2主控板
23	8D30037	Transformer	变压器
24	7NN0205	Grinder group	Minibar磨豆组
25	8D30102	Switching power supply	明纬开关电源50W
26	8D30082	Flowmeter 0° (2.0mm)	流量计0度 (2.0mm)
27	7NN0251	Water inlet assembly	Minibar自动进水阀组



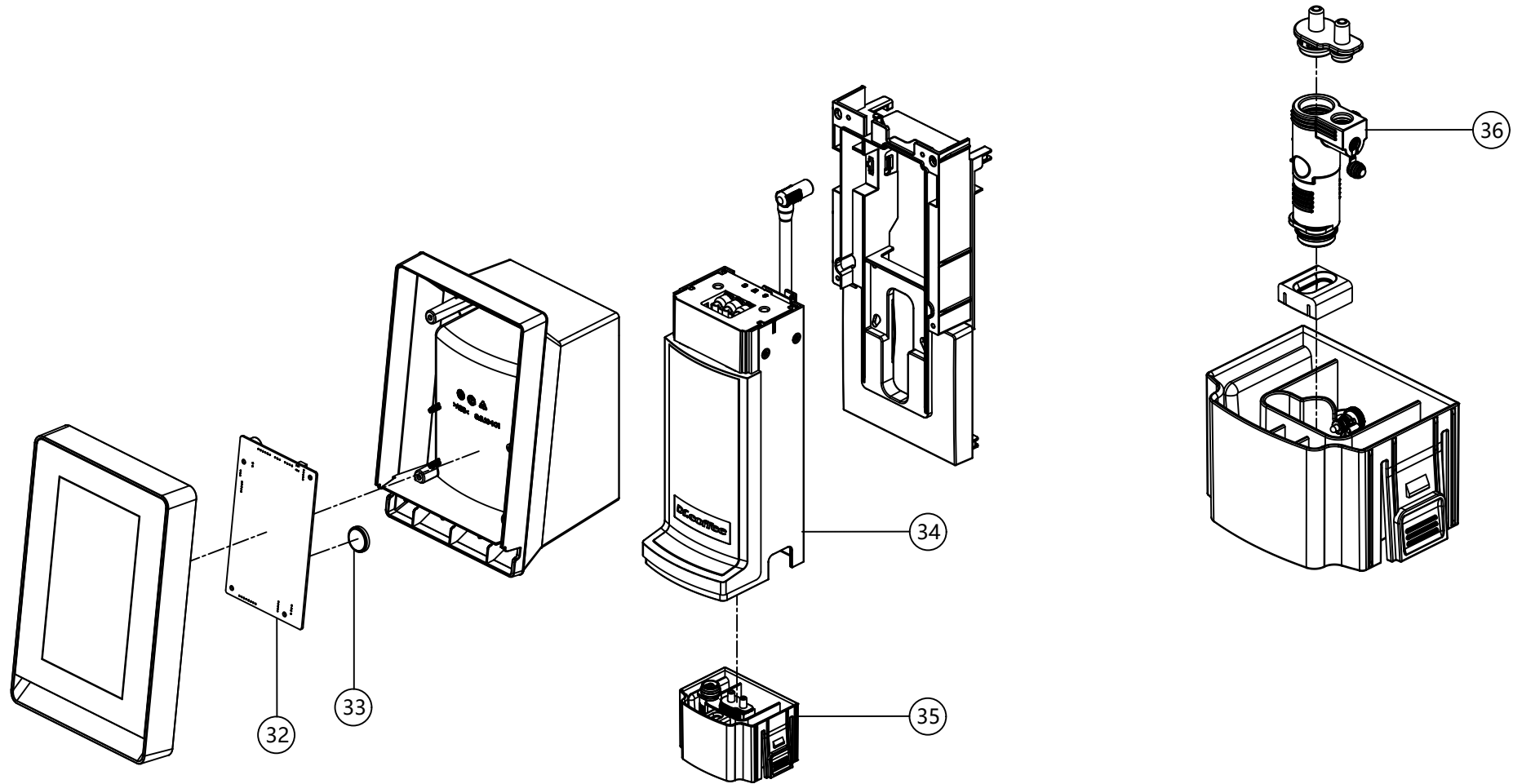
ITEM	DWG NO.	ENGLISH NAME	名称
28	7NN0213	Bean&powder container cover	Minibar豆盒&粉盒盖组



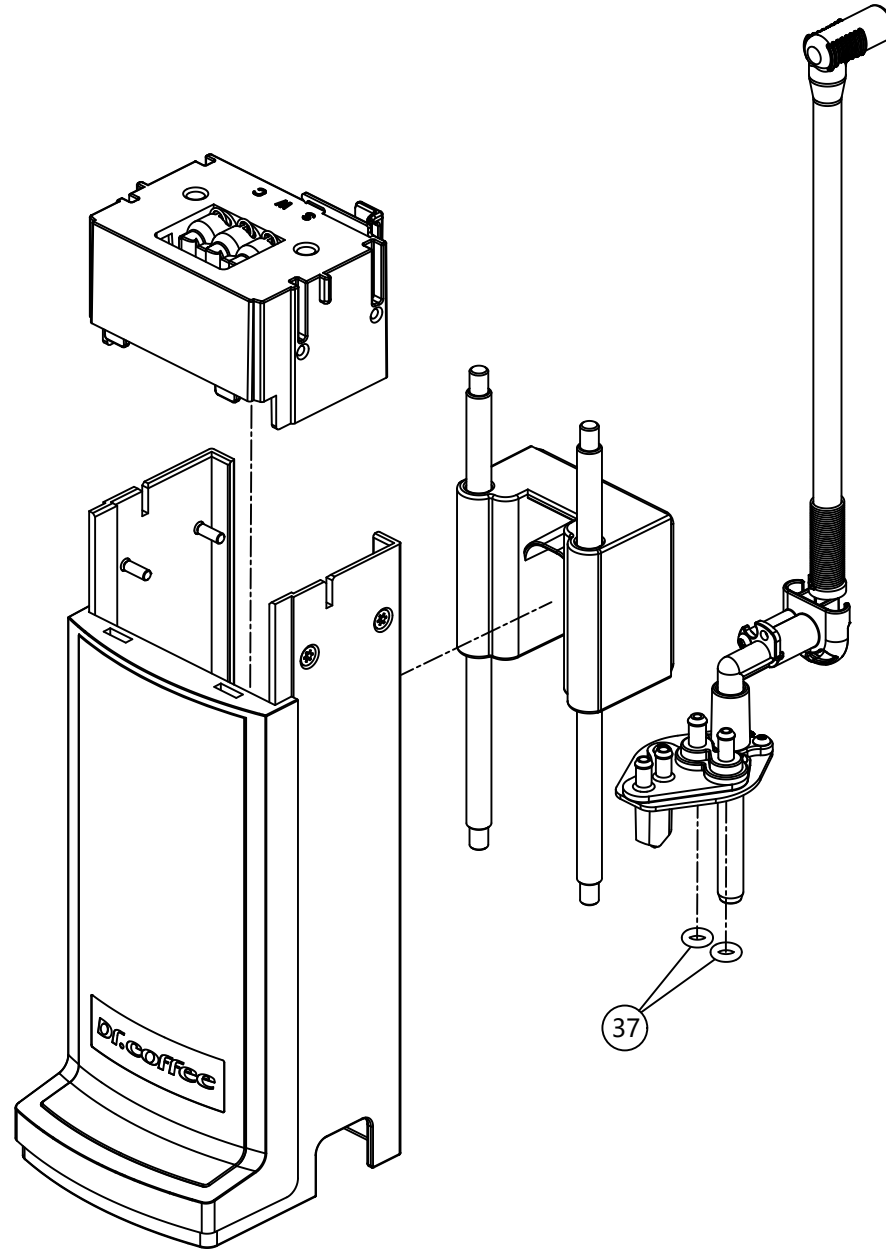
ITEM	DWG NO.	ENGLISH NAME	名称
29	8G10001	O-ring $\phi 5.0 \times \phi 3.0$	水箱止逆阀密封圈
64	8G20068	O-ring $\phi 18 \times \phi 2.0$	水箱出水口密封圈



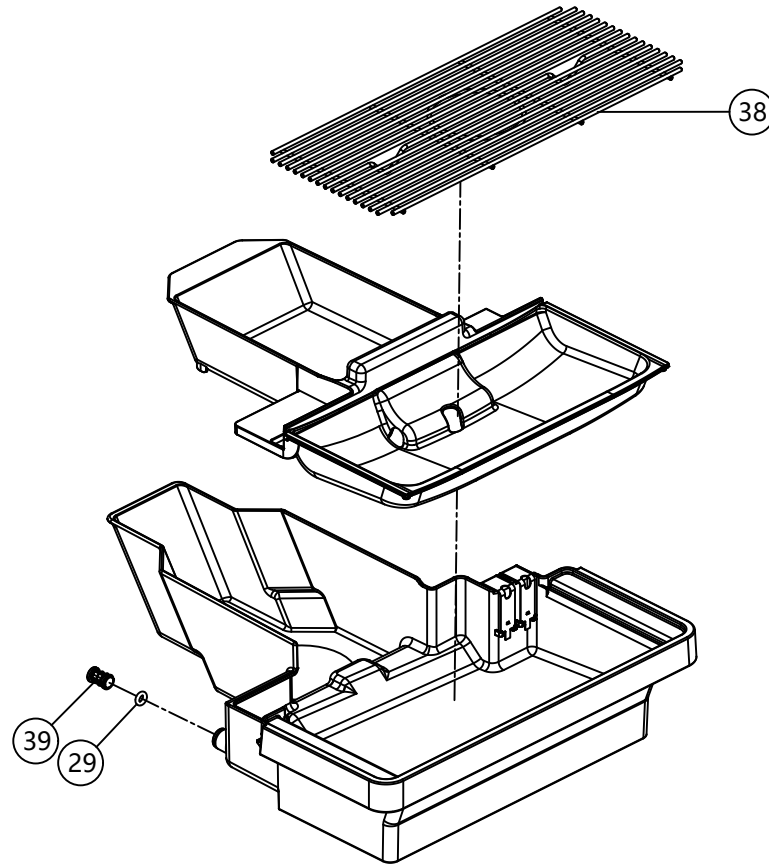
ITEM	DWG NO.	ENGLISH NAME	名称
30	8D10027	Water level detection PCBA	水位检测PCB
31	8G20014	Y-ring $\phi 22.67 * \phi 13.90$	导水座Y型密封圈



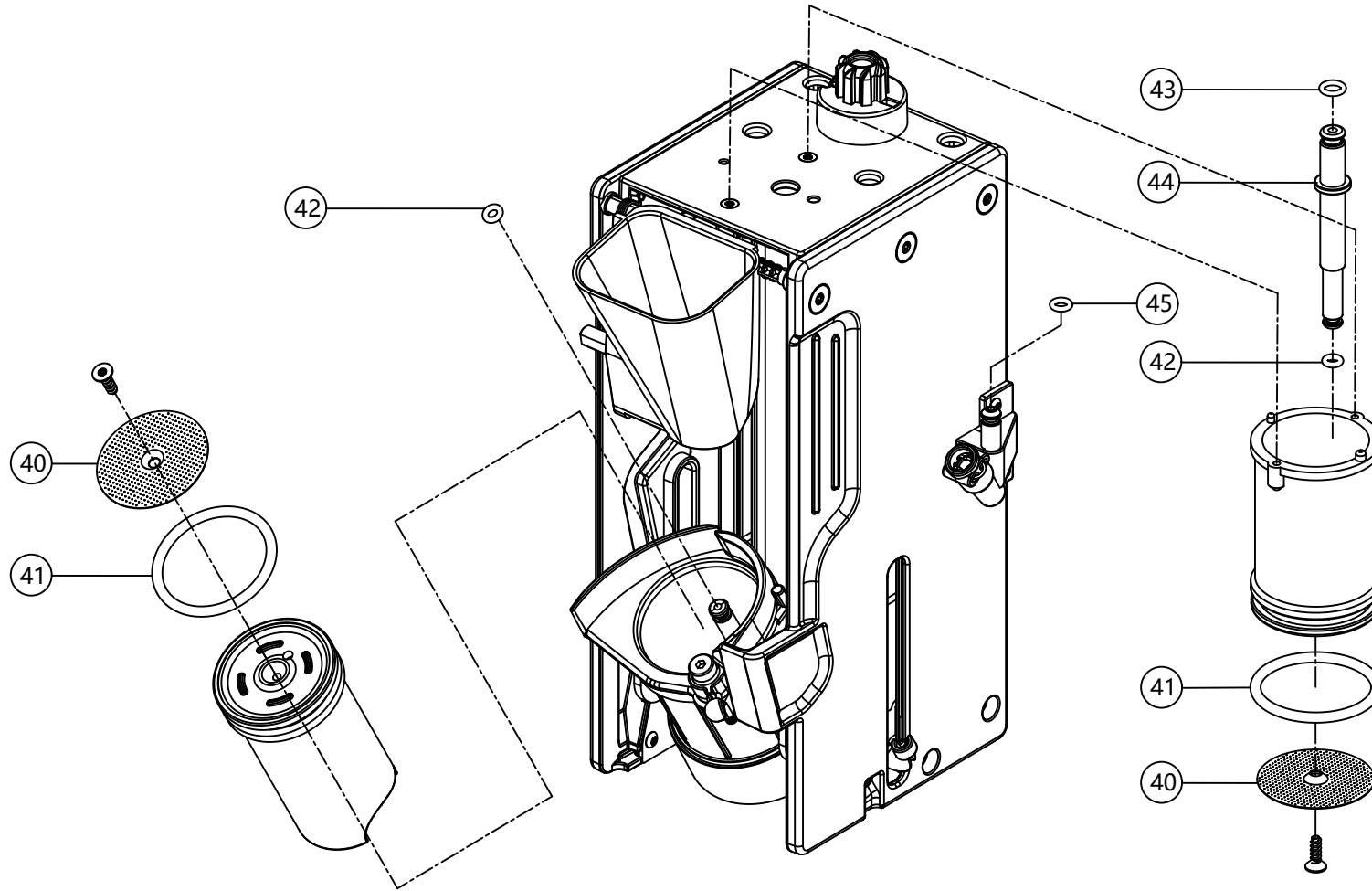
ITEM	DWG NO.	ENGLISH NAME	名称
32	8D10030	HMI PCBA	HMI板
33	8D30064	Battery (CR-2032/5BC)	纽扣电池
34	7NN0245	Guide rail assembly	Minibar导轨组
35	7NN0244	Integrated beverage group	单奶沫器饮品出口组
36	8G20048	Foamer	Minibar奶沫器组



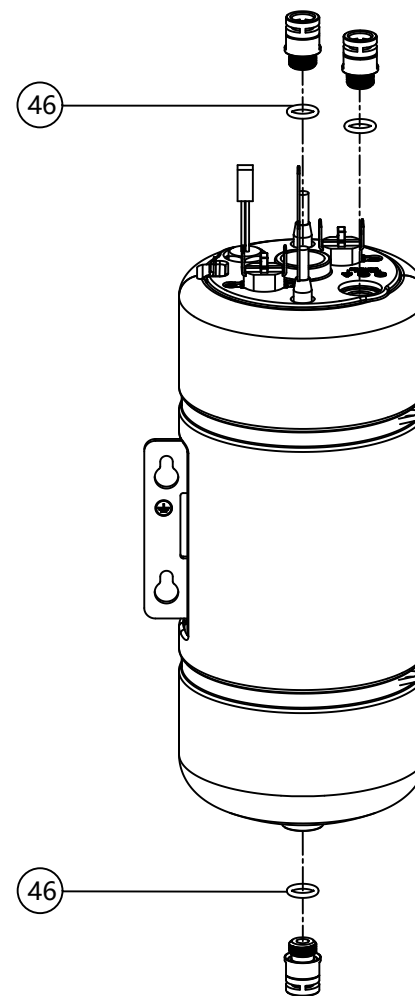
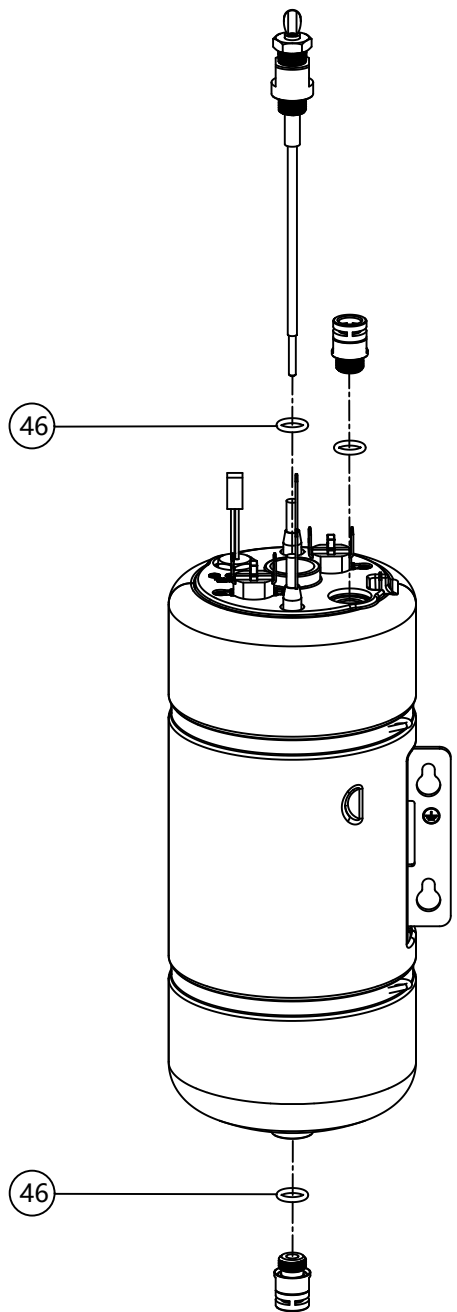
ITEM	DWG NO.	ENGLISH NAME	名称
37	8G10014	O-ring $\phi 5.0 \times \phi 2.5$	奶沫器密封圈



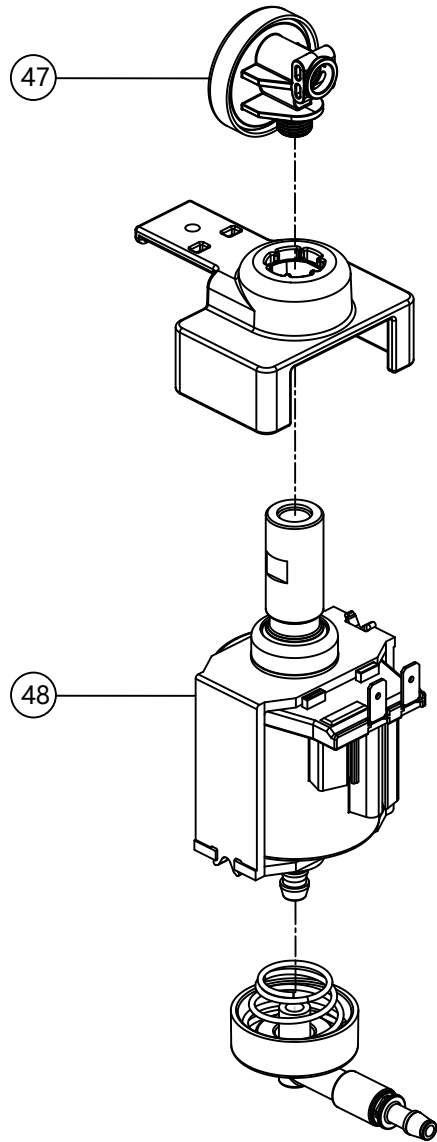
ITEM	DWG NO.	ENGLISH NAME	名称
38	8W60017	Stainless steel tray	不锈钢托杯盘
39	7NN0371	One-way valve	单向阀组
29	8G10001	O-ring $\phi 5.0 \times \phi 3.0$	水箱止逆阀密封圈



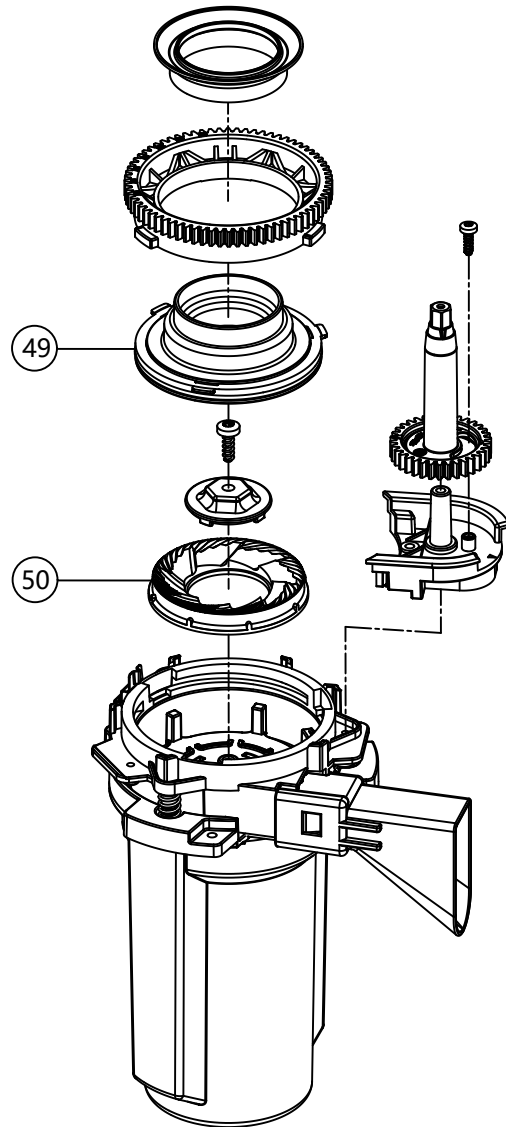
ITEM	DWG NO.	ENGLISH NAME	名称
40	8W60011	Coffee Filter	冲煮头过滤网
41	8G10004	O-ring $\phi 37.69 \times \phi 3.53$	冲煮头密封圈
42	8G10008	O-ring $\phi 3.3 \times \phi 2.0$	铜套密封圈
43	8G10013	O-ring $\phi 5.6 \times \phi 1.8$	冲泡器咖啡出口密封圈
44	8S10171	Coffee outlet	冲泡器咖啡出口
45	8G10012	O-ring $\phi 4 \times \phi 1.8$	导向轴密封圈



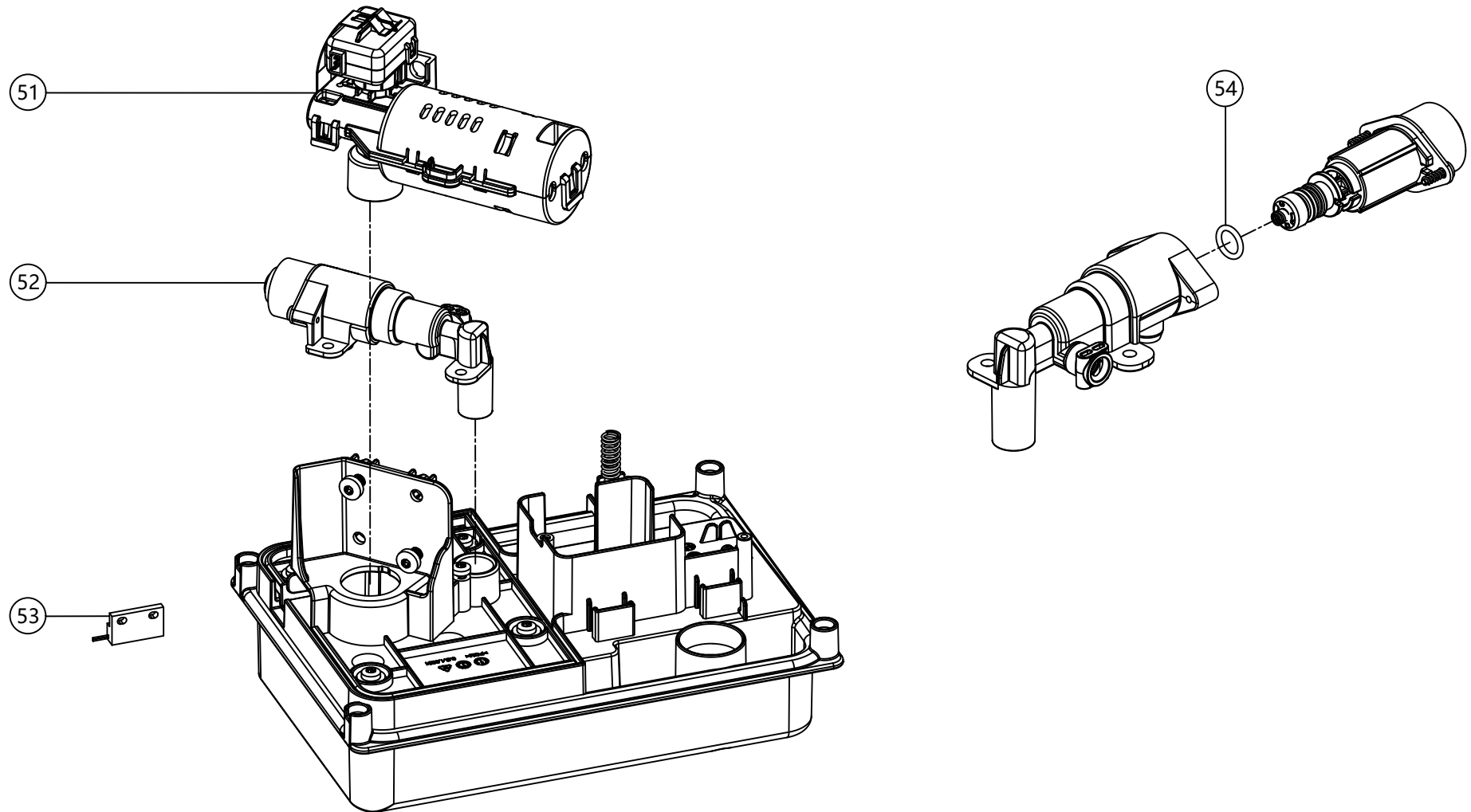
ITEM	DWG NO.	ENGLISH NAME	名称
46	8G10024	O-ring $\phi 9.5 \times \phi 1.5$	锅炉接头密封圈



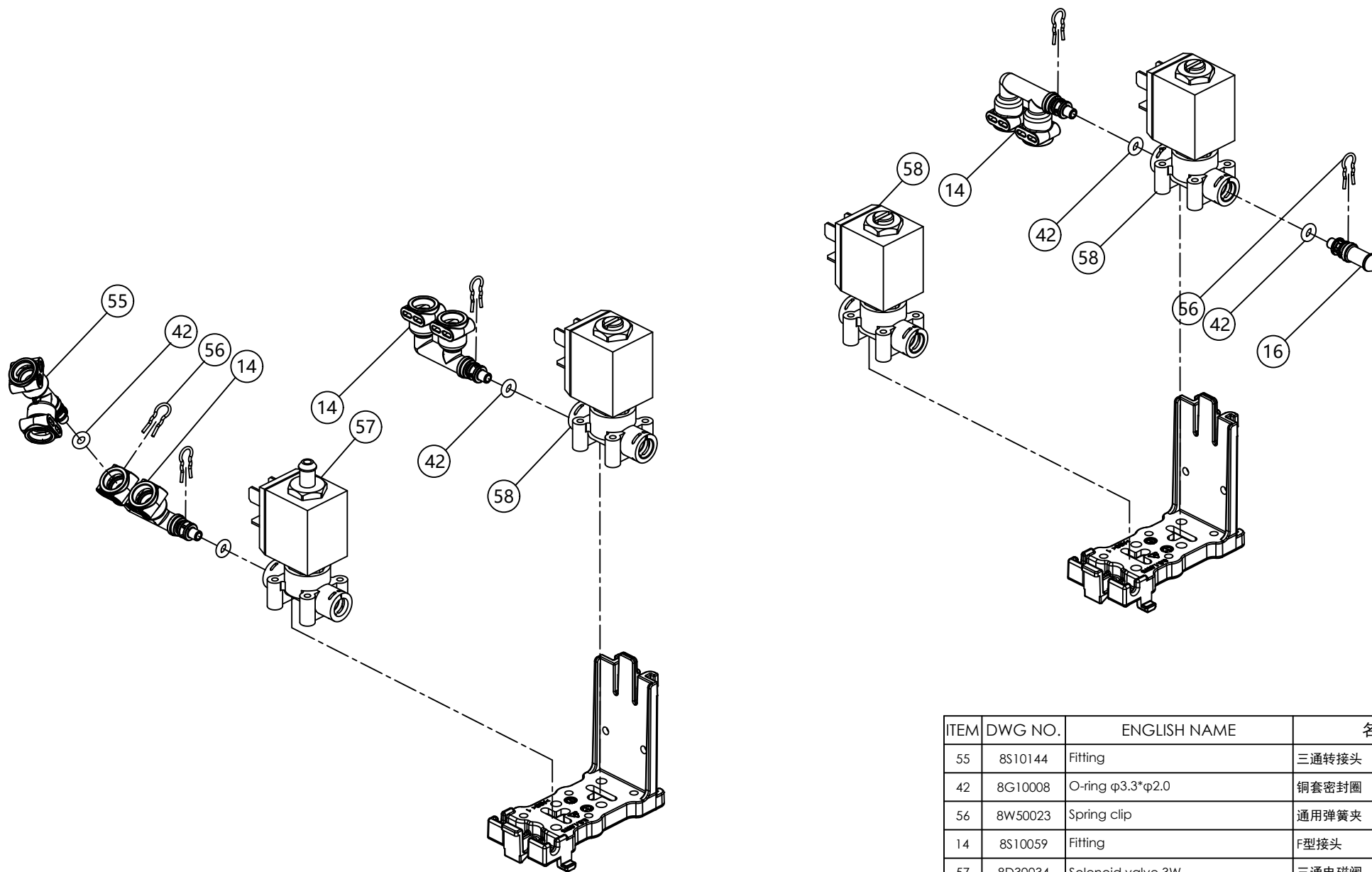
ITEM	DWG NO.	ENGLISH NAME	名称
47	7NN0012	Membrane controller group	稳压阀组
48	8D30051	Pump (220-240V 50Hz)	水泵 (220-240V 50Hz)
	8D30052	Pump (220-240V 60Hz)	水泵 (220-240V 60Hz)



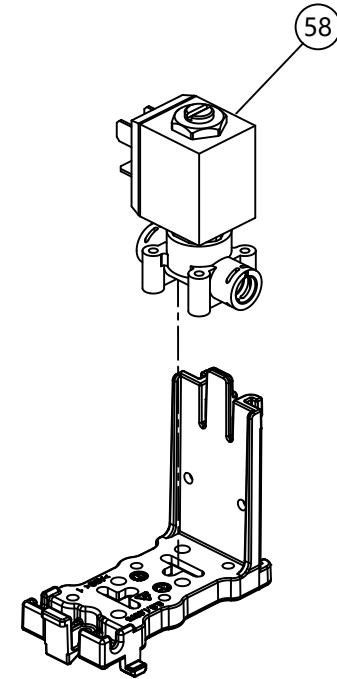
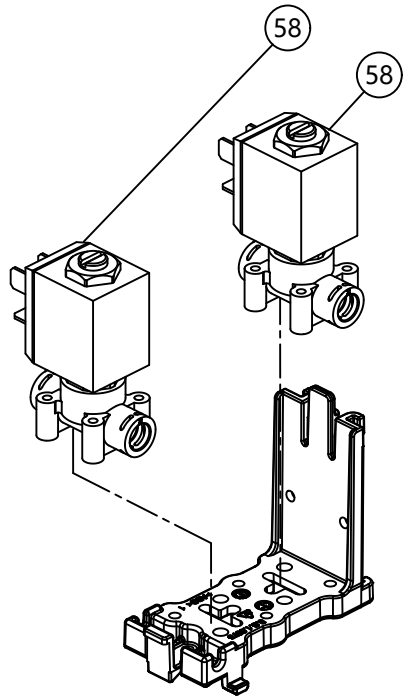
ITEM	DWG NO.	ENGLISH NAME	名称
49	7NN0119	Upper grinder burr assembly	上刀盘组
50	8T10003	Grinder burr	磨豆刀



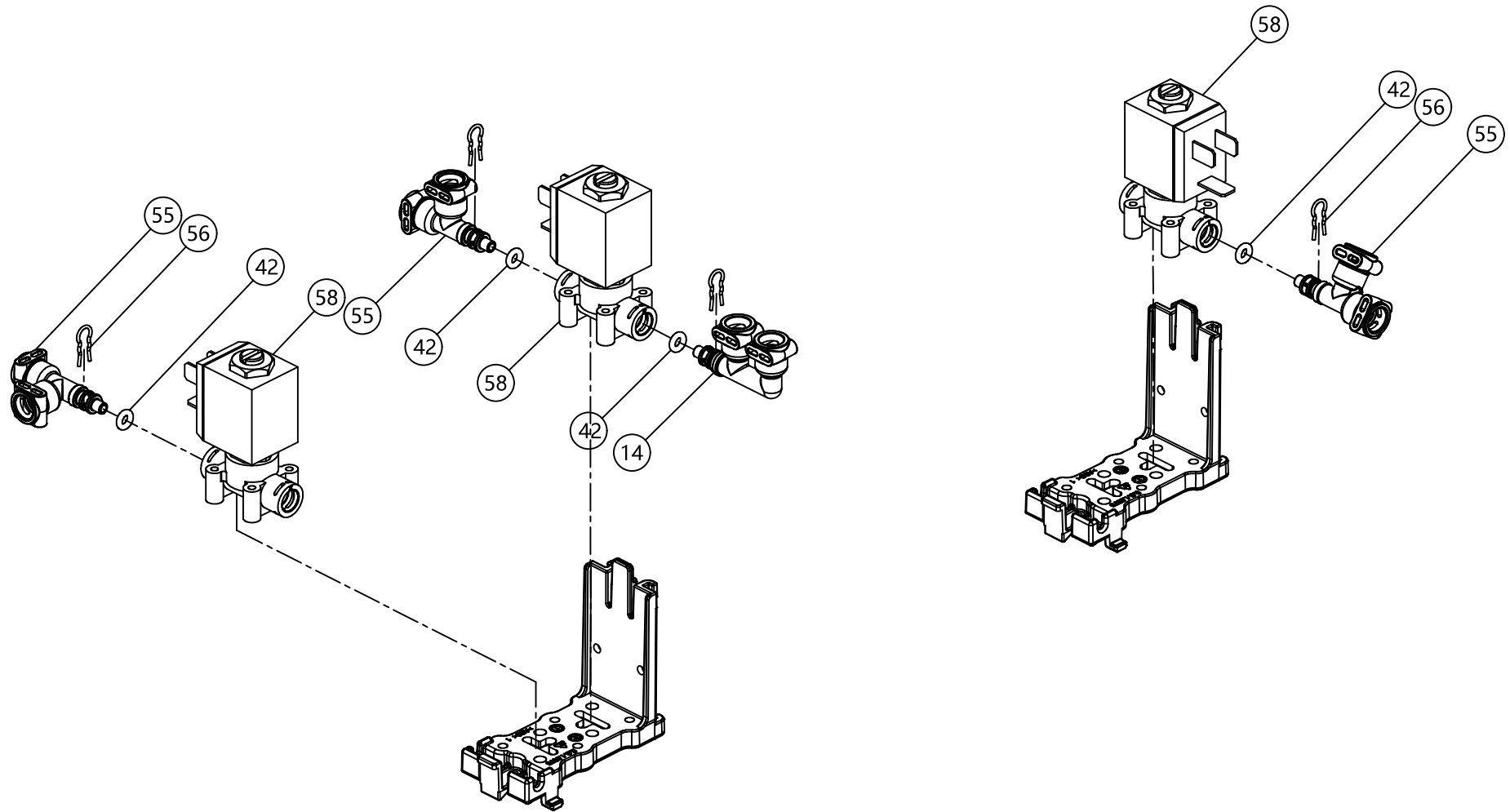
ITEM	DWG NO.	ENGLISH NAME	名称
51	7NN0225	Drive motor system	Minibar传动反馈组
52	7NN0243	Pressure regulating valve	Minibar蓄压阀组
53	8D30013	Reed switch	干簧管
54	8G10005	O-ring $\phi 8.5 \times \phi 1.8$	蓄压阀密封圈



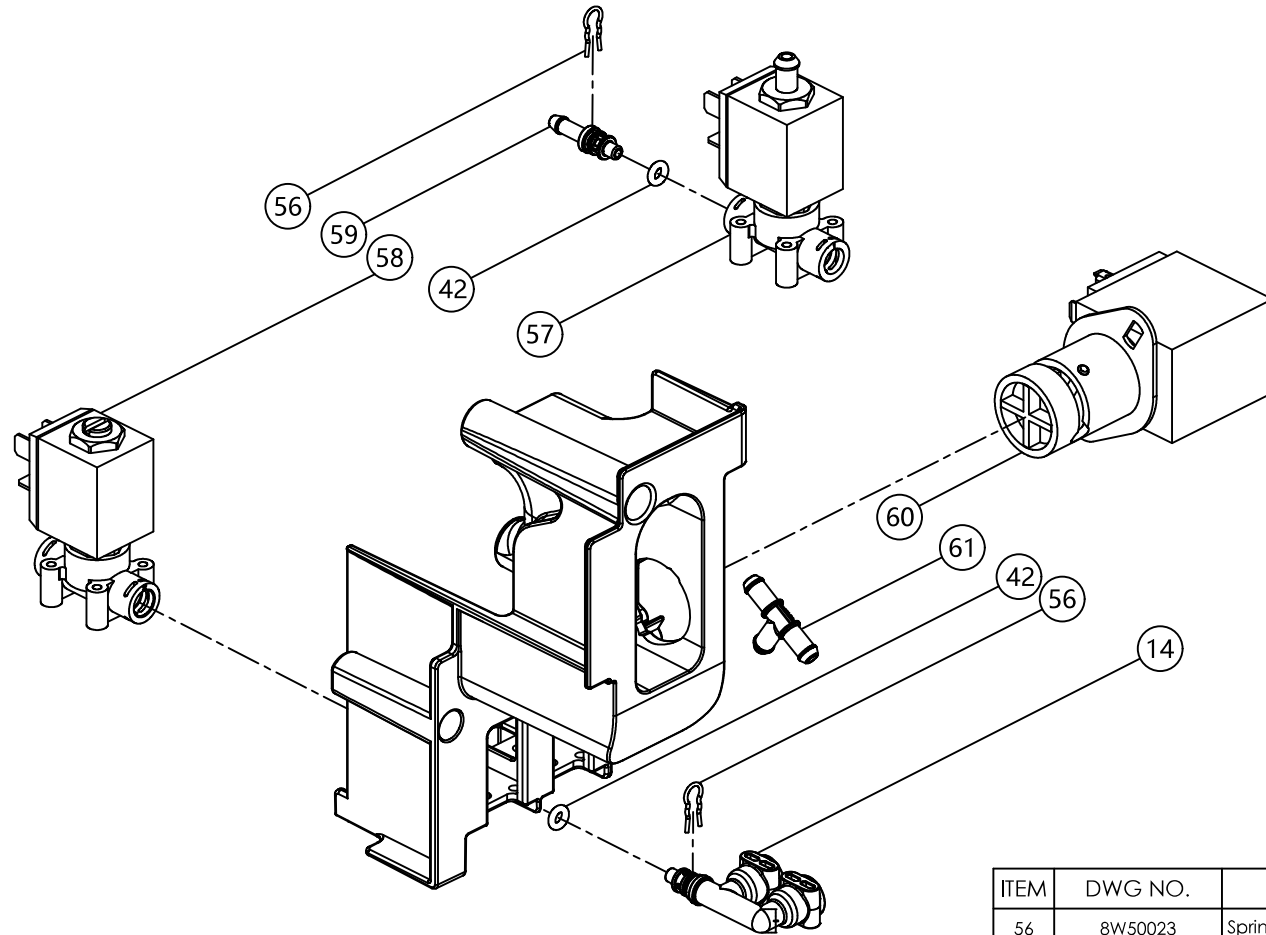
ITEM	DWG NO.	ENGLISH NAME	名称
55	8S10144	Fitting	三通接头
42	8G10008	O-ring $\phi 3.3 \times \phi 2.0$	铜套密封圈
56	8W50023	Spring clip	通用弹簧夹
14	8S10059	Fitting	F型接头
57	8D30034	Solenoid valve 3W	三通电磁阀
58	8D30021	Solenoid valve 2W	两通电磁阀
16	8S10350	Hose connector(5*9)	软管接头 (5*9)



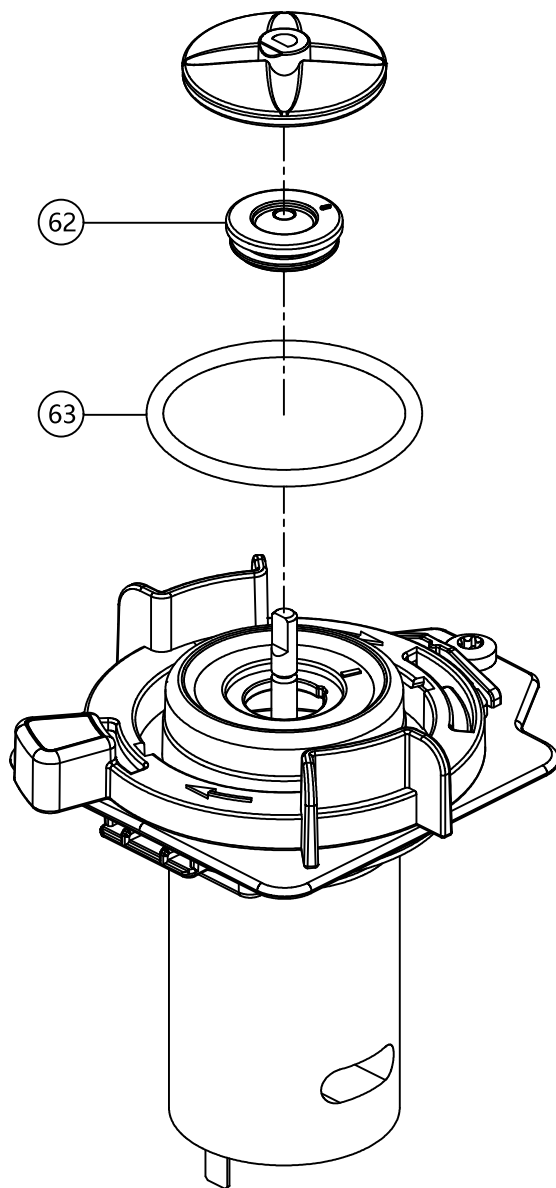
ITEM	DWG NO.	ENGLISH NAME	名称
58	8D30021	Solenoid valve 2W	两通电磁阀



ITEM	DWG NO.	ENGLISH NAME	名称
55	8S10144	Fitting	三通转接头
56	8W50023	Spring clip	通用弹簧夹
42	8G10008	O-ring $\phi 3.3 \times \phi 2.0$	铜套密封圈
58	8D30021	Solenoid valve 2W	两通电磁阀
14	8S10059	Fitting	F型接头



ITEM	DWG NO.	ENGLISH NAME	名称
56	8W50023	Spring clip	通用弹簧夹
59	8S10318	3 Way hose conector	三通软管接头6mm
58	8D30021	Solenoid valve 2W	两通电磁阀
42	8G10008	O-ring $\phi 3.3 \times \phi 2.0$	铜套密封圈
57	8D30034	Solenoid valve 3W	三通电磁阀
60	8D30085V1	Pinch valve	夹管阀
61	8S10318	3 way hose connector	三通软管接头6mm
14	8S10059	Fitting	F型接头



ITEM	DWG NO.	ENGLISH NAME	名称
62	8G20030	Seal ring of mixer moto	F2粉料搅拌机电机轴密封圈
63	8G10026	O-ring $\phi 37.77 \times \phi 2.62$	粉料搅拌室密封圈