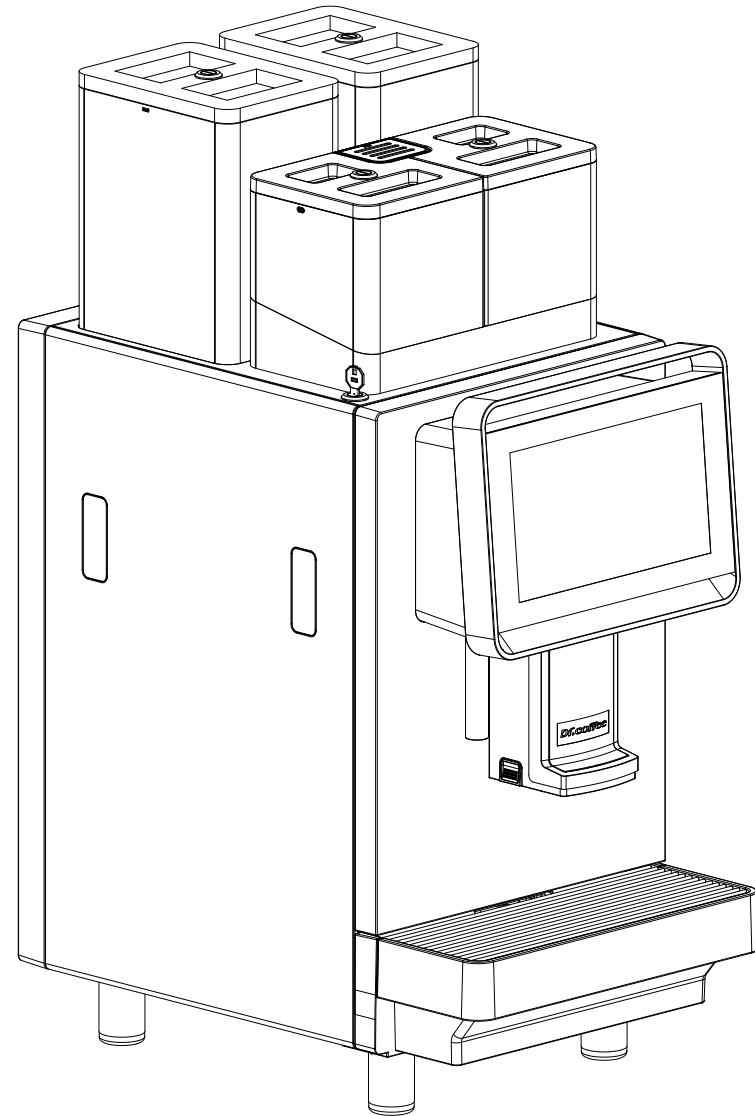


F2

Explosive view

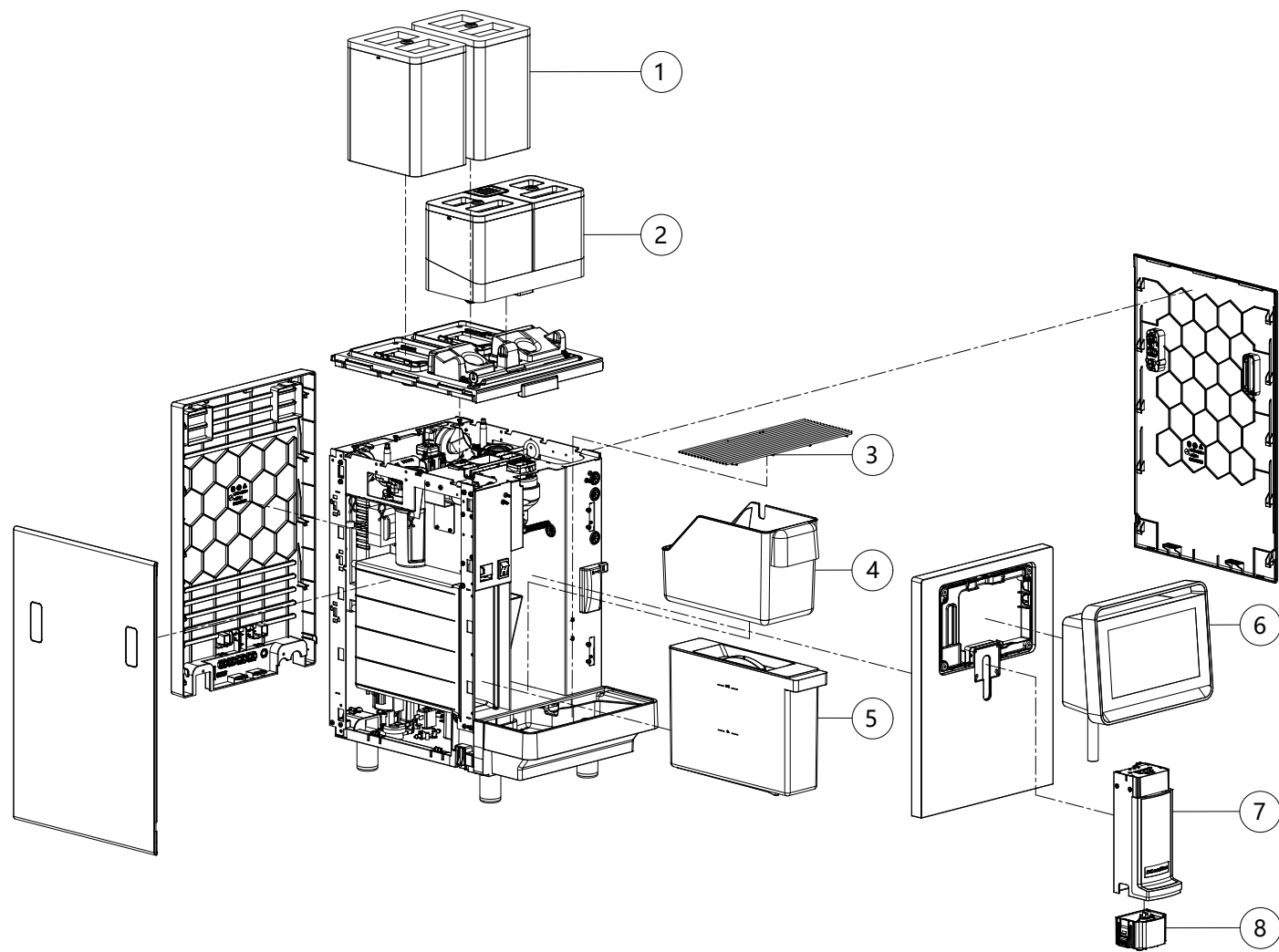
ISSUE: 02



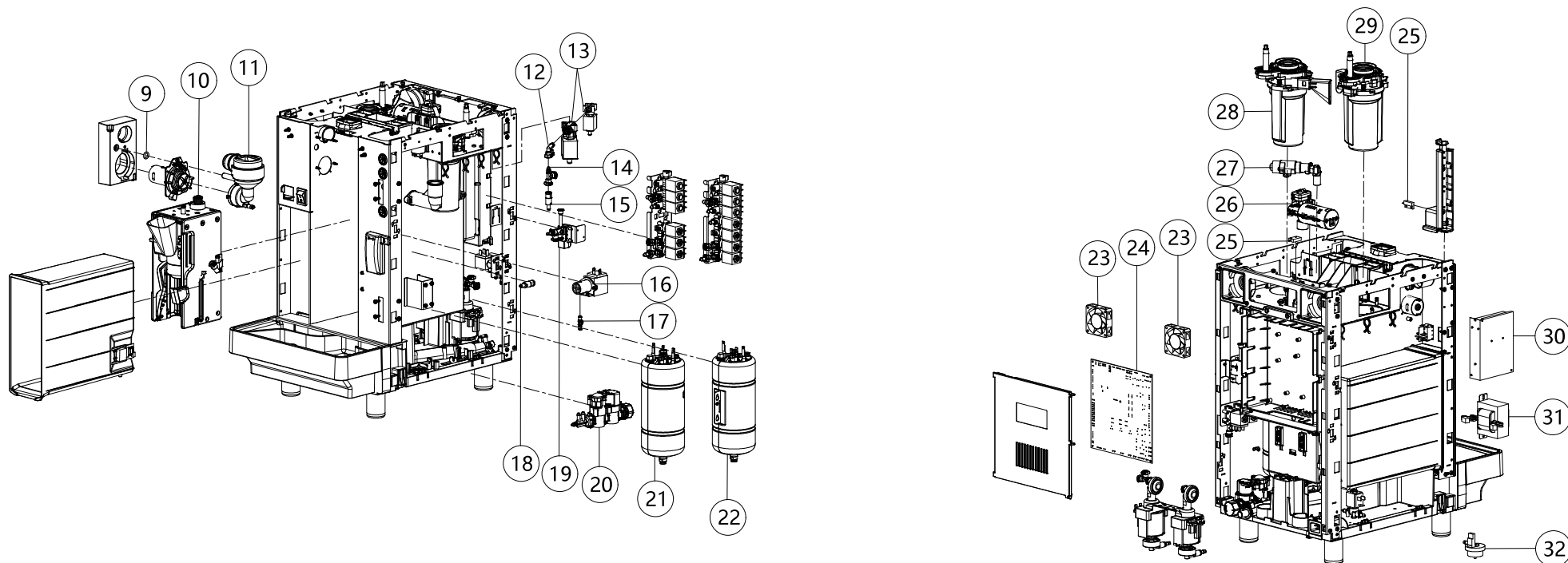
Date:2022/10/26

Content

ITEM	NAME	PAGE
1	Appearance group.....	01
2	Body holder.....	02
3	Coffee bean&powder box.....	03
4	Water tank group.....	04
5	Water tank shell group.....	05
6	HMI assembly.....	06
7	Guide rail assembly.....	07
8	Integrated beverage group.....	08
9	Brew group.....	09
10	Boiler group.....	10
11	Pump group.....	11
12	Ginder group.....	12
13	Pressure regulating valve.....	13
14	Solenoid valve group.....	14
15	Air inlet valve group.....	15
16	Blender motor group.....	16

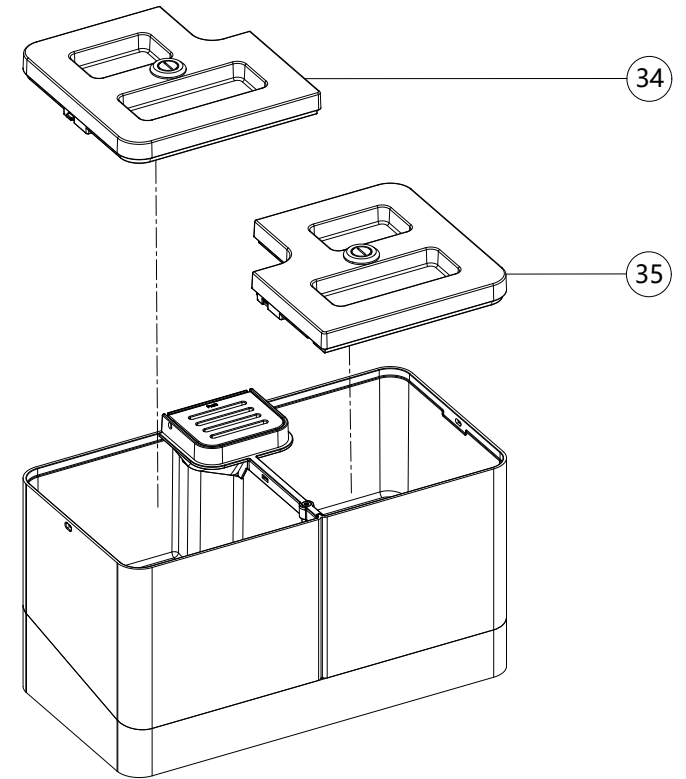
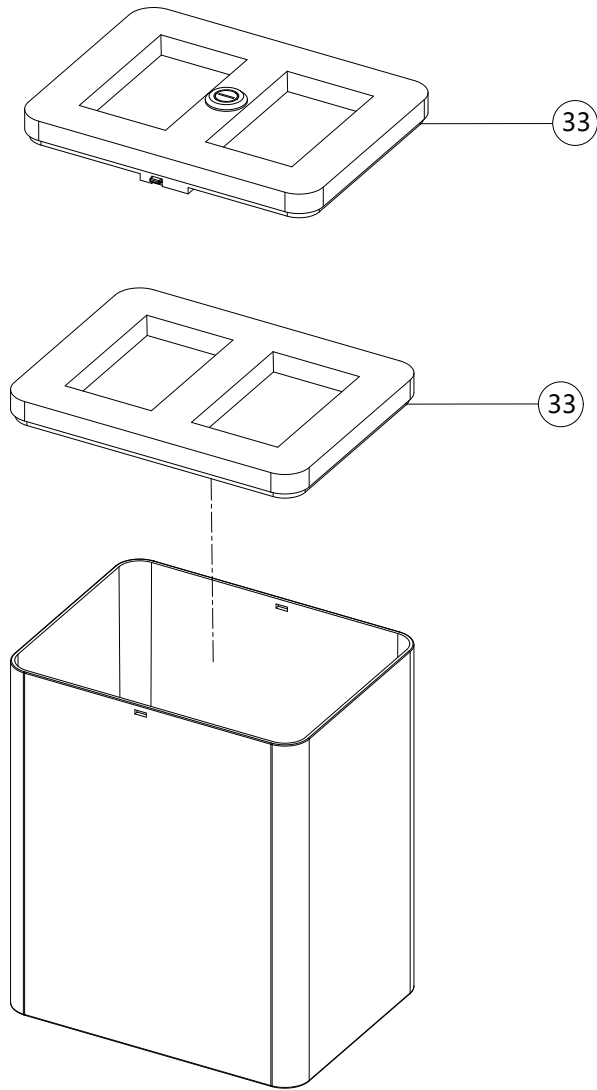


ITEM	DWG NO.	ENGLISH NAME	名称
1	7NN0049	Coffee bean box	F2豆盒组
	7NN0138	Coffee bean box(key)	F2豆盒组 (锁)
2	7NN0073	powder box	F2Plus粉盒组
3	8W60017	Stainless steel Cup tray	不锈钢托杯盘
4	8S10241	Coffee ground box	F2渣盒
5	7NN0045	Water tank	F2水箱组
6	7NN0044	HMI assembly	F2 HMI组
7	7NN0043	Guide rail assembly	Minibar导轨组
8	7NN0244	Integrated beverage group (single)	单奶沫器饮品出口组
	7NN0022	Integrated beverage group (double)	双奶沫器饮品出口组

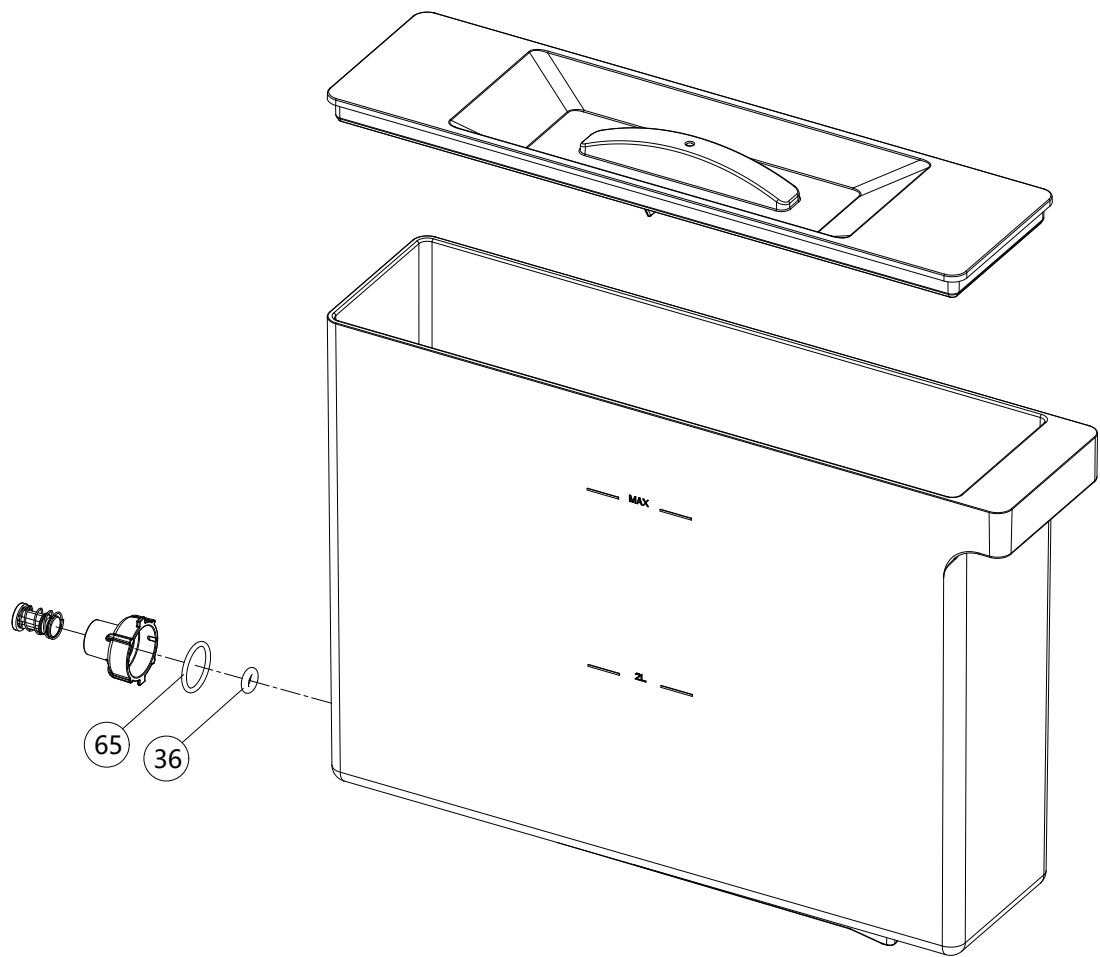


ITEM	DWG NO.	ENGLISH NAME	名称
9	8G10018	O-ring φ9.5*φ2.65	F2搅拌器进水密封圈
10	7NN0040	Brew group	F2冲泡器
11	7NN0070	Blender chamber group	F2 plus 搅拌室组
12	8S10059	Fitting	F型接头
13	8D30029	Solenoid valve	泄压电磁阀
	8D30034	Solenoid valve 3W	三通电磁阀
14	8S10144	Fitting	三通转接头
15	7NN0069	15 Bar safety valve	15Bar 安全阀
16	8D30085	Pinch valve	夹管阀
17	8S10319	3 way hose connector	三通软管接头9mm
18	7NN0019	5 Bar safety valve	5Bar 安全阀
19	7NN0192	Air inlet valve group	F2H气阀组
20	7NN0199	Water inlet assembly	F2自动进水阀组
21	7NN0185	Steam boiler group	蒸汽锅炉组
22	7NN0186	Hot water boiler group	热水锅炉组

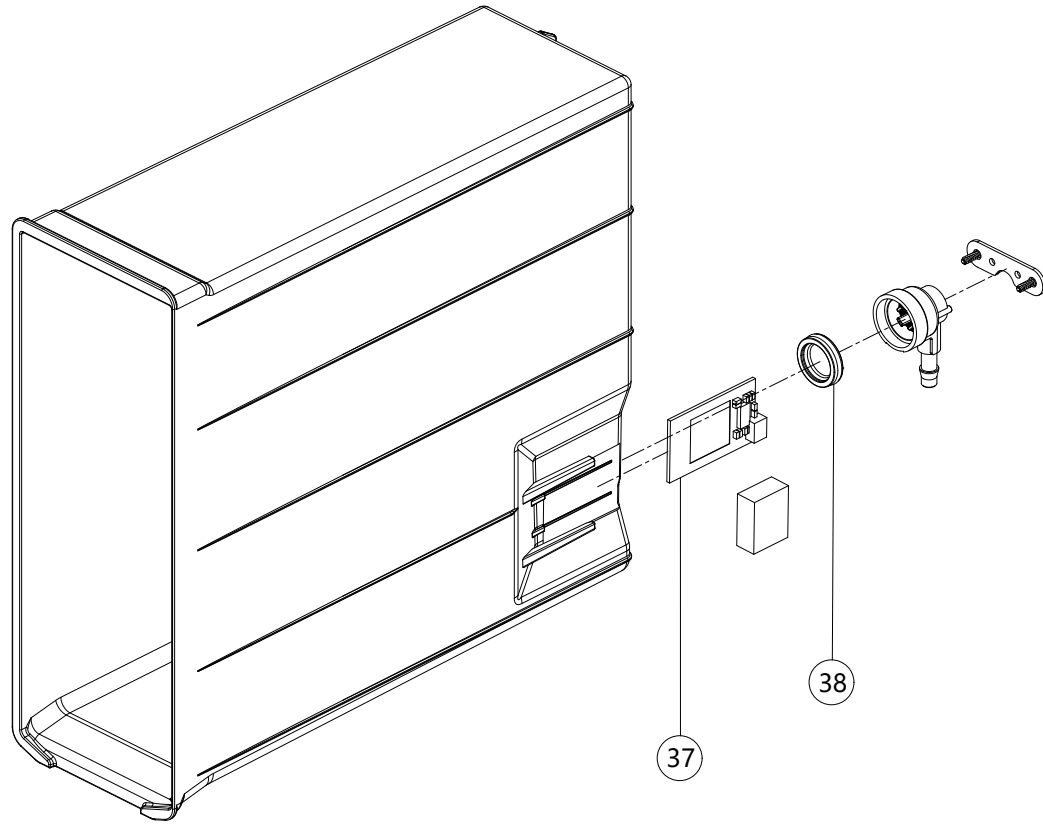
ITEM	DWG NO.	ENGLISH NAME	名称
23	8D30130	Fan	风扇
24	8D10026V1	Control PCBA	F2主控板
25	8D30013	Reed switch	干簧管
26	7NN0047	Drive motor system	F2传动反馈组
27	7NN0050	Pressure regulating valve	F2蓄压阀组
28	7NN0042	Right Ginder group	F2右磨豆组
29	7NN0041	Left Ginder group	F2左磨豆组
30	8D30033	Switching power supply	明纬开关电源50W
31	8D30037	Transformer	变压器
32	8D30082	Flowmeter 0° (2.0mm)	流量计0度 (2.0mm)



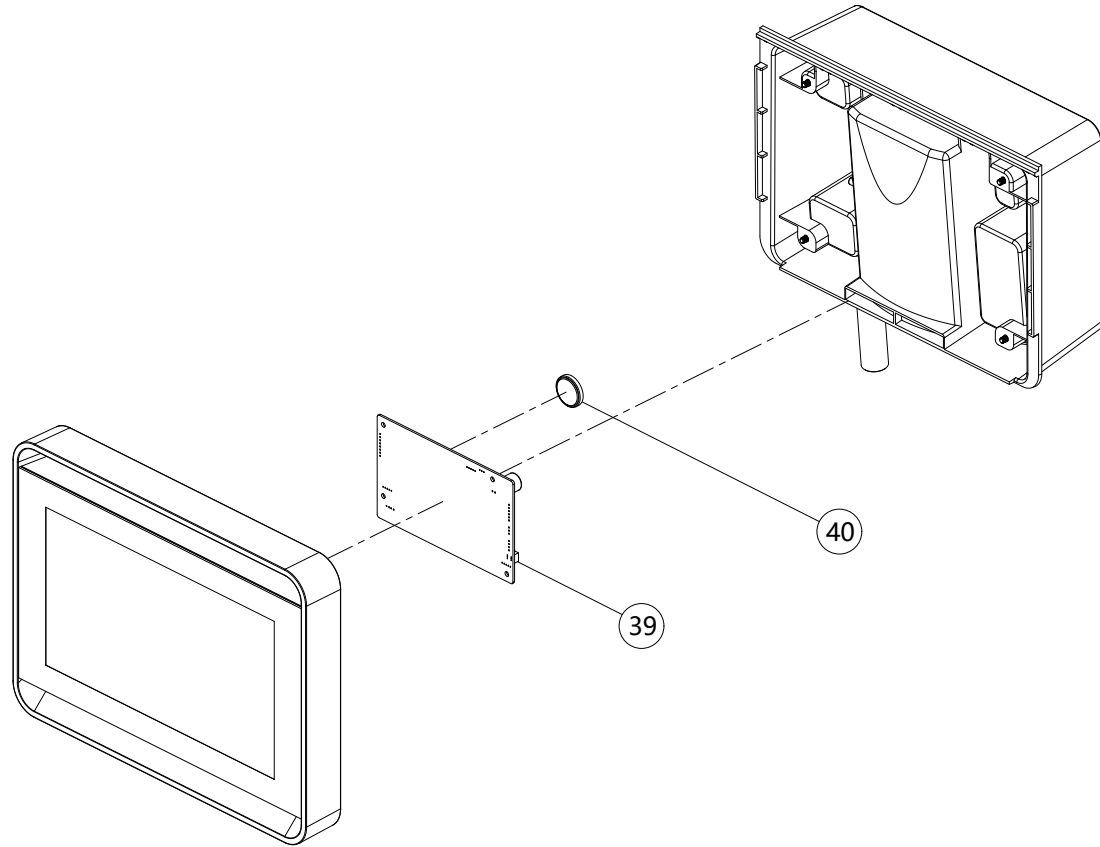
ITEM	DWG NO.	ENGLISH NAME	名称
33	7NN0137	Bean container cover (key)	豆盒盖组(锁)
	8S10201	Bean container cover	豆盒盖
34	7NN0071	Powder container cover-L	左粉盒盖组
35	7NN0072	Powder container cover-R	右粉盒盖组



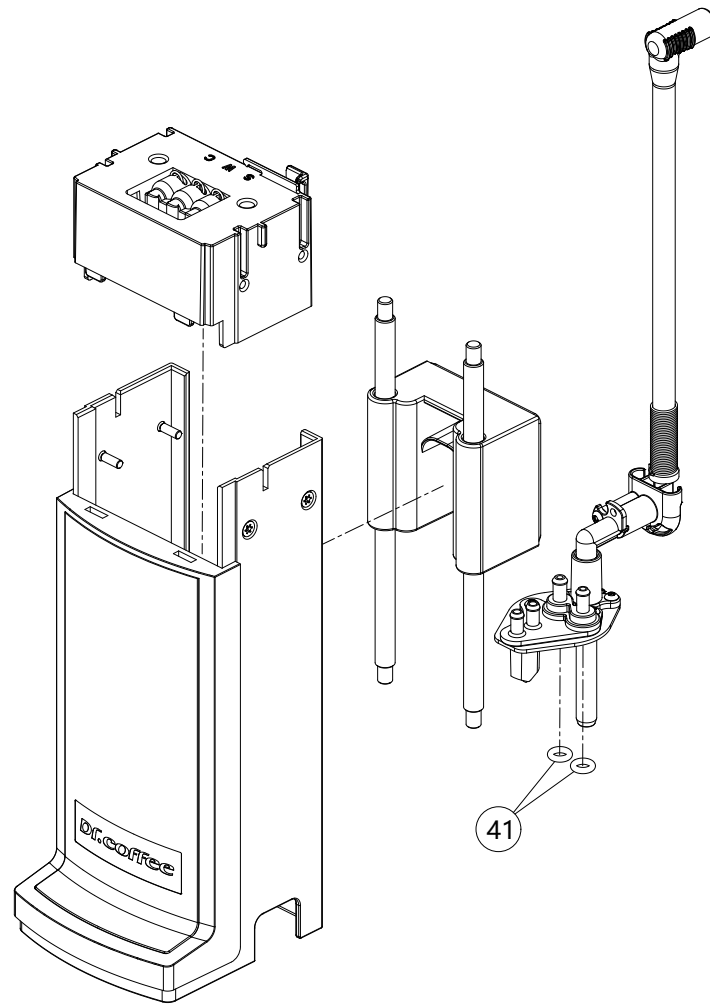
ITEM	DWG NO.	ENGLISH NAME	名称
36	8G10001	O-ring $\phi 5.0 \times \phi 3.0$	水箱止逆阀密封圈
65	8G20068	O-ring $\phi 18 \times \phi 2.0$	水箱出水口密封圈



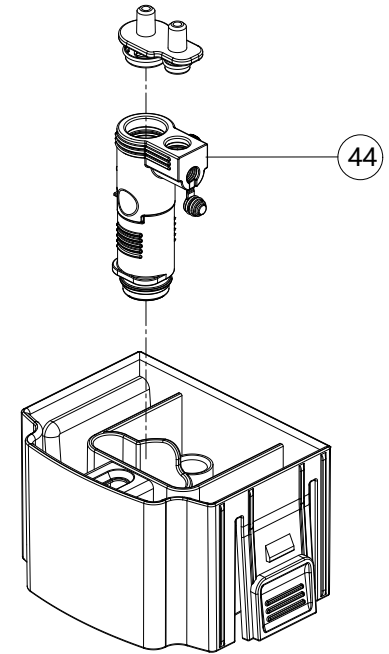
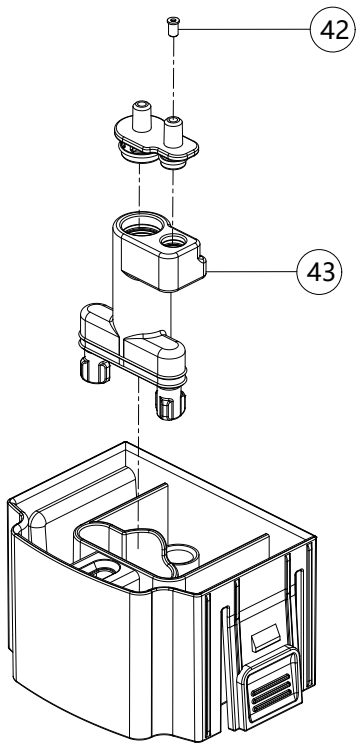
ITEM	DWG NO.	ENGLISH NAME	名称
37	8D10027	Water level detection PCBA	水位检测PCB
38	8G20014	Y-ring $\phi 22.67 * \phi 13.90$	导水座Y型密封圈



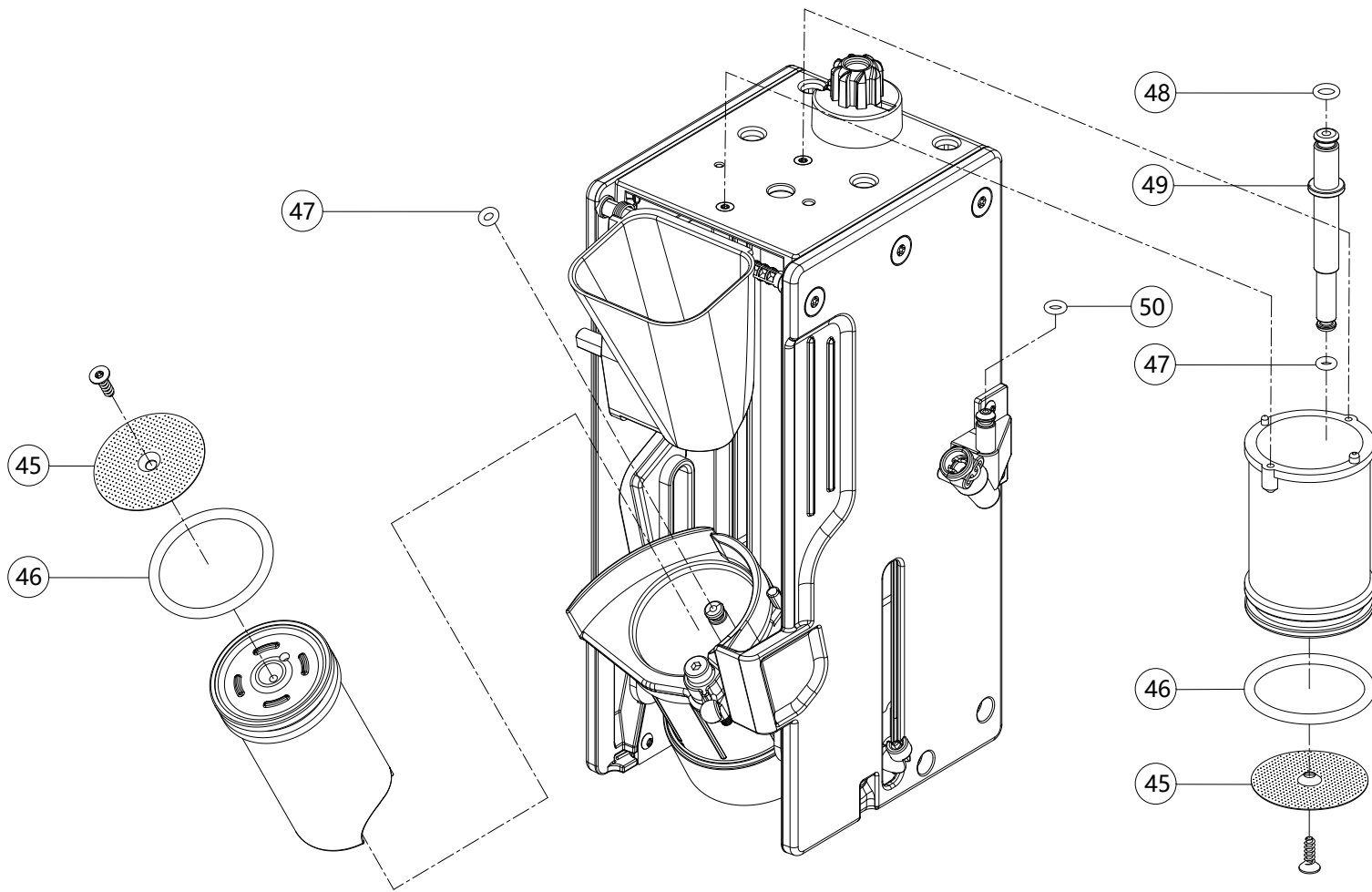
ITEM	DWG NO.	ENGLISH NAME	名称
39	8D10030	HMI PCBA	HMI板
40	8D30064	Battery (CR-2032/5BC)	纽扣电池



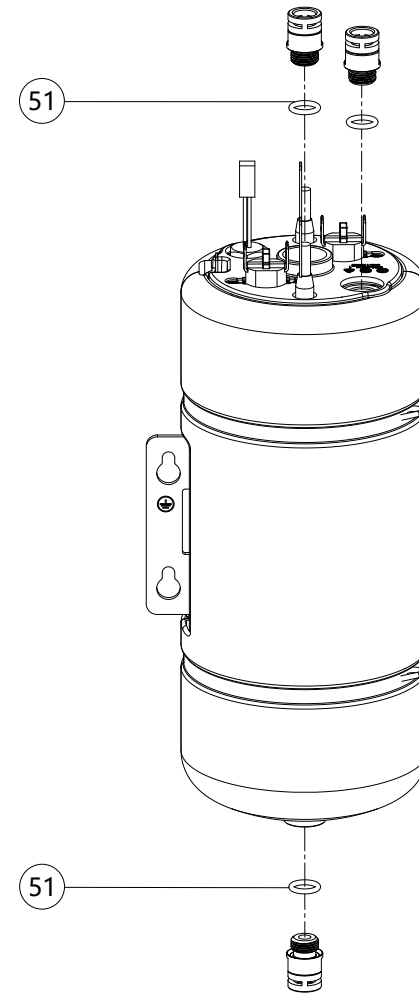
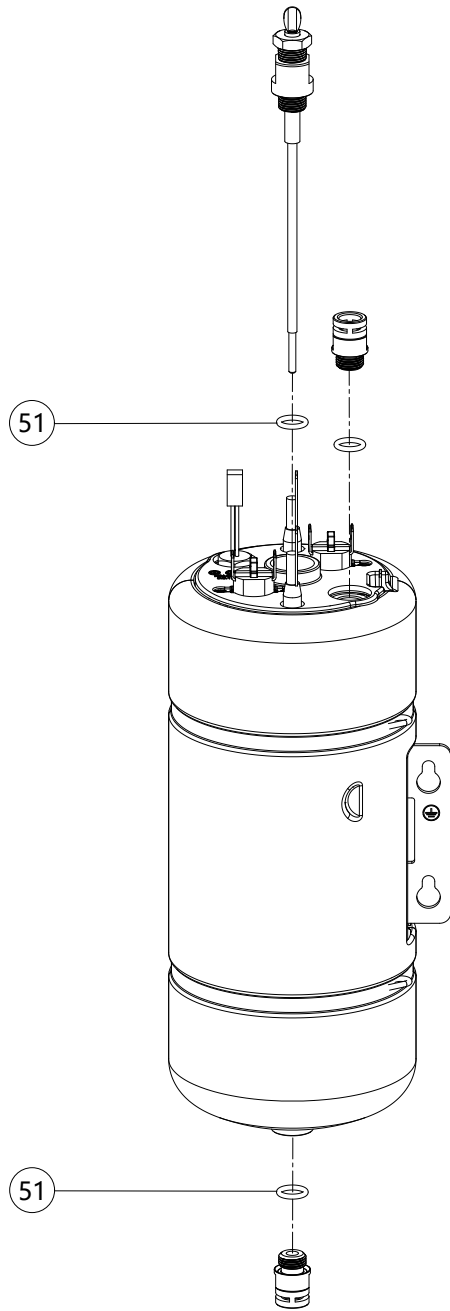
ITEM	DWG NO.	ENGLISH NAME	名称
41	8G10014	O-ring $\phi 5.0 \times \phi 2.5$	奶沫器密封圈



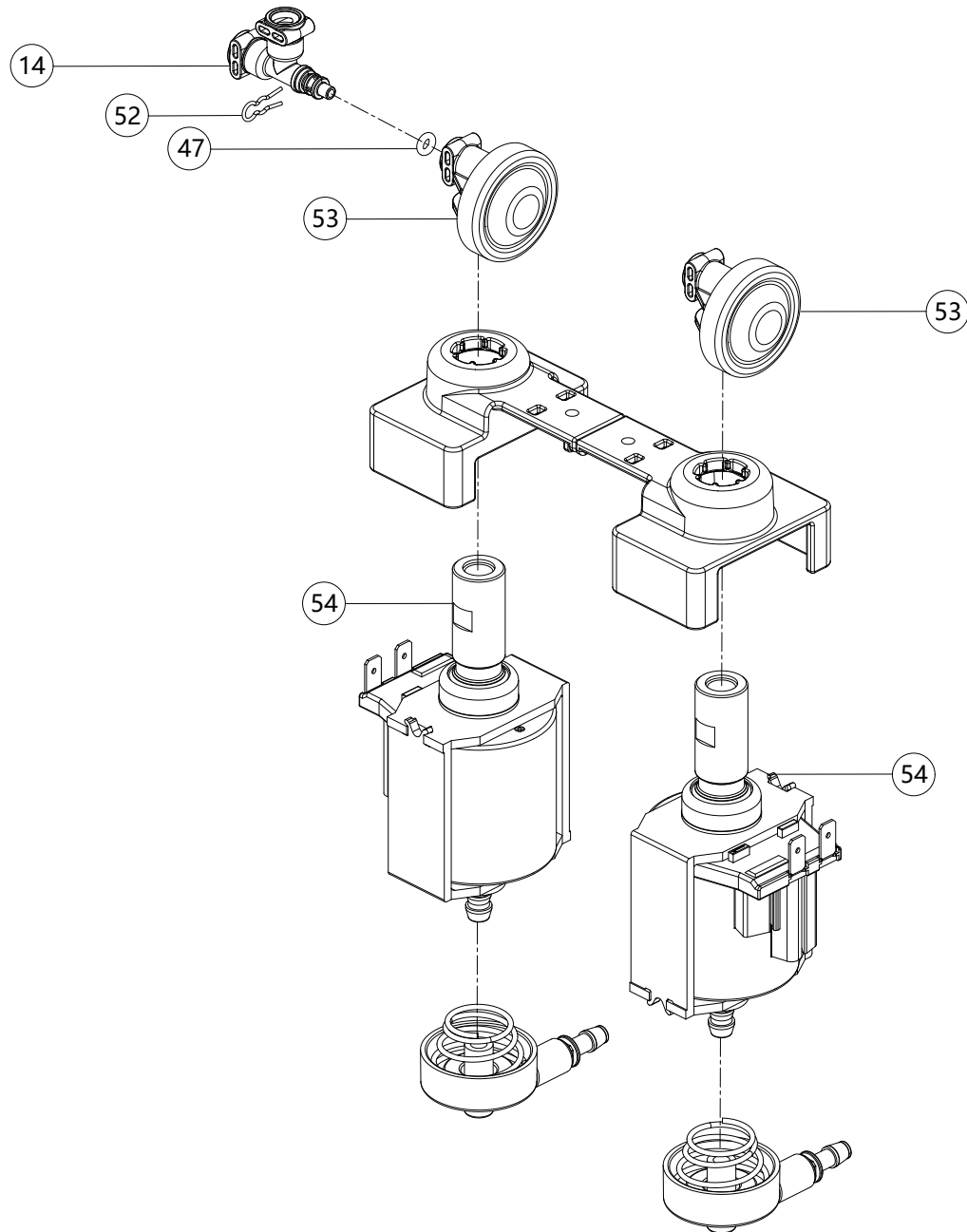
ITEM	DWG NO.	ENGLISH NAME	名称
42	8W40041	Orifice	牛奶限流孔
43	8G20018	Foamer (Double)	双奶沫器
44	8G20048	Foamer (Single)	奶沫器



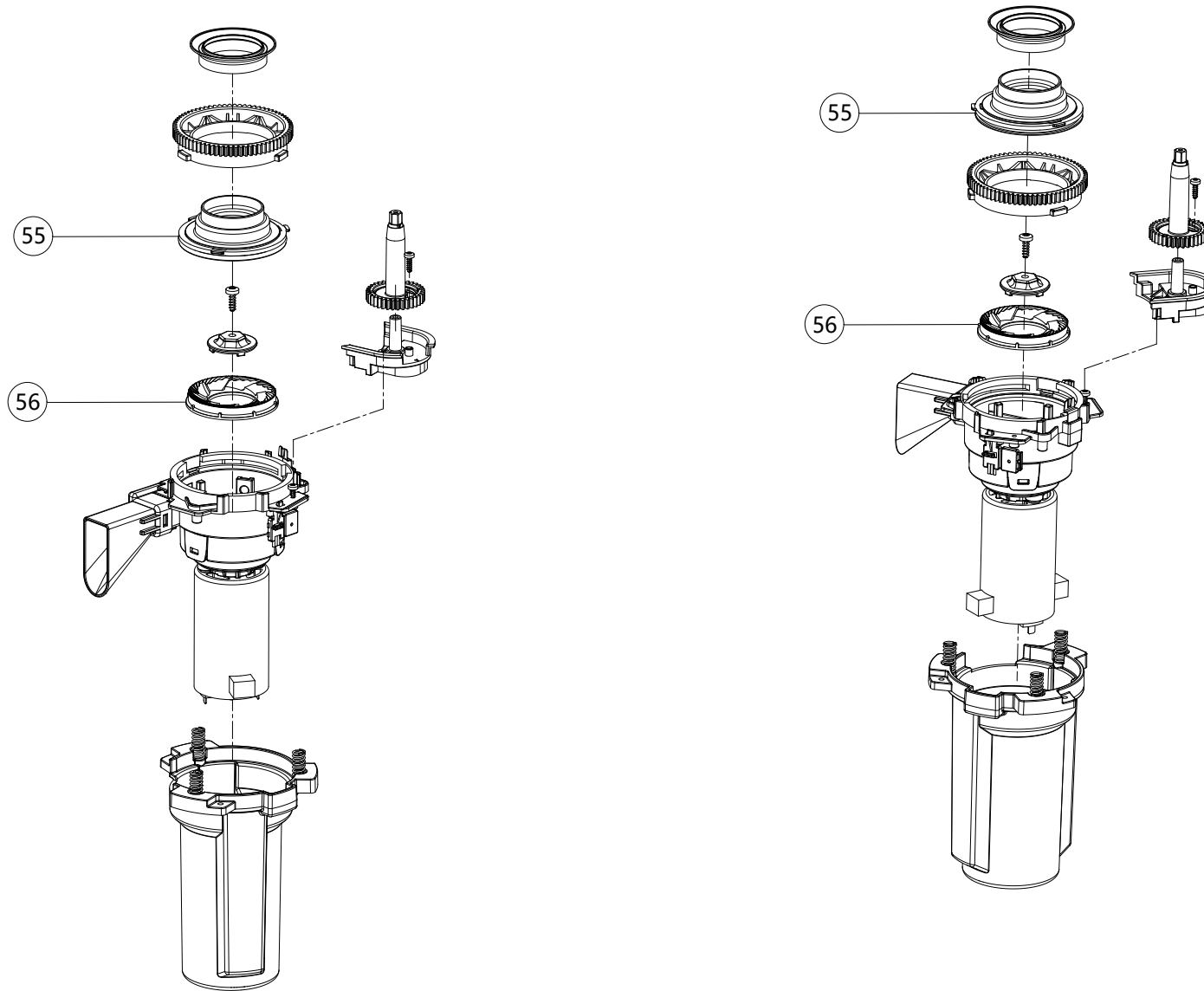
ITEM	DWG NO.	ENGLISH NAME	名称
45	8W60011	Coffee Filter	冲煮头过滤网
46	8G10004	O-ring $\phi 37.69 \times \phi 3.53$	冲煮头密封圈
47	8G10008	O-ring $\phi 3.3 \times \phi 2.0$	铜套密封圈
48	8G10013	O-ring $\phi 5.6 \times \phi 1.8$	冲泡器咖啡出口密封圈
49	8S10171	Coffee outlet	冲泡器咖啡出口
50	8G10012	O-ring $\phi 4 \times \phi 1.8$	导向轴密封圈



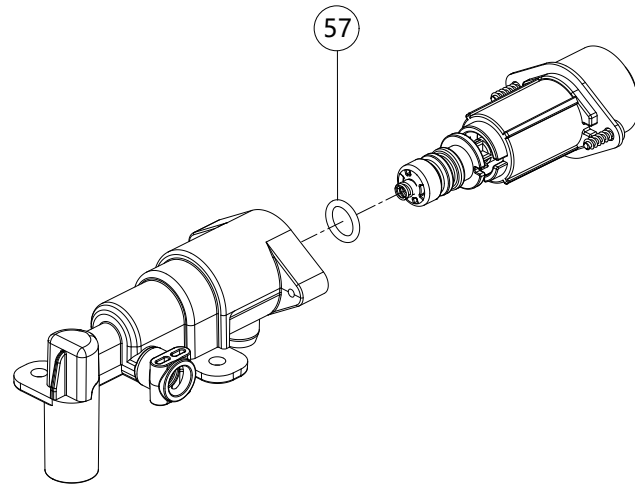
ITEM	DWG NO.	ENGLISH NAME	名称
51	8G10024	O-ring $\phi 9.5 \times \phi 1.5$	锅炉接头密封圈



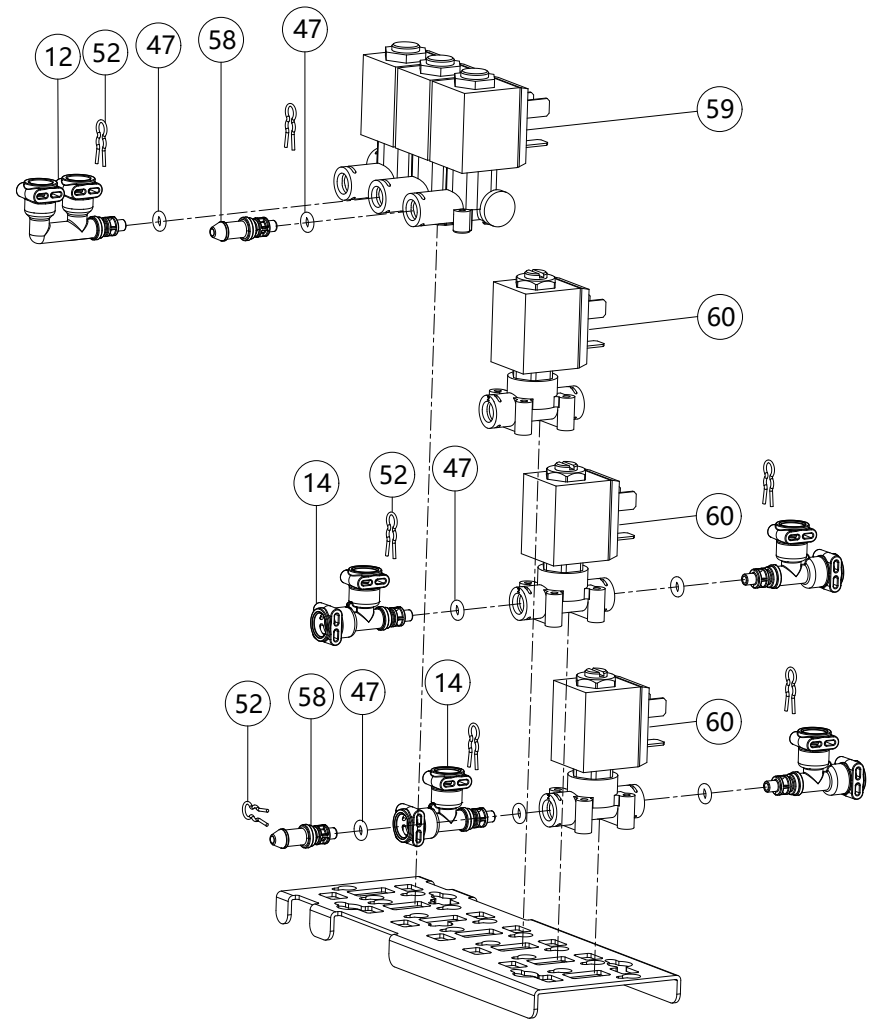
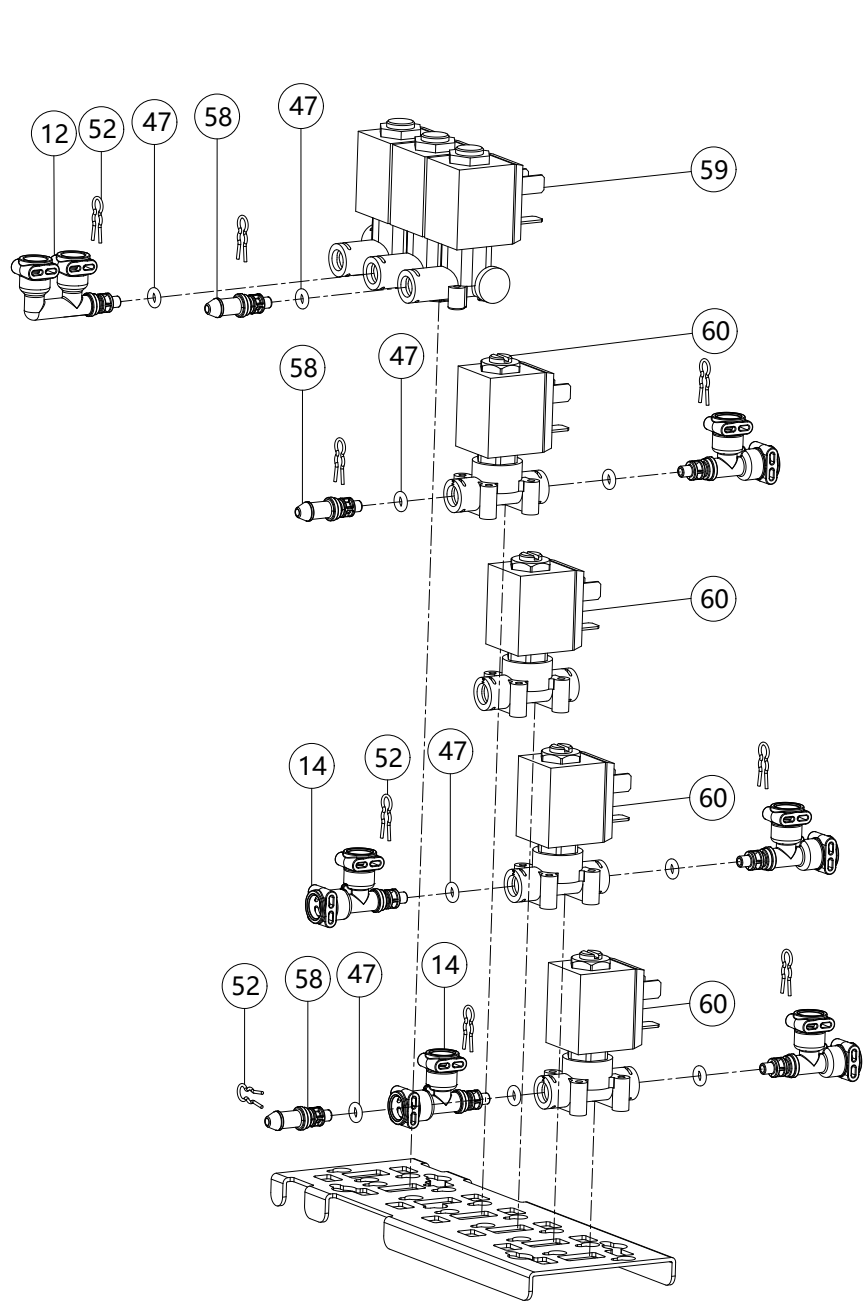
ITEM	DWG NO.	ENGLISH NAME	名称
14	8S10144	Fitting	三通转接头
52	8W50023	Spring clip	通用弹簧夹
47	8G10008	O-ring $\phi 3.3 * \phi 2.0$	铜套密封圈
53	7NN0012	Membrane controller group	稳压阀组
54	8D30051	Pump (220-240V 50Hz)	水泵 (220-240V 50Hz)
	8D30052	Pump (220-240V 60Hz)	水泵 (220-240V 60Hz)



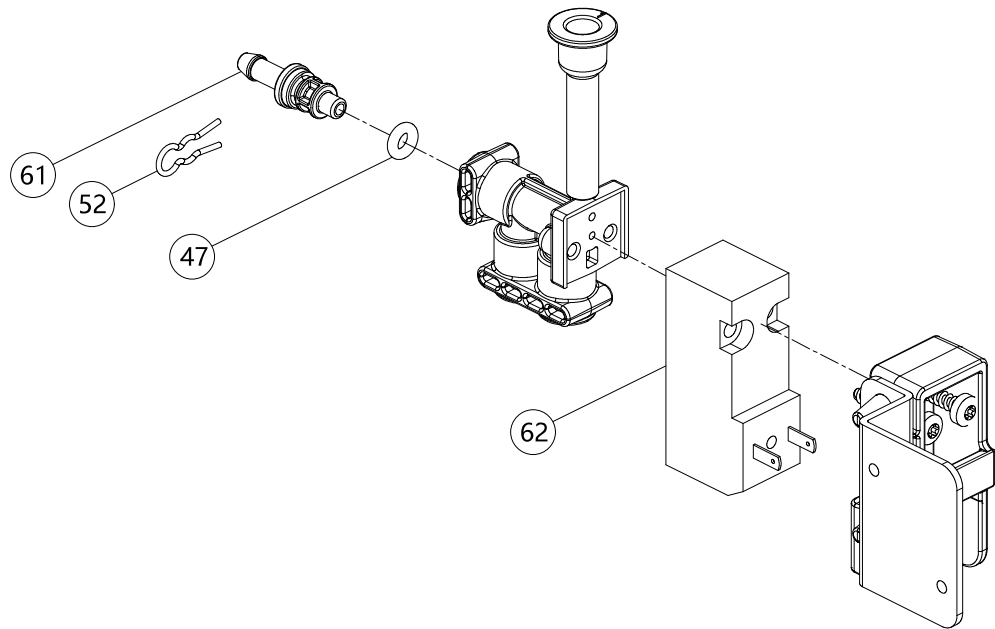
ITEM	DWG NO.	ENGLISH NAME	名称
55	7NN0119	Upper grinder burr assembly	上刀盘组
56	8T10003	Grinder burr	磨豆刀



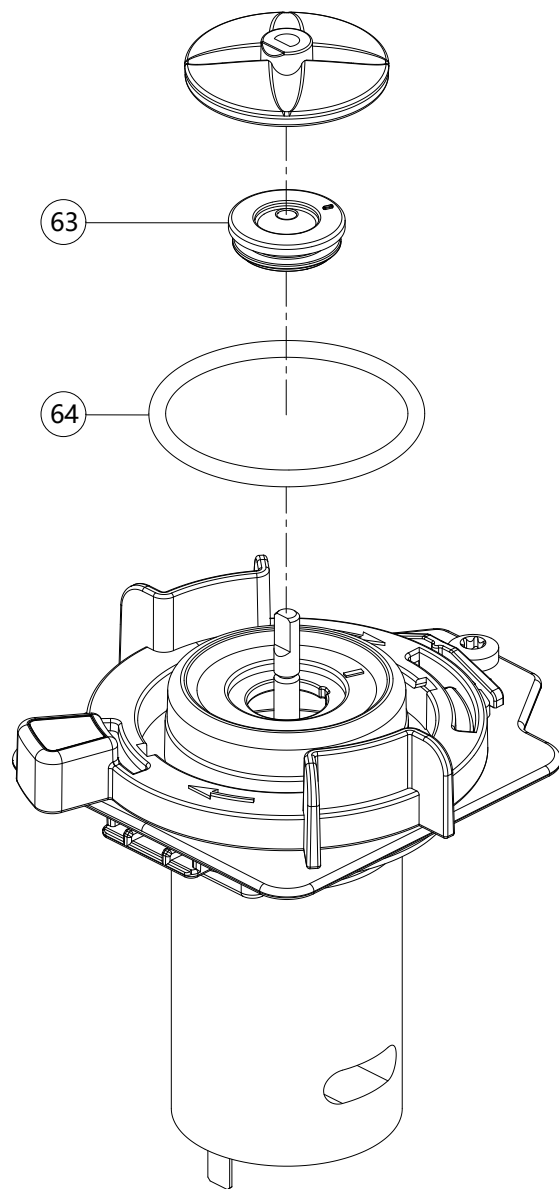
ITEM	DWG NO.	ENGLISH NAME	名称
57	8G10005	O-ring $\phi 8.5 \times \phi 1.8$	蓄压阀密封圈



ITEM	DWG NO.	ENGLISH NAME	名称
12	8S10059	Fitting	F型接头
52	8W50023	Spring clip	通用弹簧夹
47	8G10008	O-ring $\phi 3.3 \times \phi 2.0$	铜套密封圈
58	8S10350	Hose connector (5*9)	软管接头 (5*9)
59	8D30035	Combination valve	三头排阀
60	8D30021	Solenoid valve 2W	两通电磁阀
14	8S10144	Fitting	三通转接头



ITEM	DWG NO.	ENGLISH NAME	名称
61	8S10342	Hose connector(3*6)	软管接头 (3*6)
52	8W50023	Spring clip	通用弹簧夹
47	8G10008	O-ring $\phi 3.3*\phi 2.0$	铜套密封圈
62	8D30090	Air inlet valve	气阀



ITEM	DWG NO.	ENGLISH NAME	名称
63	8G20030	Seal ring of mixer moto	F2粉料搅拌电机轴密封圈
64	8G10026	O-ring $\phi 37.77 \times \phi 2.62$	粉料搅拌室密封圈