

**Hornos Mixtos
Fours Mixtes
Combi Ovens
HeiBluftdämpfer
Forno Misti**

Modelos:

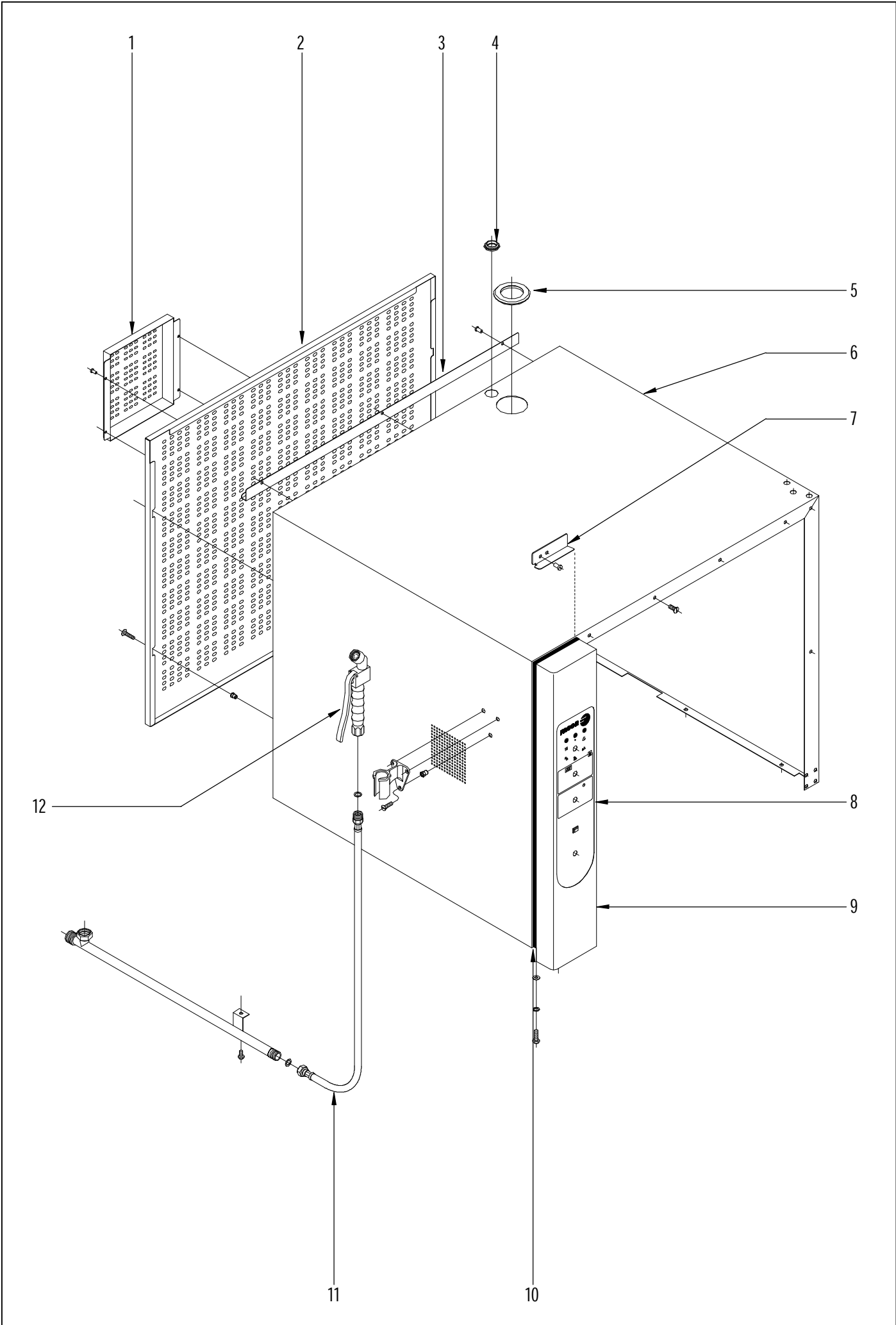
**HEI-6/11
HEM-6/11
HEP-6/11**

**HEI-10/11
HEM-10/11
HEP-10/11**

Febrero 2008 February

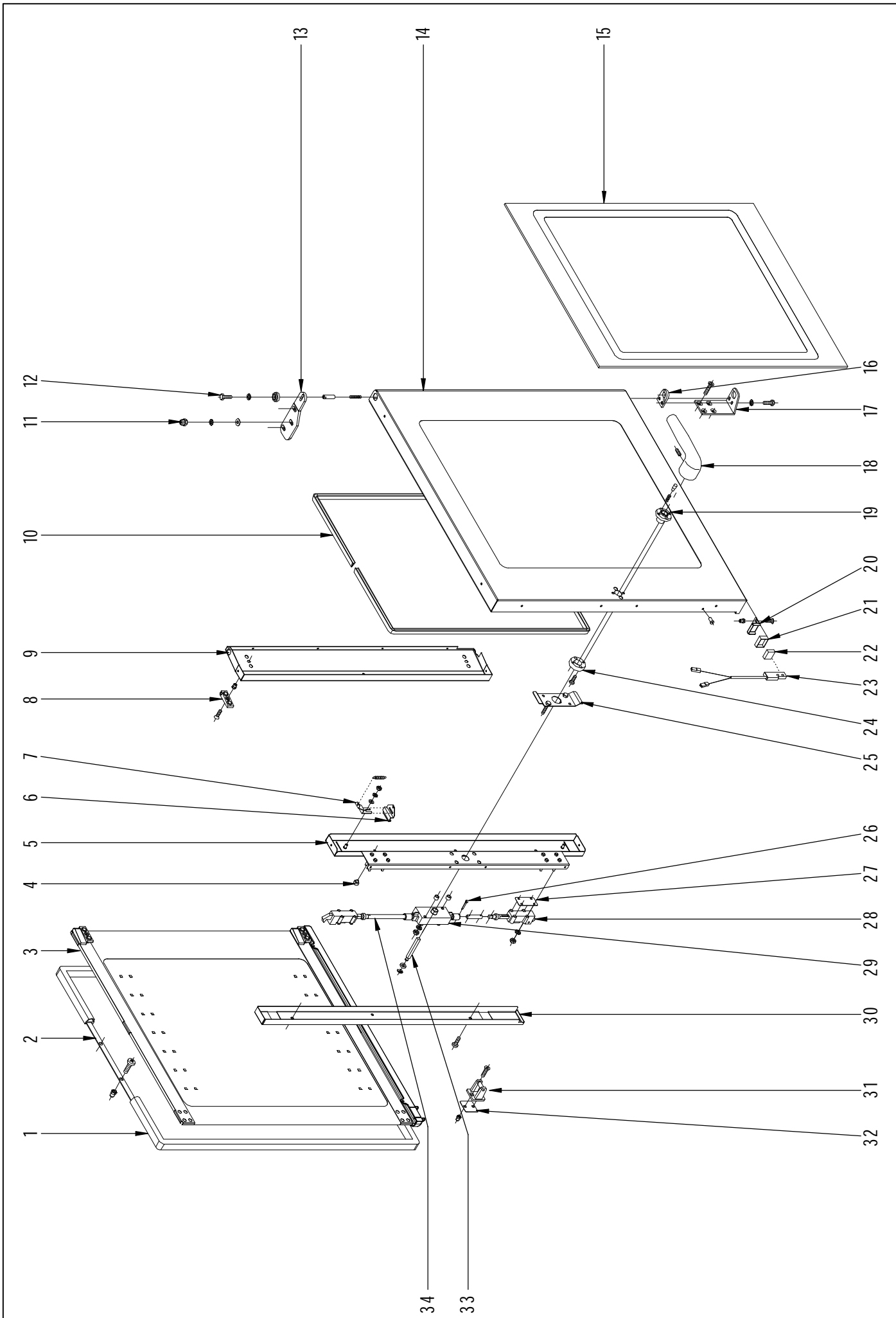


Fagor Industrial



N plano	Firma	Fecha	Aparato	MUEBLE	Lamina	Fagor Industrial S.Coop. FAGOR
C-1959	<i>[Signature]</i>	2008-02	HORNOS HEI; HEM; HEP 6/11-10/11		1	O/nate

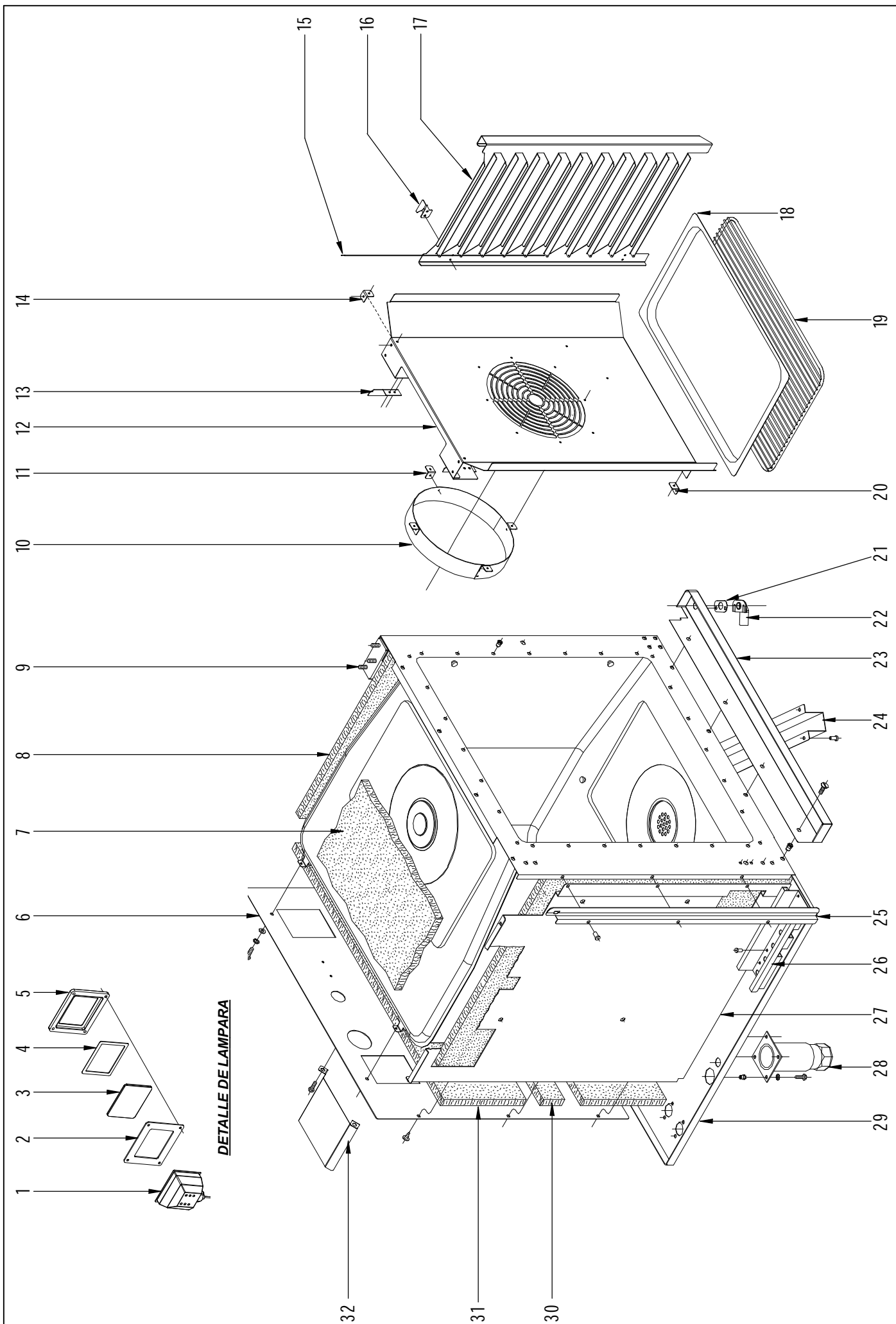
MOD.		HORNOS		ZONA	MUEBLE			PLANO	C-1959	
ITEM	CODIGO	DENOMINACION	TEXTO	HEI 6/11	HEM 6/11	HEP 6/11	HEI 10/11	HEM 10/11	HEP 10/11	NOTAS
1	R092822000	TAPA VENTILACION MOTOR	FAN MOTOR COVER	1	1	1	1	1	1	
	Q221342000	REMACHE EXAGONAL M5	HEXAGONAL RIVET M5	4	4	4	4	4	4	
2	R662816000	PANEL POSTERIOR EXT HM-6-11	REAR PANEL EXT HM-6-11	1	1	1	-	-	-	
2	R672812000	PANEL POSTERIOR EXT HM-10-11	REAR PANEL EXT HM-10-11	-	-	-	1	1	1	
	Q221342000	REMACHE EXAGONAL M5	HEXAGONAL RIVET M5	4	4	4	4	4	4	
	Q152038000	TORNILLO AMARRE M5X30	FASTENING BOLT M5X30	4	4	4	4	4	4	
3	R672811000	CANALETA RECOGEAGUAS	WATER COLLECTOR PIPE	1	1	1	1	1	1	
	Q412002000	REMACHE AVINOX Ø4x10MM	RIVET AVINOX Ø4x10MM	3	3	3	3	3	3	
4	N503017000	SOPORTE TERMOSTATO 1001713	THERMOSTAT SUPPORT 1001713	1	1	1	1	1	1	
5	R662813000	PASAMUROS CHIMENEA 101003361	FEEDTHROUGH FLUE PIPE 1010	1	1	1	1	1	1	
6	R662819000	CUERPO EXTERIOR DE HORNO	OVEN EXTERIOR BODY	1	1	1	-	-	-	
6	R672816000	CUERPO EXTERIOR 10/11 ELÉCT.	EXTERIOR BODY 10/11 ELECT.	-	-	-	1	1	1	
	Q152017000	TORNILLO AMARRE M6X13 A304	FASTENING BOLT M6X13 A304	8	8	8	8	8	8	
7	R662811000	FIJACION PORTAMANDOS	CONTROL HOLDER ATTACHMEN	1	1	1	1	1	1	
	Q412002000	REMACHE AVINOX Ø4x10MM	RIVET AVINOX Ø4x10MM	2	2	2	2	2	2	
8	R693093000	SERIGRAFIA HEI-6/11	SERIGRAPHY HEI-6 / 11	1	-	-	-	-	-	
8	R663097000	SERIGRAFIA HEM-6/11	SERIGRAPHY HEM-6/11	-	1	-	-	-	-	
8	R663098000	SERIGRAFIA HEP-6/11	SERIGRAPHY HEP-6/11	-	-	1	-	-	-	
8	R703042000	SERIGRAFIA HEI-10/11	SERIGRAPHY HEI-10 / 11	-	-	-	1	-	-	
8	R673067000	SERIGRAFIA HEM-10/11 20/11	SERIGRAPHY HEM-10/11 20/11	-	-	-	-	1	-	
8	R673068000	SERIGRAFIA HEP-10/11 20/11	SERIGRAPHY HEP-10/11 20/11	-	-	-	-	-	1	
9	R692815000	PORTAMANDOS COMPL. HEI-6/11	CONTROL HOLDER HEI-6/11	1	-	-	-	-	-	
9	R662831000	PORTAMANDOS COMPL. HEM-6/11	CONTROL HOLDER HEM-6/11	-	1	1	-	-	-	
9	R702806000	PORTAMANDOS COMP. HEI-10/11	CONTROL HOLDER HEI-10/11	-	-	-	1	-	-	
9	R672831000	PORTAMANDOS COMP. HEM-10/11	CONTROL HOLDER HEM-10/11	-	-	-	-	1	1	
	Q262040000	ARANDELA GROW. A6 A.304	WASHER GROW. A6 A.304	2	2	2	2	2	2	
	Q232040000	ARANDELA A6	WASHER A6	2	2	2	2	2	2	
	Q012042000	TORNILLO EXAGONAL M6x15	HEXAGONAL BOLT M6x15	2	2	2	2	2	2	
10	3715400000	JUNTA PANEL PORTAMANDOS	SEAL CONTROL HOLDER PANEL	3	3	3	3	3	3	



N plano	Firma	Fecha	Aparato	PUERTA	Lamina	Fagor Industrial S.Coop. FAGOR
C-1960	<i>[Signature]</i>	2008-02	HORNOS HEI; HEM; HEP 6/11-10/11		2	Oñate

MOD.		HORNOS		ZONA	PUERTA						PLANO	C-1960
ITEM	CODIGO	DENOMINACION	TEXTO	HEI 6/11	HEM 6/11	HEP 6/11	HEI 10/11	HEM 10/11	HEP 10/11		NOTAS	
	1100003129	KIT PUERTA 6/11 COMPLETA	DOOR KIT 6/11 COMPLETE	1	1	1	-	-	-			
	1100003131	KIT PUERTA 10/11 COMPLETA	DOOR KIT 10/11 COMPLETE	-	-	-	1	1	1			
1	R660503000	JUNTA DE PUERTA 6-11	DOOR SEAL 6-11	1	1	1	-	-	-			
1	R670500000	JUNTA DE PUERTA 10-11	DOOR SEAL 10-11	-	-	-	1	1	1			
2	R660526000	FIJACION JUNTA COMPLETA 6-11	COMPLETE SEAL ATTACHMENT	1	1	1	-	-	-			
2	R670513000	FIJACION JUNTA COMPLETA 10-11	COMPLETE SEAL ATTACHMENT	-	-	-	1	1	1			
	Q032021000	TORNILLO ALOMADO M4X10	CURVED SCREW M4X10	28	28	28	28	28	28			
	Q222041000	REMACHE EXAGONAL M4 (INOX)	HEXAGONAL RIVET M4 (INOX)	28	28	28	28	28	28			
3	1100003130	KIT CRISTAL INTER. 6/11 COMPL.	INTER. GLASS KIT 6/11 COMP.	1	1	1	-	-	-			
3	1100003132	KIT CRISTAL INTER. 10/11 COMPL.	INTER. GLASS KIT 10/11 COMP.	-	-	-	1	1	1			
4	R670617000	TOPE CRISTAL INTERIOR 10/11	INTERIOR GLASS BUFFER 10/11	5	5	5	6	6	6			
5	R660616000	CONTRAPUERTA MANILLA 6/11	DOOR REVERSE HANDLE 6/11	1	1	1	-	-	-			
5	R670633000	CONTRAPUERTA MANILLA 10/11	DOOR REVERSE HANDLE 10/11	-	-	-	1	1	1			
6	R670613000	PESTILLO 10/11	LATCH 10/11	2	2	2	2	2	2			
7	R670612000	BASE DE PESTILLO	LATCH BASE	2	2	2	2	2	2			
	Q302022000	ARANDELA 16X6X1.2 A.304	WASHER 16X6X1.2 A.304	2	2	2	2	2	2			
	Q162040000	TUERCA EXAGONAL M6	HEXAGONAL NUT M6	2	2	2	2	2	2			
	Q242040000	ARANDELA ABANICO A6 A.304	FAN WASHER A6 A.304	2	2	2	2	2	2			
	R660605000	MUELLE TENSOR	TENSIONING SPRING	2	2	2	2	2	2			
8	R670615000	BASE DE BISAGRA	HINGE BASE	2	2	2	2	2	2			
	Q222011000	REMACHE EXAGONAL M.5	HEXAGONAL RIVET M.5	2	2	2	2	2	2			
	Q042032000	TORNILLO AVELLANADO M5X15	COUNTERSUNK BOLT M5x15	2	2	2	2	2	2			
9	R660614000	CONTRAPUERTA BISAGRA 6/11	DOOR REVERSE HINGE 6/11	1	1	1	-	-	-			
9	R670631000	CONTRAPUERTA BISAGRA 10/11	DOOR REVERSE HINGE 10/11	-	-	-	1	1	1			
10	3715200000	JUNTA CRISTAL	WINDOW SEAL	2	2	2	2	2	2			
11	Q212051000	TUERCA SOMBRERETE M8	COWL NUT M8	3	3	3	3	3	3			
	Q242050000	ARANDELA ABANICO A8 A.304	FAN WASHER A8 A.304	3	3	3	3	3	3			
	Q302025000	ARANDELA 8,4x20x1,5 A.304	WASHER 8.4x20x1.5 A.304	3	3	3	3	3	3			
12	Q012042000	TORNILLO EXAGONAL M6x15	HEXAGONAL BOLT M6x15	1	1	1	1	1	1			
	Q242040000	ARANDELA ABANICO A6 A.304	FAN WASHER A6 A.304	1	1	1	1	1	1			
	R662807000	ARANDELA AMARRE	ANCHORAGE WASHER	1	1	1	1	1	1			

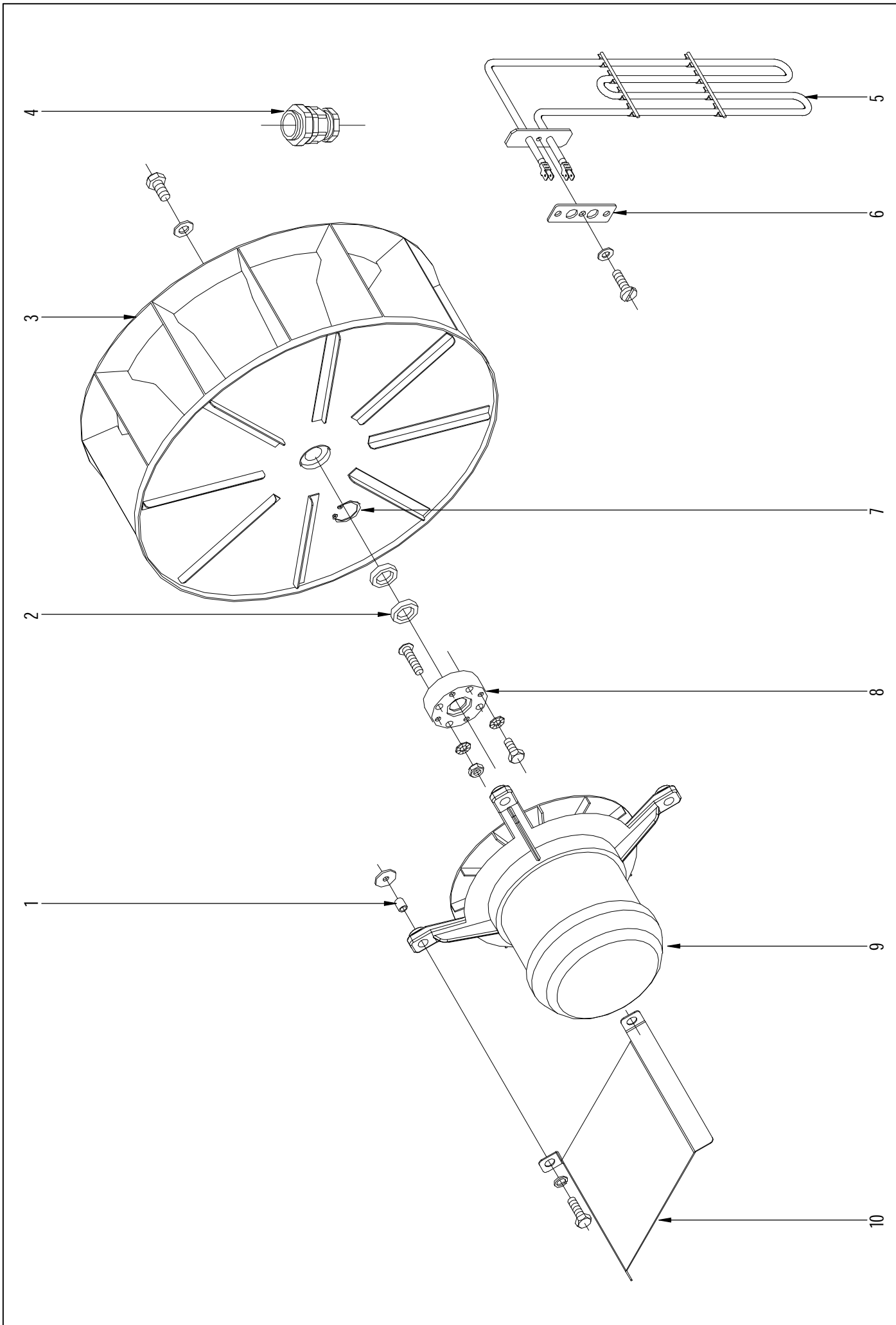
MOD.	HORNOS		ZONA	PUERTA						PLANO	C-1960
ITEM	CODIGO	DENOMINACION	TEXTO	HEI 6/11	HEM 6/11	HEP 6/11	HEI 10/11	HEM 10/11	HEP 10/11		NOTAS
13	T130500000	BISAGRA SUPERIOR	UPPER HINGE	1	1	1	1	1	1		
	R660534000	EJE SUPERIOR	UPPER SHAFT	1	1	1	1	1	1		
	Z850519000	RESORTE 06329	SPRING 06329	1	1	1	1	1	1		
14	R660612000	PANEL PUERTA 6/11	DOOR PANEL 6/11	1	1	1					
14	R670629000	PANEL PUERTA 10-11	DOOR PANEL 10-11				1	1	1		
	Q412002000	REMACHE AVINOX Ø4x10MM	RIVET AVINOX Ø4x10MM	14	14	14	14	14	14		
15	R660610000	CRISTAL EXTERIOR 6/11	EXTERIOR GLASS 6/11	1	1	1					
15	R670627000	CRISTAL EXTERIOR 10/11	EXTERIOR GLASS 10/11				1	1	1		
16	R660549000	GUIA EJE INFERIOR FUNDIDO	LOWER SHAFT GUIDE, CAST IRC	1	1	1	1	1	1		
	Q062040000	TORNILLO AVELLANADO M6X16	COUNTERSUNK BOLT M6x16	4	4	4	4	4	4		
17	R660551500	BISAGRA INFERIOR PLEGADA	LOWER FOLDER HINGE	1	1	1	1	1	1		
	Q242040000	ARANDELA ABANICO A6 A.304	FAN WASHER A6 A.304	2	2	2	2	2	2		
	Q012041000	TORNILLO EXAGONAL M6x10 A304	HEXAGONAL BOLT M6x10 A304	2	2	2	2	2	2		
18	T130502000	MANILLA COMPLETA	COMPLETE HANDLE	1	1	1	1	1	1		
	Q132042000	VARILLA ROSCADA M6X15	THREADED ROD M6X15	1	1	1	1	1	1		
	T130510000	TAPON Ø 16 BAGAL Ext.	COVER Ø 16 BAGAL Ext.	1	1	1	1	1	1		
19	T130515000	GUIA MANILLA	HANDLE GUIDE	1	1	1	1	1	1		
	T130507000	PITON ENGANCHE PUERTA	DOOR FASTENER SPIKE	2	2	2	2	2	2		
	T130506000	RESORTE 34548	SPRING 34548	2	2	2	2	2	2		
20	T130513000	SOPORTE IMAN	MAGNET BRACKET	1	1	1	1	1	1		
	Q222011000	REMACHE EXAGONAL M.5	HEXAGONAL RIVET M.5	1	1	1	1	1	1		
	Q032031000	TORNILLO ALOMADO M5X10	CURVED SCREW M5X10	1	1	1	1	1	1		
21	Z200507000	PROTECTOR IMAN	MAGNET PROTECTOR	1	1	1	1	1	1		
22	Z200506000	IMAN	MAGNET	1	1	1	1	1	1		
23	Z100522000	INTERRUPTOR MAGNETICO	MAGNETIC SWITCH	1	1	1	1	1	1		
24	T130514000	SOPORTE RESORTE	SPRING SUPPORT	1	1	1	1	1	1		
	Q032032000	TORNILLO ALOMADO M5x15	CURVED SCREW M5X15	2	2	2	2	2	2		
25	T130511000	SUPLEMENTO SUJ. CERRADURA	ANCHORAGE SUPPL. LOCK	1	1	1	1	1	1		
26	Q352001000	PASADOR DE ALETAS 2X20	COTTER PIN 2X20	2	2	2	4	4	4		
27	T080503000	SUPLEMENTO ELEMENTO CIERRE	SUPPLEMENT LOCK ELEMENT	6	6	6	6	6	6		



N plano	Firma	Fecha	Aparato	MUEBLE INTERIOR	Lamina	Fagor Industrial S.Coop. FAGOR
C-1961	<i>[Signature]</i>	2008-02	HORNOS HEI; HEM; HEP 6/11-10/11		3	Oñate

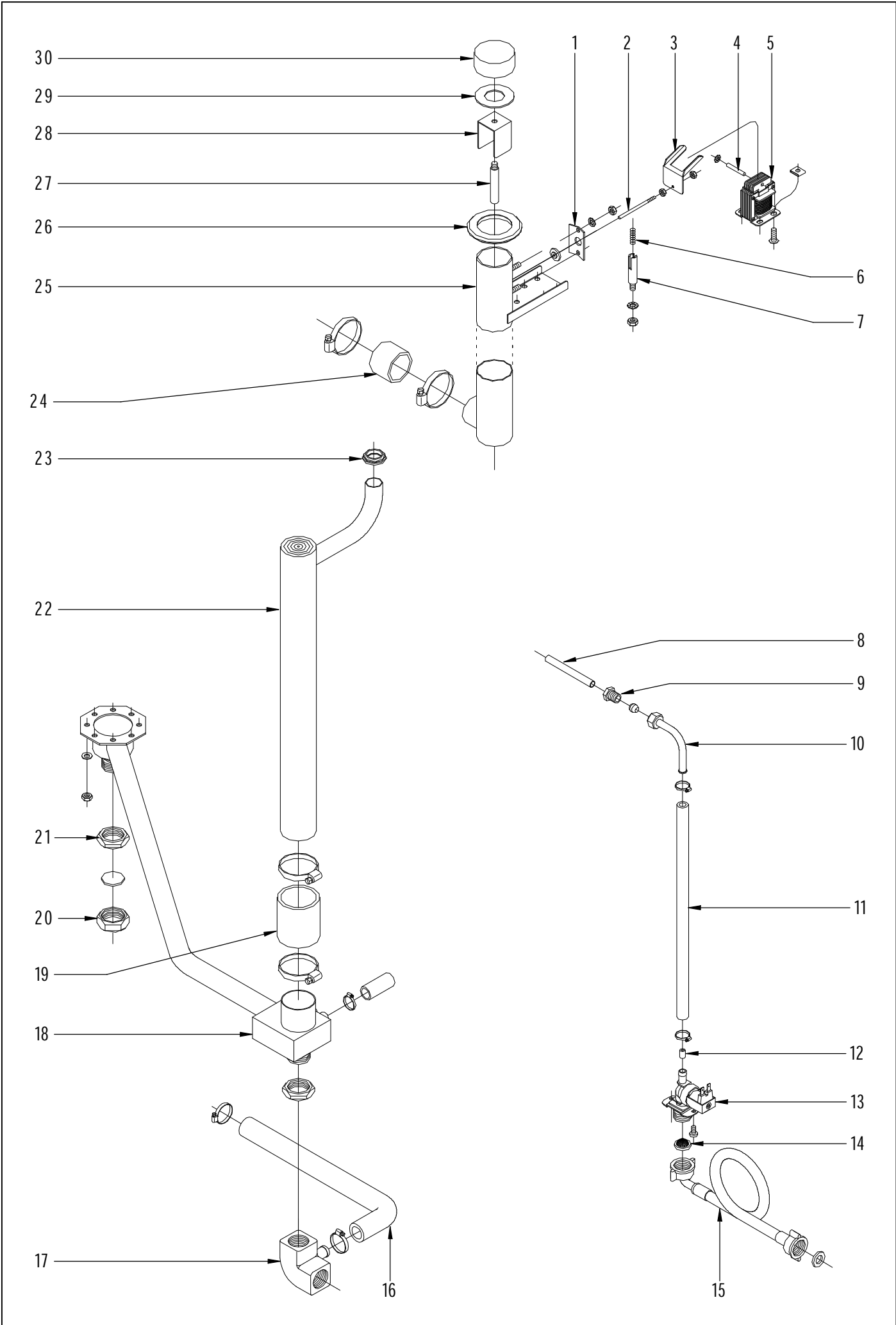
MOD.	HORNOS		ZONA	MUEBLE INTERIOR						PLANO	C-1961
ITEM	CODIGO	DENOMINACION	TEXTO	HEI 6/11	HEM 6/11	HEP 6/11	HEI 10/11	HEM 10/11	HEP 10/11		NOTAS
1	T303023000	PORTALAMPARAS	LAMP HOLDER	1	1	1	1	1	1		
2	T303026000	JUNTA EXTERIOR LAMPARA	LAMP EXTERIOR SEAL	1	1	1	1	1	1		
3	T303025000	CRISTAL LAMPARA	LAMP GLASS	1	1	1	1	1	1		
4	T303027000	JUNTA INTERIOR LAMPARA	LAMP INTERIOR SEAL	1	1	1	1	1	1		
5	T303047000	MARCO LAMPARA	LAMP FRAME	1	1	1	1	1	1		
	R663013000	LAMPARA 10W-12V	LAMP 10W-12V	1	1	1	1	1	1		
	Q222041000	REMACHE EXAGONAL M.4 INOX	HEXAGONAL RIVET M4 (INOX)	4	4	4	4	4	4		
	Q032021000	TORNILLO ALOMADO M4X10	CURVED SCREW M4X10	4	4	4	4	4	4		
6	R662655000	SOPORTE AISLANTE POST. 6-11	REAR INSULATION SUPPORT 6-11	1	1	1	-	-	-		
6	R672608000	SOPORTE AISLANTE POST. 10/11	REAR INSULATION SUPPORT 10/11	-	-	-	1	1	1		
	Q151301000	PHILIPS 8X5/8	PHILIPS 8X5/8	3	3	3	3	3	3		
	Q012042000	TORNILLO EXAGONAL M6x15	HEXAGONAL BOLT M6x15	12	12	12	12	12	12		
	Q262040000	ARANDELA GROW. A6 A.304	WASHER GROW. A6 A.304	12	12	12	12	12	12		
	Q232040000	ARANDELA A6	WASHER A6	12	12	12	12	12	12		
	Q221343000	REMACHE EXAGONAL M.6	HEXAGONAL RIVET M.6	6	6	6	6	6	6		
7	R662614000	AISLANTE 650X650X20	INSULATION 650X650X20	5	5	5	5	5	5		
8	R662613000	AISLANTE 650X530X20	INSULATION 650X530X20	5	5	5	-	-	-		
8	R672630000	AISLANTE 770X650X20	INSULATION 770X650X20	-	-	-	5	5	5		
9	R692618000	CUERPO COMPLETO HEI 6/11	COMPLETE BODY HEI 6/11	1	-	-	-	-	-		
9	R662697000	CUERPO COMPLETO HEM 6/11	COMPLETE BODY HEM 6/11	-	1	1	-	-	-		
9	R702609000	CUERPO COMPLETO HEI 10/11	COMPLETE BODY HEI 10/11	-	-	-	1	-	-		
9	R672609000	CUERPO INTERIOR HEM-10/11	INNER BODY HEM-10/11	-	-	-	-	1	1		
	R662636000	REFUERZO BASE CUERPO INTER.	REINFORCEMENT BASE INTER. B	1	1	1	1	1	1		
	Q162040000	TUERCA EXAGONAL M6	HEXAGONAL NUT M6	8	8	8	8	8	8		
	Q232040000	ARANDELA A6	WASHER A6	8	8	8	8	8	8		
	Q262040000	ARANDELA GROW. A6 A.304	WASHER GROW. A6 A.304	8	8	8	8	8	8		
	Q222041000	REMACHE EXAGONAL M4 (INOX)	HEXAGONAL RIVET M4 (INOX)	28	28	28	28	28	28		
10	T132644000	SUPLEMENT. CUBREVENTILADOR	SUPPLEMENT. FAN COVER	1	1	1	1	1	1		
S/Nº	T322607000	REDUCC. CUBREVENT. 60HzD160	FANCOVER REDUC. 60HzD160	1	1	1	1	1	1		SOLO HORNOS A 60 HZ
11	T302643000	FIJACIÓN SUPLEMENTO	SUPPLEMENTARY FASTENING	4	4	4	4	4	4		
	Q412002000	REMACHE AVINOX Ø4x10MM	RIVET AVINOX Ø4x10MM	8	8	8	8	8	8		

MOD.		HORNOS		ZONA		MUEBLE INTERIOR				PLANO		C-1961	
ITEM	CODIGO	DENOMINACION	TEXTO	HEI 6/11	HEM 6/11	HEP 6/11	HEI 10/11	HEM 10/11	HEP 10/11			NOTAS	
12	R692615000	CUBREVENTILADOR 6/11	FAN COVER 6/11	1	1	1	—	—	—				
12	R672611000	CUBREVENTILADOR 10/11	FAN COVER 10/11	—	—	—	1	1	1				
	Q152014000	PERNO SOLD.M5X10	WELDED ROD M5X10	2	2	2	2	2	2				
13	R092677000	ESCUADRA SUJECCION	FASTENING BRACKET	2	2	2	2	2	2				
	Q412002000	REMACHE AVINOX Ø4x10MM	RIVET AVINOX Ø4x10MM	6	6	6	6	6	6				
14	R092680000	FIJACIÓN SUPLEMENTO DOBLE	DOUBLE SUPPLEMENT ATTACHM	2	2	2	—	—	—				
14	T302643000	FIJACIÓN SUPLEMENTO	SUPPLEMENTARY FASTENING	—	—	—	2	2	2				
	Q412002000	REMACHE AVINOX Ø4x10MM	RIVET AVINOX Ø4x10MM	4	4	4	4	4	4				
15	R662693000	TOPE PORTABANDEJAS 6/11	TRAY HOLDER BUFFER 6/11	2	2	2	—	—	—				
15	R672692000	TOPE PORTABANDEJAS 10/11	TRAY HOLDER BUFFER 10/11	—	—	—	2	2	2				
16	R672691000	ESCUADRA SUJECCION 6-10/11	FASTENING BRACKET 6-10/11	4	4	4	4	4	4				
17	R692616000	GUIA BANDEJAS DERECHA 6/11	RIGHT TRAY GUIDE 6/11	1	1	1	—	—	—				
17	R672612000	GUIA BANDEJAS DERECHA 10/11	RIGHT TRAY GUIDE 10/11	—	—	—	1	1	1				
S/Nº	R692617000	GUIA BANDEJAS IZQUIERDA 6/11	LEFT TRAY GUIDE 6/11	1	1	1	—	—	—				
S/Nº	R672613000	GUIA BANDEJAS IZQUIERDA 10/11	LEFT TRAY GUIDE 10/11	—	—	—	1	1	1				
18	R252816000	BANDEJA 1/1 P:20	TRAY 1/1 P:20	1	1	1	1	1	1				
19	R672665000	PARRILLA 1X1 (REF. 2025201)	GRILLE 1X1 (REF. 2025201)	1	1	1	1	1	1				
20	T302643000	FIJACIÓN SUPLEMENTO	SUPPLEMENTARY FASTENING	—	—	—	2	2	2				
	Q412002000	REMACHE AVINOX Ø4x10MM	RIVET AVINOX Ø4x10MM	—	—	—	4	4	4				
21	T302845000	JUNTA RECOGEAGUAS	WATER COLLECTOR SEAL	1	1	1	1	1	1				
	Q242030000	ARANDELA ABANICO A5 A.304	FAN WASHER A5 A.304	2	2	2	2	2	2				
	Q213131000	TUERCA SOMBRERETE M5	COWL NUT M5	2	2	2	2	2	2				
22	T302844000	DESAGÜE RECOGEAGUAS	WATER COLLECTOR DRAIN	1	1	1	1	1	1				
23	T112852000	RECOGEAGUAS COMPL. 6 10/11	COMPL. WATER COLLECTOR 6 1	1	1	1	1	1	1				
	Q221343000	REMACHE EXAGONAL M6	HEXAGONAL RIVET M6	4	4	4	4	4	4				
	Q152017000	TORNILLO AMARRE M6X13 A304	FASTENING BOLT M6X13 A304	4	4	4	4	4	4				
24	R672833000	CUBRE DESAGUE 6/11 10/11	DRAIN COVER 6/11 10/11	1	1	1	1	1	1				
25	R662682000	PROTECTOR PORTAMANDOS 6-11	CONTROL HOLDER PROTECTOR	1	1	1	—	—	—				
25	R672674000	PROTECCION PORTAMANDOS	CONTROL HOLDER PROTECTOR	—	—	—	1	1	1				
	Q412002000	REMACHE AVINOX Ø4x10MM	RIVET AVINOX Ø4x10MM	3	3	3	3	3	3				



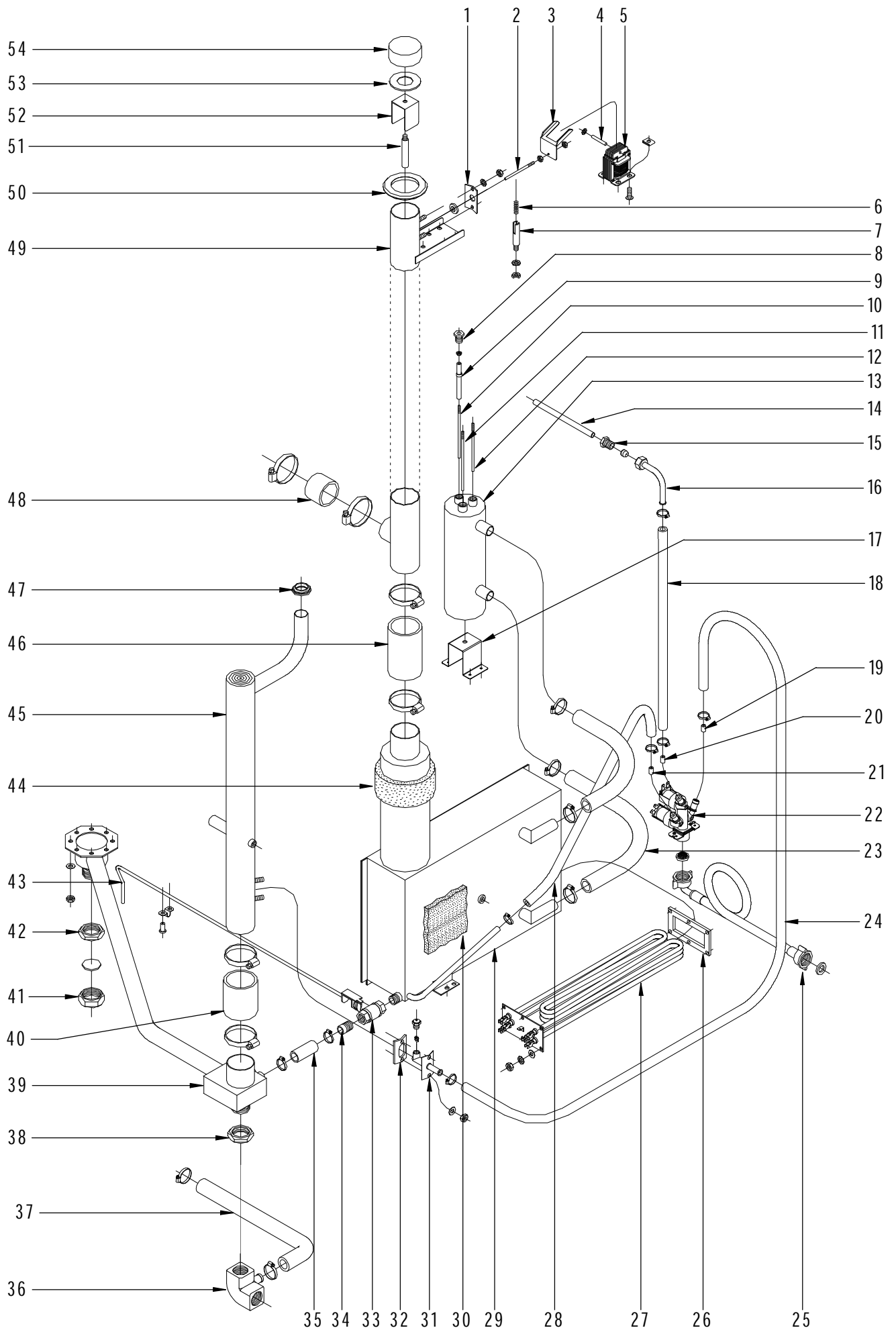
N plano	Firma	Fecha	Aparato	TURBINA	Lamina	Fagor Industrial S.Coop. FAGOR
C-1962	<i>[Signature]</i>	2008-02	HORNOS HEI; HEM; HEP 6/11-10/11		4	Oñate

MOD.		HORNOS		ZONA	TURBINA						PLANO	C-1962
ITEM	CODIGO	DENOMINACION	TEXTO	HEI 6/11	HEM 6/11	HEP 6/11	HEI 10/11	HEM 10/11	HEP 10/11		NOTAS	
1	R663057000	CASQUILLO AMARRE MOTOR	MOTOR FASTENING BUSHING	—	4	4	—	4	4			
	Q301304000	ARANDELA PLANA 23X6.5X2	FLAT WASHER 23X6.5X2	4	4	4	4	4	4			
2	R662627000	RETEN 17X28X7V	SEAL 17X28X7V	2	2	2	2	2	2			
3	R703050000	TURBINA REC Ø350X127 HANNING	STRAIGHT FAN Ø350X127 HANNING	1	—	—	1	—	—			
3	T493017000	TURBINA RECTA Ø350X127 FIR	STRAIGHT FAN Ø350X127 FIR	—	1	1	—	1	1			
	R763010000	ARANDELA SEGURIDAD HANNING	SAFETY WASHER HANNING	1	1	1	1	1	1			
	Q012063000	TORNIL. EXAGONAL M10X20 A.304	HEXAGONAL BOLT M10X20 A.304	1	1	1	1	1	1			
4	R033002000	PRENSA ESTOPAS	STUFFING BOX	1	1	1	1	1	1			
5	R663016000	RESISTENCIA CONVECCION 230V.	CONVECTION RESISTOR 230V.	6	6	6	—	—	—			
5	R673002000	RESISTENCIA CONVECCION	CONVECTION RESISTOR	—	—	—	6	6	6			
6	R693017000	JUNTA RESISTENCIAS 6-11	RESISTOR SEAL 6-11	6	6	6	—	—	—			
6	R673063000	JUNTA RESISTENCIAS 10-11	RESISTOR SEAL 10-11	—	—	—	6	6	6			
	Q232040000	ARANDELA A6	WASHER A6	18	18	18	18	18	18			
	Q242040000	ARANDELA ABANICO A6 A.304	FAN WASHER A6 A.304	18	18	18	18	18	18			
	Q012042000	TORNILLO EXAGONAL M6x15	HEXAGONAL BOLT M6x15	18	18	18	18	18	18			
7	Q302023000	ANILLO DE SEGURIDAD Ø 28X1.2	SAFETY RING Ø 28X1.2	1	1	1	1	1	1			
8	R662684000	CASQUILLO RETEN	SEAL BUSHING	1	1	1	1	1	1			
	R662685000	JUNTA CASQUILLO RETEN	SEAL BUSHING GASKET	1	1	1	1	1	1			
	Q262040000	ARANDELA GROW. A6 A.304	WASHER GROW. A6 A.304	4	4	4	4	4	4			
	Q162040000	TUERCA EXAGONAL M6	HEXAGONAL NUT M6	4	4	4	4	4	4			
	Q232040000	ARANDELA A6	WASHER A6	4	4	4	4	4	4			
	Q262040000	ARANDELA GROW. A6 A.304	WASHER GROW. A6 A.304	4	4	4	4	4	4			
	Q162040000	TUERCA EXAGONAL M6	HEXAGONAL NUT M6	4	4	4	4	4	4			
9	R703049000	MOTOR DOBLE GIRO 1VEL.450W.	DOUBLE ROTATION MOTOR 1VE	1	—	—	1	—	—			
9	T493003000	MOTOR 20/21 2V 400V	MOTOR 20/21 2V 400V.	—	1	1	—	1	1			
9	T493004000	MOTOR 20/21 2V 230V.	MOTOR 20/21 2V 230V.	—	1	1	—	1	1			
	Q012046000	TORN.EXA. M6X40 A.304	HEX BOLT M6X40 A.304	4	4	4	4	4	4			
	Q242050000	ARANDELA ABANICO A8 A.304	FAN WASHER A8 A.304	4	4	4	4	4	4			
	Q162050000	TUERCA EXAGONAL M8x1 INOX.	HEXAGONAL NUT M8x1 INOX.	4	4	4	4	4	4			
10	T142635000	TEJADILLO MOTOR	MOTOR ROOF	1	1	1	1	1	1			



N plano	Firma	Fecha	Aparato	CIRCUITO DE AGUA	Lamina	Fagor Industrial S.Coop. FAGOR
C-1963	<i>[Signature]</i>	2008-02	HORNOS HEI-6/11; 10/11		5	Oñate

MOD.	HORNOS		ZONA	CIRCUITO DE AGUA				PLANO	C-1963
ITEM	CODIGO	DENOMINACION	TEXTO	HEI 6/11	HEI 10/11				NOTAS
1	T115105000	AMARRE CONDUCCION VAHOS	VAPOUR DUCT FASTENING	1	1				
	R675033000	JUNTA PALANCA ACCIONAMIENTO	DRIVE LEVER SEAL	1	1				
	Q242030000	ARANDELA ABANICO A5 A.304	FAN WASHER A5 A.304	2	2				
	Q162030000	TUERCA EXAGONAL M5	HEXAGONAL NUT M5	2	2				
2	R675014000	PALANCA ACCIONAMIENTO	DRIVE LEVER	1	1				
3	R672640000	ESCUADRA ACCIONAMIENTO	DRIVE BRACKET	1	1				
	Q162020000	TUERCA EXAGONAL M4	HEXAGONAL NUT M4	2	2				
	Q242020000	ARANDELA ABANICO A4 A.304	FAN WASHER A4 A.304	1	1				
4	R675016000	PASADOR ELECTROIMAN	ELECTROMAGNET PIN	1	1				
	Q301035000	SUJECCION RAPIDA Ø4	RAPID FASTENING Ø4	2	2				
5	R663030000	ELECTROIMAN JOVE TIPO 501	ELECTROMAGNET JOVE TYPE 501	1	1				
	Q221009000	TUERCA RAPIDA SEGURID. AC.RE	RAPID SAFETY NUT AC.RE	2	2				
	Q152004000	TORNILLO APLAST. M5X13 A 304	MUSHROOM HEAD BOLT M5X13	2	2				
6	Z883001000	RESORTE 20153	SPRING 20153	1	1				
7	R665027000	GUIA RESORTE	SPRING GUIDE	1	1				
	Q242040000	ARANDELA ABANICO A6 A.304	FAN WASHER A6 A.304	1	1				
	Q162040000	TUERCA EXAGONAL M6	HEXAGONAL NUT M6	1	1				
8	R695033000	TUBO INYECTOR 6/11	INJECTOR PIPE 6/11	1	1				
9	R695003000	MANGUITO CIERRE	CLOSING SLEEVE	1	1				
	R695004000	BICONO	BICONE	1	1				
10	R695017000	TUBO CONDUCCION AGUA	WATER DUCT PIPE	1	1				
11	3676900000	TUBO GOMA NEGRA Ø17*10	BLACK RUBBER PIPE Ø17*10	1	1				
	Q881302000	ABRAZADERA ELASTICA 12*20	ELASTIC CLAMP 12*20	2	2				
12	R665041000	REGULADOR 0,25L. ROJO	REGULATOR 0.25L. RED	1	1				
13	Z701135000	ELECT. SIMPLE 220V COD.255.208	ELECT. SIMPLE 220V COD.255.208	1	1				
	Q032021000	TORNILLO ALOMADO M4x10	CURVED SCREW M4X10	4	4				
14	Z701132000	FILTRO DE JUNTA N-3	SEAL FILTER N-3	1	1				
15	Z601114000	MANGUERA ENTRADA AGUA	WATER INTAKE HOSE	1	1				
16	3715600000	TUBO SILICONA 26X18	SILICONE PIPE 26X18	1	1				
	Q881305000	ABRAZADERA 25-40	CLAMP 25-40	2	2				

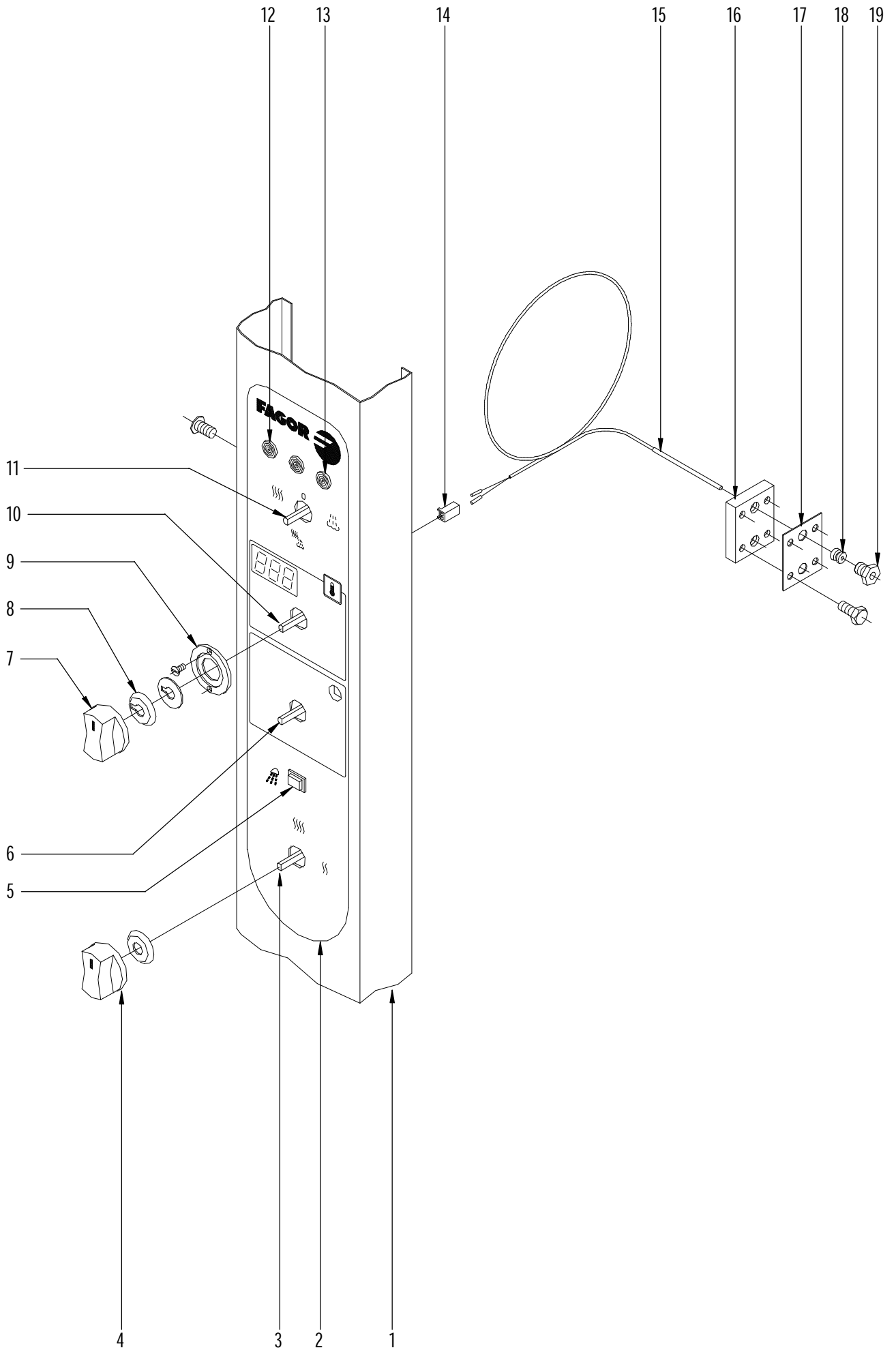


N plano	Firma	Fecha	Aparato	CIRCUITO DE AGUA	Lamina	Fagor Industrial S.Coop. FAGOR
C-1964	<i>[Signature]</i>	2008-02	HORNOS HEM; HEP 6/11-10/11	6	Oñate	

MOD.		HORNOS		ZONA	CIRCUITO DE AGUA				PLANO	C-1964
ITEM	CODIGO	DENOMINACION	TEXTO	HEM 6/11	HEP 6/11	HEM 10/11	HEP 10/11			NOTAS
1	T115105000	AMARRE CONDUCCION VAHOS	VAPOUR DUCT FASTENING	1	1	1	1			
	R675033000	JUNTA PALANCA ACCIONAMIENTO	DRIVE LEVER SEAL	1	1	1	1			
	Q242030000	ARANDELA ABANICO A5 A.304	FAN WASHER A5 A.304	2	2	2	2			
	Q162030000	TUERCA EXAGONAL M5	HEXAGONAL NUT M5	2	2	2	2			
2	R675014000	PALANCA ACCIONAMIENTO	DRIVE LEVER	1	1	1	1			
3	R672640000	ESCUADRA ACCIONAMIENTO	DRIVE BRACKET	1	1	1	1			
	Q162020000	TUERCA EXAGONAL M4	HEXAGONAL NUT M4	2	2	2	2			
	Q242020000	ARANDELA ABANICO A4 A.304	FAN WASHER A4 A.304	1	1	1	1			
4	R675016000	PASADOR ELECTROIMAN	ELECTROMAGNET PIN	1	1	1	1			
	Q301035000	SUJECCION RAPIDA Ø 4	RAPID ATTACHMENT Ø 4	2	2	2	2			
5	R663030000	ELECTROIMAN JOVE TIPO 501	ELECTROMAGNET JOVE TYPE 501	1	1	1	1			
	Q221009000	TUERCA RAPIDA SEGURID. AC.RE	RAPID SAFETY NUT AC.RE	2	2	2	2			
	Q152004000	TORNILLO APLAST. M5X13 A 304	MUSHROOM HEAD BOLT M5X13	2	2	2	2			
6	Z883001000	RESORTE 20153	SPRING 20153	1	1	1	1			
7	R665027000	GUIA RESORTE	SPRING GUIDE	1	1	1	1			
	Q242040000	ARANDELA ABANICO A6 A.304	FAN WASHER A6 A.304	1	1	1	1			
	Q162040000	TUERCA EXAGONAL M6	HEXAGONAL NUT M6	1	1	1	1			
8	R345058000	RACORD	CONNECTION	3	3	3	3			
	Q163020000	TUERCA EXAGONAL M4	HEXAGONAL NUT M4	6	6	6	6			
9	R345059000	GUIA AISLANTE	INSULATION GUIDE	3	3	3	3			
10	R345063000	ELECTRODO NIVEL BAJO	LOW LEVEL ELECTRODE	1	1	1	1			
11	R345064000	ELECTRODO DE MASA	EARTH ELECTRODE	1	1	1	1			
12	R345060000	ELECTRODO NIVEL ALTO	HIGH LEVEL ELECTRODE	1	1	1	1			
13	T325040000	CUERPO NIVELES COMPLETO	COMPLETE LEVELS BODY	1	1	1	1			
	Q232040000	ARANDELA A6	WASHER A6	1	1	1	1			
	Q262040000	ARANDELA GROW. A6 A.304	WASHER GROW. A6 A.304	1	1	1	1			
	Q162040000	TUERCA EXAGONAL M6	HEXAGONAL NUT M6	2	2	2	2			
14	R695033000	TUBO INYECTOR	INJECTOR PIPE	1	1	1	1			
15	R695003000	MANGUITO CIERRE	CLOSING SLEEVE	1	1	1	1			
	R695004000	BICONO	BICONE	1	1	1	1			
16	R695017000	TUBO CONDUCCION AGUA	WATER DUCT PIPE	1	1	1	1			

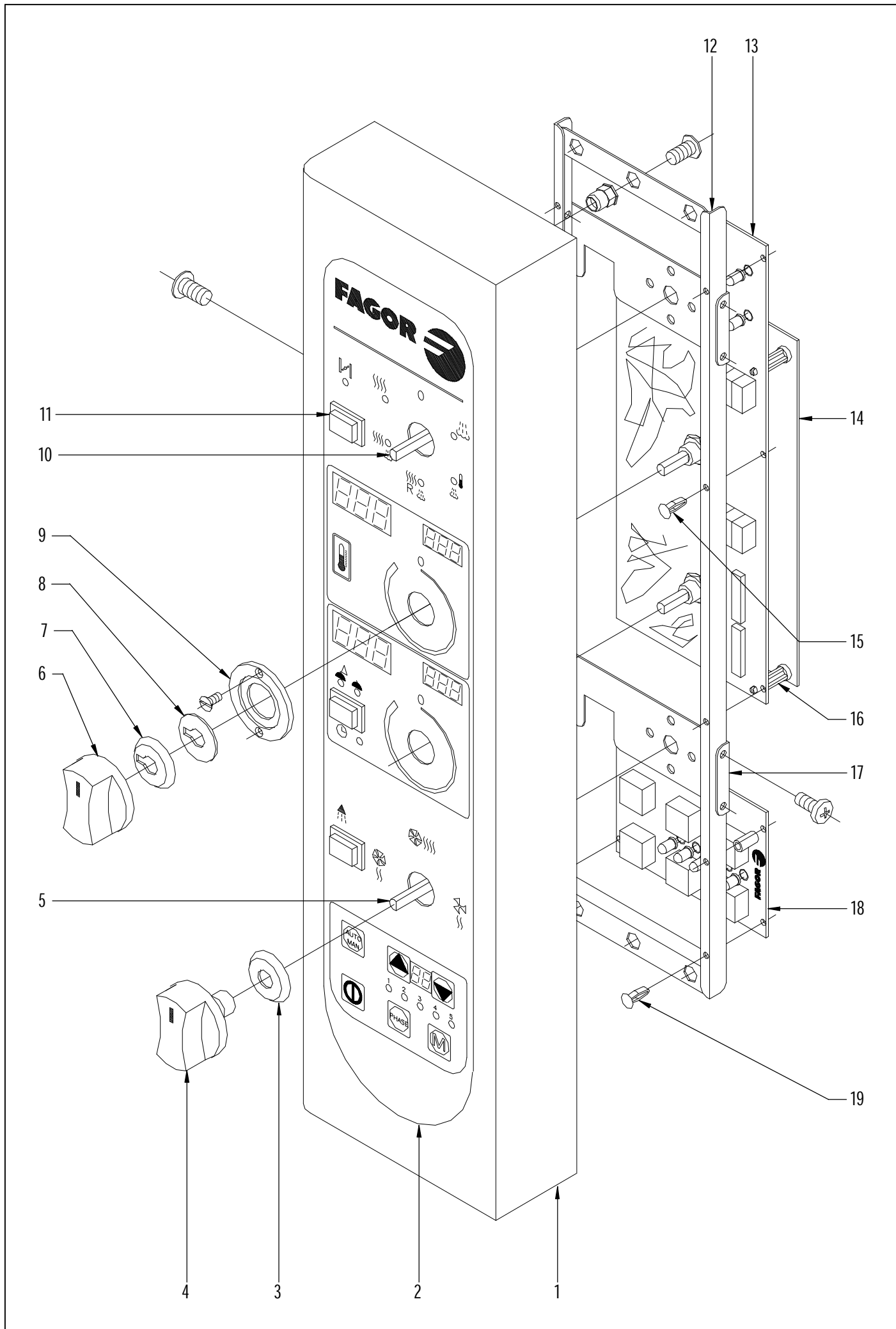
MOD.		HORNOS		ZONA	CIRCUITO DE AGUA				PLANO	C-1964
ITEM	CODIGO	DENOMINACION	TEXTO	HEM 6/11	HEP 6/11	HEM 10/11	HEP 10/11			NOTAS
17	R025032000	CHAPA CUERPO NIVELES E102011	PLATE BODY LEVELS E102011	—	—	1	1			
18	3676900000	TUBO GOMA NEGRA Ø17*10	BLACK RUBBER PIPE Ø17*10	1	1	1	1			
	Q881302000	ABRAZADERA ELASTICA 12*20	ELASTIC CLAMP 12*20	2	2	2	2			
19	P443042000	REGULADOR 3L. VERDE 254.023	REGULATOR 3L. GREEN 254.023	1	1	1	1			
20	R665041000	REGULADOR 0,25L. ROJO	REGULATOR 0.25L. RED	1	1	1	1			
21	Z601156000	REGULADOR 8L RO. 254.034	REGULATOR 8L RED 254.034	1	1	1	1			
22	Z611123000	ELECTROV. TRIPLE COD.255.641	SOLENOID TRIPLE ELBOW.255.6	1	1	1	1			
	Q032021000	TORNILLO ALOMADO M4x10	CURVED SCREW M4X10	4	4	4	4			
23	3715600000	TUBO SILICONA FORRADO 26X18	LINED SILICONE TUBE 26X18	2	2	2	2			
	Q881304000	ABRAZADERA 20-32	CLAMP 20-32	4	4	4	4			
24	3676900000	TUBO GOMA NEGRA Ø17*10	BLACK RUBBER PIPE Ø17*10	1	1	1	1			
	Q881302000	ABRAZADERA ELASTICA 12*20	ELASTIC CLAMP 12*20	2	2	2	2			
25	Z601114000	MANGUERA ENTRADA AGUA	WATER INTAKE HOSE	1	1	1	1			
	Z701132000	FILTRO DE JUNTA N-3	SEAL FILTER N-3	2	2	2	2			
26	R145012000	JUNTA CIERRE RESISTENCIAS	RESISTOR CLOSING SEAL	1	1	2	2			
27	R143000000	RESISTENCIA 3000WX3	RESISTOR 3000WX3	1	1	2	2			
	Q163030000	TUERCA EXAGONAL M5 LATON	HEXAGONAL NUT M5 BRASS	6	6	12	12			
	Q242030000	ARANDELA ABANICO A5 A.304	FAN WASHER A5 A.304	6	6	12	12			
28	3676900000	TUBO GOMA NEGRA Ø17*10	BLACK RUBBER PIPE Ø17*10	2	2	2	2			
	Q881302000	ABRAZADERA ELASTICA 12*20	ELASTIC CLAMP 12*20	4	4	4	4			
29	R665042000	GENERADOR DE VAPOR 6/11	STEAM GENERATOR 6/11	1	1	—	—			
29	R675024000	GENERADOR DE VAPOR 20/11	STEAM GENERATOR 20/11	—	—	1	1			
30	R665051000	AISLANTE GENERADOR E-6/11	GENERATOR INSULATION E-6/11	1	1	—	—			
30	R345011000	AISLANTE GENERADOR E-10-20/11	GENERATOR INSULATION E-10-2	—	—	1	1			
31	R015007000	CONDUCCION VAHOS COMPLETO	COMPLETE VAPOUR PIPE	1	1	1	1			
	Z651931000	TOBERA ACLARADO	RINSE NOZZLE	2	2	2	2			
	Z651932000	RODETE	RUNNER	2	2	2	2			
	Q162030000	TUERCA EXAGONAL M5	HEXAGONAL NUT M5	2	2	2	2			
	Q242030000	ARANDELA ABANICO A5 A.304	FAN WASHER A5 A.304	2	2	2	2			
32	R345108000	JUNTA DE VAHOS 5102805	VAPOUR SEAL 5102805	1	1	1	1			
33	R015034000	CUERPO GRIFO VACIADO	DRAINAGE TAP BODY	1	1	1	1			

MOD.		HORNOS		ZONA	CIRCUITO DE AGUA				PLANO	C-1964
ITEM	CODIGO	DENOMINACION	TEXTO	HEM 6/11	HEP 6/11	HEM 10/11	HEP 10/11			NOTAS
34	R345014000	MANGUITO GRIFO VACIADO	DRAINAGE TAP HOSE	1	1	1	1			
35	3715600000	TUBO SILICONA 26X18	SILICONE PIPE 26X18	1	1	1	1			
	Q881304000	ABRAZADERA 20-32	CLAMP 20-32	2	2	2	2			
36	R665080000	CODO DESAGÜE	DRAINAGE L-BEND	1	1	1	1			
37	3715600000	TUBO SILICONA 26X18	SILICONE PIPE 26X18	1	1	1	1			
	Q881305000	ABRAZADERA 25-40	CLAMP 25-40	2	2	2	2			
38	Q223014000	CONTRATUERCA 1 LATON	COUNTERNUT 1 BRASS	1	1	1	1			
39	R665076000	TUBO DESAGÜE COMPLETO	COMPLETE DRAINAGE PIPE	1	1	1	1			
40	R345020000	TUBO EMPALME	CONNECTION PIPE	1	1	1	1			
	Q881307000	ABRAZADERA 40-60	CLAMP 40-60	2	2	2	2			
41	R665053000	TUERCA TAPON 1"	PLUG NUT 1"	1	1	1	1			
	R015011000	ARANDELA Ø32	WASHER Ø32	1	1	1	1			
42	Q223014000	CONTRATUERCA 1 LATON	COUNTERNUT 1 BRASS	1	1	1	1			
43	R342803000	PALANCA GRIFO VACIADO	DRAIN TAP LEVER	1	1	1	1			
	Q901306000	GRAPA METALICA DOS PIES	METAL STAPLE TWO FEET	1	1	1	1			
	Q412002000	REMACHE AVINOX Ø4x10mm	RIVET AVINOX Ø4x10mm	2	2	2	2			
44	R665070000	AISLANTE SALIDA GENERADOR611	GENERATOR OUTPUT INSULATION	1	1	-	-			
44	T115066000	AISLANTE CHIMENEA 10-20/11	FLUE PIPE INSULATION 10-20/11	-	-	1	1			
45	R665079000	CHIMENEA RETORNO COM. 6/11	FLUE PIPE RETURN COM. 6/11	1	1	-	-			
45	R675044000	CHIMENEA RETORNO COM. 10/11	FLUE PIPE RETURN COM. 10/11	-	-	1	1			
46	R345020000	TUBO EMPALME	CONNECTION PIPE	1	1	1	1			
	Q881307000	ABRAZADERA 40-60	CLAMP 40-60	2	2	2	2			
47	N503017000	SOPORTE TERMOSTATO 1001713	THERMOSTAT SUPPORT 1001713	1	1	1	1			
48	3715800000	TUBO SILICONA Ø43*51	SILICONE TUBE Ø43*51	1	1	1	1			
	Q881307000	ABRAZADERA 40-60	CLAMP 40-60	2	2	2	2			
49	R675019000	CONJUNTO CHIMENEA HME/M/P	FLUE PIPE UNIT HME/M/P	1	1	1	1			
50	R662813000	PASAMUROS CHIMENEA 101003361	FEEDTHROUGH FLUE PIPE 1010	1	1	1	1			
51	R675008000	UNION RETENCION VAPORES	STEAM RETAINER UNION	1	1	1	1			
52	R675005000	GUIA RETENCION VAPORES	STEAM RETAINER GUIDE	1	1	1	1			
53	R675007000	JUNTA RETENCION VAPORES	STEAM RETAINER SEAL	1	1	1	1			
54	R675006000	RETENCION DE VAPORES	STEAM RETAINER	1	1	1	1			



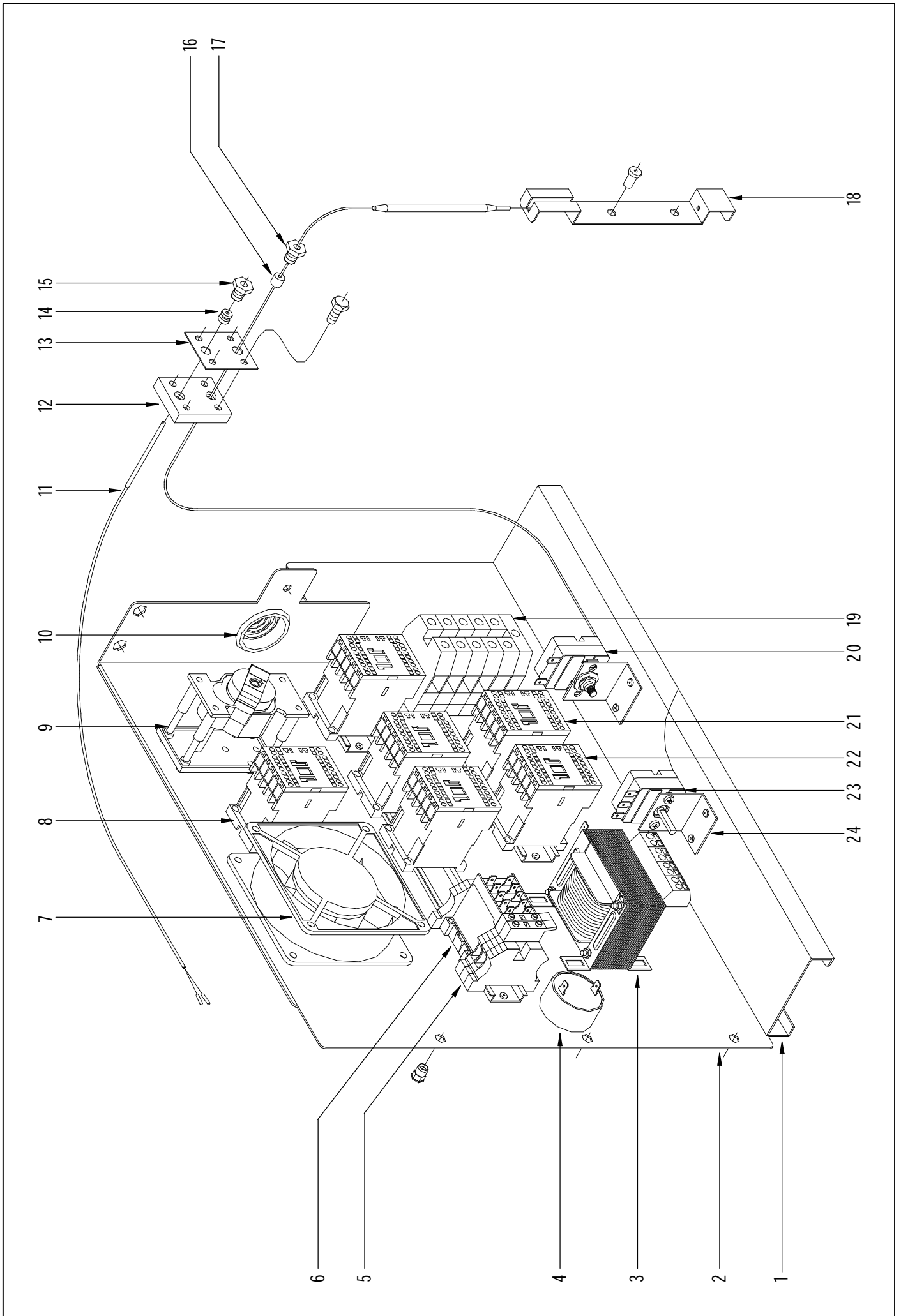
N plano	Firma	Fecha	Aparato	Lamina	Fagor Industrial S.Coop. FAGOR
C-1965	<i>[Signature]</i>	2008-02	SISTEMA ELECTRICO PORTAMANDOS HORNOS HEI 6/11-10/11	7	Oñate

MOD.		HORNOS		ZONA		PARTE ELECTRICA PORTAMANDOS				PLANO		C-1965	
ITEM	CODIGO	DENOMINACION	TEXTO	HEI 6/11	HEI 10/11							NOTAS	
1	R692815000	PORTAMANDOS COMPL. HEI-6/11	CONTROL HOLDER HEI-6/11	1	—								
1	R702806000	PORTAMANDOS COMPL. HEI-10/11	CONTROL HOLDER HEI-10/11	—	1								
	Q152004000	TORNILLO APLAST. M5X13 A 304	MUSHROOM HEAD BOLT M5X13	3	3								
	R692806000	SOPORTE COMPONENTES HMI	COMPONENT SUPPORT HMI	1	1								
	R663036000	FIJACION CIRCUITO	CIRCUIT ATTACHMENT	4	4								
	R693011000	RESISTENCIA 1K8 4W	RESISTOR 1K8 4W	1	1								
2	R693093000	SERIGRAFIA HEI-6/11	SERIGRAPHY HEI-6 / 11	1	—								
2	R703042000	SERIGRAFIA HEI-10/11	SERIGRAPHY HEI-10 / 11	—	1								
3	R753000000	CONMUTADOR DE POTENCIA	POWER SWITCH	—	1								
4	R663062000	BOTÓN DE MANDO COMPLETO	COMPLETE CONTROL BUTTON	2	3								
	R663046000	JUNTA CONMUTADOR	SWITCH SEAL	2	3								
5	R663032000	PULSADOR L41M8M959F	BUTTON L41M8M959F	1	1								
6	R723000000	TEMPORIZADOR MANUAL	MANUAL TIMER	1	1								
7	R663063000	BOTÓN DE MANDO COMPLETO	COMPLETE CONTROL BUTTON	1	1								
8	R663045000	JUNTA POTENCIOMETRO	POTENTIOMETER SEAL	1	1								
	R662810000	ARANDELA GUIA	GUIDE WASHER	1	1								
9	R662809000	GUIA BOTON DE MANDO	CONTROL BUTTON GUIDE	1	1								
	Q151346000	TORNILLO AVELLANADO M3x5	COUNTERSUNK BOLT M3x5	2	2								
10	R743013000	TERMOSTATO ELECTRONICO 270°C	ELECTRONIC THERMOSTAT 270°	1	1								
11	R693004000	CONMUTADOR DE FUNCIONES	FUNCTIONS SWITCH	1	1								
12	R693056000	PILOTO AMBAR 41227000A4	AMBER PILOT 41227000A4	2	2								
13	R693055000	PILOTO VERDE 41227000C7	GREEN PILOT 41227000C7	1	1								
14	R663092000	CONECTOR 2 VIAS	2-WAY CONNECTOR	1	1								
15	R663090000	CONJUNTO TERMOPAR	THERMOCOUPLE UNIT	1	1								
16	R662659000	APOYO RACORD SONDA	PROBE CONNECTION SUPPORT	1	1								
17	R692811000	JUNTA PASAMUROS DOBLE	DOUBLE FEEDTHROUGH GASKE	1	1								
18	R662652000	BICONO CIERRE SONDA	PROBE CLOSING BICONE	1	1								
19	R662629000	RACORD CIERRE SONDA	PROBE CLOSING CONNECTION	1	1								
	Q032021000	TORNILLO ALOMADO M4X10	CURVED SCREW M4X10	4	4								
	Q232020000	ARANDELA A-4	WASHER A-4	4	4								



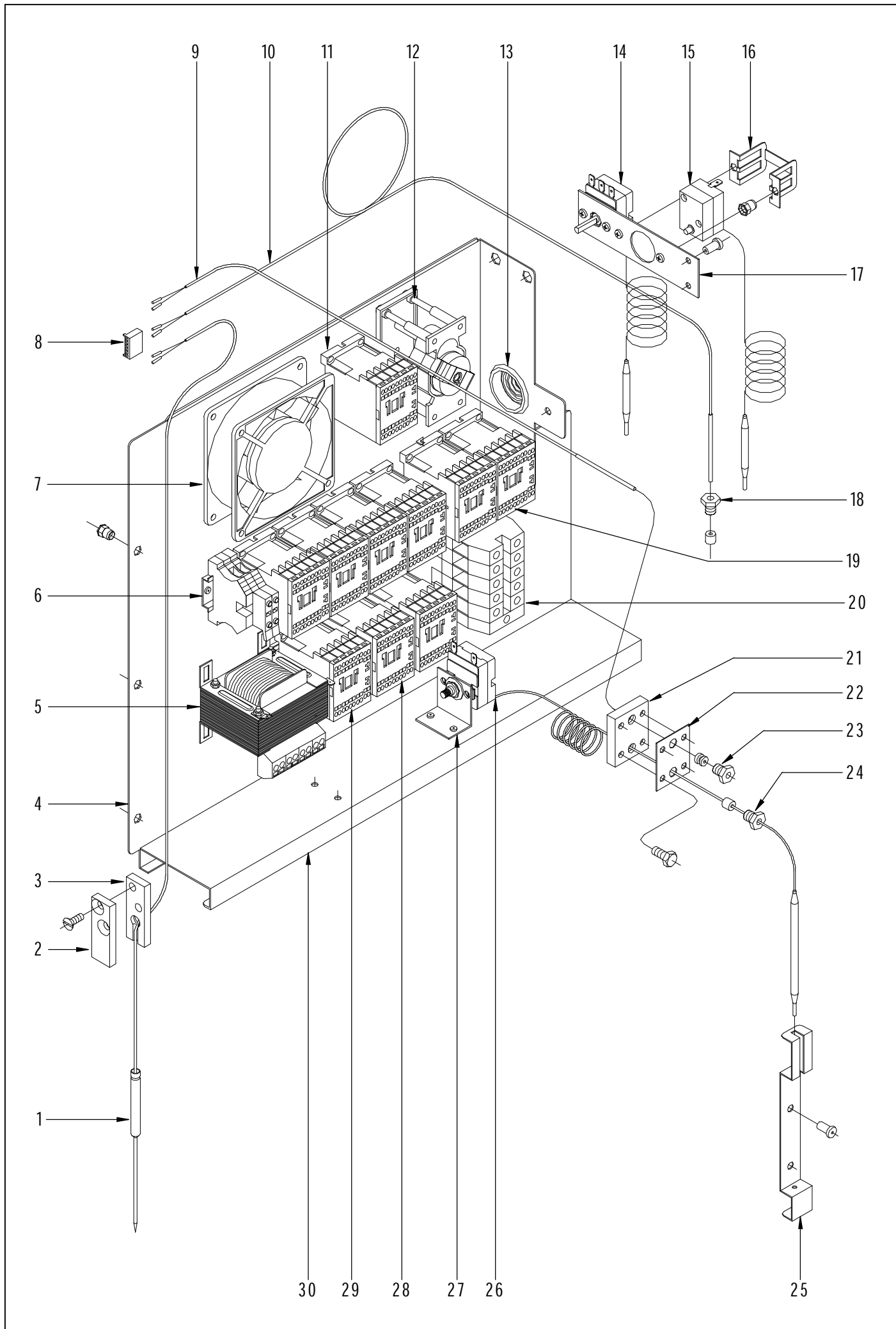
N plano	Firma	Fecha	Aparato	SISTEMA ELECTRICO PORTAMANDOS	Lamina	Fagor Industrial S.Coop. FAGOR
C-1966	<i>[Signature]</i>	2008-02	HORNOS HEM; HEP 6/11-10/11	8	Oñate	

MOD.		HORNOS		ZONA	PARTE ELECTRICA PORTAMANDOS				PLANO	C-1966	
ITEM	CODIGO	DENOMINACION	TEXTO	HEM 6/11	HEP 6/11	HEM 10/11	HEP 10/11				
1	R662831000	PORTAMANDOS COMPL. HEM-6/11	COMPL. CONTROL HOLDER HEM	1	1	-	-				
1	R672831000	PORTAMANDOS COMP. HEM-10/11	COMP. CONTROL HOLDER HEM-	-	-	1	1				
2	R663097000	SERIGRAFIA HEM-6/11	SERIGRAPHY HEM-6/11	1	-	-	-				
2	R663098000	SERIGRAFIA HEP-6/11	SERIGRAPHY HEP-6/11	-	1	-	-				
2	R673067000	SERIGRAFIA HEM-10/11 20/11	SERIGRAPHY HEM-10/11 20/11	-	-	1	-				
2	R673068000	SERIGRAFIA HEP-10/11 20/11	SERIGRAPHY HEP-10/11 20/11	-	-	-	1				
3	R663046000	JUNTA CONMUTADOR	SWITCH SEAL	2	2	2	2				
4	R663062000	BOTÓN DE MANDO COMPLETO	COMPLETE CONTROL BUTTON	2	2	2	2				
5	R663026000	CONMUTADOR FUNC 3P HME/P	FUNCTION SWITCH 3P HME/P	1	1	1	1				
6	R663063000	BOTÓN DE MANDO COMPLETO	COMPLETE CONTROL BUTTON	2	2	2	2				
7	R663045000	JUNTA POTENCIOMETRO	POTENTIOMETER SEAL	2	2	2	2				
8	R662810000	ARANDELA GUIA	GUIDE WASHER	2	2	2	2				
9	R662809000	GUIA BOTON DE MANDO	CONTROL BUTTON GUIDE	2	2	2	2				
	Q151346000	TORNILLO AVELLANADO M3x5	COUNTERSUNK BOLT M3x5	4	4	4	4				
10	R663025000	CONMUTADOR FUNC 6P HME/P	FUNCTION SWITCH 6P HME/P	1	1	1	1				
11	R663032000	PULSADOR L41M8M959F	BUTTON L41M8M959F	3	3	3	3				
12	R663005000	SOPORTE CIRCUITO IMPRESO	PRINTED CIRCUIT SUPPORT	1	1	1	1				
13	R663050000	CIRCUITO IMPRESO MANDO	PRINTED CIRCUIT CONTROL	1	1	1	1				
14	R663085000	CIRCUITO IMPR. CONTROL PROGR	PRINTED CIRCUIT CONTROL PR	1	1	1	1				
15	R663036000	FIJACION CIRCUITO	CIRCUIT ATTACHMENT	6	6	6	6				
16	R663035000	SEPARADOR 19,1 MM. HME/P	SEPARATOR 19.1 MM. HME/P	4	4	4	4				
17	R663008000	SOPORTE CONMUTADOR	SWITCH SUPPORT	2	2	2	2				
	Q151320000	TORN. ALOMADO M4X6 H.ZINCADO	HEXAGONAL CURVED HEAD M4X	12	12	12	12				
18	R663004000	CIRCUITO IMPRESO PROGRAMA	PRINTED CIRCUIT PROGRAMME	-	1	-	1				
19	R663036000	FIJACION CIRCUITO	CIRCUIT ATTACHMENT	-	4	-	4				



N plano C-1967	Firma <i>[Signature]</i>	Fecha 2008-02	Aparato CUADRO ELECTRICO HORNOS HEI 6/11-10/11	Lamina 9	Fagor Industrial S.Coop. FAGOR Onate
-------------------	-----------------------------	------------------	--	-------------	--

MOD.		HORNOS		ZONA	CUADRO ELECTRICO				PLANO	C-1967
ITEM	CODIGO	DENOMINACION	TEXTO	HEI 6/11	HEI 10/11					NOTAS
1	R723101000	CONTRAGUIA CUADRO HCG	SWITCHBOARD COUNTERGUIDE	1	1					
	Q412002000	REMACHE AVINOX Ø4x10MM	RIVET AVINOX Ø4x10MM	7	7					
2	R663081000	PANEL CUADRO 6-10-20/11 ELECT	SWITCHBOARD PANEL 6-10-20/11	1	1					
	Q221342000	REMACHE EXAGONAL M5	HEXAGONAL RIVET M5	3	3					
3	R503005000	TRANSFORMADOR	TRANSFORMER	1	1					
	Q032021000	TORNILLO ALOMADO M4x10	CURVED SCREW M4X10	4	4					
	Q162020000	TUERCA EXAGONAL M4	HEXAGONAL NUT M4	4	4					
4	R693067000	ZUMBADOR	BUZZER	1	1					
5	R073005000	BORNAS PORTA FUSIBLES	FUSE HOLDER TERMINALS	2	2					
	P184011000	CARTUCHO FUSIBLE 4.A	FUSE CARTRIDGE 4.A	2	2					
	Z263303000	TOPE FINAL	END STOP	3	3					
6	Z683087000	CONTACTOR 3TF20 01-3AL2 230	CONTACTOR 3TF20 01-3AL2 230	1	1					
	Z263303000	TOPE FINAL	END STOP	1	1					
7	Z103066000	VENTILADOR 230V.50-60HZ	FAN 230V.50-60HZ	1	1					
8	Z743009000	CONTAC. SIRIUS 3RT10 16-2AP02	CONTACT. SIRIUS 3RT10 16-2AP02	1	1					
9	R763006000	PROGRAMADOR INVERSION GIRO	INVERT ROTATION PROGRAMME	1	1					
	Z123018000	GUIA CONTACTOR L-55	CONTACTOR GUIDE L-55	1	1					
10	N103013000	PASA CABLES	CABLE PROTECTOR	1	1					
11	R663090000	CONJUNTO TERMOPAR	THERMOCOUPLE UNIT	1	1					
12	R662659000	APOYO RACORD SONDA	PROBE CONNECTION SUPPORT	1	1					
13	R692811000	JUNTA PASAMUROS DOBLE	DOUBLE FEEDTHROUGH GASKE	1	1					
14	R662652000	BICONO CIERRE SONDA	PROBE CLOSING BICONE	1	1					
15	R662629000	RACORD CIERRE SONDA	PROBE CLOSING CONNECTION	1	1					
	Q032021000	TORNILLO ALOMADO M4X10	CURVED SCREW M4X10	4	4					
	Q232020000	ARANDELA A-4	WASHER A-4	4	4					
16	R662662000	JUNTA CIERRE BULBO LIMITADOR	BULB LIMITER CLOSING SEAL	1	1					
17	R662629000	RACORD CIERRE SONDA	PROBE CLOSING CONNECTION	1	1					
	Q412002000	REMACHE AVINOX Ø4x10MM	RIVET AVINOX Ø4x10MM	4	4					
18	R662683000	SOPORTE BULBO	BULB SUPPORT	1	1					
	Q412002000	REMACHE AVINOX Ø4x10MM	RIVET AVINOX Ø4x10MM	2	2					



N plano	Firma	Fecha	Aparato	CUADRO ELECTRICO	Lamina	Fagor Industrial S.Coop. FAGOR
C-1968	<i>[Signature]</i>	2008-02	HORNOS HEM; HEP 6/11-10/11	10	Oñate	

MOD.	HORNOS		ZONA	CUADRO ELECTRICO				PLANO	C-1968	
ITEM	CODIGO	DENOMINACION	TEXTO	HEM 6/11	HEP 6/11	HEM 10/11	HEP 10/11			NOTAS
1	R673076000	CONJUNTO Sonda NUCLEO J XX/11	CORE PROBE UNIT J XX/11	1	1	1	1			
	Q221341000	REMACHE EXAGONAL M4	HEXAGONAL RIVET M4	2	2	2	2			
	Q042022000	TORNILLO AVELLANADO M4X15	COUNTERSUNK BOLT M4x15	2	2	2	2			
2	T133037000	TAPA SUJECION Sonda	PROBE ATTACHMENT COVER	1	1	1	1			
3	T133036000	BASE SUJECION Sonda	PROBE ATTACHMENT BASE	1	1	1	1			
4	R663081000	PANEL CUADRO 6-10-20/11 ELECT	SWITCHBOARD PANEL 6-10-20/11	1	1	1	1			
	Q221342000	REMACHE EXAGONAL M5	HEXAGONAL RIVET M5	3	3	3	3			
5	R503005000	TRANSFORMADOR	TRANSFORMER	1	1	1	1			
	Q032021000	TORNILLO ALOMADO M4x10	CURVED SCREW M4X10	4	4	4	4			
	Q162020000	TUERCA EXAGONAL M4	HEXAGONAL NUT M4	4	4	4	4			
6	R073005000	BORNAS PORTA FUSIBLES	FUSE HOLDER TERMINALS	2	2	2	2			
	P184011000	CARTUCHO FUSIBLE 4.A	FUSE CARTRIDGE 4.A	2	2	2	2			
	Z263303000	TOPE FINAL	END STOP	2	2	2	2			
7	Z103066000	VENTILADOR 230V.50-60HZ	FAN 230V.50-60HZ	1	1	1	1			
	Q032021000	TORNILLO ALOMADO M4X10	CURVED SCREW M4X10	4	4	4	4			
	Q232020000	ARANDELA A-4	WASHER A-4	4	4	4	4			
	Q162020000	TUERCA EXAGONAL M4	HEXAGONAL NUT M4	4	4	4	4			
8	R663093000	CONECTOR 6 VIAS	6-WAY CONNECTOR	1	1	1	1			
9	R663090000	CONJUNTO TERMOPAR	THERMOCOUPLE UNIT	1	1	1	1			
10	R663089000	CONJ. TERMOPAR VAPOR HME/P	STEAM THERMOCOUPLE UNIT H	1	1	1	1			
11	Z743009000	CONTACT. SIRIUS 3RT10 16-2AP02	CONTACT. SIRIUS 3RT10 16-2AP	1	1	1	1			
12	R763006000	PROGRAMADOR INVERSION GIRO	INVERT ROTATION PROGRAMME	1	1	1	1			
	Z123018000	GUIA CONTACTOR L-55	CONTACTOR GUIDE L-55	1	1	1	1			
13	N103013000	PASA CABLES	CABLE PROTECTOR	1	1	1	1			
14	R343100000	TERMOSTATO CONduc. VAPOR	THERMOSTAT STEAM PIPE	1	1	1	1			
15	Z213014000	LIMITADOR TECASA P.	LIMITER TECASA P.	1	1	1	1			
16	Z203060000	AMARRE LIMITADOR TECASA	LIMITER FASTENING TECASA	1	1	1	1			
	Q221341000	REMACHE EXAGONAL M4	HEXAGONAL RIVET M4	2	2	2	2			
17	R673077000	SOPORTE AMARRE TERMOSTATOS	THERMOSTAT ATTACHMENT SU	1	1	1	1			
	Q412002000	REMACHE AVINOX Ø4x10MM	RIVET AVINOX Ø4x10MM	2	2	2	2			

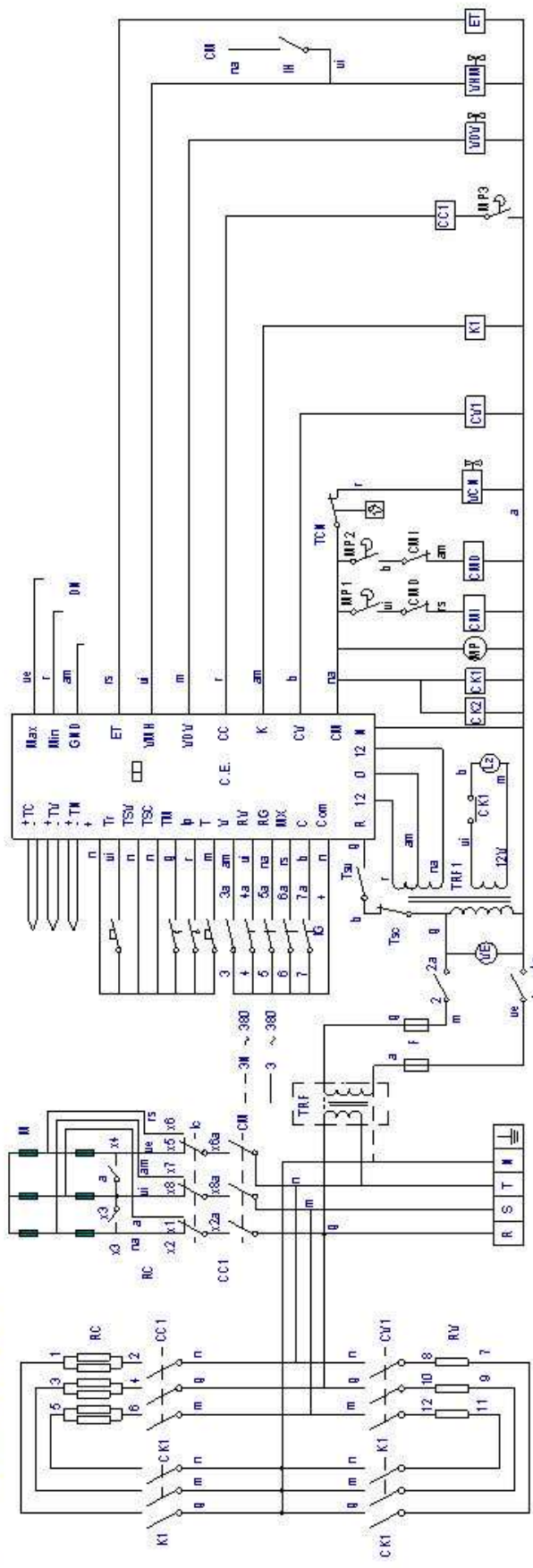
MOD.											
HORNOS			ZONA	CUADRO ELECTRICO				PLANO		C-1968	
ITEM	CODIGO	DENOMINACION	TEXTO	HEM 6/11	HEP 6/11	HEM 10/11	HEP 10/11				NOTAS
18	R662629000	RACORD CIERRE SONDA	PROBE CLOSING CONNECTION	1	1	1	1				
	3712400000	TUBO SILICONA NEGRO Ø 8*3	BLACK SILICONE PIPE Ø 8*3	1	1	1	1				
19	Z203050000	CONTACTOR SIRIUS 3R 230V.50-60	SIRIUS CONTACTOR 3R 230V.50-	4	4	6	6				
	R693009000	GUIA CONTACTOR L-250	CONTACTOR GUIDE L-250	1	1	1	1				
20	P453025000	BORNES 10 WDU-10203.O	TERMINALS 10 WDU-10203.O	3	3						
20	R263003000	BORNA PASO 35MM	THROUGH TERMINAL 35MM			3	3				
	Z263302000	BORNA DE PASO AZUL	BLUE THROUGH TERMINAL	1	1						
	R673010000	BORNA PASO AZUL 35MM	THROUGH TERMINAL BLUE 35MM			1	1				
	P453026000	BORNE TIER 10 WPE-10103.O	TERMINAL TIER 10 WPE-10103.O	1	1						
	Z103035000	BORNA TIERRA 35MM	EARTH TERMINAL 35MM			1	1				
	Z683096000	TOPE FINAL WEW35 10590.0	END STOP WEW35 10590.0			1	1				
	Z683068000	SEÑALIZ.DEK-6WEIDMULLER	SIGNS DEK-6WEIDMULLER	1	1	1	1				
	R663055000	GUIA CONTACTOR L-120	CONTACTOR GUIDE L-120	1	1	1	1				
21	R662659000	APOYO RACORD SONDA	PROBE CONNECTION SUPPORT	1	1	1	1				
22	R692811000	JUNTA PASAMUROS DOBLE	DOUBLE FEEDTHROUGH GASKE	1	1	1	1				
23	R662629000	RACORD CIERRE SONDA	PROBE CLOSING CONNECTION	1	1	1	1				
	R662652000	BICONO CIERRE SONDA	PROBE CLOSING BICONE	1	1	1	1				
24	R662629000	RACORD CIERRE SONDA	PROBE CLOSING CONNECTION	1	1	1	1				
	R662662000	JUNTA CIERRE BULBO LIMITADOR	BULB LIMITER CLOSING SEAL	1	1	1	1				
	Q012021000	TORNILLO EXAGONAL M4x10 A304	HEXAGONAL BOLT M4x10 A304	4	4	4	4				
25	R662683000	SOPORTE BULBO	BULB SUPPORT	1	1	1	1				
	Q412002000	REMACHE AVINOX Ø4x10MM	RIVET AVINOX Ø4x10MM	4	4	4	4				
26	R243016000	LIMITADOR TEMPERATURA	TEMPERATURE LIMITER	1	1	1	1				
27	R343039000	SOPORTE TERMOS VAPOR	STEAM THERMOSTAT SUPPORT	1	1	1	1				
	Q412002000	REMACHE AVINOX Ø4x10MM	RIVET AVINOX Ø4x10MM	2	2	2	2				
28	Z203050000	CONTACTOR SIRIUS 3R 230V.50-60	SIRIUS CONTACTOR 3R 230V.50-			2	2				
	Z103084000	GUIA CONTACTOR L-138 "	CONTACTOR GUIDE L-138 "	1	1	1	1				
29	Z743009000	CONT.SIRIUS 3RT10 16-2AP02	SIRIUS CONT. 3RT10 16-2AP02	1	1	1	1				
30	R723101000	CONTRAGUIA CUADRO HCG	SWITCHBOARD COUNTERGUIDE	1	1	1	1				
	Q412002000	REMACHE AVINOX Ø4x10MM	RIVET AVINOX Ø4x10MM	7	7	7	7				

MOD.		HORNOS		ZONA	VARIOS					PLANO	
ITEM	CODIGO	DENOMINACION	TEXTO	HEI 6/11	HEM 6/11	HEP 6/11	HEI 10/11	HEM 10/11	HEP 10/11		
	R696501000	FOLLETO INSTRUCCIONES HMI	INSTRUCTION LEAFLET HMI	1	-	-	1	-	-		
	R666501000	FOLLETO DE INSTRUC. HME/HMP	INSTRUCTION LEAFLET HME/HM	-	1	1	-	1	1		
	R693018000	ESQUEMA TEORICO HEI 6/11	THEORETICAL DIAGRAM HEI 6/11	1	-	-	-	-	-		PLANO HC-78371
	R663001000	ESQUEMA TEORICO HEM6/11	THEORETICAL DIAGRAM HEM6/11	-	1	1	-	-	-		PLANO HC-78304
	R703041000	ESQUEMA TEORICO HEI 10/11	THEORETICAL DIAGRAM HEI 10/11	-	-	-	1	-	-		PLANO HC-76614
	R673074000	ESQUEMA TEORICO HEM/P 10/11	THEORETICAL DIAGRAM HEM/P	-	-	-	-	1	1		PLANO HC-78178
	R693070000	ESQUEMA DE MONTAJE HMI-6-11	ASSEMBLY DIAGRAM HMI-6-11	1	-	-	-	-	-		PLANO HC-73225
	R663082000	ESQUEMA MONTAJE HME/P-6-11	ASSEMBLY DIAGRAM HME/P -6/-	-	1	1	-	-	-		PLANO HD-12680
	R703016000	ESQUEMA DE MONTAJE HMI	ASSEMBLY DIAGRAM HMI	-	-	-	1	-	-		PLANO HC-73224
	R143018000	ESQUEMA DE MONTAJE HEM/HEP	ASSEMBLY DIAGRAM HEM/HEP	-	-	-	-	1	1		PLANO HD-12681
	R693089000	INSTALACION ELECTRICA HMI	ELECTRICAL INSTALLATION HMI	1	-	-	1	-	-		
	R143017000	INSTALACION ELECTR. HME/HMP	ELEC. INSTALLATION HME/HMP	-	1	1	-	1	1		
	R693066000	CABLEADO FUERZA E-P-I-M 6/11	POWER CABLES E-P-I-M 6/11	1	1	1	-	-	-		
	R143005000	CABLEADO FUERZA CONVECCION	WIRING TO CONVECTION	-	-	-	1	1	1		
	R693065000	CABLEADO FUERZA HMI 6/11	WIRING HMI 6/11	1	-	-	-	-	-		
	R663074000	CABLEADO FUERZA E-M-P 6/11	POWER CABLES E-M-P 6/11	-	1	1	-	-	-		
	R703013000	CABLEADO FUERZA HMI 10/11	WIRING HMI 10/11	-	-	-	1	-	-		
	R673013000	CABLEADO FUERZA CUADRO ELE.	WIRING TO SWITCHBOARD	-	-	-	-	1	1		
	R663075000	CABLE. FUERZA VAPOR E-M-P 6/11	CABLE. STEAM POWER E-M-P 6/11	-	1	1	-	-	-		
	R143004000	CABLEADO FUERZA VAPOR	WIRING TO STEAM	-	-	-	-	1	1		
	R093024000	CABLEADO LUZ INTERIOR	INTERIOR LIGHT WIRING	1	1	1	1	1	1		
	R763007000	CABLEADO INVERSION GIRO E	WIRING INVERT ROTATION E	1	1	1	1	1	1		
	R763011000	MONTAJE INVERSION GIRO HMM	ASSEMBLY INVERT ROTATION H	1	1	1	1	1	1		
	R143009000	INSTALACION DOBLE POTENCIA	DOUBLE POWER INSTALLATION	-	-	-	-	1	1		
	R663041000	CONEXION CONTROL PROGRAMA	CONNECTION PROGRAMME CON	-	-	1	-	-	1		

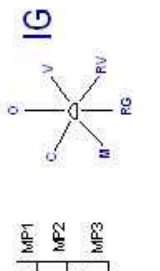
HEM - 6/11 E61 GHN

HEM - 6/11

3N ~ 50/60Hz = 380/415V



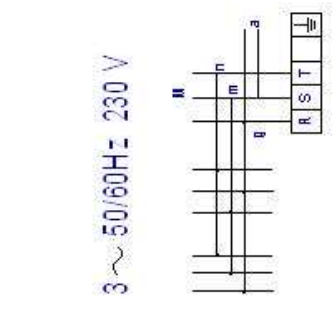
Indicador	1	2	3	4	5	6	7	8	9	10	11	12
OFF												
VERBOR	X	X	X	X	X	X	X	X	X	X	X	X
RELEVE	X	X	X	X	X	X	X	X	X	X	X	X
AVISO	X	X	X	X	X	X	X	X	X	X	X	X
EXHAUSTOR	X	X	X	X	X	X	X	X	X	X	X	X



segundos (60Hz)	MP1	MP2	MP3
100"	20"	100"	20"

- am = amarelo-yellow
- az = azul-blue
- b = branco-white
- g = cinza-grey
- ve = verde-green
- ta = tampa-orange
- r = vermelho-red
- m = marrom-brown
- ls = preto-black
- vi = violeta-violet

- TRF - Transformer
- ET - Chimney socket
- K - Power selector switch
- VCH - Steam release socket
- TV - Steam probe
- TC - Control probe
- TN - Footplate
- M - Motor
- CC1/CC2 - Heating air relays
- CV1/CV2 - Heating water relays
- CK1/CK2/CK3 - Flame relays
- TCN - Steam condenser thermostat
- TH - Humidity switch
- T - Thermostat
- PC - Heating element
- MP - Thermostat selector



R-963001

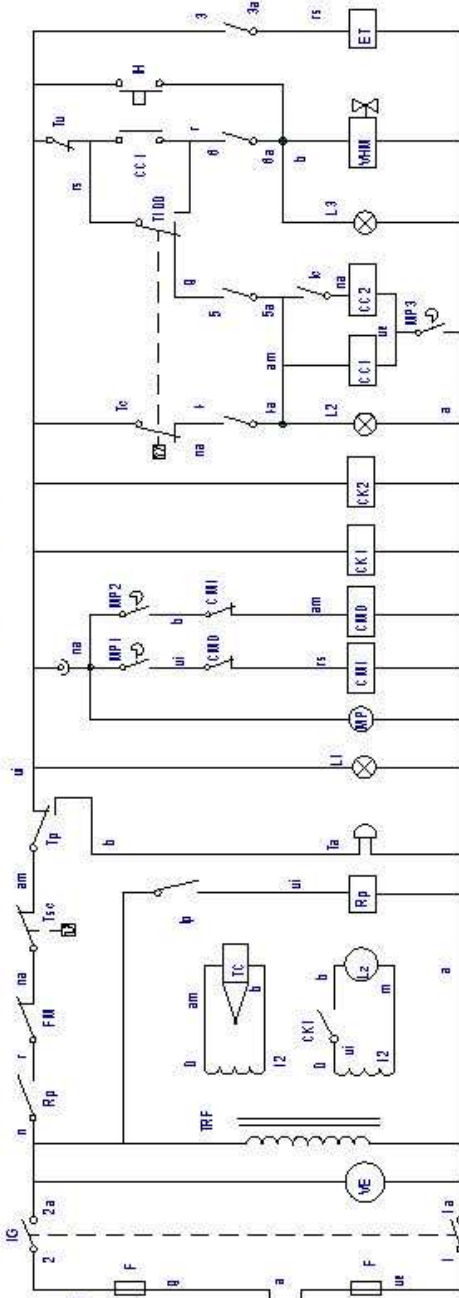
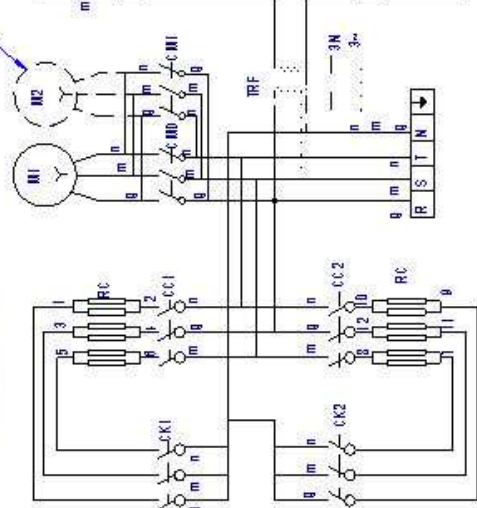
antes = analfase de-yellow-green-lan-revert

ESQUEMATEORICO HEM, HEP 6/11		R663001000	
Nº Projeto	Cart	Material	Avançado
Nº Modificação		Proposta de	Totalmente
		50-100% 5-25% 25-50% X4	
Fina		Mecanizado experimental	
M. Início		25-09-2005	
M. Fim		25-09-2005	
Completado		25-09-2005	
Escala			
FAGOR Fagor Industrial, S.p.A. - Bergamo			
Plano número HC - 78304			
Sistema de N° 1672270			
Sistema de N° 1672270			

HORNO MIXTO HEM HEP

HEI-10/11, HEI-20-11

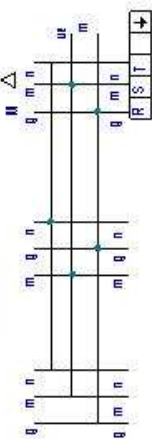
3N-50.60Hz 380/415V



0 ——— V
C ——— Y
M

- TRF: TRF I = Transformer
- ET = Chimney solenoid
- k-p = Over reduction switch
- WN = Steam condenser solenoid
- W = Steam probe
- TC = Conduction probe
- TM = Food probe
- M = Motor
- CC1, CC2 = Heating air relays
- CMI, CK1, CK2 = Heating water relays
- TV = Steam condenser thermostat
- HN = Humidity switch
- T = Timer of food probe set door
- RP = Heating element
- MP = Motor's limit switch
- P = Door's switch
- IG = General switch
- F = Fuse
- CMI = Right Motor's relay
- CK1 = Left Motor's relay
- MP = Steam's solenoid
- WN = Water level control
- TM = Motor's thermal protection
- TSC = Steam's security thermostat
- LZ = Indoor light
- VHM = Humidity water solenoid
- CE = Electronic main control
- RV = Steam pressure limit
- VE = Control panel's fan
- Tr = Chimney's solenoid

3-50.60Hz 220V

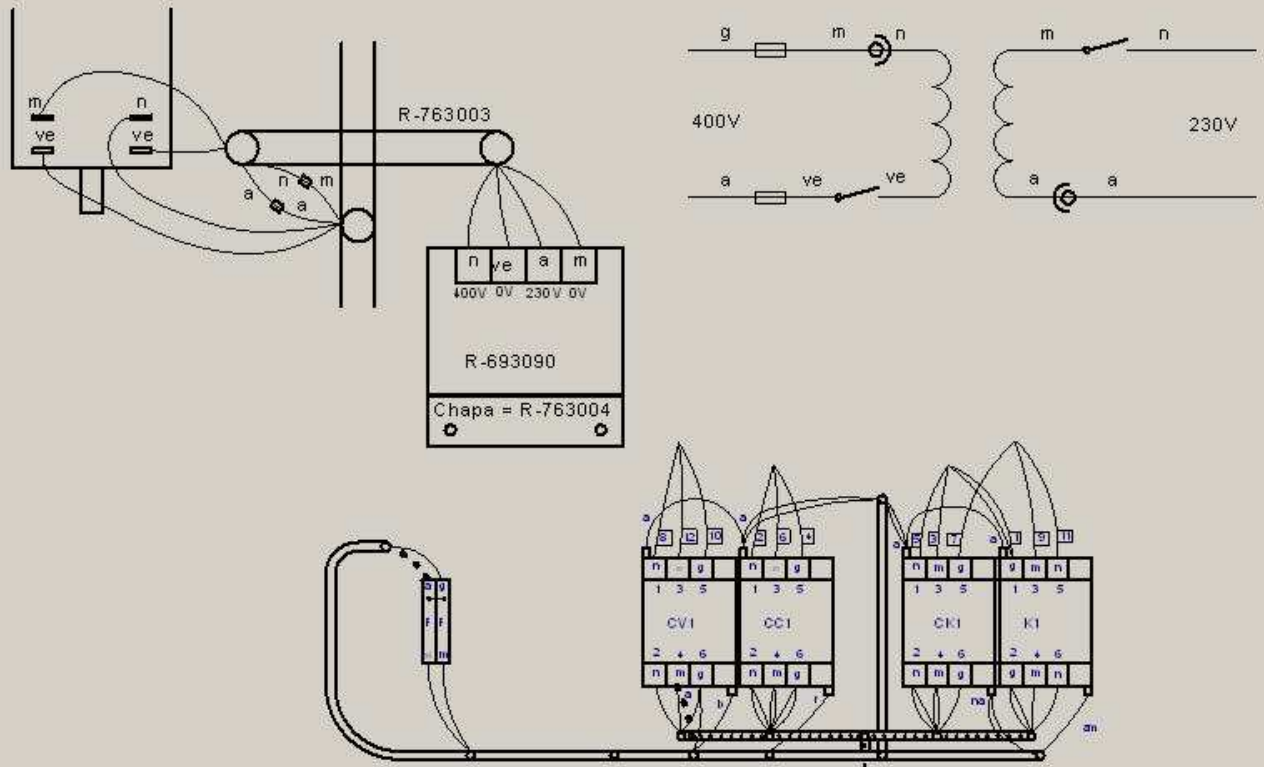


se segundos (60Hz)

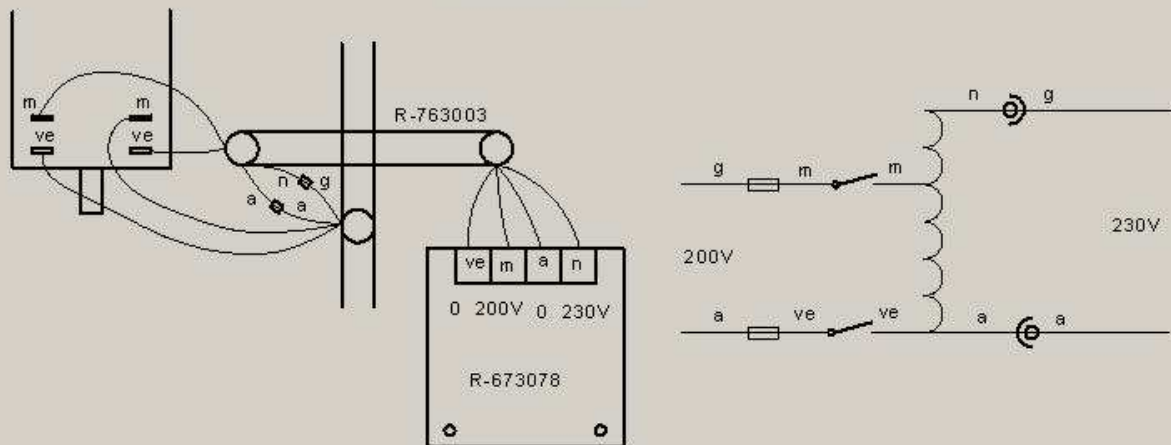
MP1	MP2	MP3
100"	20"	100"
1	2	3
1a	2a	3a
1b	2b	3b
1c	2c	3c
1d	2d	3d
1e	2e	3e
1f	2f	3f
1g	2g	3g
1h	2h	3h
1i	2i	3i
1j	2j	3j
1k	2k	3k
1l	2l	3l
1m	2m	3m
1n	2n	3n
1o	2o	3o
1p	2p	3p
1q	2q	3q
1r	2r	3r
1s	2s	3s
1t	2t	3t
1u	2u	3u
1v	2v	3v
1w	2w	3w
1x	2x	3x
1y	2y	3y
1z	2z	3z
1aa	2aa	3aa
1ab	2ab	3ab
1ac	2ac	3ac
1ad	2ad	3ad
1ae	2ae	3ae
1af	2af	3af
1ag	2ag	3ag
1ah	2ah	3ah
1ai	2ai	3ai
1aj	2aj	3aj
1ak	2ak	3ak
1al	2al	3al
1am	2am	3am
1an	2an	3an
1ao	2ao	3ao
1ap	2ap	3ap
1aq	2aq	3aq
1ar	2ar	3ar
1as	2as	3as
1at	2at	3at
1au	2au	3au
1av	2av	3av
1aw	2aw	3aw
1ax	2ax	3ax
1ay	2ay	3ay
1az	2az	3az
1ba	2ba	3ba
1bb	2bb	3bb
1bc	2bc	3bc
1bd	2bd	3bd
1be	2be	3be
1bf	2bf	3bf
1bg	2bg	3bg
1bh	2bh	3bh
1bi	2bi	3bi
1bj	2bj	3bj
1bk	2bk	3bk
1bl	2bl	3bl
1bm	2bm	3bm
1bn	2bn	3bn
1bo	2bo	3bo
1bp	2bp	3bp
1bq	2bq	3bq
1br	2br	3br
1bs	2bs	3bs
1bt	2bt	3bt
1bu	2bu	3bu
1bv	2bv	3bv
1bw	2bw	3bw
1bx	2bx	3bx
1by	2by	3by
1bz	2bz	3bz
1ca	2ca	3ca
1cb	2cb	3cb
1cc	2cc	3cc
1cd	2cd	3cd
1ce	2ce	3ce
1cf	2cf	3cf
1cg	2cg	3cg
1ch	2ch	3ch
1ci	2ci	3ci
1cj	2cj	3cj
1ck	2ck	3ck
1cl	2cl	3cl
1cm	2cm	3cm
1cn	2cn	3cn
1co	2co	3co
1cp	2cp	3cp
1cq	2cq	3cq
1cr	2cr	3cr
1cs	2cs	3cs
1ct	2ct	3ct
1cu	2cu	3cu
1cv	2cv	3cv
1cw	2cw	3cw
1cx	2cx	3cx
1cy	2cy	3cy
1cz	2cz	3cz
1da	2da	3da
1db	2db	3db
1dc	2dc	3dc
1dd	2dd	3dd
1de	2de	3de
1df	2df	3df
1dg	2dg	3dg
1dh	2dh	3dh
1di	2di	3di
1dj	2dj	3dj
1dk	2dk	3dk
1dl	2dl	3dl
1dm	2dm	3dm
1dn	2dn	3dn
1do	2do	3do
1dp	2dp	3dp
1dq	2dq	3dq
1dr	2dr	3dr
1ds	2ds	3ds
1dt	2dt	3dt
1du	2du	3du
1dv	2dv	3dv
1dw	2dw	3dw
1dx	2dx	3dx
1dy	2dy	3dy
1dz	2dz	3dz
1ea	2ea	3ea
1eb	2eb	3eb
1ec	2ec	3ec
1ed	2ed	3ed
1ee	2ee	3ee
1ef	2ef	3ef
1eg	2eg	3eg
1eh	2eh	3eh
1ei	2ei	3ei
1ej	2ej	3ej
1ek	2ek	3ek
1el	2el	3el
1em	2em	3em
1en	2en	3en
1eo	2eo	3eo
1ep	2ep	3ep
1eq	2eq	3eq
1er	2er	3er
1es	2es	3es
1et	2et	3et
1eu	2eu	3eu
1ev	2ev	3ev
1ew	2ew	3ew
1ex	2ex	3ex
1ey	2ey	3ey
1ez	2ez	3ez
1fa	2fa	3fa
1fb	2fb	3fb
1fc	2fc	3fc
1fd	2fd	3fd
1fe	2fe	3fe
1ff	2ff	3ff
1fg	2fg	3fg
1fh	2fh	3fh
1fi	2fi	3fi
1fj	2fj	3fj
1fk	2fk	3fk
1fl	2fl	3fl
1fm	2fm	3fm
1fn	2fn	3fn
1fo	2fo	3fo
1fp	2fp	3fp
1fq	2fq	3fq
1fr	2fr	3fr
1fs	2fs	3fs
1ft	2ft	3ft
1fu	2fu	3fu
1fv	2fv	3fv
1fw	2fw	3fw
1fx	2fx	3fx
1fy	2fy	3fy
1fz	2fz	3fz
1ga	2ga	3ga
1gb	2gb	3gb
1gc	2gc	3gc
1gd	2gd	3gd
1ge	2ge	3ge
1gf	2gf	3gf
1gg	2gg	3gg
1gh	2gh	3gh
1gi	2gi	3gi
1gj	2gj	3gj
1gk	2gk	3gk
1gl	2gl	3gl
1gm	2gm	3gm
1gn	2gn	3gn
1go	2go	3go
1gp	2gp	3gp
1gq	2gq	3gq
1gr	2gr	3gr
1gs	2gs	3gs
1gt	2gt	3gt
1gu	2gu	3gu
1gv	2gv	3gv
1gw	2gw	3gw
1gx	2gx	3gx
1gy	2gy	3gy
1gz	2gz	3gz
1ha	2ha	3ha
1hb	2hb	3hb
1hc	2hc	3hc
1hd	2hd	3hd
1he	2he	3he
1hf	2hf	3hf
1hg	2hg	3hg
1hh	2hh	3hh
1hi	2hi	3hi
1hj	2hj	3hj
1hk	2hk	3hk
1hl	2hl	3hl
1hm	2hm	3hm
1hn	2hn	3hn
1ho	2ho	3ho
1hp	2hp	3hp
1hq	2hq	3hq
1hr	2hr	3hr
1hs	2hs	3hs
1ht	2ht	3ht
1hu	2hu	3hu
1hv	2hv	3hv
1hw	2hw	3hw
1hx	2hx	3hx
1hy	2hy	3hy
1hz	2hz	3hz
1ia	2ia	3ia
1ib	2ib	3ib
1ic	2ic	3ic
1id	2id	3id
1ie	2ie	3ie
1if	2if	3if
1ig	2ig	3ig
1ih	2ih	3ih
1ii	2ii	3ii
1ij	2ij	3ij
1ik	2ik	3ik
1il	2il	3il
1im	2im	3im
1in	2in	3in
1io	2io	3io
1ip	2ip	3ip
1iq	2iq	3iq
1ir	2ir	3ir
1is	2is	3is
1it	2it	3it
1iu	2iu	3iu
1iv	2iv	3iv
1iw	2iw	3iw
1ix	2ix	3ix
1iy	2iy	3iy
1iz	2iz	3iz
1ja	2ja	3ja
1jb	2jb	3jb
1jc	2jc	3jc
1jd	2jd	3jd
1je	2je	3je
1jf	2jf	3jf
1jg	2jg	3jg
1jh	2jh	3jh
1ji	2ji	3ji
1jj	2jj	3jj
1jk	2jk	3jk
1jl	2jl	3jl
1jm	2jm	3jm
1jn	2jn	3jn
1jo	2jo	3jo
1jp	2jp	3jp
1jq	2jq	3jq
1jr	2jr	3jr
1js	2js	3js
1jt	2jt	3jt
1ju	2ju	3ju
1jv	2jv	3jv
1jw	2jw	3jw
1jx	2jx	3jx
1jy	2jy	3jy
1jz	2jz	3jz
1ka	2ka	3ka
1kb	2kb	3kb
1kc	2kc	3kc
1kd	2kd	3kd
1ke	2ke	3ke
1kf	2kf	3kf
1kg	2kg	3kg
1kh	2kh	3kh
1ki	2ki	3ki
1kj	2kj	3kj
1kk	2kk	3kk
1kl	2kl	3kl
1km	2km	3km
1kn	2kn	3kn
1ko	2ko	3ko
1kp	2kp	3kp
1kq	2kq	3kq
1kr	2kr	3kr
1ks	2ks	3ks
1kt	2kt	3kt
1ku	2ku	3ku
1kv	2kv	3kv
1kw	2kw	3kw
1kx	2kx	3kx
1ky	2ky	3ky
1kz	2kz	3kz
1la	2la	3la
1lb	2lb	3lb
1lc	2lc	3lc
1ld	2ld	3ld
1le	2le	3le
1lf	2lf	3lf
1lg	2lg	3lg
1lh	2lh	3lh
1li	2li	3li
1lj	2lj	3lj
1lk	2lk	3lk
1ll	2ll	3ll
1lm	2lm	3lm
1ln	2ln	3ln
1lo	2lo	3lo
1lp	2lp	3lp
1lq	2lq	3lq
1lr	2lr	3lr
1ls	2ls	3ls
1lt	2lt	3lt
1lu	2lu	3lu
1lv	2lv	3lv
1lw	2lw	3lw
1lx	2lx	3lx
1ly	2ly	3ly
1lz	2lz	3lz
1ma	2ma	3ma
1mb	2mb	3mb
1mc	2mc	3mc
1md	2md	3md
1me	2me	3me
1mf	2mf	3mf
1mg	2mg	3mg
1mh	2mh	3mh
1mi	2mi	3mi
1mj	2mj	3mj
1mk	2mk	3mk
1ml	2ml	3ml
1mm	2mm	3mm
1mn	2mn	3mn
1mo	2mo	3mo
1mp	2mp	3mp
1mq	2mq	3mq
1mr	2mr	3mr
1ms	2ms	3ms
1mt	2mt	3mt
1mu	2mu	3mu
1mv	2mv	3mv
1mw	2mw	3mw
1mx	2mx	3mx
1my	2my	3my
1mz	2mz	3mz
1na	2na	3na</



KIT 400V SIN NEUTRO HORNOS ELECTRICOS xx/11

1100002826



KIT 200V



	Plano de montaje			R-693091	
Nº	Pieza	Cant.	Material	Nº Clasificación	Acabado
Nº	Modificación		Propuesta de	Fecha	Tolerancias generales
01	Añadir modificación necesaria para versión sin neutro		e.carrascal	2008-01-26	<p> $\leq 5\pm$ 50-100± : $5-25\pm$ $> 100\pm$ $25-50\pm$ $\infty\pm$ </p>
	Firma	Fecha	 Fagor Industrial, Koop. EIk, Mugatua		Mecanizado superficial
	Dibujado	KONTXI			7/5/2002
	Proyectado				
	Comprobado				
	Escala	HORNOS			Plano numero
					HB-72194 -01
					Sustituye al N°
					Sustituido por

Plano hau ez da leke erabil ez beriz laguna baleriz gabe