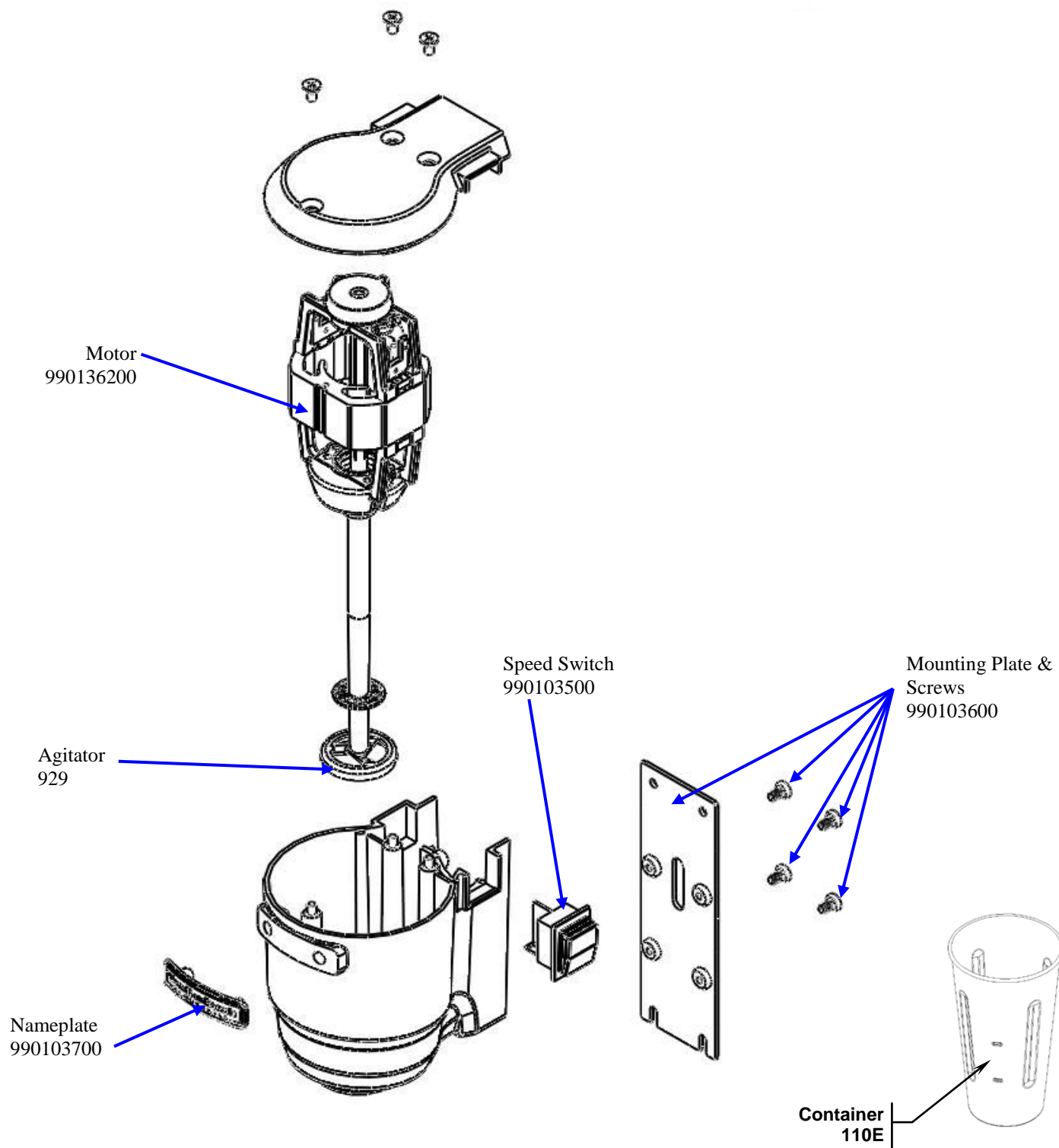



## Replacement Parts Diagram

**PROPRIETARY RIGHTS NOTICE** This document and all information contained within it is the property of Hamilton Beach Brands, Inc. (HBB). It is confidential and proprietary and has been provided to you for a limited purpose. It must be returned or destroyed upon request. Disclosure, reproduction or use of this document and any information contained within it, in full or in part, for any purpose is forbidden without the prior written consent of HBB. No photographs may be taken of any article fabricated or assembled from this document without the prior written consent of HBB.

### Replacement Parts



**Initial Use: HMD300M-220 (Series A-C)**

 <p>Hamilton Beach 4421 Waterfront Drive Glen Allen, VA 23060</p>	Revision Description:		Update Parts				
	Request Number:	DOC4025	Revision Date:	09/10/13	Approved by:	DOC4025	
	Issue Code(s):	CS, SP	Page:	1 of 2	Document #:	<b>540002000</b>	Rev:

## Replacement Parts Diagram

**PROPRIETARY RIGHTS NOTICE** This document and all information contained within it is the property of Hamilton Beach Brands, Inc. (HBB). It is confidential and proprietary and has been provided to you for a limited purpose. It must be returned or destroyed upon request. Disclosure, reproduction or use of this document and any information contained within it, in full or in part, for any purpose is forbidden without the prior written consent of HBB. No photographs may be taken of any article fabricated or assembled from this document without the prior written consent of HBB.

### Accessories

Agitator  
928




Agitator  
990043600



Agitator  
930



 4421 Waterfront Drive Glen Allen, VA 23060	Revision Description:		Update Parts						
	Request Number:		DOC4025	Revision Date:		09/10/13	Approved by:		DOC4025
	Issue Code(s):		CS, SP	Page:	2 of 2	Document #:	<b>540002000</b>	Rev:	<b>E</b>