

Hendi B.V.
 Innovatielaan 6,
 6745 XW De Klomp,
 The Netherlands

Batch #

Hendi Item number

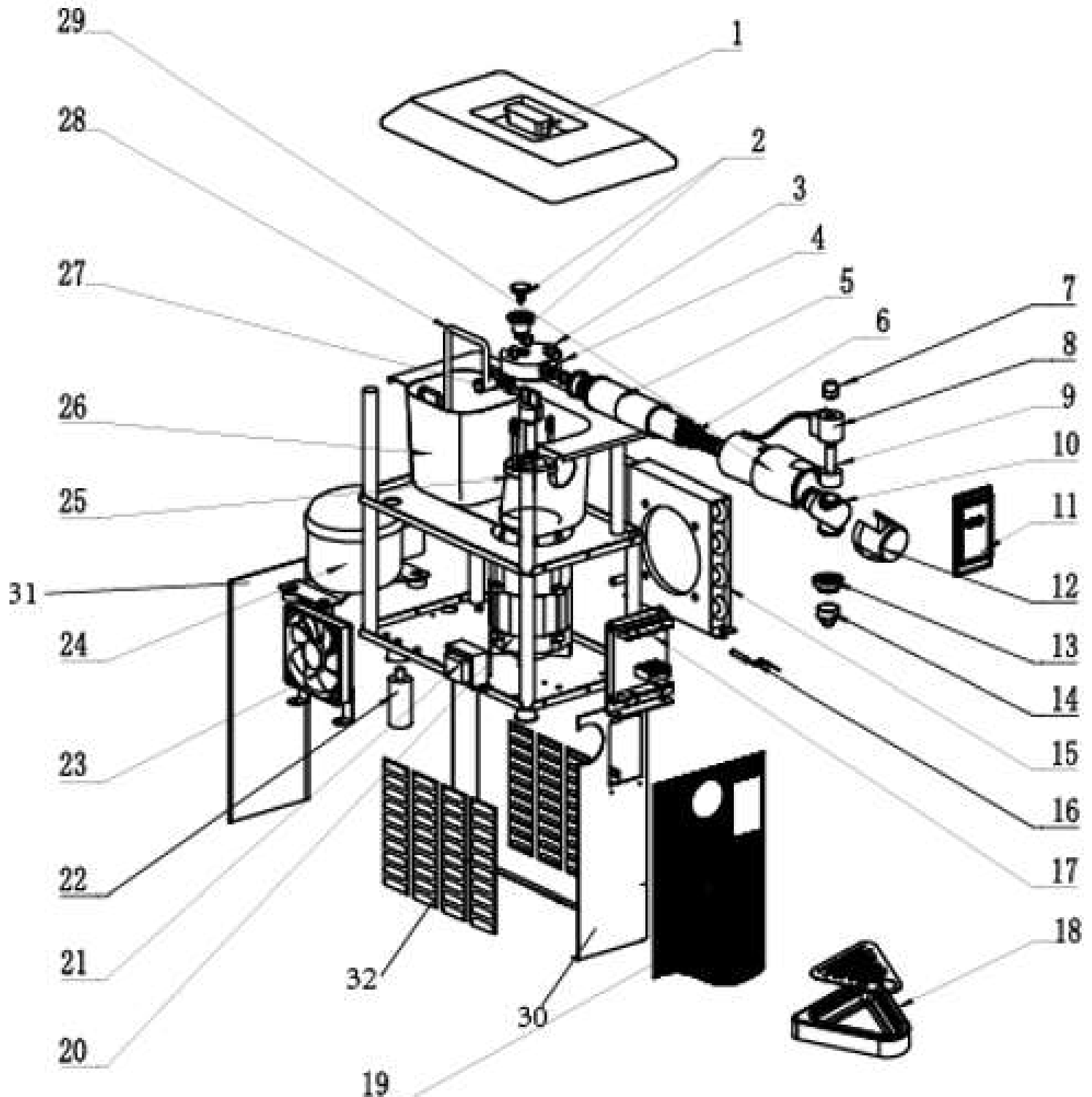
000000 and up

290965

Description

**Commercial Cream Whipping
 Machine**

Date	16.01.2024	Revision #	1
Revision	First bill of material (BOM)		



Used models	Factory Description	Hendi HK no.
	Hopper cover for main item 290965 (dwg no.1)	290965-001
	Air regulation valve sets for main item 290965 (dwg no.2)	290965-002
	M6 Cap nut for main item 290965 (dwg no.3)	290965-003
	Cream pump cover for main item 290965 (dwg no.4)	290965-004
	Enclosing tube for main item 290965 (dwg no.5)	290965-005
	Mixing chamber for main item 290965 (dwg no.6)	290965-006
	M12 Cap nut for main item 290965 (dwg no.7)	290965-007
	Coil for main item 290965 (dwg no.8)	290965-008
	Solenoid valve for main item 290965 (dwg no.9)	290965-009
	Tap front for main item 290965 (dwg no.10)	290965-010
	Screen for main item 290965 (dwg no.11)	290965-011
	Tap front plastic cover for main item 290965 (dwg no.12)	290965-012
	Garnishing spout holder for main item 290965 (dwg no.13)	290965-013
	Nozzle for main item 290965 (dwg no.14)	290965-014
	Condenser for main item 290965 (dwg no.15)	290965-015
	Temperature Sensor for main item 290965 (dwg no.16)	290965-016
	Mainboard for main item 290965 (dwg no.17)	290965-017
	Water box set for main item 290965 (dwg no.18)	290965-018
	Sticker for main item 290965 (dwg no.19)	290965-019
	Motor for main item 290965 (dwg no.20)	290965-020
	Transformer for main item 290965 (dwg no.21)	290965-021
	Capacitor for main item 290965 (dwg no.22)	290965-022
	Fan for main item 290965 (dwg no.23)	290965-023
	Compressor for main item 290965 (dwg no.24)	290965-024
	Cream pump body for main item 290965 (dwg no.25)	290965-025
	Hopper for main item 290965 (dwg no.26)	290965-026
	Slider plate for pump for main item 290965 (dwg no.27)	290965-027
	Suction pipe for main item 290965 (dwg no.28)	290965-028
	Plastic heat preservation cover for main item 290965 (dwg no.29)	290965-029
	Front panel for main item 290965 (dwg no.30)	290965-030
	Back panel for main item 290965 (dwg no.31)	290965-031
	Side panel for main item 290965 (dwg no.32)	290965-032
	set of 4 - Feet for main item 290965	290965-A
	Set of maintenance and cleaning kits for main item 290965	290965-B