
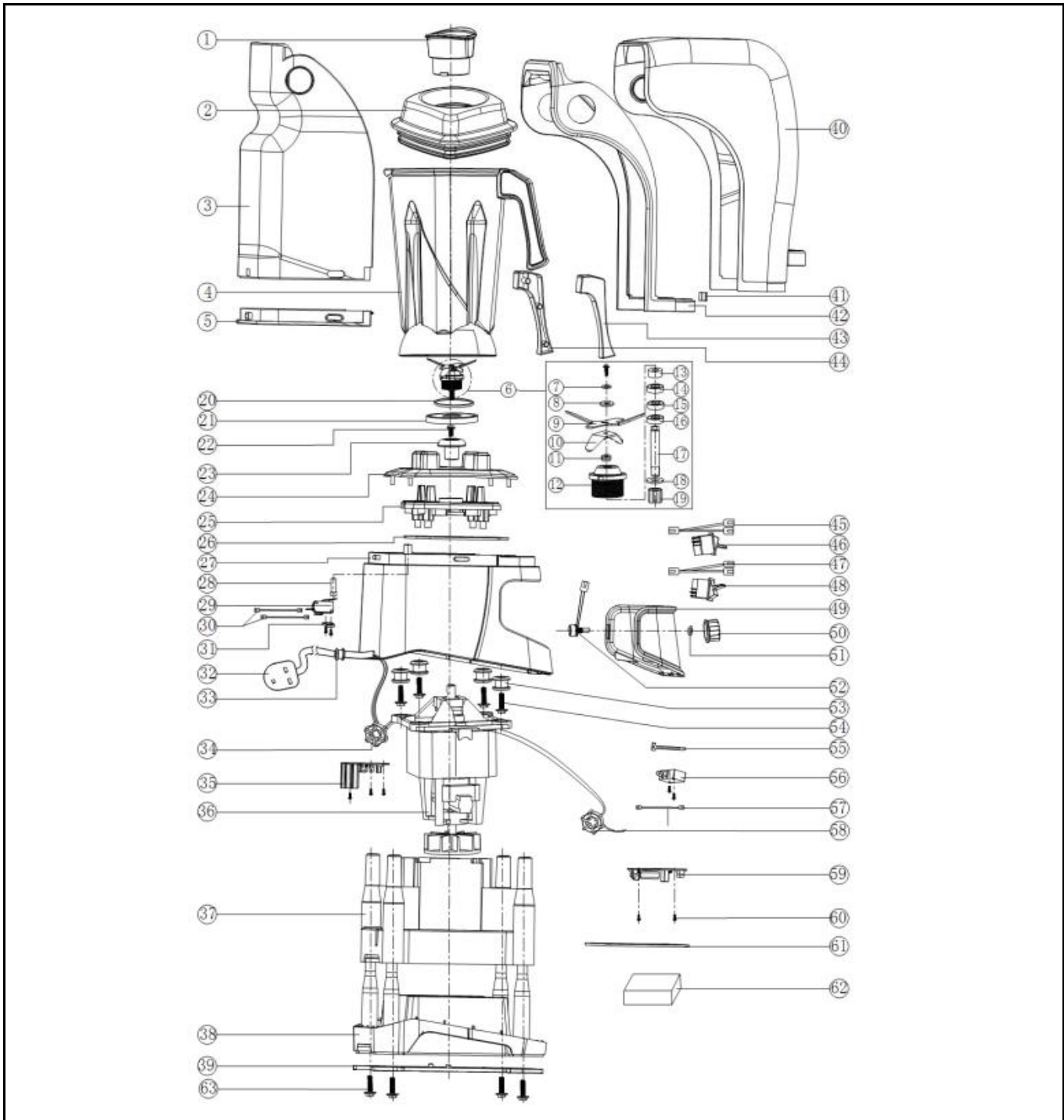



Drawing

 HENDI FOOD SERVICE EQUIPMENT Hendi B.V. Steenoven 21 3911 TX Rhenen The Netherlands	Batch #	Appliance part#
	171244 and up	230688
	Description	
	Blender with noise cover	

Date	24-08-2018	Revision #	1.0
Revision	First Bill of Materials (BOM)		



Bill of materials (BOM)

 HENDI FOOD SERVICE EQUIPMENT Hendi B.V. Steenoven 21 3911 TX Rhenen The Netherlands	Batch #	Appliance part#
	171244 and up	230688
	Description	
Blender with noise cover		

Date	24-08-2018	Revision #	1.0
Revision	First Bill of Materials (BOM)		


Item	Description	Part#	Quantity	Remark	Picture
1	Transparant cap	nss	1	Available as 933787	
2	Lid complete	933787	1	Incl. item 1	
3	Back cover	nss	1	Available as 946091	
4a	Blender Jar complete (Polycarbonate jug)	943489	1	Incl item 1,2,6,20,and 21	
4b	Blender Jar complete (BPA-free Tritan copolyester)	933688	1	Incl item 1,2,6,20,and 21	
5	Gasket for back piece of noise cover	946107	1	Also in assembly 946091	
6	Cutting unit Ti coating	946169	1	Incl item 6;7;8;9;10;11;12;13;14;15;16;17;18;19	
7	Stainless steel washer	nss	1	Available as 946196	
8	Stainless steel washer	nss	1	Available as 946196	
9	Stainless steel blade leaf (cross type)	nss	1	Available as 946196	
10	Stainless steel blade leaf (single type)	nss	1	Available as 946196	
11	Gasket	nss	1	Available as 946196	
12	Stainless steel bearing case	nss	1	Available as 946196	
13	Oil seal	nss	1	Available as 946196	
14	Oil seal	nss	1	Available as 946196	
15	Bearing	nss	1	Available as 946196	
16	Bearing	nss	1	Available as 946196	
17	Stainless steel shaft	nss	1	Available as 946196	
18	Aluminum wash	nss	1	Available as 946196	
19	Stainless steel gear nut	nss	1	Available as 946196	
20	Sealing nut cutting unit	933817	1	Also in 943489 and 933688 assembly	
21	Retainer plate	933824	1	Also in 943489 and 933688 assembly	
22	Screw M4x6	nss	1	Available as 933831	
23	Clutch	933831	1	Incl item 22	
24	Jug holder	946114	1		
25	Cover Motor	n/a	1		
26	Sealing	n/a	1		
27	Housing	n/a	1		
28	Ejector pin microswitch	n/a	1		
29	Microswitch	207093	1		
30	Wiring microswitch	n/a	2		
31	Mounting pin	n/a	1		
32	Power cord	933923	1		
33	Grommet	946152	1		
34	Metal ring	n/a	1		
35	PCB	933855	1		
36	Motor	933916	1	Incl item 53	
37	Internal housing	n/a	1		
38	Bottom cover	n/a	1		
39	Antislip feet	n/a	1		
40	Noise cover complete assembly	946091	1	Incl item 3;5;40;41 and 42	
41	Magnet	nss	1	Available as 946091	
42	Rubber sealing	nss	1	Available as 946091	
43	Insert handle bar (left side)	n/a	1		
44	Insert handle bar (right side)	n/a	1		
45	Wiring On/Off switch	n/a	1		
46	On/Off switch	917060	1		
47	Wiring Pulse switch	n/a	1		
48	Pulse switch	917091	1		
49	Display	n/a	1		
50	Knob potentiometer	933893	1		
51	Nut	nss	1		
52	Potentiometer	933909	1		
53	Dampers	nss	4	Available as 933916	

54	Screw M4x25	n/a	4		
55	Cable tie	n/a	2		
56	Reed switch	946121	1		
57	Wiring reed switch	n/a	2		
58	Metal ring	n/a	1		
59	Filter pcb	946176	1		
60	Screw 3x7	n/a	7		
61	Noise-absorbing EPE(expandable polyethylene) 1	n/a	3		
62	Noise-absorbing EPE(expandable polyethylene) 2	n/a	2		
63	Screw 3.5x20	n/a	4		

n/a -> not available

nss -> not sold separately

Wiring diagram

 <b style="font-size: 2em; color: red; margin-left: 10px;">HENDI <small style="color: red; margin-left: 10px;">FOOD SERVICE EQUIPMENT</small> Hendi B.V. Steenoven 21 3911 TX Rhenen The Netherlands	Batch #	Appliance part#
	171244 and up	230688
	Description	
	Blender with noise cover	

Date	24-08-2018	Revision #	1.0
Revision	First Bill of Materials (BOM)		

