

Drawing

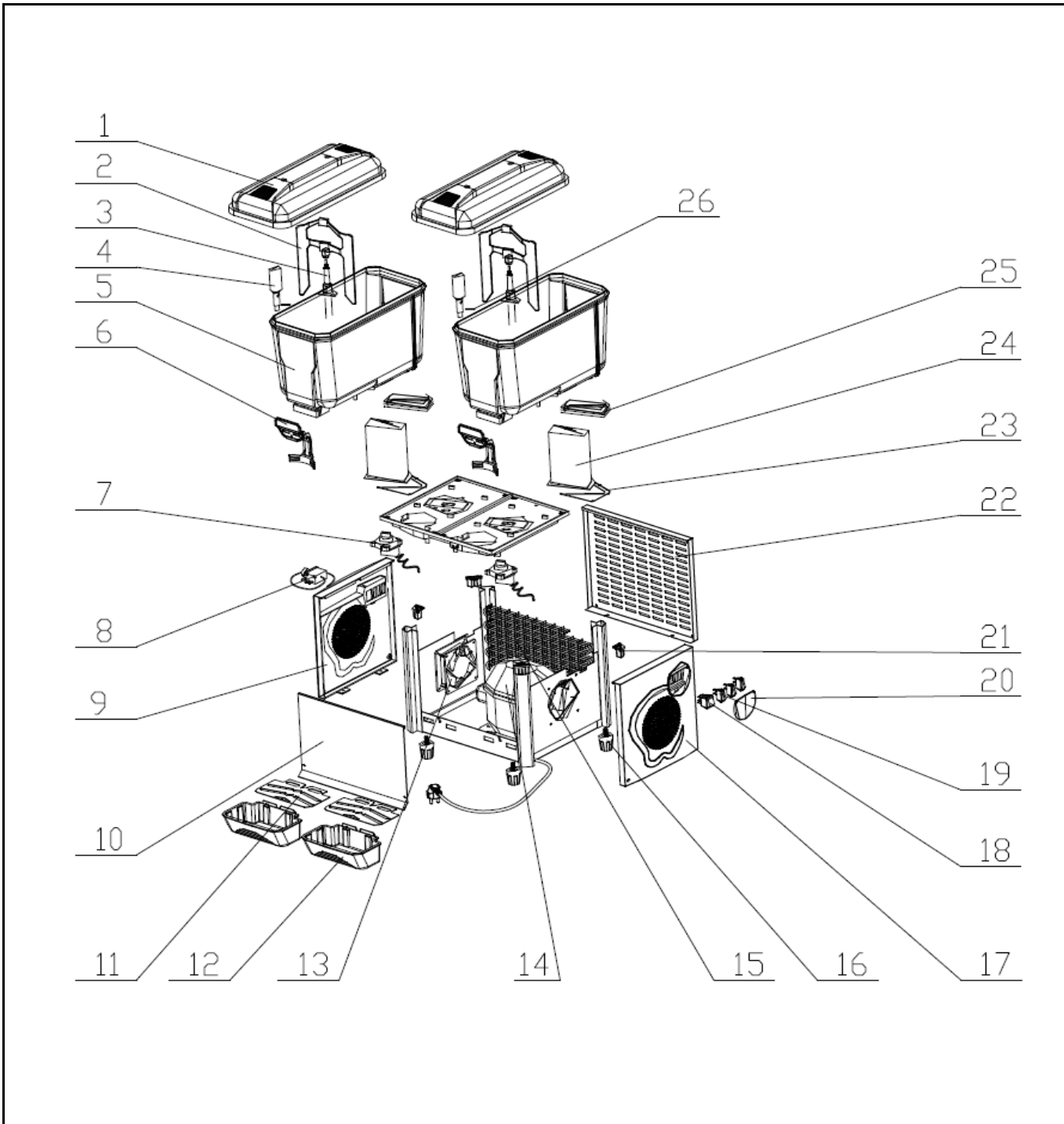


Tools for Chefs


Hendi B.V.
 Steenoven 21
 3911 TX Rhenen
 The Netherlands

Batch #	Appliance part#
HK025918 and up	425206
Description	
Juice dispenser 2x12L	

Date	06-01-2020	Revision #	Revision version
Revision	First bill of materials (BOM)		



Bill of materials (BOM)

 <b style="font-size: 24px; margin-left: 10px;">HENDI <small style="color: green; margin-left: 10px;">Tools for Chefs</small> Hendi B.V. Steenoven 21 3911 TX Rhenen The Netherlands	Batch #	Appliance part#
	HK025918 and up	425206
	Description	
Juice dispenser 2x12L		


Date	06-01-2020	Revision #	Revision version
Revision	First bill of materials (BOM)		

Item	Description	Part#	Quantity	Remark	Picture
1	Cover	947876			
2	Mixing Paddle	947883			
3	Mixing pod	947890			
4	Stainless steel valve	947906			
5	High-density PC Bowl (Paddle system)	947913			
6	Tap lever	947920			
7	Mixing motor	947937			
8	Thermostat	951538			
9	ABS Side panel(Controller side)	n/a			
10	Front panel	n/a			
11	Lid of water tray	nss			
12	Water tray	nss			
11+12	Drip tray complete set	947982			
13	Fan	951545			
14	Compressor (NUY55RA)	947944			
15	Condenser	n/a			
16	Adjustable leg	946596			
17	ABS Side panel(Switch side)	n/a			
18	Power switch SC767	947951			
19	Switch for mixing motor SC791	947968			
20	Cover for switch	n/a			
21	Corner Plug	n/a			
22	Back panel	n/a			
23	Washer of Evaporator	n/a			
24	Tank Evaporator	n/a			
25	Gasket for bowl	951521			
26	Tap gasket	947975			

n/a -> not available

nss -> not sold separately

Circuit diagram

 <b style="font-size: 24px; margin-left: 10px;">HENDI Tools for Chefs Hendi B.V. Steenoven 21 3911 TX Rhenen The Netherlands	Batch #	Appliance part#
	HK025918 and up	425206
	Description	
	Juice dispenser 2x12L	

Date	06-01-2020	Revision #	Revision version
Revision	First bill of materials (BOM)		

