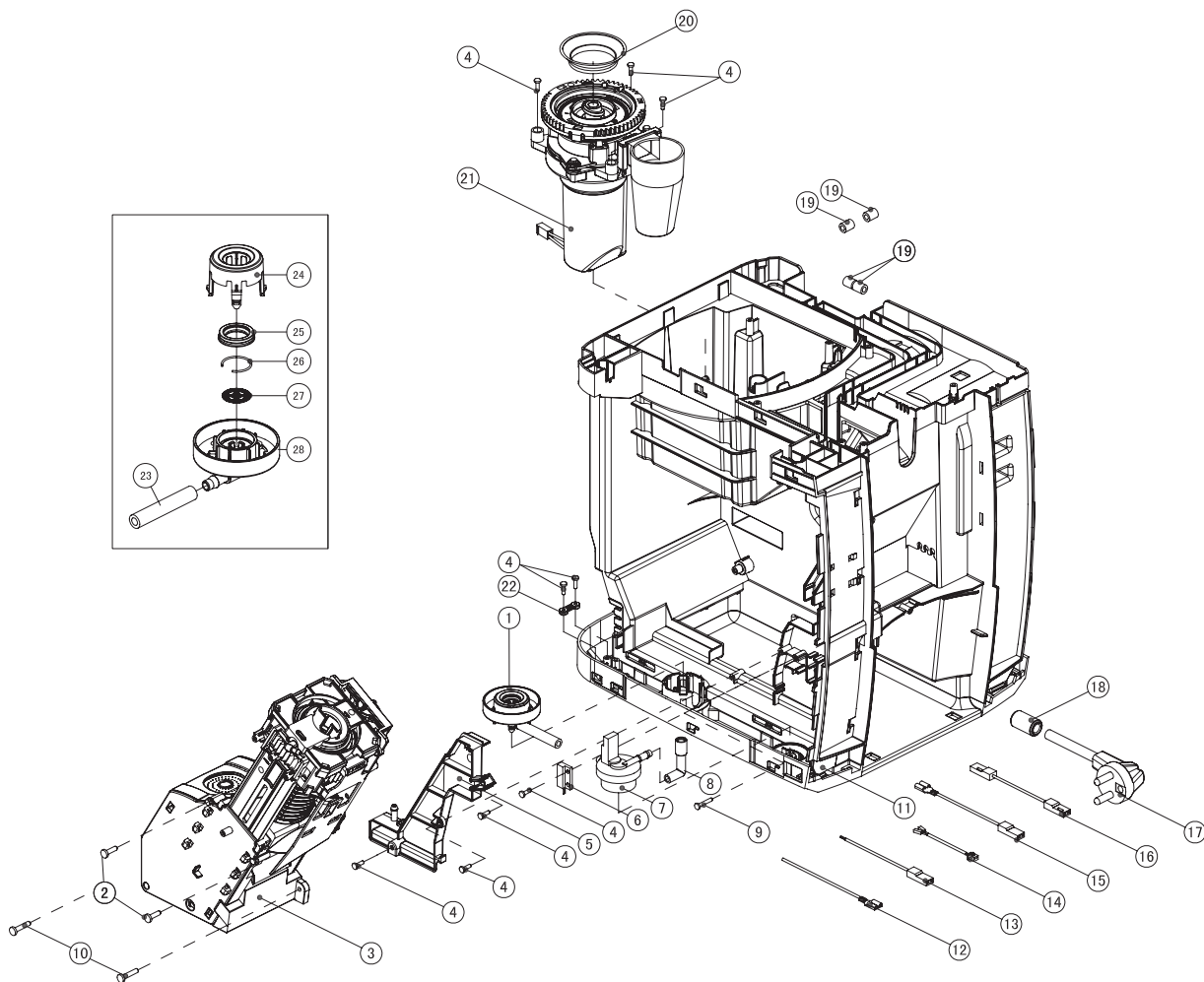


Explosive view

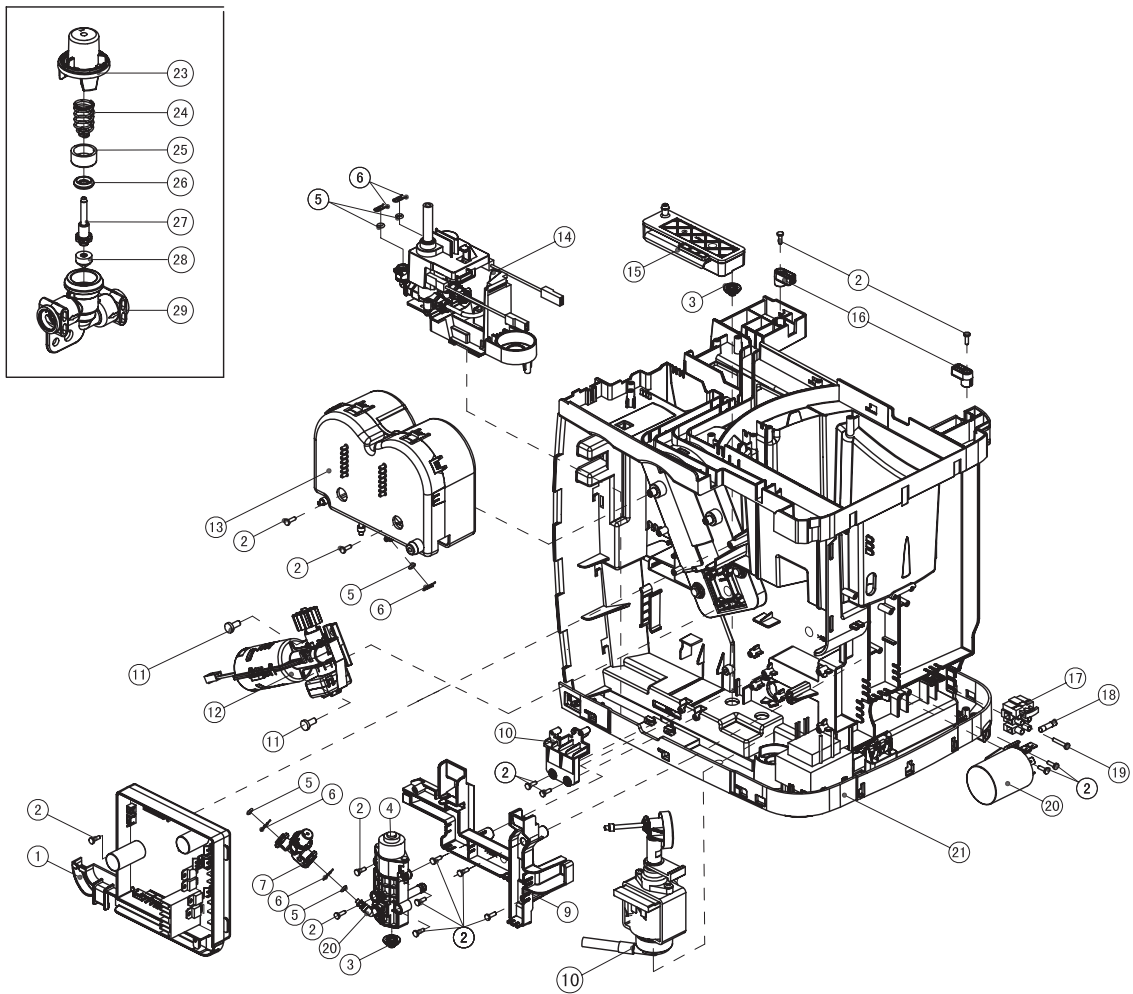
9810102003-1



POS	CODE	DESCRIPTION	NOTE
1	8810101005	Water inlet valve	
2	72000012	Screw M4,0×14	
3	8810101016	Brew unit group	
4	72000004	Screw ST3,0×10	
5	79000156	Frame support	
6	73000095	Reed sensor	
7	73000089	Flowmeter	
8	73000084	Cup support	
9	72000008	Screw ST3,0×18	
10	72000034	Screw M4,0×10	
11	8810101021	Frame	
12	78000035	Line pencil	
13	78000034	Line pencil	
14	78000021	Line pencil	
15	78000054	Line pencil	
16	78000053	Line pencil	
17	78000037	Line pencil	
18	78000028	EMIFIL	
19	73000222	Clamp	
20	73000096	Bean Coffee Container Seal	SILICONE

POS	CODE	DESCRIPTION	NOTE
21	8810101002	Grinder group	DC220V
22	79000155	Power cord retaining clip	
23	73000111	Waterpipe Ø5,0×Ø9,0 120mm	SILICONE
24	79000033	Valve cap	
25	73000033	Y-ring Ø14,9×Ø22,1	SILICONE
26	73000032	Safetyring	
27	79000166	Sieve	
28	79000032	Valve support	

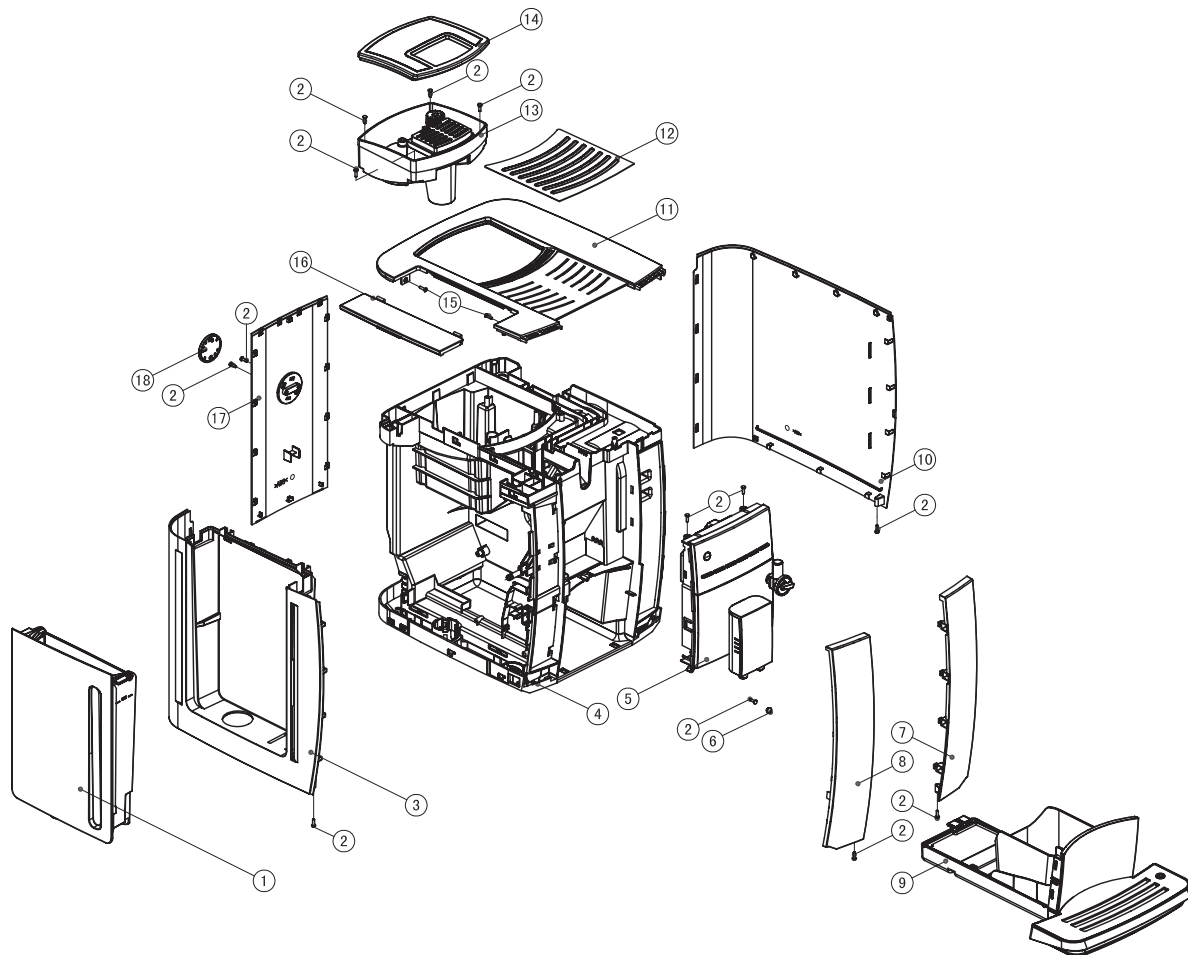
9810102003-2



POS	CODE	DESCRIPTION	NOTE
1	8810102014	Power Pcb Group	
2	72000004	Screw ST3.0×10	
3	73000092	Drainage seal ring	
4	8810101006	Drainage Valve	DC24V
5	73000029	O-RING $\phi 3.3 \times \phi 7.3$	SILICONE
6	73000066	Small clamp	
7	8810101004	Dispenser valve 2W	
8	8810101011	Pump Group	DC24V
9	79000154	Line pencil frame	SILICONE
10	79000235	frame buffer tank	
11	72000030	Screw M5.0×12	
12	8810101015	Gearred motor group	DC24V
13	8810102015	Thermoblodk Group	220V/1200W
14	8810102017	valve group	230VAC
15	8810101049	Condensator	
16	79000157	Screw support	

POS	CODE	DESCRIPTION	NOTE
17	73000090	Line pencil connector	
18	73000131	Fuse	10A
19	72000008	Screw ST3.0×18	
20	78000029	EMI filter	
21	8810102021	Frame	
22	79000223	Connector L	
23	79000027	Dispenser valve cover	
24	73000030	Spring $\phi 7.7 \times 21.0$	
25	79000029	Spring support	
26	73000128	O-ring $\phi 4.0 \times \phi 7.6$	SILICONE
27	79000028	Valve pin	
28	73000028	Seal cap	SILICONE
29	79000031	Valve body 2W	

9810102003-3



POS	CODE	DESCRIPTION	NOTE
1	8810101020	Water tank group	
2	72000004	Screw ST3.0×10	
3	79000148	Left side section	
4	8810101021	Frame	
5	8810102022	Control Panel Group	
6	79000040	Screw cover	
7	79000147	Front cover right	
8	79000146	Front cover left	
9	8810101017	Pan Group	
10	79000149	Right side section	

POS	CODE	DESCRIPTION	NOTE
11	79000152	Top cover	
12	79000222	Cup support	
13	8810101019	Bean container transparent	
14	881010025	Bean Container Lid	
15	72000003	Screw ST3.0×12	SUS
16	79000153	Water tank cover	
17	79000145	Back cover	
18	881010027	Logo support	