

Drawing

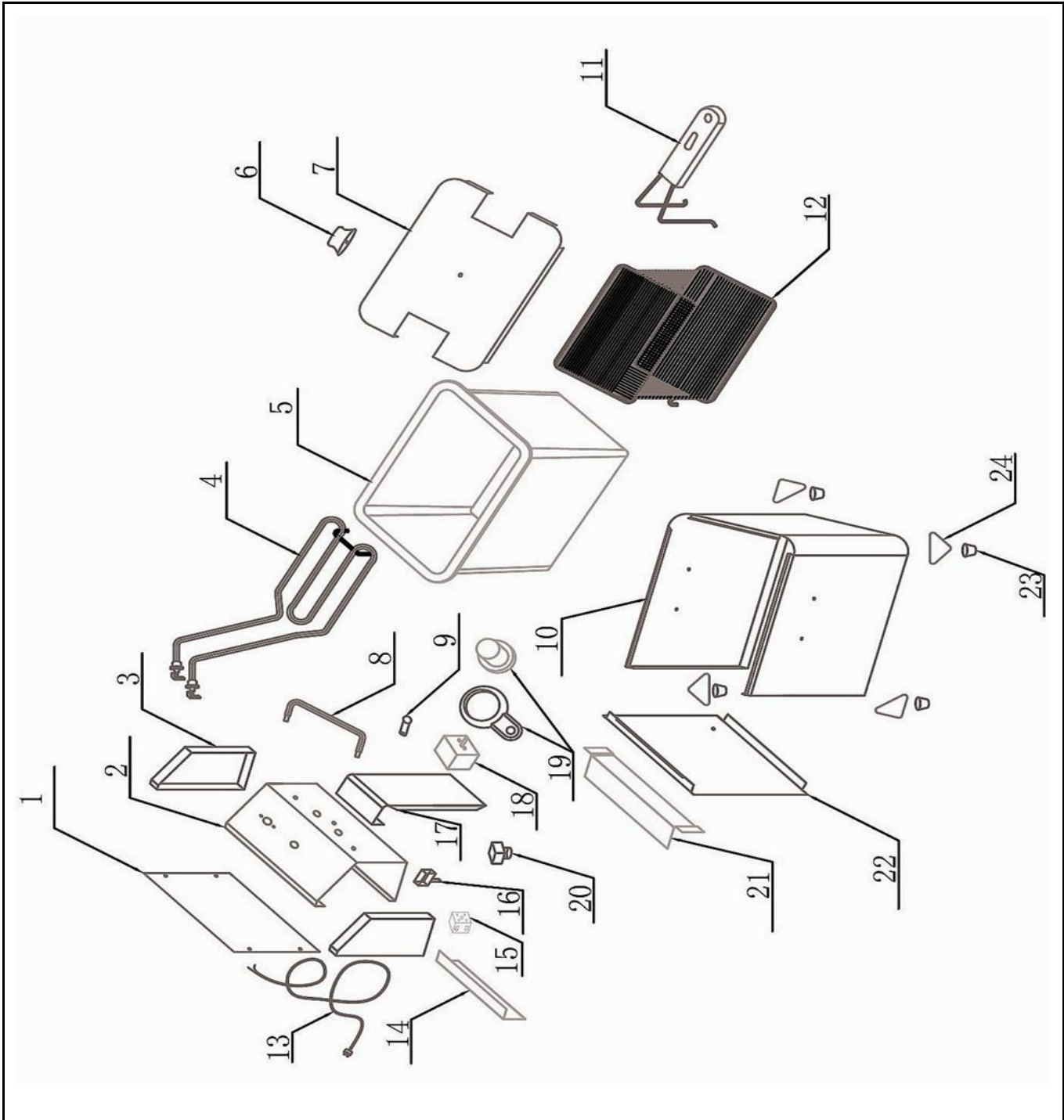


Hendi B.V.
Steenoven 21
3911 TX Rhenen
The Netherlands


Batch #	Appliance part#
300669-000001 and up	205808

Description
Deep fryer 4L bleu line

Date	24-05-2016	Revision #	Revision version
Revision	First bill of materials (BOM)		



Bill of materials (BOM)

 <p>HENDI FOOD SERVICE EQUIPMENT</p> <p>Hendi B.V. Steenoven 21 3911 TX Rhenen The Netherlands</p>	Batch #	Appliance part#
	300669-000001 and up	205808
	Description	
Deep fryer 4L bleu line		


Date	24-05-2016	Revision #	Revision version
Revision	First bill of materials (BOM)		

Item	Description	Part#	Quantity	Remark	Picture
1	Back cover	n/a	1		
2	Front cover	n/a	1		
3	Side cover	n/a	2		
4	Element	930601	1		
5	Fryer bassin	n/a	1		
6	Knob for lid	940402	1		
7	Lid	n/a	1		
8	Bracket	n/a	1		
9	Indicator light	930533	1		
10	Frame	n/a	1		
11	Handle fryer basket	nss	1	Available as 930618	
12	Fryer basket	930618	1	Incl item 11	
13	Power cord	205303	1		
14	Bracket	n/a	1		
15	Terminal	930540	1		
16	Microswitch	930571	1		
17	Bracket	n/a	1		
18	Thermostat	930557	1		
19	Knob	930564	1		
20	Hi-Limiter	930595	1		
21	Support	n/a	1		
22	Back cover frame	n/a	1		
23	Feet	930588	1		
24	Support plate	n/a	4		
*	Probe holder	930663	2	(not shown on exploded view)	

n/a -> not available

nss -> not sold separately

Circuit diagram

 <p>HENDI FOOD SERVICE EQUIPMENT</p> <p>Hendi B.V. Steenoven 21 3911 TX Rhenen The Netherlands</p>	Batch #	Appliance part#
	300669-000001 and up	205808
	Description	
	Deep fryer 4L bleu line	

Date	24-05-2016	Revision #	Revision version
Revision	First bill of materials (BOM)		

