

Drawing



Tools for Chefs

Hendi B.V.

Steenoven 21
3911 TX Rhenen
The Netherlands

Batch #

HK080020 and
up

Appliance part#

209202

Description

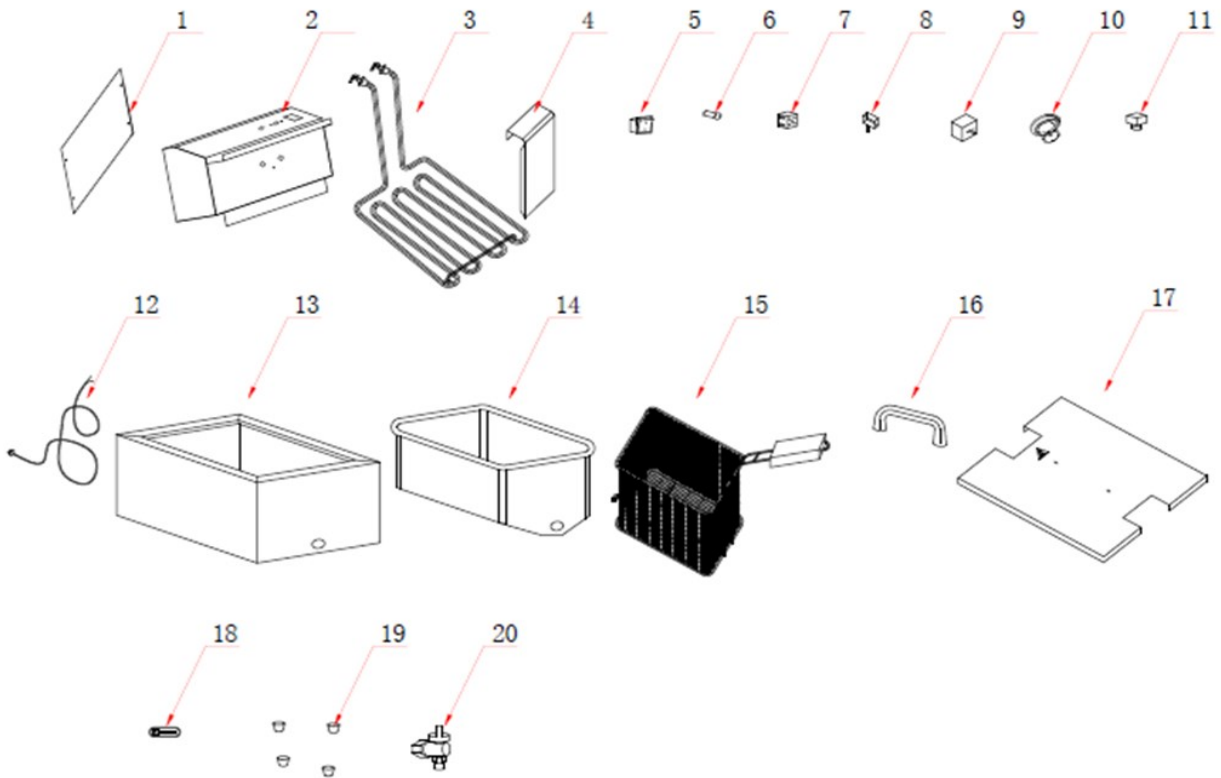
Deep fryer Mastercook 8L with faucet

Date 28-07-2021


Revision #

1.2

Revision Updated control panel and circuit diagram.



Bill of materials (BOM)

 <b style="font-size: 24px; margin-left: 10px;">HENDI <small style="color: green; margin-left: 10px;">Tools for Chefs</small> Hendi B.V. Steenoven 21 3911 TX Rhenen The Netherlands	Batch #	Appliance part#
	HK080020 and up	209202
	Description	
Deep fryer Mastercook 8L with faucet		


Date	28-07-2021	Revision #	1.2
Revision	Updated control panel and circuit diagram.		

Item	Description	Part#	Quantity	Remark	Picture
1	Back cover	nss	1	Available as 932308	
2	Fryer head	932308	1	Complete assembly	
3	Heating element	941379	1	Also in 932308	
4	Heating element cover	nss	1	Available as 932308	
5	Switch	205426	1	Also in 932308	
6	Indicator light (orange)	930533	1	Also in 932308	
7	Terminal	930540	1	Also in 932308	
8	Microswitch	930571	1	Also in 932308	
9	Thermostat	930557	1	Also in 932308	
10	Knob thermostat	934852	1	Also in 932308	
11	Hi-limiter	930595	1	Also in 932308	
12	Power cord	912027	1	Also in 932308	
13	Frame	n/a	1		
14	Fryer basin	n/a	1		
15	Fryer basket	933664	1		
16	Handle	nss	1	Available as 934869	
17	Lid	934869	1	Incl.item 16	
18	Logo badge Hendi	955963	1		
19	Feet	934876	4		
20	Faucet	251515	1		
*	Cord inlet with retention	912201	1	Also in 932308	

n/a -> not available

nss -> not sold separately

Circuit diagram

 HENDI Tools for Chefs Hendi B.V. Steenoven 21 3911 TX Rhenen The Netherlands	Batch # HK080020 and up	Appliance part# 209202
	Description	
	Deep fryer Mastercook 8L with faucet	

Date	28-07-2021	Revision #	1.2
Revision	Updated control panel and circuit diagram.		

