
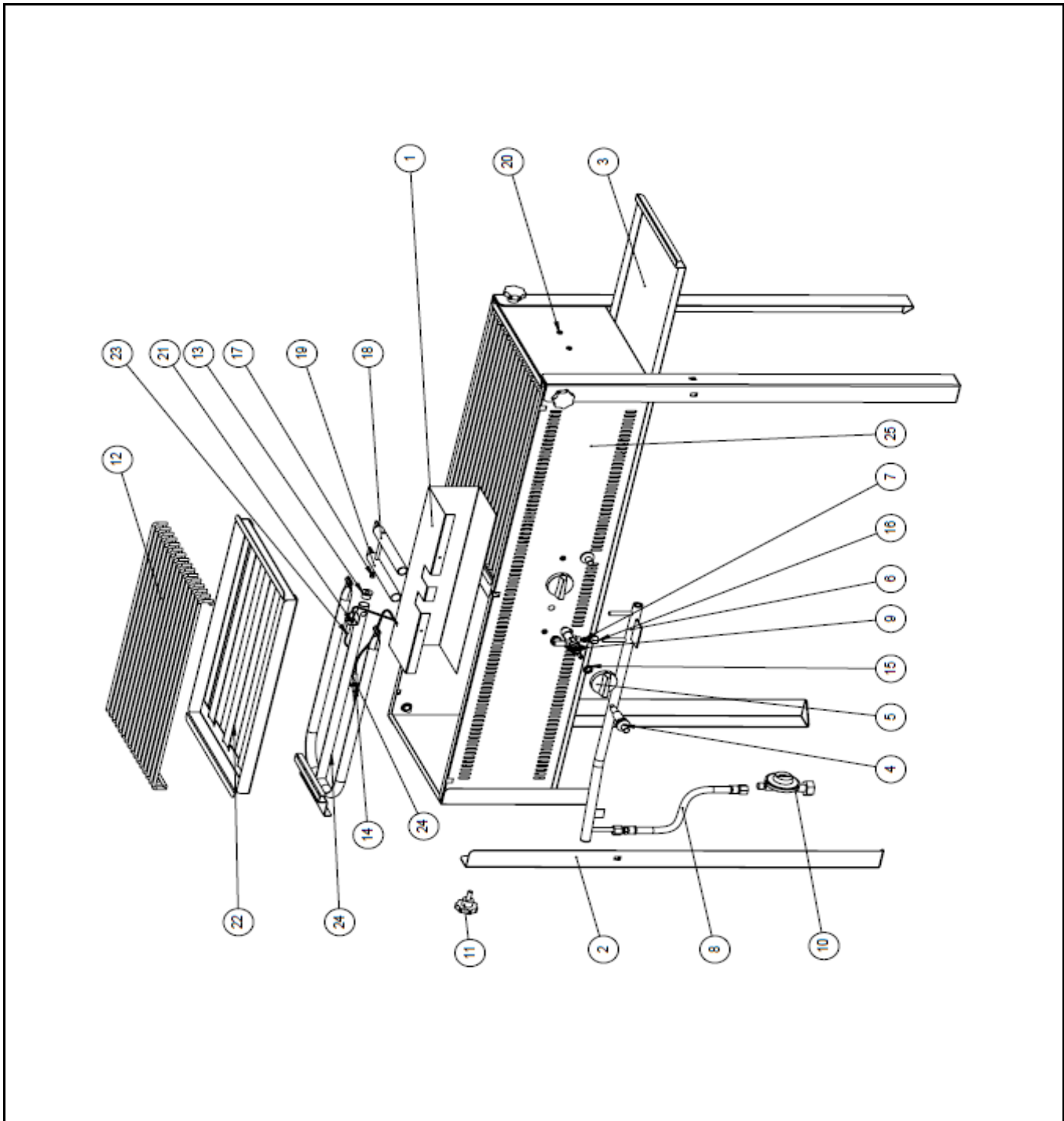



Drawing

 HENDI FOOD SERVICE EQUIPMENT Hendi B.V. Steenoven 21 3911 TX Rhenen The Netherlands	Batch #	Appliance part#
	0000000	145951
	Description	
	Grill system model 2000	

Date	08-07-2013	Revision #	Revision version
Revision	First bill of materials (BOM)		



Bill of materials (BOM)

 HENDI FOOD SERVICE EQUIPMENT Hendi B.V. Steenoven 21 3911 TX Rhenen The Netherlands	Batch #	Appliance part#
	0000000	145951
	Description	
	Grill system model 2000	

Date	08-07-2013	Revision #	Revision version
Revision	First bill of materials (BOM)		

Item	Description	Part#	Quantity	Remark	Picture
1	Heat shield	n/a	1		
2	Leg	145111	4		
3	Drip tray	145876	2		
4	Piezo igniter	153178	2		
5	Knob	145692	2		
6	Inlet pipe	n/a	1		
7	Cutting ring 8mm	nss	2	Available as 152089	
8	Hose assembly	145753	1		
9	Gas valve	145661	2	Incl item 15	
10a	Regulator 50mBar	152157	1		
10b	Regulator 37mbar	152188			
11	Bolt m8x20	145128	4		
12	Grill	145869	2		
13	Centrerling	n/a	2		
14	Nut M8x1	152126	4		
15	Nut M12x1	nss	2	Available as 145661	
16	Nut	152089	2	Incl item 7	
17	Injector	n/a	2		
18	Burner pipe with spacer	n/a	1		
19	Burner pipe	n/a	1		
20	Sheet metal screw 4,8x13mm	n/a	6		
21	Sheet metal screw 4,2x95mm	n/a	2		
22	Flame diffuser	145838	2		
23	Electrode with wiring 310mm	924082	2		
24	Gas burner	145647	2		
25	Frame	n/a	1		
26	Thermo couple 320mm	152133	2		

n/a -> not available

nss -> not sold separately