

Drawing



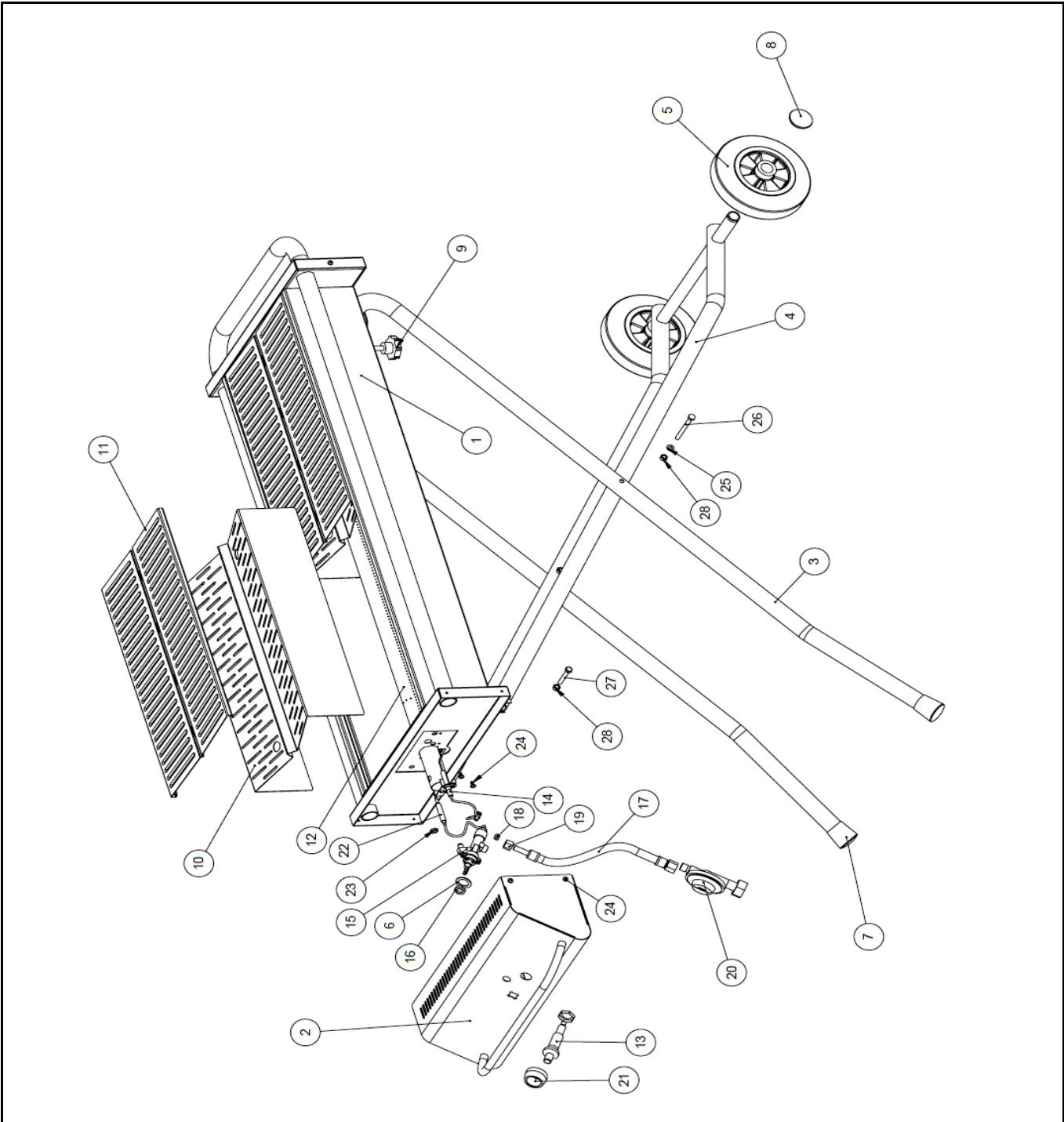
Hendi B.V.  
Steenoven 21  
3911 TX Rhenen  
The Netherlands

Batch #  
402617 and up


Appliance part#  
148105

Description  
Gas barbecue "Xenon-Pro"

|          |                  |            |                      |
|----------|------------------|------------|----------------------|
| Date     | 08-06-2015       | Revision # | Revision version 1.1 |
| Revision | New control knob |            |                      |



## Bill of materials (BOM)

|   |                                 |                        |
|---|---------------------------------|------------------------|
| <br><b>Hendi B.V.</b><br>Steenoven 21<br>3911 TX Rhenen<br>The Netherlands | <b>Batch #</b>                  | <b>Appliance part#</b> |
|   | 402617 and up                   | <b>148105</b>          |
|   | <b>Description</b>              |                        |
|   | <b>Gas barbecue "Xenon-Pro"</b> |                        |

|                 |                  |                   |                      |
|-----------------|------------------|-------------------|----------------------|
| <b>Date</b>     | 08-06-2015       | <b>Revision #</b> | Revision version 1.1 |
| <b>Revision</b> | New control knob |                   |                      |

| Item | Description            | Part#  | Quantity | Remark                        | Picture |
|------|------------------------|--------|----------|-------------------------------|---------|
| 1    | Frame                  | n/a    | 1        |                               |         |
| 2    | Display cover          | n/a    | 1        |                               |         |
| 3    | Tube frame             | n/a    | 1        |                               |         |
| 4    | Tube frame             | n/a    | 1        |                               |         |
| 5    | Wheel 100x30           | 148747 | 2        |                               |         |
| 6    | Washer                 | n/a    | 1        |                               |         |
| 7    | Plastic cap 28mm       | 148730 | 2        |                               |         |
| 8    | Cover/holder           | 150955 | 2        |                               |         |
| 9    | Bolt M8x20             | 145128 | 1        |                               |         |
| 10   | Flame diffuser         | 148167 | 2        |                               |         |
| 11   | Griddle                | 148716 | 2        |                               |         |
| 12   | Gas burner (xenon-pro) | 148150 | 1        |                               |         |
| 13   | Piezo igniter          | 153178 | 1        |                               |         |
| 14   | Electrode with wiring  | 145654 | 1        |                               |         |
| 15   | Gas valve              | 152164 | 1        | Incl item 16                  |         |
| 16   | Nut M12x1              | nss    | 1        | Available as 152164           |         |
| 17   | Hose assembly          | 152171 | 1        |                               |         |
| 18   | Cutting ring 4mm       | nss    | 1        | Available as 152089           |         |
| 19   | Nut M12x1              | 152089 | 1        | Incl item 18                  |         |
| 20a  | Regulator 50mBar       | 152157 | 1        |                               |         |
| 20b  | Regulator 37mBar       | 152188 | 1        |                               |         |
| 20c  | Regulator 37mBar UK    | 153161 | 1        | *Note Only for United Kingdom |         |
| 21   | Knob                   | 934654 | 1        |                               |         |
| 22   | Thermo couple          | 152195 | 1        | Incl 2 pcs of item 23         |         |
| 23   | Zeskantmoer M8x1       | nss    | 2        | Available as 152195           |         |
| 24   | Sheet metal screw      | n/a    | 8        |                               |         |
| 25   | Washer M6              | n/a    | 2        |                               |         |
| 26   | Bolt M6 x 65           | n/a    | 2        |                               |         |
| 27   | Bolt M6 x 40           | n/a    | 2        |                               |         |
| 28   | Locknut M6             | n/a    | 4        |                               |         |
|      |                        |        |          |                               |         |
|      |                        |        |          |                               |         |

n/a -> not available

nss -> not sold separately