

Drawing



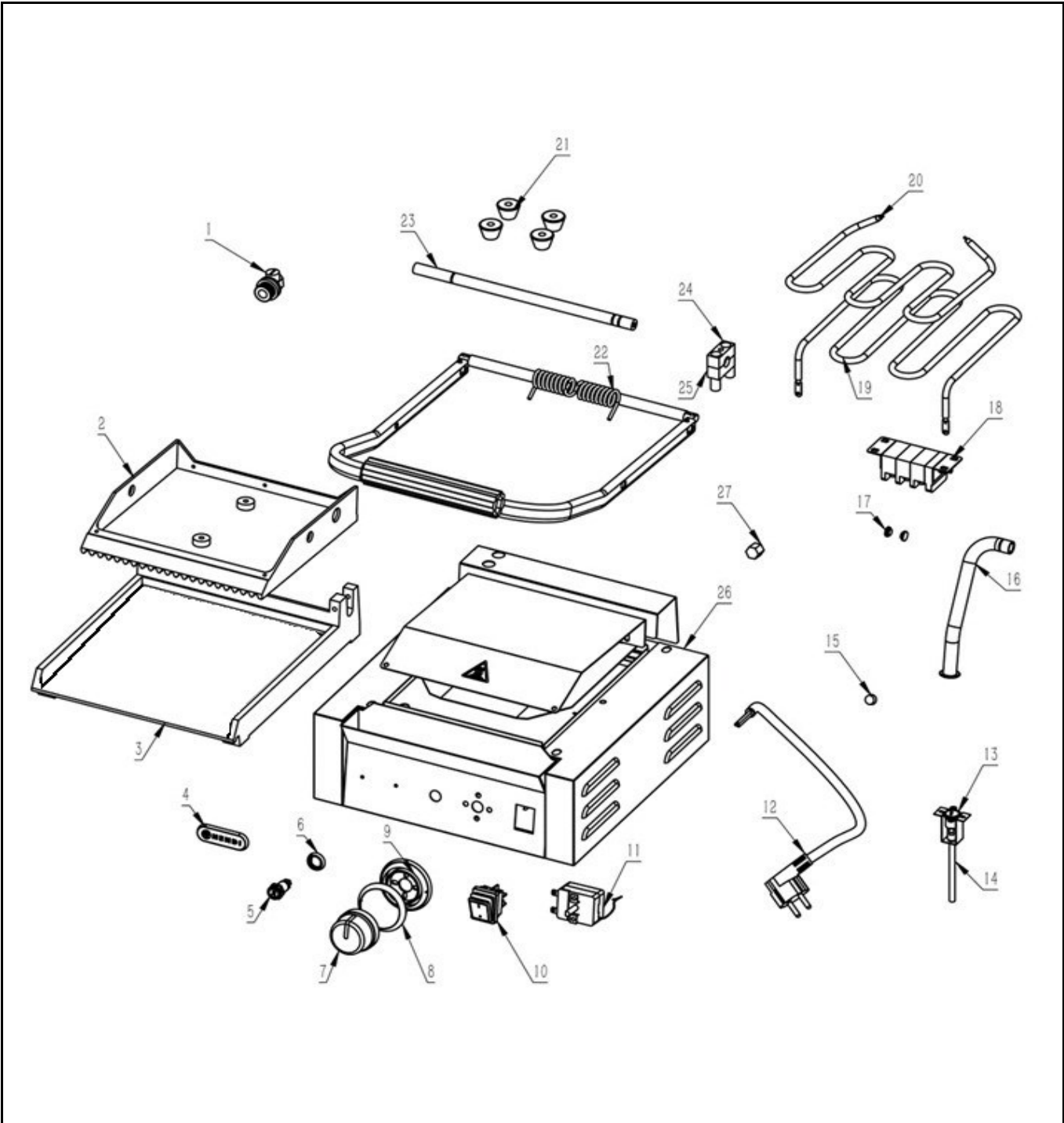
Tools for Chefs

Hendi B.V.  
 Steenoven 21  
 3911 TX Rhenen  
 The Netherlands


<b>Batch #</b>	<b>Appliance part#</b>
HK073319 and up	263600

<b>Description</b>
Contact grill ribbed top/smooth bottom

<b>Date</b>	03-05-2021	<b>Revision #</b>	1.2
<b>Revision</b>	Updated knob and circuit diagram.		



**Bill of materials (BOM)**

 <b>HENDI</b> Tools for Chefs Hendi B.V. Steenoven 21 3911 TX Rhenen The Netherlands	<b>Batch #</b>	<b>Appliance part#</b>
	HK073319 and up	<b>263600</b>
	<b>Description</b>	
	Contact grill ribbed top/smooth bottom	


<b>Date</b>	03-05-2021	<b>Revision #</b>	1.2
<b>Revision</b>	Updated knob and circuit diagram.		

Item	Description	Part#	Quantity	Remark	Picture
1	Cord inlet with retention	912201	1		
2	Upper grill plate	n/a	1		
3	Lower grill plate	n/a	1		
4	Logo badge Hendi	955963	1		
5	Indicator light (orange)	930533	1	Incl. item 6	
6	O-ring	nss	1		
7	Knob thermostat	942222	1	Incl. item 8 and 9	
8	Knob scale ring	nss	1	Available as 942222	
9	Knob groundplate	nss	1	Available as 942222	
10	Switch	205426	1		
11	Thermostat	902011	1		
12	Power cord	912027	1		
13	Hi-limiter	902004	1		
14	Reset pin	902042	1		
15	Handle plug	nss	2		
16	Wire guide tube	n/a	1		
17	Silicone plug	nss	2		
18	Terminal	912041	1		
19	Heating element (bottom)	904510	1		
20	Heating element (top)	904503	1		
21	Feet	912058	1	Set of 4	
22	Handle frame	912157	1	Incl. handle, frame and silicone plug	
22A	Axle	912195	1		
22B	Torsion spring	901908	1		
23	Lift axle	n/a	1		
24	Brake assembly	932278	1	Incl. item 25	
25	Lower brake	n/a	1		
26	Housing	n/a	1		
27	Knob insert	nss	1	Available as 942222	
*	Drip tray	263976	1	Has no number in drawing	

n/a -> not available

nss -> not sold separately

### Circuit diagram

 <b style="font-size: 2em; margin-left: 10px;">HENDI</b> <span style="color: #92D050; font-size: 0.8em; margin-left: 10px;">Tools for Chefs</span> <b>Hendi B.V.</b> Steenoven 21 3911 TX Rhenen The Netherlands	<b>Batch #</b>	<b>Appliance part#</b>
	HK073319 and up	<b>263600</b>
	<b>Description</b>	
	Contact grill ribbed top/smooth bottom	

<b>Date</b>	03-05-2021	<b>Revision #</b>	1.2
<b>Revision</b>	Updated knob and circuit diagram.		

