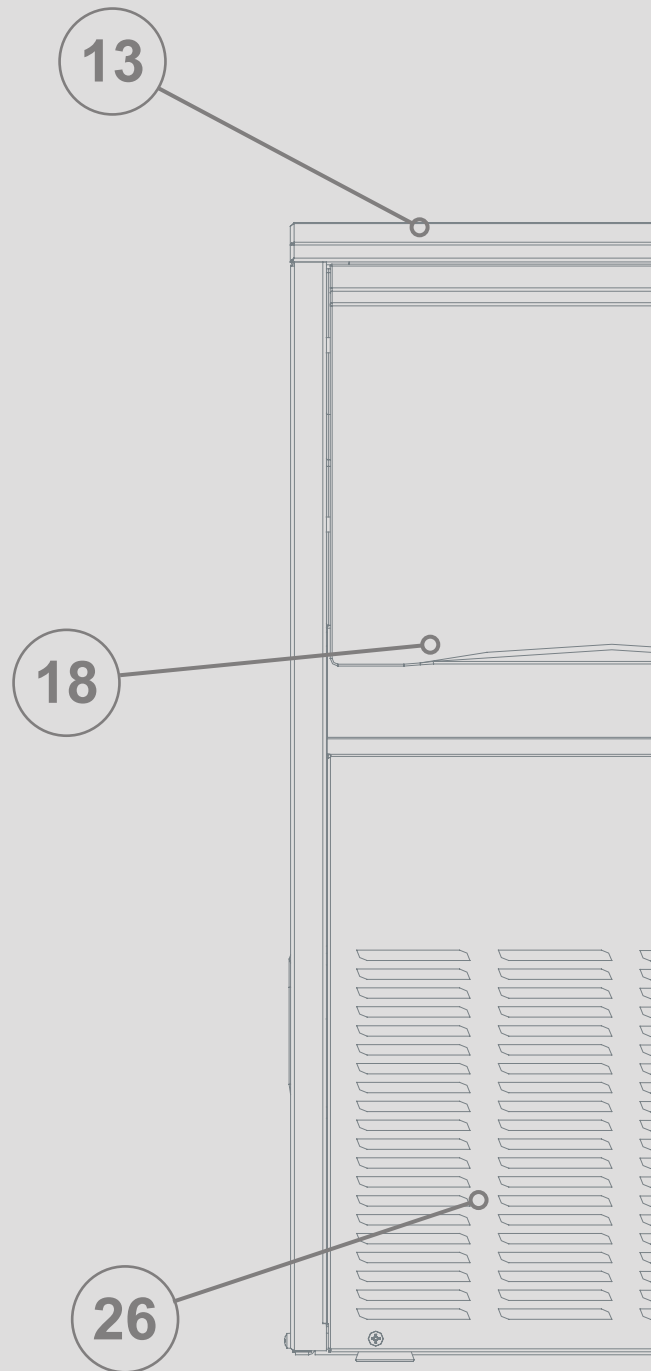


20 - 25 - 30 - 40 - 50 - 70 - 90

Produttori di ghiaccio a spruzzo - Spray Ice Makers

IT / EN



HOW TO ORDER SPARE PARTS

In order to avoid expensive delays or mistakes by delivery , when you order spare parts, be sure to have indicated the right code - number, the complete description you can find on the list and the quantity for each requested part. Please also include the name of the model for wich the spare parts are requested and its own serial number (fig. A)

COME ORDINARE LE PARTI DI RICAMBIO

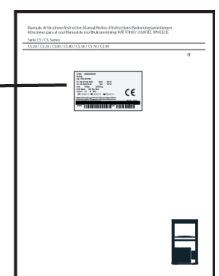
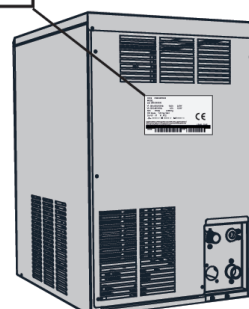
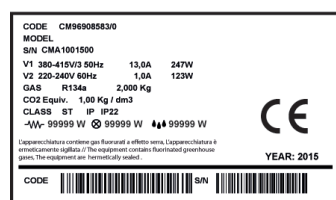
Al fine di evitare costosi ritardi od errori nella spedizione, quando ordinate le parti di ricambio, accertatevi di indicare il numero di codice, la descrizione completa che trovate sull'elenco e la quantità per ogni parte di ricambio richiesta. Includere inoltre il nome del modello per cui sono richieste le parti di ricambio ed il suo numero di serie (fig. A).

COMMENT COMMANDER LES PIÈCES DETACHEÉS

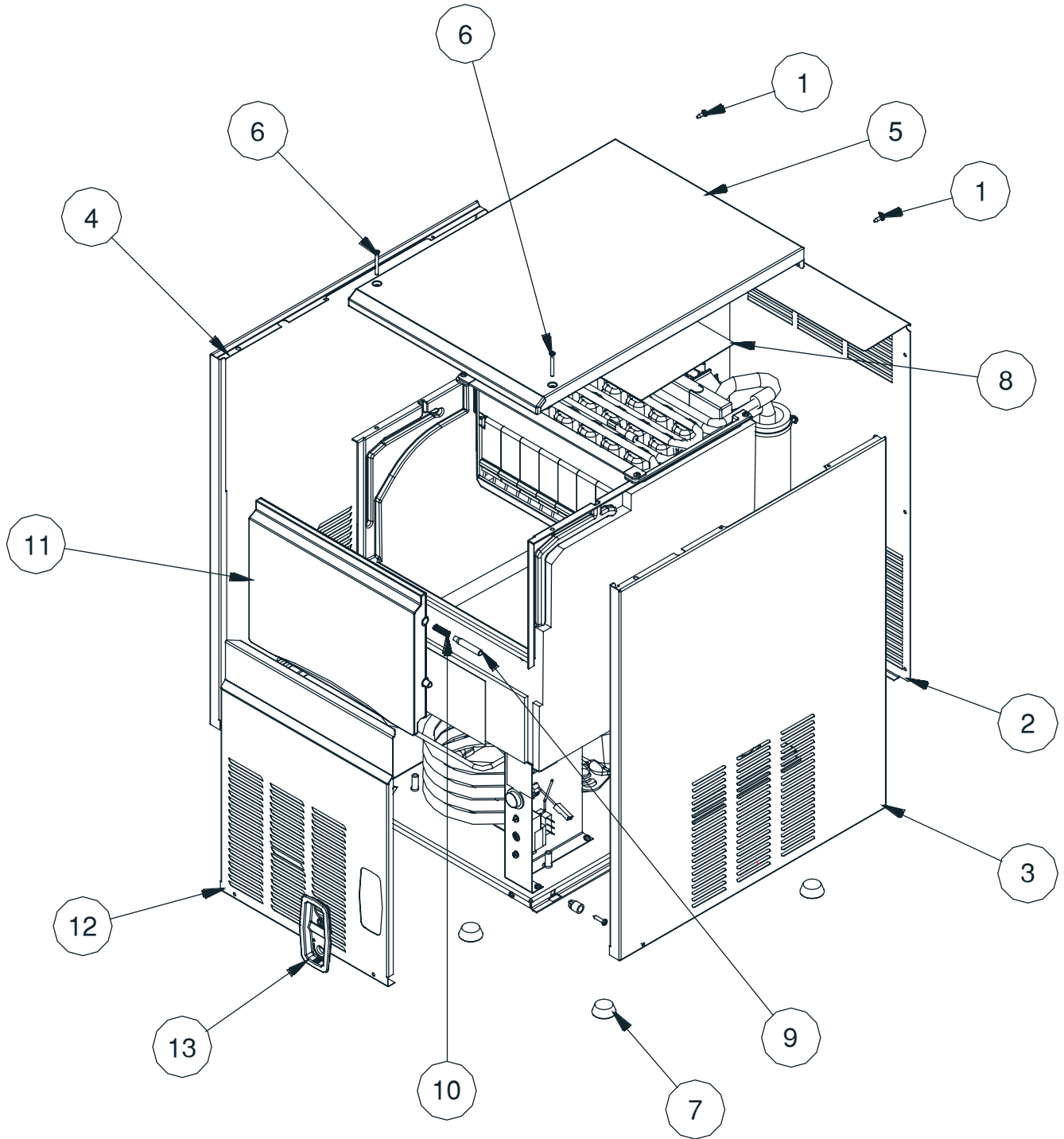
Pour éviter des retards coûteux ou des erreurs dans la livraison, au moment de commander les pièces detachées nous vous prions de bien vouloir vous assurer d'avoir indiqué la référence, la description complète que vous trouvez dans la liste et la quantité pour chaque pièce detachée demandée. Inclure en outre le nom du modèle pour lequel les pièces sont demandées et le numero de série (fig. A).

WIE DIE ERSATZTEILE BESTELLT WERDEN SOLLEN

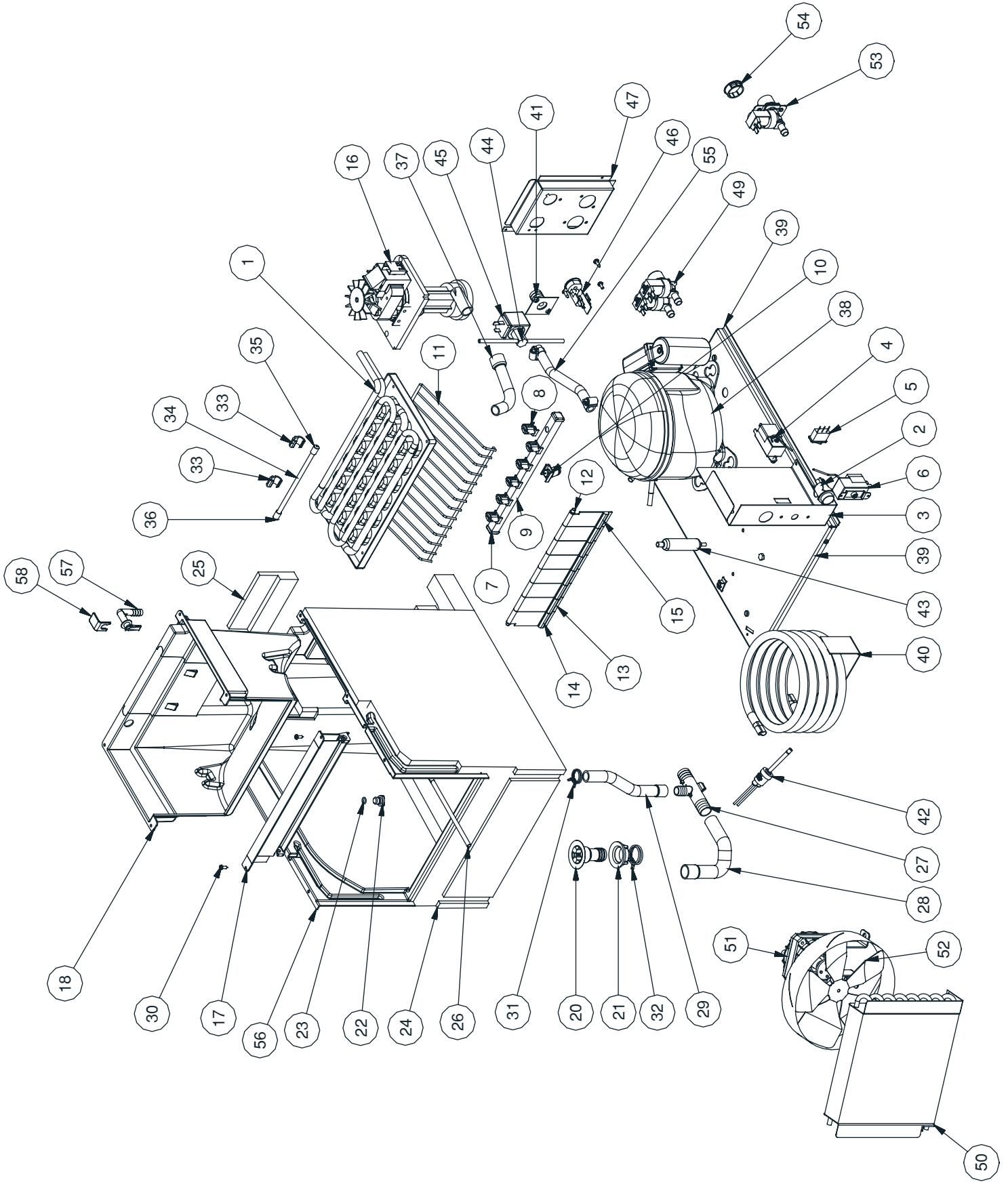
Um Fehl-b.z.w. verspätete Lieferungen zu vermeiden, geben Sie bei den Ersatzteilbestellungen die Kodenummer an. Volle Beschreibung wie in Katalog ersichtlich und Menge für sämtliche bestellte Ersatzteile sollten ebenfalls angegeben werden. Schließlich die bestellten Ersatzteile entsprechende Seriennummer hinweisen (fig. A).



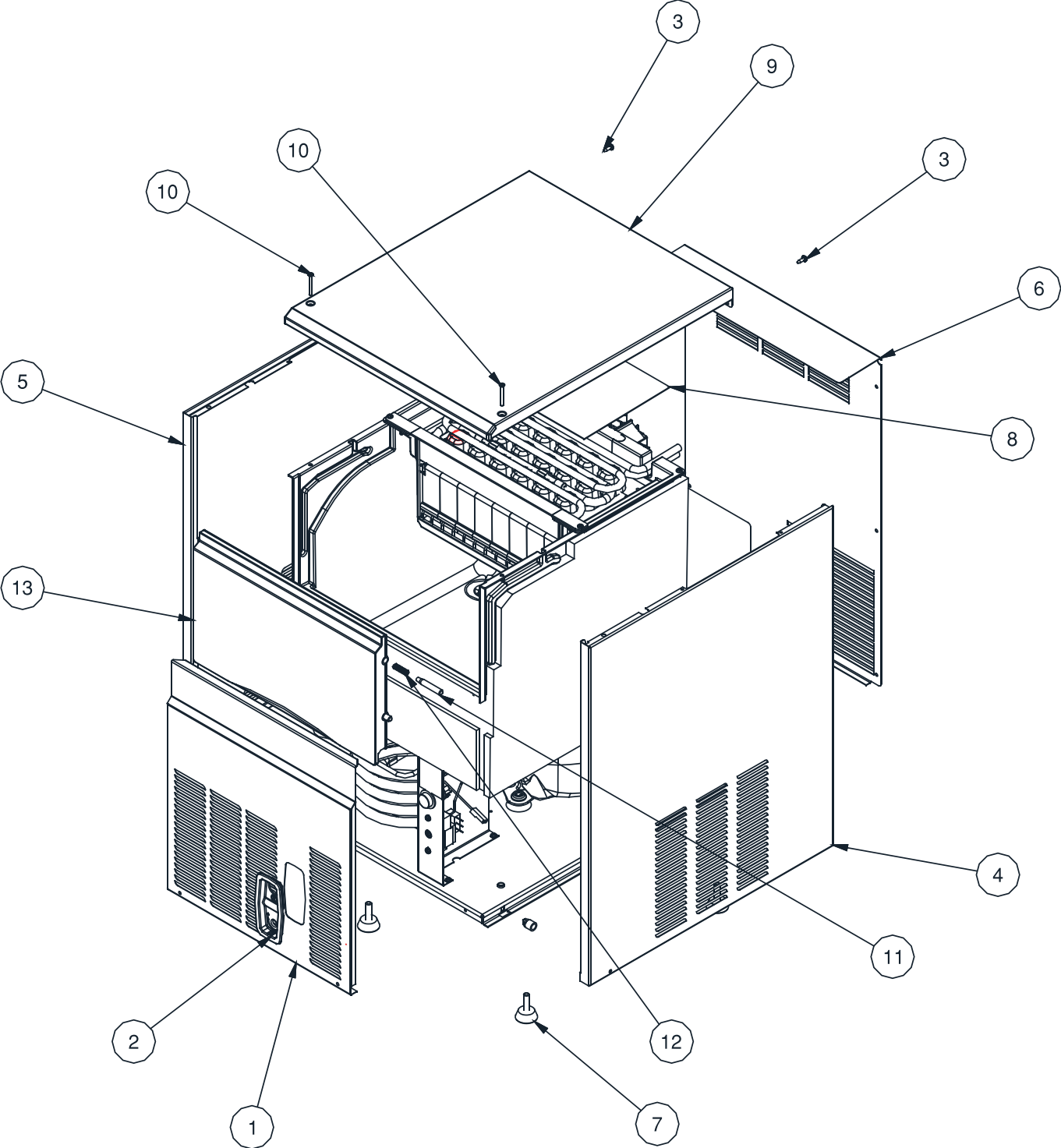
(fig. A)



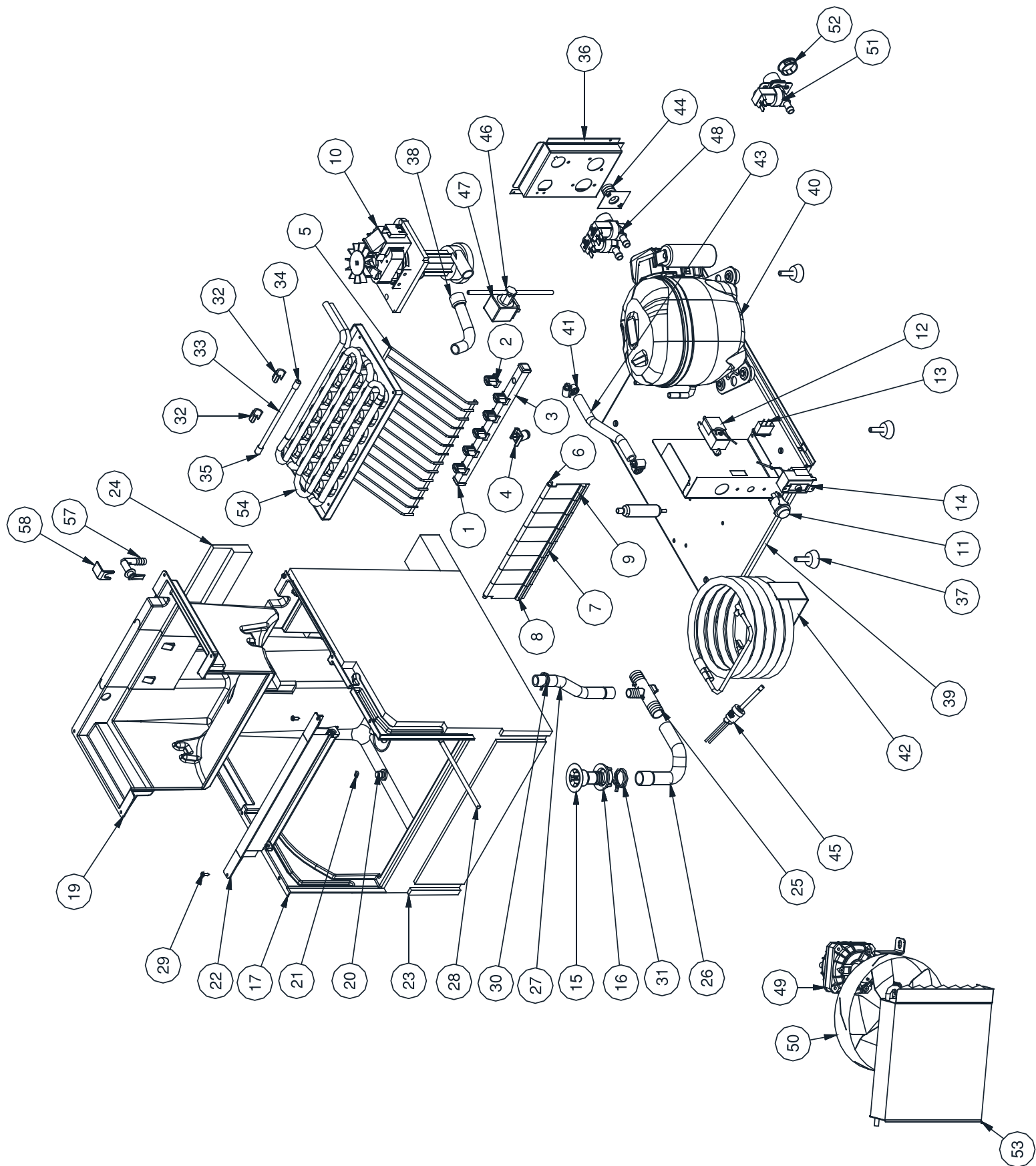
Pos.nr.	Codice/Code	Descrizione	Description
1	12727355/0	VITE ATCB 4.2X13	SCREW ATCB 4.2X13
2	25700070/0	PANNELLO POSTERIORE	BACK PANEL
3	25330942/0	FIANCO DESTRO	RIGHT PANEL
4	25330943/0	FIANCO SINISTRO	LEFT PANEL
5	81301068/0	ASS. COPERCHIO	COVER ASSY
6	12901904/0	VITE TSP M4x35	SCREW TSP M4x35
7	81502119/0	ASS. PIEDINO	LITTLE LEG ASSY
8	25160591/0	COPERCHIO PLAST. EVAPOR.	EVAP. PLASTIC COVER
9	25560160/0	PERNO SCORRIMENTO PORTA	DOOR PIVOT
10	25474590/0	MOLLA PERNO PORTA	SPRING DOOR PIVOT
11	81301055/0	ASS. PORTA	DOOR ASSY
12	25610180/0	PRESA D'ARIA ANTERIORE	FRONT PANEL
13	25590000/0	CORNICE COMANDI	FRAME CONTROL



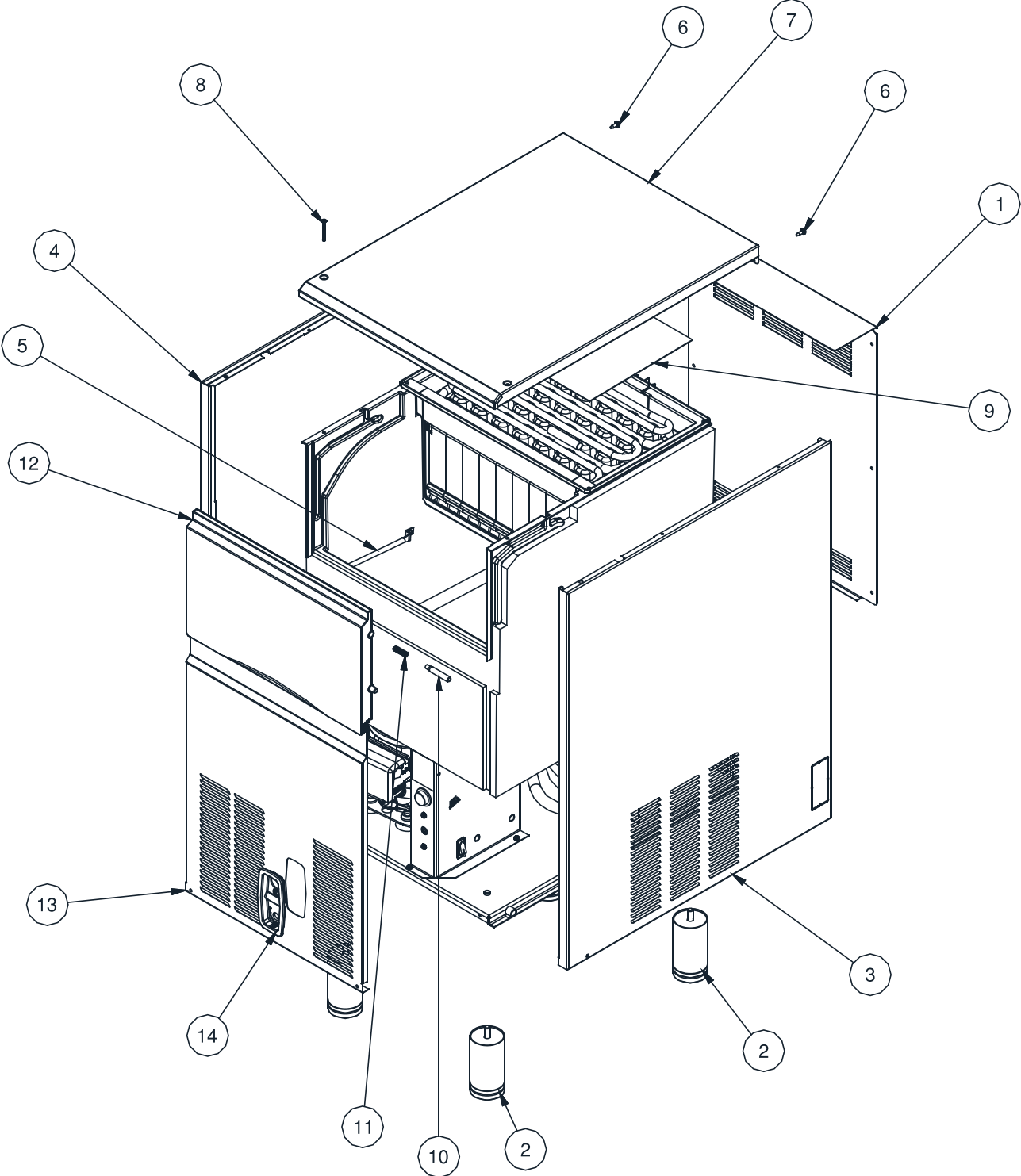
Pos.nr.	Codice/Code	Descrizione	Description	Pos.nr.	Codice/Code	Descrizione	Description
1	81301002/0	ASS. EVAPORATORE	EVAPORATOR ASSY	29	25782038/0	TUBO SCAR. TROPPOPIENO	OVERFULL PIPE.
2	33400059/0	INTERRUTTORE ON-OFF	ON-OFF SWITCH	30	12727813/0	VITE ATCB 4.2X13 IX	SCREW ATCB 4.2X13 IX
3	25725220/0	SCATOLA ELETTRICA	ELECTRIC BOX	31	19281337/0	STRINGITUBO A MOLLA D19.6	CLAMP SPRING D19.6
4	19797026/0	TERMOSTATO DEPOSITO	BIN THERMOSTAT	32	19281326/0	STRINGITUBO A MOLLA D28	CLAMP SPRING D28
5	33400049/0	INTERRUTTORE LAVAGGIO	WASHING SWITCH	33	25325904/0	FERMO PORTABULBO EVAP.	BULB HOLDER EVAP.
6	19797042/0	TERMOSTATO EVAPORATORE	EVAPORATOR THERMOSTAT	34	19800190/0	TUBO PORTABULBO EVAP. CS20-25	BULB HOLDER PIPE EVAP. CS20-25
7	25728002/0	TAPPO PER SPRUZZATORE	SPRAYER CAP	35	25767043/0	TAPPO C/FORO TUBO PORTABULBO	CAP EVAP WITH HOLE
8	25799003/0	UGELLO SPRUZZATORE	SPRAYER NOZZLE	36	25767044/0	TAPPO S/FORO TUBO PORTABULBO	CAP EVAP WITHOUT HOLE
9	25782032/0	TUBO SPRUZZATORE	SPRAYER PIPE	37	25782028/0	TUBO POMPA-SPRUZZ. EVAP.	SPRINKLER-PUMP PIPE.
10	25782027/0	TUBO INGR. SPRUZZATORE	SPRAYER INLET PIPE	38	19165851/0	COMPRESSORE 230V/50HZ	COMPRESSOR 230V/50HZ
11	25700410/0	SCIVOLO CUBETTI GHIACCIO	ICE CUBE CHUTE	39	xxxxxxx/0	COMPRESSORE 220V/60HZ	COMPRESSOR 220V/60HZ
12	25782034/0	PERNO SUPPORTO ALETTE	SUPPORT WING PIVOT	40	25114036/0	BASAMENTO	BASEMENT
13	25040111/0	ALETTA PARASPRUZZI	SPLASH STOP FIN	41	25714136/0	STAFFA SUPP. CONDENSATORE ACQUA	WATER CONDENSER BRACKET
14	25040110/0	ALETTA SX PARASPRUZZI	LEFT SPLASH STOP FIN	42	25631032/0	RACCORDO SCARICO ACQUA	WATER DRAIN JUNCTION
15	25040109/0	ALETTA DX PARASPRUZZI	RIGHT SPLASH STOP FIN	43	19550630/0	PRESSOSTATO	PRESSURE SWITCH
16	81301041/0	ASS. POMPA ACQUA 230V/50HZ	WATER PUMP ASSY 230V/50HZ	44	19300802/0	FILTRO GAS	GAS FILTER
	xxxxxxx/0	ASS. POMPA ACQUA 220V/60HZ	WATER PUMP ASSY 220V/60HZ	45	19863045/0	VALVOLA GAS CALDO	HOT GAS VALVE
17	25550281/0	PARATIA TENDINE EVAPOR.	EVAPORATOR CLOSER UPPER	46	19053102/0	BOBINA VALVOLA GAS CALDO	HOT GAS VALVE COIL
18	81301001/0	ASS. CONTEN. EVAPOR.	EVAPORATOR BIN ASSY	47	81300024/0	ASS.CAVO ALIMENTAZIONE	POWER CABLE
20	25685311/0	SCARICO DEPOSITO	BIN DRAIN	49	25725639/0	SUPP.ATTACCHI IDR./ELETTR. AW	WATER/ELECTRIC INPUT PANEL
21	25360200/0	GHIERA SCARICO	NUT DRAIN	50	19865543/0	VALV.ENT.ACQUA 220-240/50 (ACQUA)	WATER INLET VALVE (WATER)
22	25730503/0	TAPPO SCARICO VASCHETTA	BIN CAP DRAIN	51	19177125/0	CONDENSATORE ARIA	AIR CONDENSER
23	41020448/0	GUARN. O-RING 11.8x8x1.9	O-RING 11.8x8x1.9	52	18562547/0	MOTOVENTILATORE	FAN MOTOR
24	81301047/0	DEPOSITO ISOLATO	INSULATED BIN	53	18740023/0	PALA VENTIL. 200X31°	FAN BLADE
25	25410199/0	ISOLAM.PARATIA	INSULATION WALL	54	19865542/0	VALV. ENTRATA ACQUA (ARIA)	WATER INLET VALVE (AIR)
26	25767049/0	TUBO PORTABULBO DEP. GHIAC.	BULB HOLDER PIPE BIN	55	19690414/0	TAPPO	CAP
27	25685312/0	SCARICO MACCHINA	DISCHARGE MACHINE	56	25782076/0	TUBO CARICO ACQUA	CHARGE WATER PIPE
28	25782026/0	TUBO SCARICO DEPOSITO	STORAGE DISCHARGE PIPE	57	25135209/0	CONTENITORE GHIACCIO PLAST.	ICE PLASTIC BIN
				58	25600011/0	TUBO ENTRATA ACQUA EVAPOR.	PIPE WATER INLET EVAP.
					25600012/0	FERMO TUBO INGR. ACQUA EVAPOR.	LOCK PIPE WATER INLET EVAP.



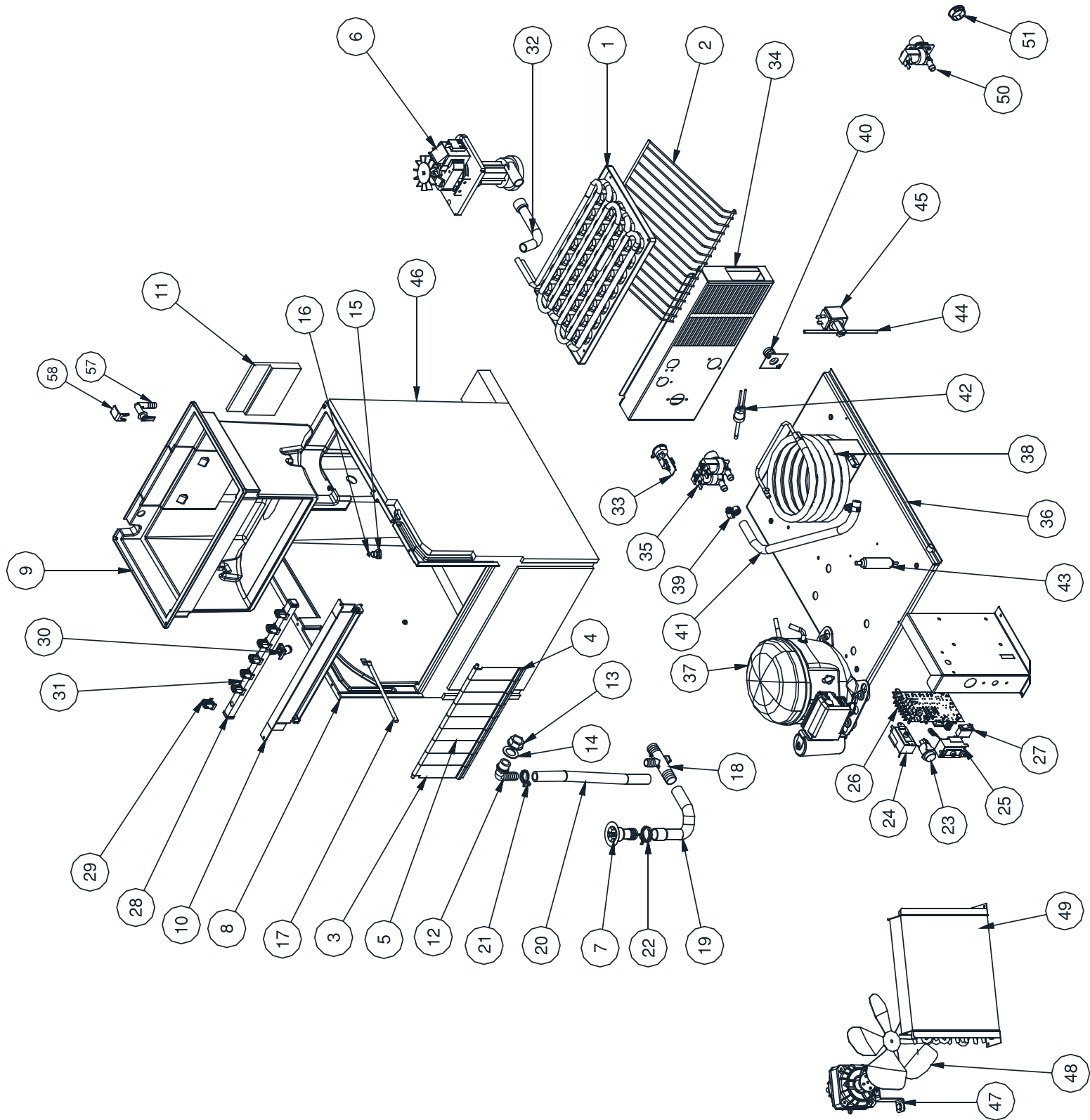
Pos.nr.	Codice/Code	Descrizione	Description
1	25610181/0	PRESA D'ARIA ANTERIORE	FRONT PANEL
2	25590000/0	CORNICE COMANDI	FRAME CONTROL
3	12727355/0	VITE ATCB 4.2X13	SCREW ATCB 4.2X13
4	25330942/0	FIANCO DESTRO	RIGHT PANEL
5	25330943/0	FIANCO SINISTRO	LEFT PANEL
6	25700071/0	SCHIENALE MACCHINA	BACK PANEL
7	81502119/0	ASS. PIEDINO 12 mm DIAM. 31	LITTLE LEG 12 mm ASSY
8	25160592/0	COPERCHIO PLAST. EVAPOR.	EVAP. PLASTIC COVER
9	81301069/0	ASS. COPERCHIO	COVER ASSY
10	12901904/0	VITE TSP M4x35	SCREW TSP M4x35
11	25560160/0	PERNO SCORRIMENTO PORTA	DOOR PIVOT
12	25474590/0	MOLLA PERNO PORTA	SPRING DOOR PIVOT
13	81301056/0	ASS. PORTA CS25	CS25 DOOR ASSY



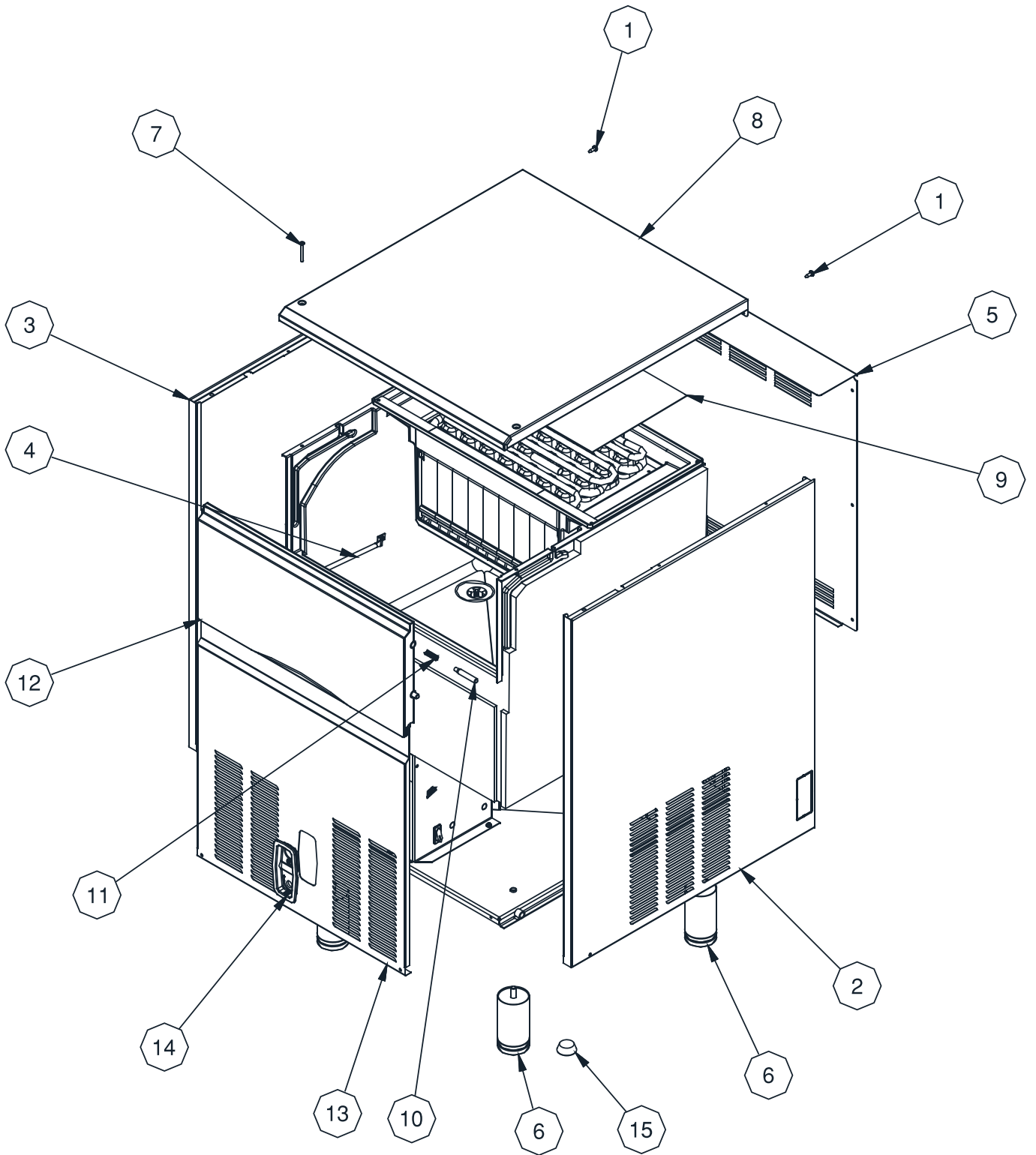
Pos.nr.	Codice/Code	Descrizione	Description	Pos.nr.	Codice/Code	Descrizione	Description
1	2572802/0	TAPPO PER SPRUZZATORE	SPRAYER CUP	31	19281326/0	STRINGITUBO A MOLLA D28.1-26.7	CLUMP SPRING D28.1-26.7
2	25799003/0	UGELLO SPRUZZATORE	SPRAYER NOZZLE	32	25325904/0	FERMO PORTABULBO EVAP.	BULB HOLDER EVAP.
3	25782032/0	TUBO SPRUZZATORE	SPRAYER PIPE	33	19800190/0	TUBO PORTABULBO EVAP. CS20-25	BULB HOLDER PIPE EVAP. CS20-25
4	25782027/0	TUBO INGR. SPRUZZATORE	SPRAYER INLET PIPE	34	25767043/0	TAPPO C/FORO TUBO PORTABULBO	CAP EVAP WITH HOLE
5	25700410/0	SCIVOLO CUBETTI GHIACCIO	ICE CUBE CHUTE	35	25767044/0	TAPPO S/FORO TUBO PORTABULBO	CAP EVAP WITHOUT HOLE
6	25782034/0	PERNO SUPP. ALETTE PARASPR.	SUPPORT WINGS PIVOT	36	25725639/0	SUPP.ATTACCHI IDR./ELETR. A/W	WATER/ELECTRIC INPUT PANEL
7	25040111/0	ALETTA PARASPRUZZI	SPLASH STOP FIN	37	81502119/0	ASS. PIEDINO	LITTLE LEG ASSY
8	25040110/0	ALETTA SX PARASPRUZZI	LEFT SPLASH STOP FIN	38	25782028/0	TUBO POMPA-SPRUZZ. EVAP.	SPRINKLER-PUMP PIPE
9	25040109/0	ALETTA DX PARASPRUZZI	RIGHT SPLASH STOP FIN	39	25114037/0	BASAMENTO	BASEMENT
10	81301041/0	ASS. POMPA 230V 50Hz	WATER PUMP ASSY 230V 50HZ	40	19165636/0	COMPRESSORE 230V/50HZ	COMPRESSOR 230V/50HZ
11	33400059/0	INTERRUTTORE ON-OFF	ON-OFF SWITCH	41	19280153/0	FASC.STRINGITUBO L= 9MM D8-16	CLAMP PIPE L= 9MM D8-16
12	19797026/0	TERMOSTATO DEPOSITO	BIN THERMOSTAT	42	81301102/0	CONDENSATORE ACQUA	WATER CONDENSER
13	33400049/0	INTERRUTTORE LAVAGGIO	WASHING SWITCH	43	25782076/0	TUBO CARICO ACQUA COND.	COND. WATER CHARGE PIPE
14	19797042/0	TERMOSTATO EVAPORATORE	EVAPORATOR THERMOSTAT	44	25631032/0	RACCORDO SCARICO ACQUA	WATER DRAIN JUNCTION
15	25685311/0	SCARICO DEPOSITO	BIN DRAIN	45	19550630/0	PRESSOSTATO	PRESSURE SWITCH
16	25360200/0	GHIERA SCARICO	NUT DRAIN	46	19863045/0	VALVOLA GAS CALDO	HOT GAS VALVE
17	25135211/0	CONTENITORE GHIACCIO PLAST.	ICE PLASTIC BIN	47	19053102/0	BOBINA VALVOLA GAS CALDO	HOT GAS VALVE COIL
18	81301106/0	ASS. CONTENITORE EVAPOR.	EVAPORATOR BIN ASSY	48	19865543/0	VALV.ENT.ACQUA COND. ACQUA	WATER VALVE - WATER CONDENS.
19	25730503/0	TAPPO SCARICO VASCHETTA	BIN CUP DRAIN	49	18562547/0	MOTOVENTILATORE	FAN MOTOR
20	41020448/0	GUARN. O-RING 11.8x8x1.9	O-RING 11.8x8x1.9	50	18740023/0	PALA VENTILATORE	FAN MOTOR BLADE
21	2550282/0	PARATIA TENDINE EVAPOR.	EVAPORATOR CLOSER UPPER	51	19865542/0	VALVOLA ACQUA (VERS. ARIA)	WATER VALVE (AIR VERS.)
22	81301048/0	DEPOSITO ISOLATO	INSULATED BIN	52	19690414/0	TAPPO	CAP
23	25410199/0	ISOLAMENTO PARATIA	INSULATION WALL	53	19865543/0	CONDENSATORE AD ARIA	AIR CONDENSER
24	25685312/0	SCARICO MACCHINA	DISCHARGE MACHINE	54	81301002/0	ASS. EVAPORATORE	EVAPORATOR ASSY
25	25782026/0	TUBO SCARICO DEPOSITO	STORAGE DISCHARGE PIPE.	57	25600011/0	TUBO ENTRATA ACQUA EVAPOR.	PIPE WATER INLET EVAP.
26	25782038/0	TUBO SCAR. TROPPOPIENO.	OVERFULL PIPE	58	25600012/0	FERMO TUBO INGR. ACQUA EVAPOR.	LOCK PIPE WATER INLET EVAP.
27	25767049/0	TUBO PORTABULBO DEP. GHIACCIO	BULB HOLDER PIPE STORAGE BIN				
28	12727813/0	VITE ATCB 4.2X13	SCREW ATCB 4.2X13				
29	19281337/0	STRINGITUBO A MOLLA D19.6-20.6	CLAMP SPRING D19.6-20.6				



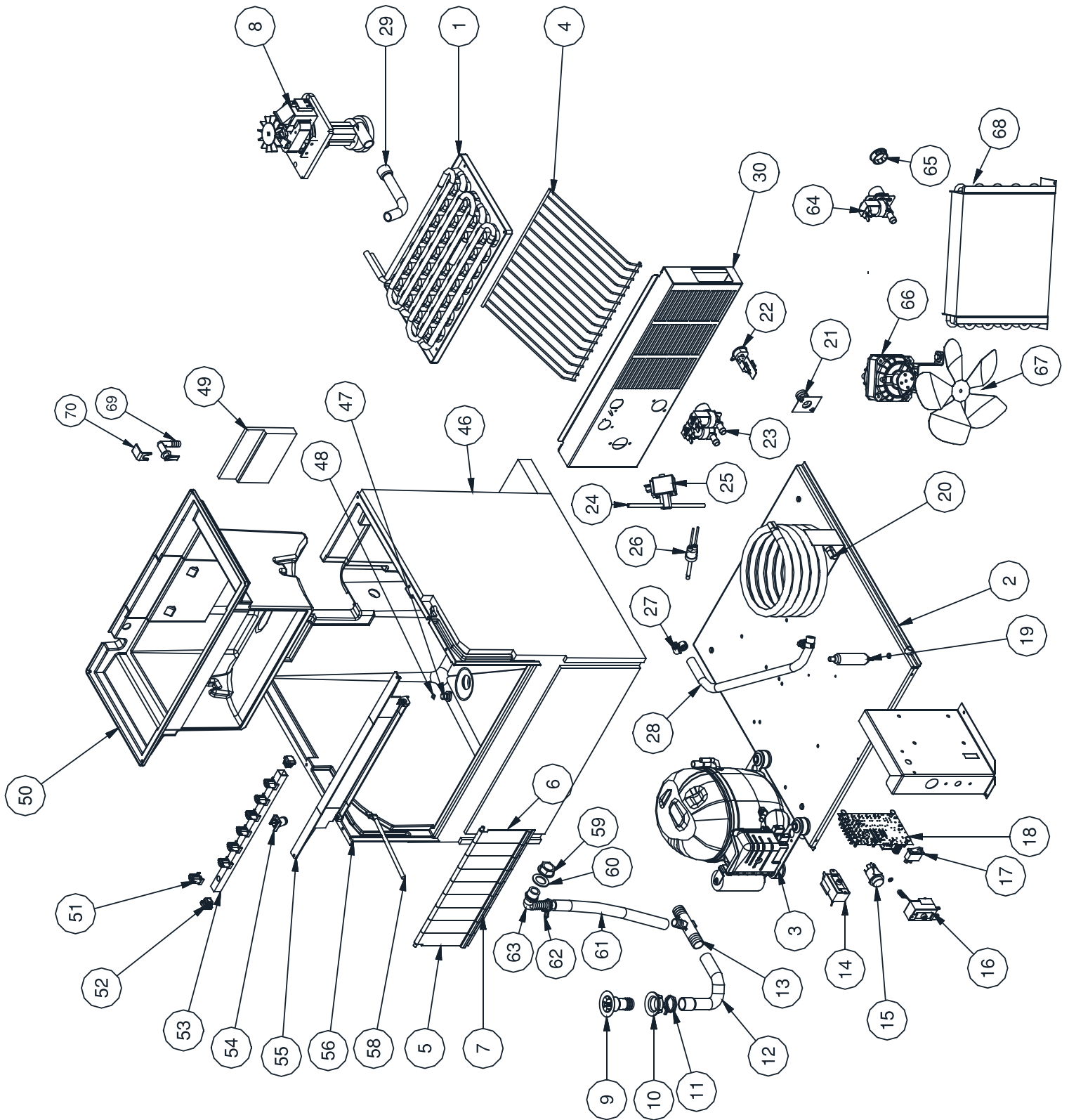
Pos.nr.	Codice/Code	Descrizione	Description
1	25700072/0	SCHIENALE MACCHINA	BACK PANEL
2	25570708/0	ASS. PIEDINO Ø50 H100-120	LEG ASSY Ø50 H100-120
3	25330944/0	FIANCO DESTRO	RIGHT PANEL
4	25330945/0	FIANCO SINISTRO	LEFT PANEL
5	25767049/0	TUBO PORTABULBO DEPOSITO	HOLDER PROBE STORAGE PIPE
6	12727355/0	VITE ATCB 4.2X13	SCREW ATCB 4.2X13
7	81301070/0	ASS. COPERCHIO MACCHINA	COVER ASSY
8	12901904/0	VITE TSP M4x35 A2 UNI 7688	SCREW TSP M4x35
9	25160593/0	COPERCHIO PLAST. EVAPOR.	EVAPOR. PLASTIC COVER
10	25560160/0	PERNO SCORRIMENTO PORTA	DOOR PIVOT
11	25474590/0	MOLLA PERNO PORTA	SPRING DOOR PIVOT
12	81301056/0	ASS. PORTA CS25	CS25 DOOR ASSY
13	25610182/0	PRESA D'ARIA ANTERIORE	FRONT PANEL
14	25590000/0	CORNICE COMANDI	FRAME CONTROL



Pos.nr.	Codice/Code	Descrizione	Description	Pos.nr.	Codice/Code	Descrizione	Description
1	81301010/0	ASS. EVAPORATORE	EVAPORATOR ASSY	31	25782039/0	TUBO SPRUZZATORE	SPRAYER PIPE
2	25700411/0	SCIVOLO CUBETTI GHIACCIO	ICE CUBE CHUTE	32	25782028/0	TUBO POMPA-SPRUZZ. EVAP.	EVAP-PUMP PIPE
3	25040113/0	ALETTA SX PARASPRUZZI	LEFT SPLASH STOP FINI	33	81300024/0	ASS. INGRESSO ALIMENTAZIONE	ELECTRIC SUPPLY ASSY
4	25040112/0	ALETTA DX PARASPRUZZI	RIGHT SPLASH STOP FIN	34	25725222/0	SUPP. ATTACCHI IDRICI/ELETTTR.	WATER/ELECTRIC SUPPLY PANEL
5	25040114/0	ALETTA PARASPRUZZI	SPLASH STOP FIN	35	19865543/0	DOPPIA VALV.ENT.ACQUA (cond W)	DOUBLE WATER VALVE (Water cond)
6	81301041/0	ASS. POMPA 230V 50HZ	PUMP ASSY 230V 50HZ	36	25114038/0	BASAMENTO	BASEMENT
7	25685311/0	SCARICO DEPOSITO	BIN DRAIN	37	19165879/0	COMPRESSORE 230V/50HZ	COMPRESSOR 230V/50HZ
8	25135213/0	CONTENITORE PLAST. GHIACCIO	PLASTIC ICE BIN	38	81301148/0	ASS. CONDENSATORE ACQUA	WATER CONDENSER ASSY
9	81301031/0	ASS. CONTENITORE EVAPOR.	EVAPOR. BIN ASSY	39	19280153/0	FASC. STRINGITUBO D8-16	PIPE CLAMP D8-16
10	25550283/0	PARATIA TENDINE EVAPOR.	EVAPORATOR CLOSER UPPER	40	25631032/0	RACCORDO SCARICO ACQUA	WATER DRAIN JUNCTION
11	25410195/0	ISOLAM.PARATIA	INSULATION WALL	41	25781551/0	TUBO CARICO ACQUA CONDENS. W	COND. WATER CHARGE PIPE
12	19560231/0	PORTAGOMMA CURVO	CURVED HOSE	42	19550630/0	PRESSOSTATO	PRESSURE SWITCH
13	26103879/0	DADO 1/2"G	DICE 1/2"G	43	19300802/0	FILTRO GAS	GAS FILTER
14	19350514/0	GUARNIZIONE 20X32X2	SEAL 20X32X2	44	19863033/0	VALVOLA GAS CALDO	HOT GAS VALVE
15	25730503/0	TAPPO SCARICO VASCETTA	BIN CUP DRAIN	45	19053102/0	BOBINA VALVOLA GAS CALDO	HOT GAS COIL
16	41020448/0	O-RING 11.8x8x1.9	O-RING 11.8x8x1.9	46	81301053/0	DEPOSITO ISOLATO	INSULATED BIN
17	25767049/0	TUBO PORTABULBO DEP. GHIACCIO	BULB HOLDER PIPE STORAGE BIN	47	18562496/0	MOTOVENTILATORE	FAN MOTOR
18	25685312/0	SCARICO MACCHINA	DISCHARGE MACHINE	48	18740031/0	PALA VENTILATORE	FAN MOTOR BLADE
19	25782026/0	TUBO SCARICO DEPOSITO	STORAGE DISCHARGE PIPE	49	19177126/0	CONDENSATORE ARIA	AIR CONDENSER
20	25781550/0	TUBO SCARICO TROPPOPIENO	OVERFULL PIPE	50	19865518/0	VALVOLA ACQUA (VERS. ARIA)	WATER VALVE (AIR VERS.)
21	19280714/0	STRINGITUBO A MOLLA D20.6-21.6	CLAMP SPRING D20.6-21.6	51	19690414/0	TAPPO	CAP
22	19281326/0	STRINGITUBO A MOLLA D28.1-26.7	CLAMP SPRING D28.1-26.7	57	25600011/0	TUBO ENTR. ACQUA EVAPOR.	PIPE WATER INLET EVAP.
23	33400059/0	INTERRUTTORE ON/OFF	ON-OFF SWITCH	58	25600012/0	FERMO TUBO INGR. ACQUA EVAP.	LOCK PIPE WATER INLET EVAP.
24	19797026/0	TERMOSTATO DEPOSITO	BIN THERMOSTAT				
25	19797009/0	TERMOSTATO EVAPORATORE	EVAP. THERMOSTAT				
26	33580321/0	SCHEDA SCHEDA ELETTTR. TIMER	TIMER PC-BOARD				
27	33400046/0	PULSANTE DI LAVAGGIO	WASHING PUSH BUTTON				
28	25728002/0	TAPPO PER SPRUZZATORE	SPRAYER CUP				
29	25799003/0	UGELLO SPRUZZATORE	SPRAYER NOZZLE				
30	25782027/0	TUBO INGR. SPRUZZATORE	SPRAYER INLET PIPE				

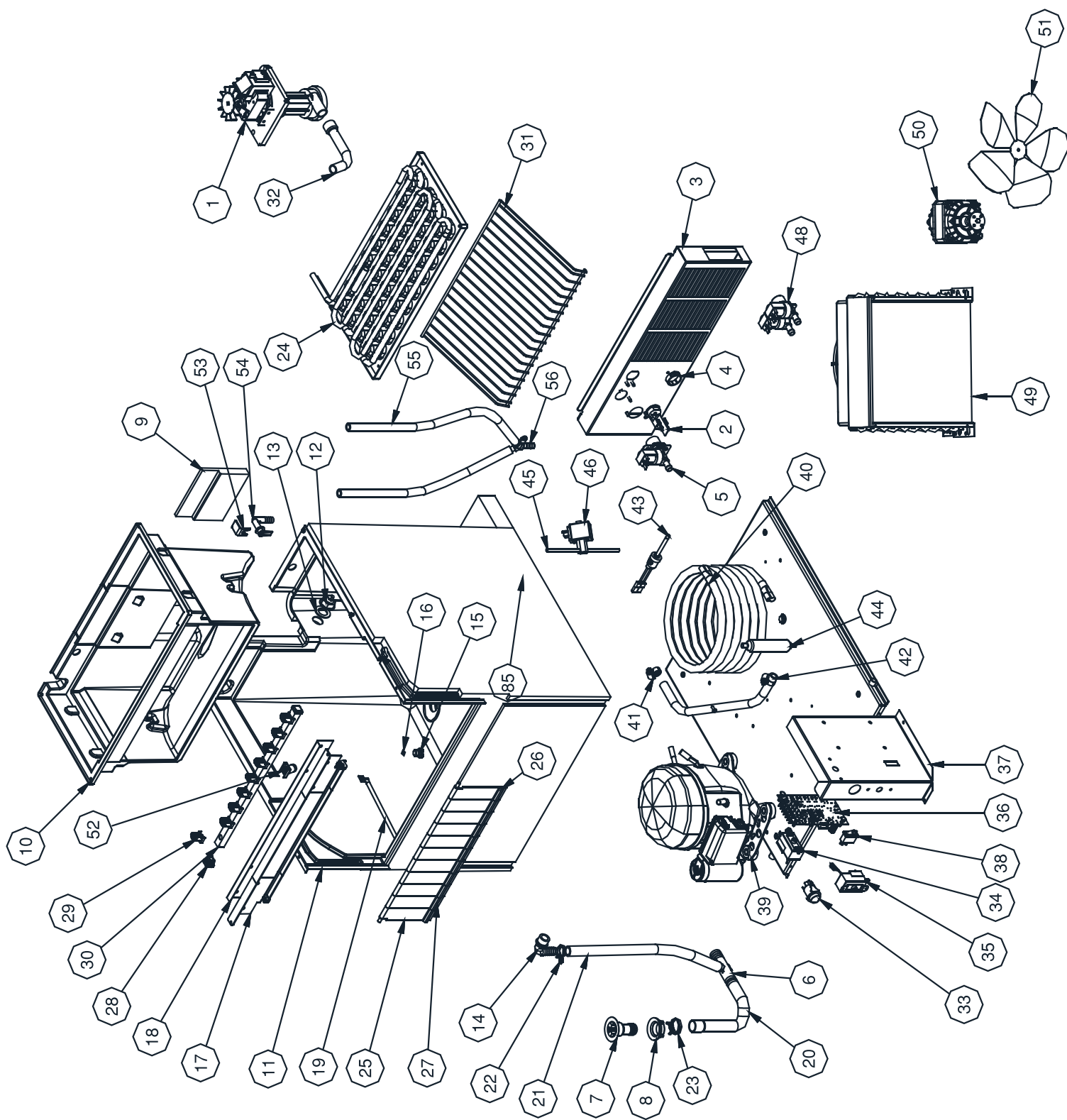


Pos.nr.	Codice/Code	Descrizione	Description
1	12727355/0	VITE ATCB 4.2X13	SCREW ATCB 4.2X13
2	25330944/0	FIANCO DESTRO	RIGHT PANEL
3	25330945/0	FIANCO SINISTRO	LEFT PANEL
4	25767049/0	TUBO PORTABULBO DEPOSITO	HOLDER PROBE STORAGE PIPE
5	25700073/0	SCHIENALE MACCHINA	BACK PANEL
6	25570708/0	ASS. PIEDINO Ø50 H100-120	LEG ASSY Ø50 H100-120
7	12901904/0	VITE TSP M4x35 A2 UNI 7688	SCREW TSP M4x35
8	81301071/0	ASS. COPERCHIO MACCHINA	COVER ASSY
9	25160594/0	COPERCHIO PLAST. EVAPOR.	EVAPOR. PLASTIC COVER
10	25560160/0	PERNO SCORRIMENTO PORTA	DOOR PIVOT
11	25474590/0	MOLLA PERNO PORTA	SPRING DOOR PIVOT
12	81301057/0	ASS. PORTA CS40-50	CS40-50 DOOR ASSY
13	25610183/0	PRESA D'ARIA ANTERIORE	FRONT PANEL
14	25590000/0	CORNICE COMANDI	FRAME CONTROL
15	81502119/0	ASS. PIEDINO 12 mm DIAM. 31	LITTLE LEG 12 mm ASSY



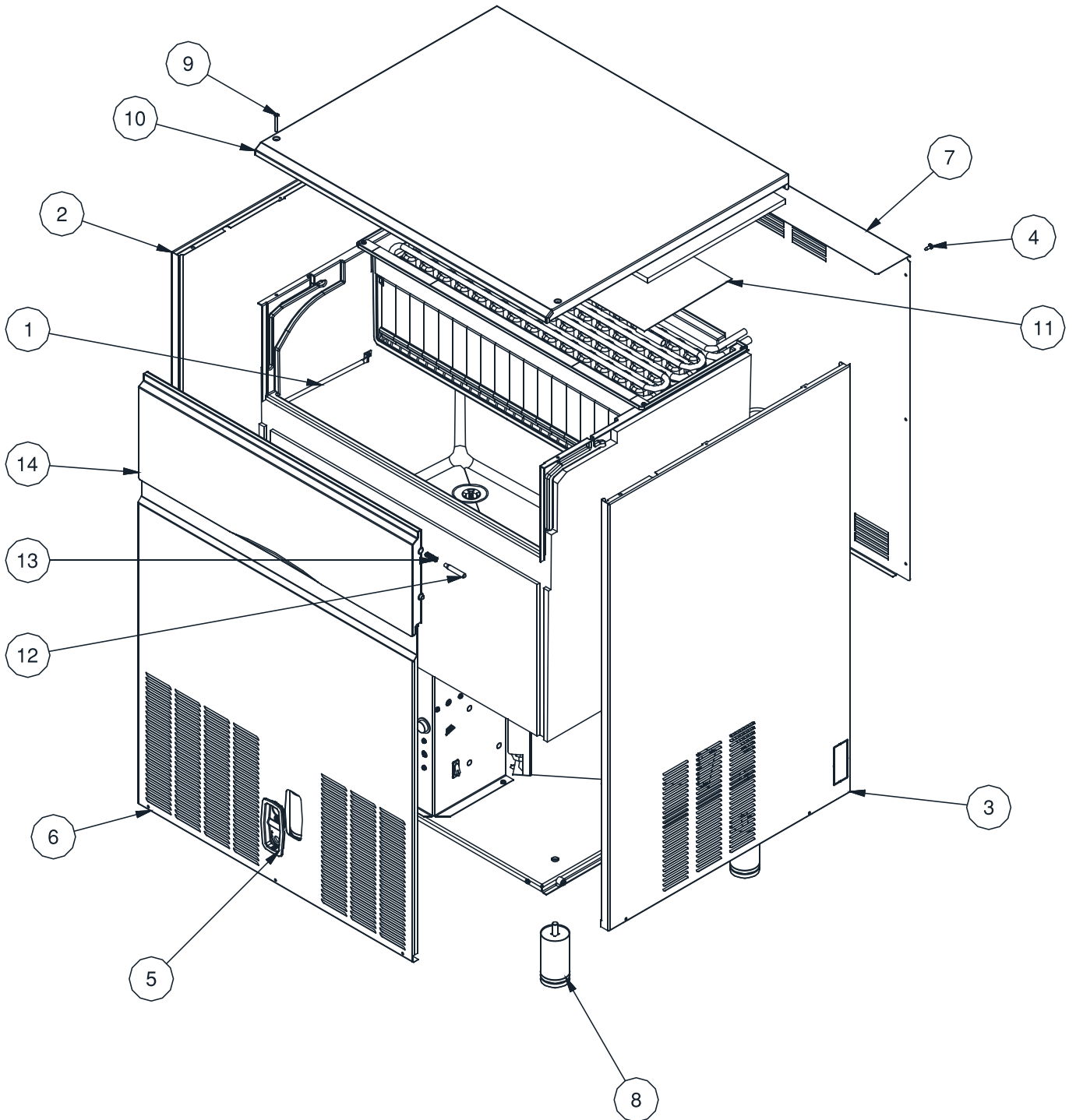
Pos.nr.	Codice/Code	Descrizione	Description	Pos.nr.	Codice/Code	Descrizione	Description
1	81301010/0	ASS. EVAPORATORE	EVAPORATOR ASSY	46	81301054/0	DEPOSITO ISOLATO	INSULATED BIN
2	25114039/0	BASAMENTO	BASEMENT	47	25730503/0	TAPPO SCARICO VASCHETTA	BIN CUP DRAIN
3	19165643/0	COMPRESSORE 230V/50HZ	COMPRESSOR 230V/50HZ	48	41020448/0	O-RING 11.8x8x1.9	O-RING 11.8x8x1.9
4	25700411/0	SCIVOLO CUBETTI GHIACCIO	ICE CUBE CHUTE	49	25410195/0	ISOLAM.PARATIA	INSULATION WALL
5	25040113/0	ALETTA SX PARASPRUZZI	LEFT SPLASH STOP FINI	50	81301036/0	ASS. CONTENITORE EVAPOR.	EVAPOR. BIN ASSY
6	25040112/0	ALETTA DX PARASPRUZZI	RIGHT SPLASH STOP FIN	51	25799003/0	UGELLO SPRUZZATORE	SPRAYER NOZZLE
7	25040114/0	ALETTA PARASPRUZZI	SPLASH STOP FIN	52	25728002/0	TAPPO PER SPRUZZATORE	SPRAYER CUP
8	81301041/0	ASS. POMPA 230V 50Hz	PUMP ASSY 230V 50Hz	53	25782039/0	TUBO SPRUZZATORE	SPRAYER PIPE
9	25685311/0	SCARICO DEPOSITO	BIN DRAIN	54	25782027/0	TUBO INGR. SPRUZZATORE	EVAPORATOR INLET PIPE
10	25360200/0	GHIERA FIX SCARICO	MOUNTING DISCHARGE RING	55	25550284/0	PARATIA TENDINE EVAPOR.	EVAPORATOR CLOSER UPPER
11	19281326/0	STRINGITUBO A MOLLA D28.1-26.7	CLAMP SPRING D28.1-26.7	56	25135215/0	CONTENITORE PLAST. GHIACCIO	PLASTIC ICE BIN
12	25782026/0	TUBO SCARICO DEPOSITO	STORAGE DISCHARGE PIPE	57	25767049/0	TUBO PORTABULBO DEP. GHIACCIO	BULB HOLDER PIPE STORAGE BIN
13	25685312/0	SCARICO MACCHINA	DISCHARGE MACHINE	58	25767049/0	TUBO PORTABULBO DEPOSITO	HOLDER PROBE STORAGE PIPE
14	19797026/0	TERMOSTATO DEPOSITO	BIN THERMOSTAT	59	26103879/0	DADO 1/2"G	DICE 1/2"G
15	33400059/0	INTERRUTTORE ON/OFF	ON-OFF SWITCH	60	19350514/0	GUARNIZIONE 20X32X2	SEAL 20X32X2
16	19797009/0	TERMOSTATO EVAPORATORE	EVAP. THERMOSTAT	61	25781549/0	TUBO SCARICO TROPPOPIENO	OVERFULL PIPE
17	33400046/0	PULSANTE DI LAVAGGIO	WASHING PUSH BUTTON	62	19280714/0	STRINGITUBO A MOLLA D20.6-21.6	CLAMP SPRING D20.6-21.6
18	33580321/0	SCHEDA SCHEDA ELETTR. TIMER	TIMER PC- BOARD	63	19560231/0	PORTAGOMMA CURVO	CURVED HOSE
19	19300802/0	FILTRO GAS	GAS FILTER	64	19866542/0	VALVOLA ACQUA (VERS. ARIA)	WATER VALVE (AIR VERS.)
20	81301148/0	ASS. CONDENSATORE ACQUA	WATER CONDENSER ASSY	65	19690414/0	TAPPO	CAP
21	25631032/0	RACCORDO SCARICO ACQUA	WATER DRAIN JUNCTION	66	18562496/0	MOTOVENTILATORE	FAN MOTOR
22	81300024/0	ASS. INGRESSO ALIMENTAZIONE	ELECTRIC SUPPLY ASSY	67	18740031/0	PALA VENTILATORE	FAN MOTOR BLADE
23	19865543/0	DOPPIA VALV. ENT.ACQUA (cond W)	DOUBLE WATER VALVE (Water cond)	68	19177127/0	CONDENSATORE ARIA	AIR CONDENSER
24	19863033/0	VALVOLA GAS CALDO	HOT GAS VALVE	69	25600011/0	TUBO ENTR. ACQUA EVAPOR.	PIPE WATER INLET EVAP.
25	19053102/0	BOBINA VALVOLA GAS CALDO	HOT GAS COIL	70	25600012/0	FERMO TUBO INGR. ACQUA EVAP.	LOCK PIPE WATER INLET EVAP.
26	19550630/0	PRESSOSTATO	PRESSURE SWITCH				
27	19280153/0	FASC.STRINGITUBO D8-16	PIPE CLAMP D8-16				
28	25781551/0	TUBO CARICO ACQUA CONDENS. W	COND. WATER CHARGE PIPE				
29	25782028/0	TUBO POMPA-SPRUZZ. EVAP.	EVAP.PUMP PIPE				
30	25725223/0	SUPP. ATTACCHI IDRICI/ELETTR.	WATER/ELECTRIC SUPPLY PANEL				

Pos.nr.	Codice/Code	Descrizione	Description
1	12727355/0	VITE ATCB 4.2X13	SCREW ATCB 4.2X13
2	25330946/0	FIANCO DESTRO	RIGHT PANEL
3	25330947/0	FIANCO SINISTRO	LEFT PANEL
4	25610184/0	PRESA D'ARIA ANTERIORE	FRONT PANEL
5	25590000/0	CORNICE COMANDI	FRAME CONTROL
6	25700074/0	SCHIENALE MACCHINA	BACK PANEL
7	12901904/0	VITE TSP M4x35	SCREW TSP M4x35
8	81301072/0	ASS. COPERCHIO MACCHINA	COVER ASSY
9	25160594/0	COPERCHIO PLAST. EVAPOR.	EVAPOR. PLASTIC COVER
10	81301057/0	ASS. PORTA CS40-50	CS40-50 DOOR ASSY
11	25560160/0	PERNO SCORRIMENTO PORTA	DOOR PIVOT
12	25474590/0	MOLLA PERNO PORTA	SPRING DOOR PIVOT
13	25570708/0	ASS. PIEDINO Ø50 H100-120	LEG ASSY Ø50 H100-120
14	81502119/0	ASS. PIEDINO 12 mm DIAM. 31	LITTLE LEG 12 mm ASSY
15	25767048/0	TUBO PORTABULBO DEPOSITO	HOLDER PROBE STORAGE PIPE

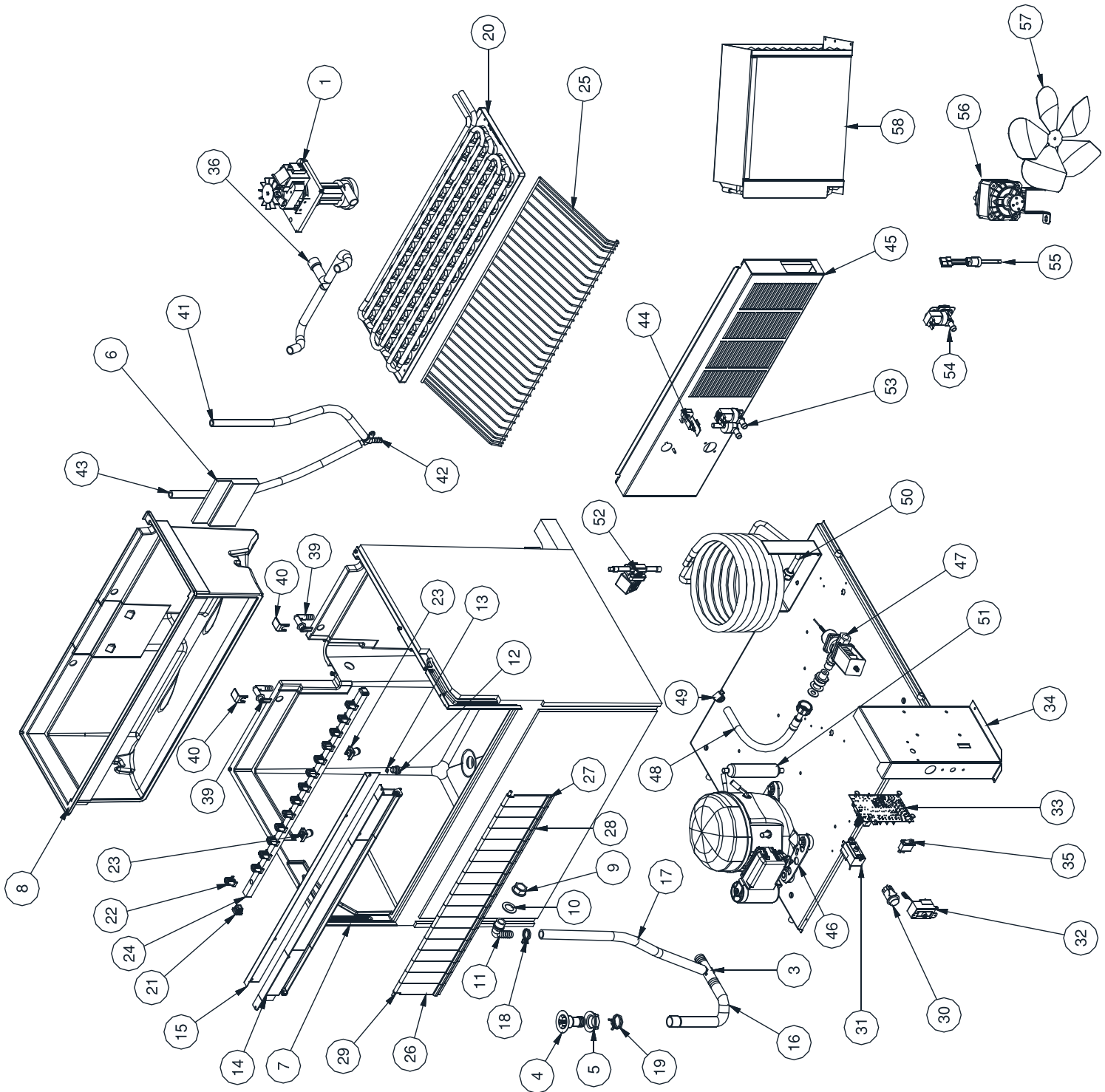


Pos.nr.	Codice/Code	Descrizione	Description	Pos.nr.	Codice/Code	Descrizione	Description
1	81301041/0	ASS. POMPA 230V 50Hz	PUMP ASSY 230V 50Hz	31	25700412/0	SCIVOLO CUBETTI GHIACCIO	ICE CUBE CHUTE
2	81300024/0	ASS. INGRESSO ALIMENTAZIONE	ELECTRIC SUPPLY ASSY	32	25782078/0	TUBO POMPA-SPRUZZ. EVAP.	EVAP-PUMP PIPE
3	25729223/0	SUPP. ATTACCHI IDRICI/ELETT. TAPPO	WATER/ELECTRIC SUPPLY PANEL PLUG	33	33400059/0	INTERRUTTORE ON/OFF	ON-OFF SWITCH
4	19690414/0	VALVOLA ACQUA (VERS. ARIA)	WATER VALVE (AIR VERS.)	34	19797028/0	TERMOSTATO DEPOSITO	BIN THERMOSTAT
5	(x) 19865518/0	SCARICO DEPOSITO	DISCHARGE MACHINE	35	19797009/0	TERMOSTATO EVAPORATORE	EVAP. THERMOSTAT
6	25685312/0	GHIERA FIX SCARICO	BIN DRAIN	36	33580321/0	SCHEDELETT. TIMER	TIMER PC-BOARD
7	25685311/0	ISOLAM.PARATIA	INSULATION WALL	37	25725226/0	PULSANTE DI LAVAGGIO	ELECTRIC BOX
8	25360200/0	ASS. CONTENITORE EVAPOR.	EVAPOR. BIN ASSY	38	33400046/0	FASC.STRINGITUBO D8-16	WASHING PUSH BUTTON
9	25410195/0	DADO PLAST. 1/2" G	PLASTIC ICE BIN	39	19165885/0	TUBO CARICO ACQUA CONDENS. W	COMPRESSOR 230V/50HZ
10	81301081/0	GUARNIZIONE 20X32X2	SEAL 20X32X2	40	81301165/0	PRESSOSTATO	WATER CONDENSER ASSY
11	25135217/0	PORTAGOMMA CURVO	CURVED HOSE	41	19280153/0	FILTRO GAS	PIPE CLAMP D8-16
12	26103879/0	TAPPO SCARICO VASCHETTA	BIN CUP DRAIN	42	25781565/0	VALVOLA GAS CALDO	COND. WATER CHARGE PIPE
13	19350514/0	O-RING 11.8x8x1.9	O-RING 11.8x8x1.9	43	19550630/0	BOBINA VALVOLA GAS CALDO	PRESSURE SWITCH
14	19560231/0	PARATIA TENDINE EVAPOR.	EVAPORATOR CLOSER UPPER	44	19300804/0	TUBO INGR. SPRUZZATORE	GAS FILTER
15	25730503/0	TUBO PORTABULBO DEPOSITO	HOLDER PROBE STORAGE PIPE	45	19863033/0	CONDENSATORE ARIA	HOT GAS VALVE
16	41020448/0	TUBO SCARICO TROPPOPIENO	STORAGE DISCHARGE PIPE	46	19053102/0	MOTOVENTILATORE	HOT GAS COIL
17	25550285/0	TUBO SCARICO TROPPOPIENO	OVERFULL PIPE	47	25782027/0	PALA VENTILATORE	SPRAYER INLET PIPE
18	25647865/0	STRINGITUBO A MOLLA D20.6-21.6	CLAMP SPRING D20.6-21.6	48	(x) 19865548/0	TUBO INGR. SPRUZZATORE	DOUBLE WATER VALVE (Water cond)
19	25767048/0	ASS. EVAPORATORE	EVAPORATOR ASSY	49	19177110/0	FAN MOTOR	AIR CONDENSER
20	25782082/0	ALETTA SX PARASPRUZZI	LEFT SPLASH STOP FINI	50	18562579/0	FAN MOTOR BLADE	FAN MOTOR
21	25781548/0	ALETTA DX PARASPRUZZI	RIGHT SPLASH STOP FIN	51	18740028/0	LOCK PIPE WATER INLET EVAP.	SPRAYER INLET PIPE
22	19280714/0	UGELLO SPRUZZATORE	SPLASH STOP FIN	52	25782027/0	PIPE WATER INLET EVAP.	PIPE WATER INLET EVAP.
23	19281326/0	TAPPO PER SPRUZZATORE	SPRAYER CUP	53	25600012/0	PIPE 10X16 WRC	PIPE 10X16 WRC
24	81301014/0	TUBO SPRUZZATORE	SPRAYER NOZZLE	54	25600011/0	HYDRAULIC FITTING Y	HYDRAULIC FITTING Y
25	25040113/0			55	38778802/0		
26	25040112/0			56	(x) 19250009/0		
27	25040114/0						
28	25728002/0						
29	25799003/0						
30	25782060/0						

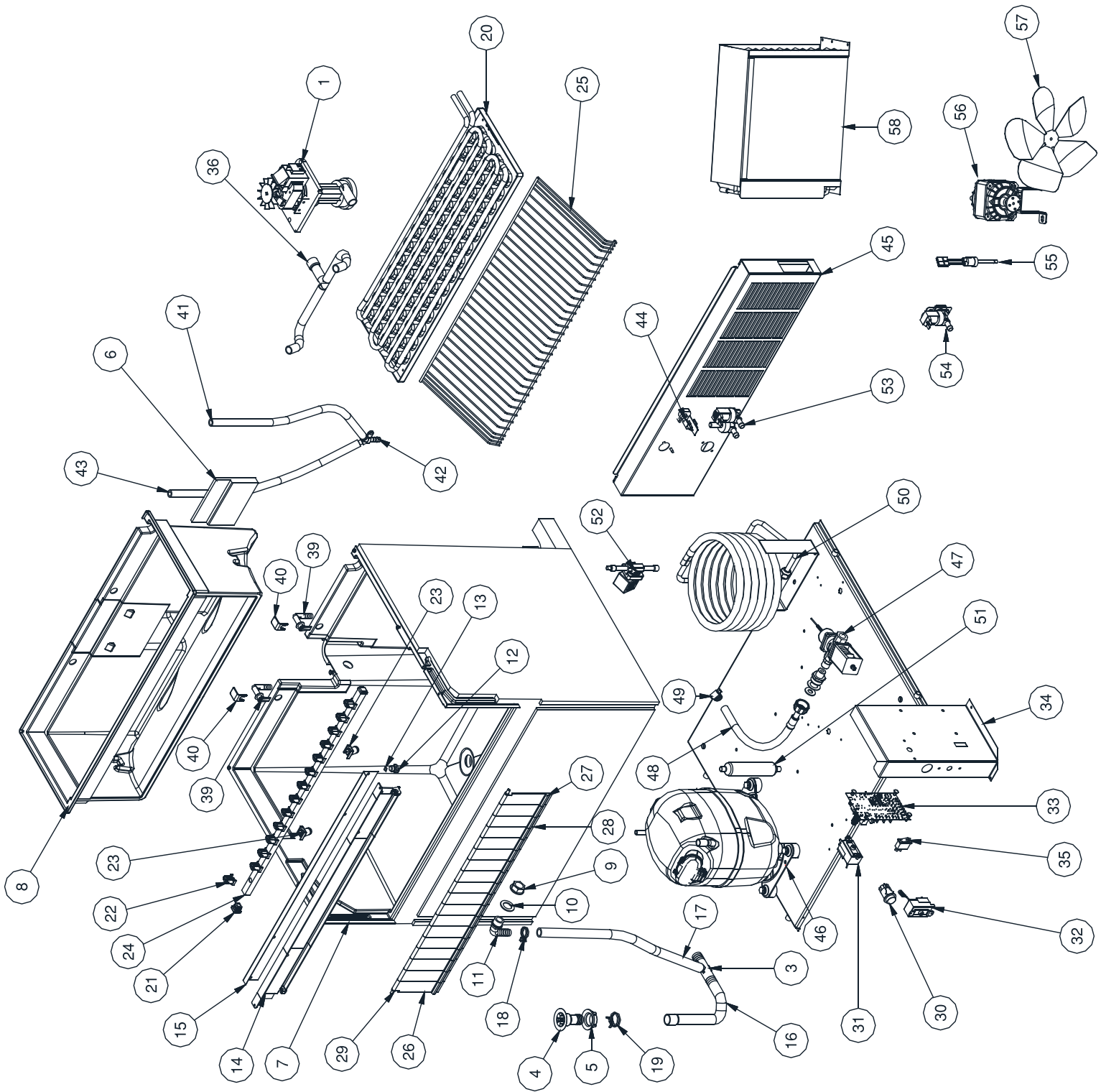
(x) Modifiche / Modifications



Pos.nr.	Codice/Code	Descrizione	Description
1	25767048/0	TUBO PORTABULBO DEPOSITO	HOLDER PROBE STORAGE PIPE
2	25330949/0	FIANCO SINISTRO	LEFT PANEL
3	25330948/0	FIANCO DESTRO	RIGHT PANEL
4	12727355/0	VITE ATCB 4.2X13	SCREW ATCB 4.2X13
5	25590000/0	CORNICE COMANDI	FRAME CONTROL
6	25610185/0	PRESA D'ARIA ANTERIORE	FRONT PANEL
7	25700077/0	SCHIENALE MACCHINA	BACK PANEL
8	25570707/0	PIEDINO D.50 H100-120MM	LEG D.50 H100-120MM
9	12901904/0	VITE TSP M4x35	SCREW TSP M4x35
10	81301073/0	ASS. COPERCHIO MACCHINA	COVER ASSY
11	25160595/0	COPERCHIO PLAST. EVAPOR.	EVAPOR. PLASTIC COVER
12	25560160/0	PERNO SCORRIMENTO PORTA	DOOR PIVOT
13	25474590/0	MOLLA PERNO PORTA	SPRING DOOR PIVOT
14	81301058/0	ASS. PORTA CS70-90	CS70-90 DOOR ASSY



Pos.nr.	Codice/Code	Descrizione	Description	Pos.nr.	Codice/Code	Descrizione	Description
1	81301041/0	ASS. POMPA 230V 50Hz	PUMP ASSY 230V 50Hz	31	19797026/0	TERMOSTATO DEPOSITO	BIN THERMOSTAT
3	25685312/0	SCARICO MACCHINA	DISCHARGE MACHINE	32	19797009/0	TERMOSTATO EVAPORATORE	EVAP. THERMOSTAT
4	25685311/0	SCARICO DEPOSITO	BIN DRAIN	33	33580321/0	SCHEDELETTRE, TIMER	TIMER PC-BOARD
5	25360200/0	GHIERA FIX SCARICO	MOUNTING DISCHARGE RING	34	25725224/0	SCATOLA COMP. ELETTICI	ELECTRIC BOX
6	25410195/0	ISOLAM.PARATIA	INSULATION WALL	35	33400046/0	PULSANTE DI LAVAGGIO	WASHING PUSH BUTTON
7	25135219/0	CONTENITORE PLAST. GHIACCIO	PLASTIC ICE BIN	36	81301168/0	ASS.TUBO POMPA-SPRUZZ. EVAP.	EVAP-PUMP PIPE ASSY
8	81301089/0	ASS. CONTENITORE EVAPOR.	EVAPOR. BIN ASSY	39	25600011/0	TUBO ENTRATA ACQUA EVAPOR.	PIPE WATER INLET EVAP.
9	26103879/0	DADO PLAST. 1/2"G	PLASTIC NUT. 1/2"G	40	25600012/0	FERMO TUBO INGR. ACQUA EVAPOR.	LOCK PIPE WATER INLET EVAP.
10	19350514/0	GUARNIZIONE 20X32X2	SEAL 20X32X2	41 43	38778802/0	TUBO 10X16 WRC	PIPE 10X16 WRC
11	19560231/0	PORTAGOMMA CURVO	CURVED HOSE	42	19250009/0	RACC.DERIV. 3VIE Y D.10	HYDRAULIC FITTING Y
12	25730503/0	TAPPO SCARICO VASCHELLA	BIN CUP DRAIN	44	81300024/0	ASS. INGRESSO ALIMENTAZIONE	ELECTRIC SUPPLY ASSY
13	41020448/0	O-RING 11.8x8x1.9	O-RING 11.8x8x1.9	45	25725225/0	SUPP. ATTACCHI IDRICI/ELETTTR.	WATER/ELECTRIC SUPPLY PANEL
14	25550286/0	PARATIA TENDINE EVAPOR.	EVAPORATOR CLOSER UPPER	46	19165883/0	COMPRESSORE 230V/50HZ	COMPRESSOR 230V/50HZ
15	25647866/0	PARATIA + RINF. SUPP. TEND.	EVAPORATOR REINF. CLOSER UPPER	47	19865611/0	VALV. PRESSOSTATICA 3/8"	PRESSOSTATIC VALVE 3/8"
16	25782059/0	TUBO SCARICO DEPOSITO	STORAGE DISCHARGE PIPE	48	19820003/0	TUBO CARICO ACQUA CONDENS. W	COND. WATER CHARGE PIPE
17	25781567/0	TUBO SCARICO TROPPOPIENO	OVERFULL PIPE	49	19280153/0	FASC.STRINGITUBO D8-16	PIPE CLAMP D8-16
18	19280714/0	STRINGITUBO A MOLLA D20.6-21.6	CLAMP SPRING D20.6-21.6	50	81301165/0	CONDENSATORE AD ACQUA	WATER CONDENSATORE
19	19281326/0	STRINGITUBO A MOLLA D28.1-26.7	CLAMP SPRING D28.1-26.7	51	19301215/0	FILTRO GAS	GAS FILTER
20	81301018/0	ASS. EVAPORATORE	EVAPORATOR ASSY	52	19863036/0	VALVOLA GAS CALDO	HOT GAS VALVE
21	25728002/0	TAPPO PER SPRUZZATORE	SPRAYER CUP	53	19865547/0	DOPPIA VALV.ENT.ACQUA (cond W)	DOUBLE WATER VALVE (Water cond)
22	25799003/0	UGELLO SPRUZZATORE	SPRAYER NOZZLE	54	19865546/0	VALV.ENT.ACQUA (vers. aria)	WATER VALVE (Air vers.)
23	25782027/0	TUBO INGR. SPRUZZATORE	SPRAYER INLET PIPE	55	19550630/0	PRESSOSTATO	PRESSURE SWITCH
24	257820610/0	TUBO SPRUZZATORE	SPRAYER PIPE	56	18562531/0	MOTOVENTILATORE	FAN MOTOR
25	25700413/0	SCIVOLO CUBETTI GHIACCIO	ICE CUBE CHUTE	57	18740024/0	PALA VENTILATORE	FAN MOTOR BLADE
26	25040113/0	ALETTA SX PARASPRUZZI	LEFT SPLASH STOP FINI	58	19177124/0	CONDENSATORE ARIA	AIR CONDENSER
27	25040112/0	ALETTA DX PARASPRUZZI	RIGHT SPLASH STOP FIN				
28	25040114/0	ALETTA PARASPRUZZI	SPLASH STOP FIN				
29	81301040/0	ASS. ALETTE PARASPR.	SPLASH STOP FIN ASSY				
30	33400059/0	INTERRUTTORE ON/OFF	ON-OFF SWITCH				



Pos.nr.	Codice/Code	Descrizione	Description	Pos.nr.	Codice/Code	Descrizione	Description
1	81301041/0	ASS. POMPA 230V 50HZ	PUMP ASSY 230V 50HZ	31	19797026/0	TERMOSTATO DEPOSITO	BIN THERMOSTAT
3	25685312/0	SCARICO MACCHINA	DISCHARGE MACHINE	32	19797009/0	TERMOSTATO EVAPORATORE	EVAP. THERMOSTAT
4	25685311/0	SCARICO DEPOSITO	BIN DRAIN	33	33580321/0	SCHEDELETTA	TIMER PC-BOARD
5	25360200/0	GHIERA FIX SCARICO	MOUNTING DISCHARGE RING	34	25725224/0	SCATOLA COMP. ELETTRICI	ELECTRIC BOX
6	25410195/0	ISOLAM.PARATIA	INSULATION WALL	35	33400046/0	PULSANTE DI LAVAGGIO	WASHING PUSH BUTTON
7	25135219/0	CONTENITORE PLAST. GHIACCIO	PLASTIC ICE BIN	36	81301168/0	ASS.TUBO POMPA-SPRUZZ. EVAP.	EVAP-PUMP PIPE ASSY
8	81301089/0	ASS. CONTENITORE EVAPOR.	EVAPOR. BIN ASSY	39	25600011/0	TUBO ENTRATA ACQUA EVAPOR.	PIPE WATER INLET EVAP.
9	26103879/0	DADO PLAST. 1/2"G	PLASTIC NUT. 1/2"G	40	25600012/0	FERMO TUBO INGR. ACQUA EVAPOR.	LOCK PIPE WATER INLET EVAP.
10	19350514/0	GUARNIZIONE 20X32X2	SEAL 20X32X2	41 43	38778802/0	TUBO 10X16 WRC	PIPE 10X16 WRC
11	19560231/0	PORTAGOMMA CURVO	CURVED HOSE	42	19250009/0	RACC.DERIV. 3VIE Y D.10	HYDRAULIC FITTING Y
12	25730503/0	TAPPO SCARICO VASCHETTA	BIN CUP DRAIN	44	81300024/0	ASS.INGRESSO ALIMENTAZIONE	ELECTRIC SUPPLY ASSY
13	41020448/0	O-RING 11.8x8x1.9	O-RING 11.8x8x1.9	45	25725225/0	SUPP. ATTACCHI IDRICI/ELETTTR.	WATER/ELECTRIC SUPPLY PANEL
14	25550286/0	PARATIA TENDINE EVAPOR.	EVAPORATOR CLOSER UPPER	46	19165569/0	COMPRESSORE 230V/50HZ	COMPRESSOR 230V/50HZ
15	25647866/0	PARATIA + RINF. SUPP. TEND.	EVAPORATOR REINF. CLOSER UPPER	47	19865611/0	VALV. PRESSOSTATICA 3/8"	PRESSOSTATIC VALVE 3/8"
16	25782059/0	TUBO SCARICO DEPOSITO	STORAGE DISCHARGE PIPE	48	19820003/0	TUBO CARICO ACQUA CONDENS. W	COND. WATER CHARGE PIPE
17	25781567/0	TUBO SCARICO TROPPOPIENO	OVERFULL PIPE	49	19280153/0	FASC.STRINGITUBO D8-16	PIPE CLAMP D8-16
18	19280714/0	STRINGITUBO A MOLLA D20.6-21.6	CLAMP SPRING D20.6-21.6	50	81301165/0	CONDENSATORE AD ACQUA	WATER CONDENSATORE
19	19281326/0	STRINGITUBO A MOLLA D28.1-26.7	CLAMP SPRING D28.1-26.7	51	19301215/0	FILTRO GAS	GAS FILTER
20	81301018/0	ASS. EVAPORATORE	EVAPORATOR ASSY	52	19863036/0	VALVOLA GAS CALDO	HOT GAS VALVE
21	25728002/0	TAPPO PER SPRUZZATORE	SPRAYER CUP	53	19865547/0	DOPPIA VALV.ENT.ACQUA (cond W)	DOUBLE WATER VALVE (Water cond)
22	25799003/0	UGELLO SPRUZZATORE	SPRAYER NOZZLE	54	19865546/0	VALV.ENT.ACQUA (vers. aria)	WATER VALVE (Air vers.)
23	25782027/0	TUBO INGR. SPRUZZATORE	SPRAYER INLET PIPE	55	19550630/0	PRESSOSTATO	PRESSURE SWITCH
24	25782061/0	TUBO SPRUZZATORE	SPRAYER PIPE	56	18562580/0	MOTOVENTILATORE	FAN MOTOR
25	25700413/0	SCIVOLO CUBETTI GHIACCIO	ICE CUBE CHUTE	57	18740034/0	PALA VENTILATORE	FAN MOTOR BLADE
26	25040113/0	ALETTA SX PARASPRUZZI	LEFT SPLASH STOP FINI	58	19177111/0	CONDENSATORE ARIA	AIR CONDENSER
27	25040112/0	ALETTA DX PARASPRUZZI	RIGHT SPLASH STOP FINI				
28	25040114/0	ALETTA PARASPRUZZI	SPLASH STOP FINI				
29	81301040/0	ASS. ALETTE PARASPR.	SPLASH STOP FIN ASSY				
30	33400059/0	INTERRUTTORE ON/OFF	ON-OFF SWITCH				

