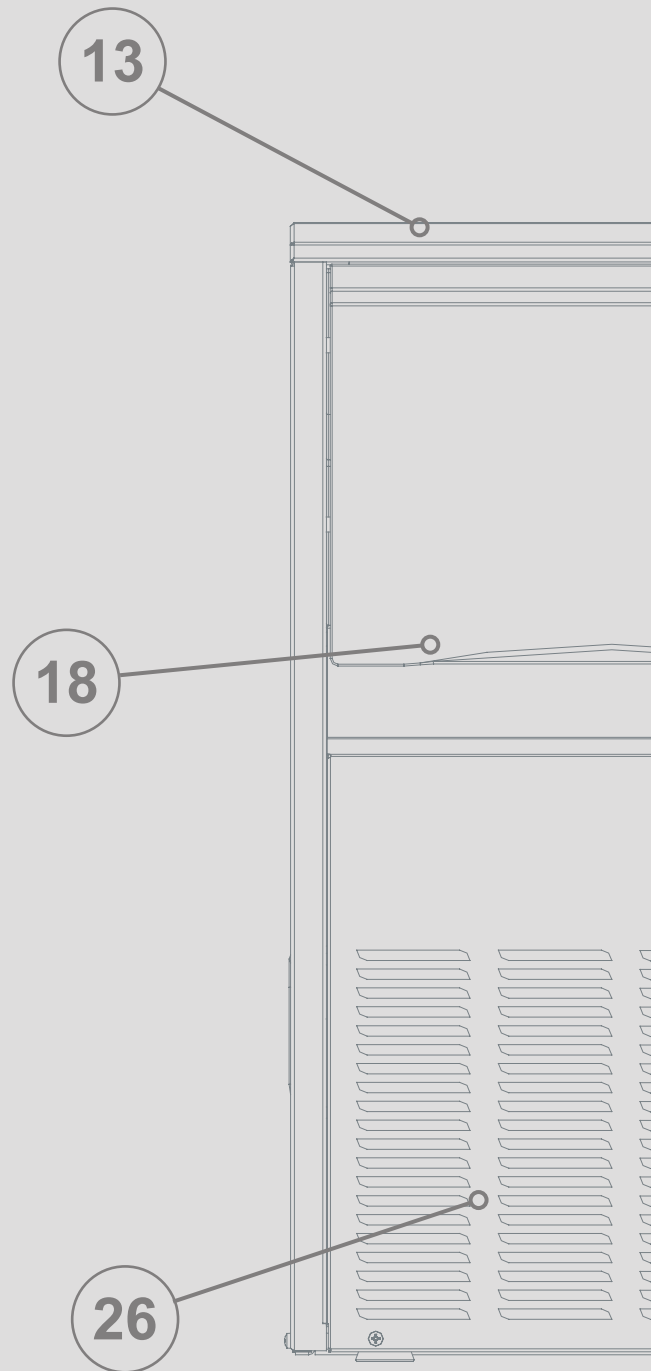


20 / 25 / 35 / 40 / 50 / 70 / 90

Produttori di ghiaccio a spruzzo - Spray Ice Makers

IT / EN



HOW TO ORDER SPARE PARTS

In order to avoid expensive delays or mistakes by delivery , when you order spare parts, be sure to have indicated the right code - number, the complete description you can find on the list and the quantity for each requested part. Please also include the name of the model for wich the spare parts are requested and its own serial number (fig. A)

COME ORDINARE LE PARTI DI RICAMBIO

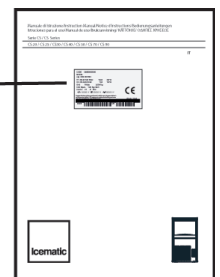
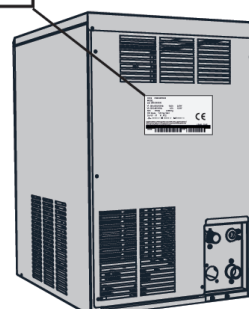
Al fine di evitare costosi ritardi od errori nella spedizione, quando ordinate le parti di ricambio, accertatevi di indicare il numero di codice, la descrizione completa che trovate sull'elenco e la quantità per ogni parte di ricambio richiesta. Includere inoltre il nome del modello per cui sono richieste le parti di ricambio ed il suo numero di serie (fig. A).

COMMENT COMMANDER LES PIÈCES DETACHEÉS

Pour éviter des retards coûteux ou des erreurs dans la livraison, au moment de commander les pièces detachées nous vous prions de bien vouloir vous assurer d'avoir indiqué la référence, la description complète que vous trouvez dans la liste et la quantité pour chaque pièce detachée demandée. Inclure en outre le nom du modèle pour lequel les pièces sont demandées et le numero de série (fig. A).

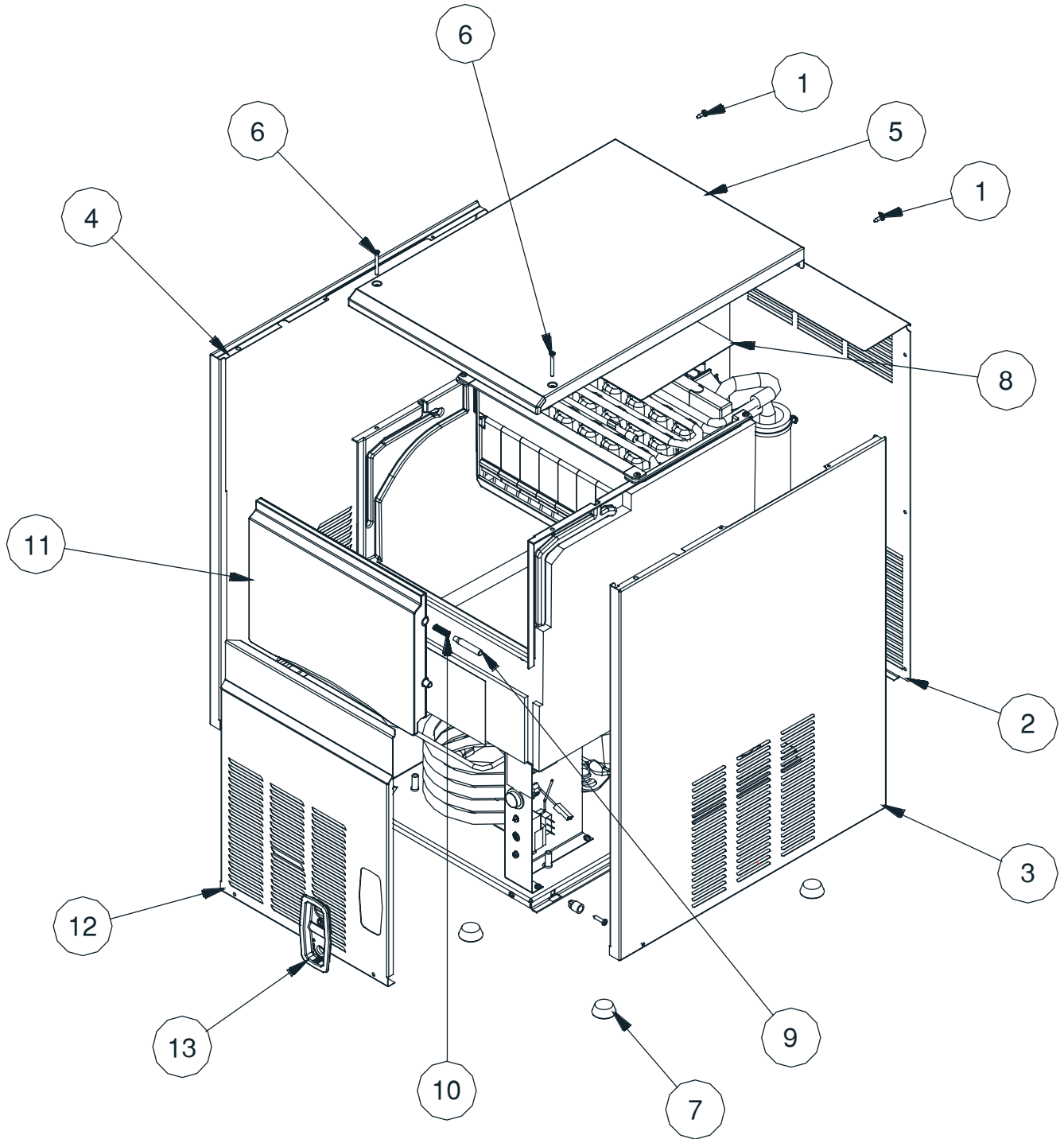
WIE DIE ERSATZTEILE BESTELLT WERDEN SOLLEN

Um Fehl-b.z.w. verspätete Lieferungen zu vermeiden, geben Sie bei den Ersatzteilbestellungen die Kodenummer an. Volle Beschreibung wie in Katalog ersichtlich und Menge für sämtliche bestellte Ersatzteile sollten ebenfalls angegeben werden. Schließlich die bestellten Ersatzteile entsprechende Seriennummer hinweisen (fig. A).

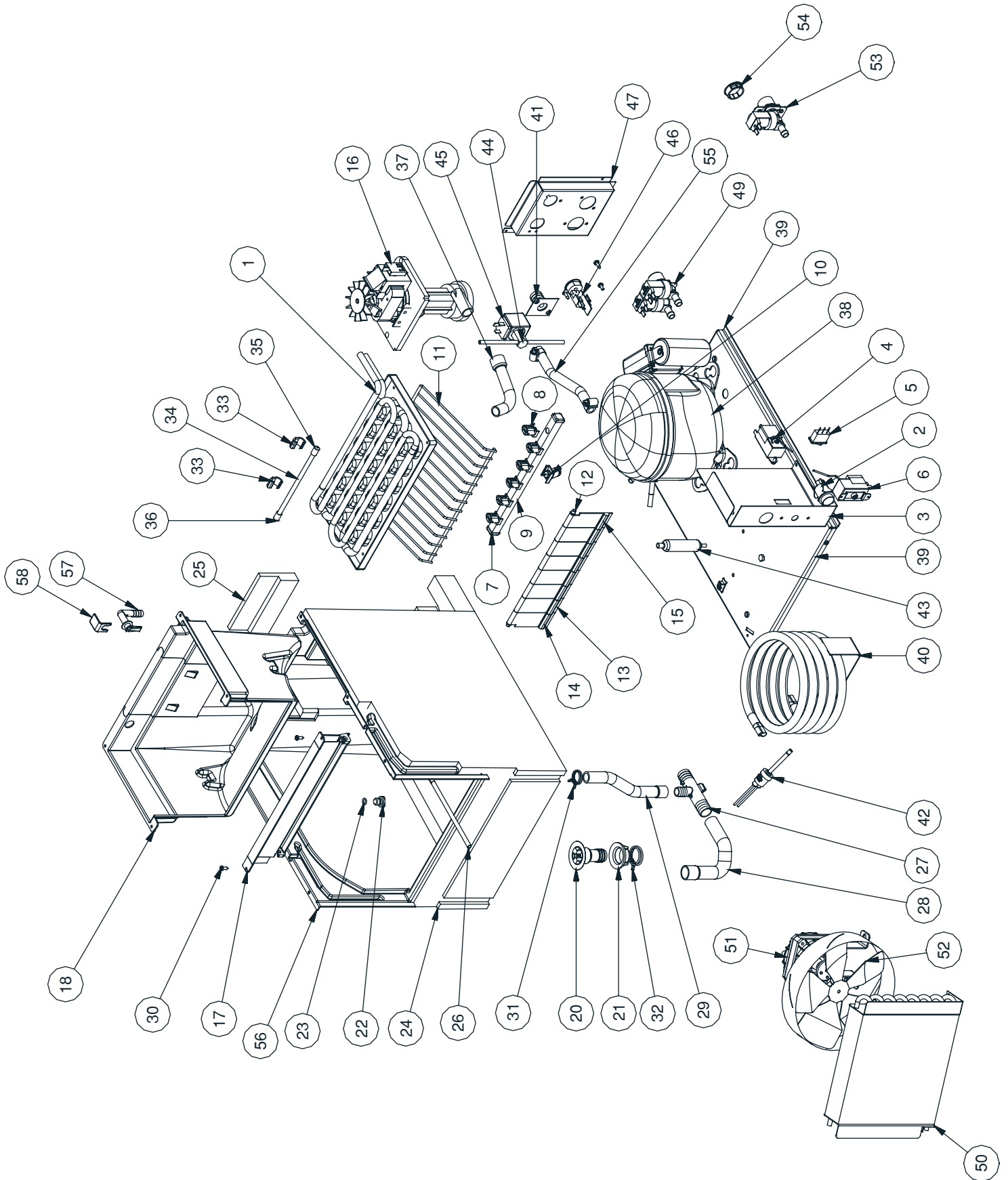


User Manual

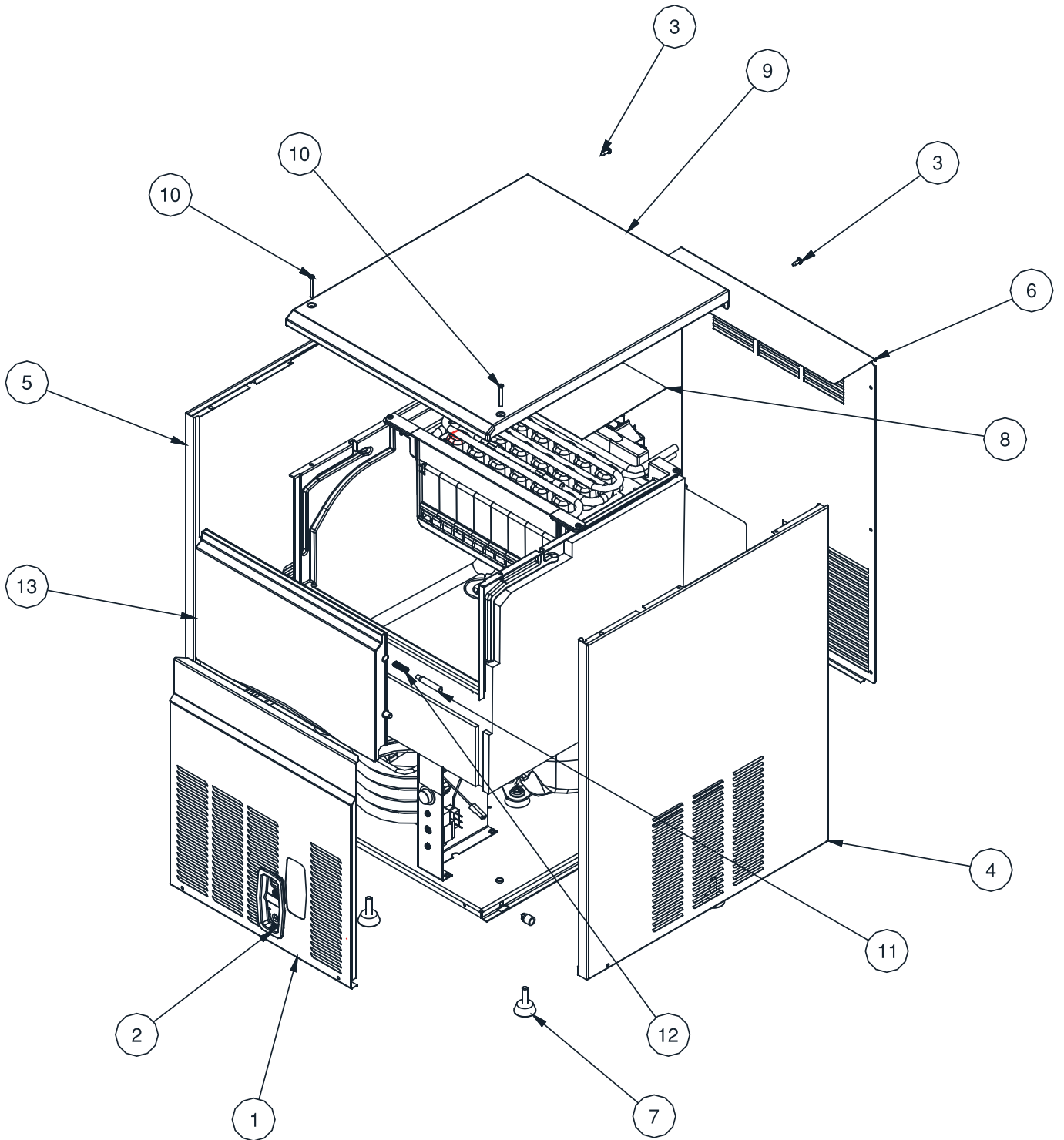
(fig. A)



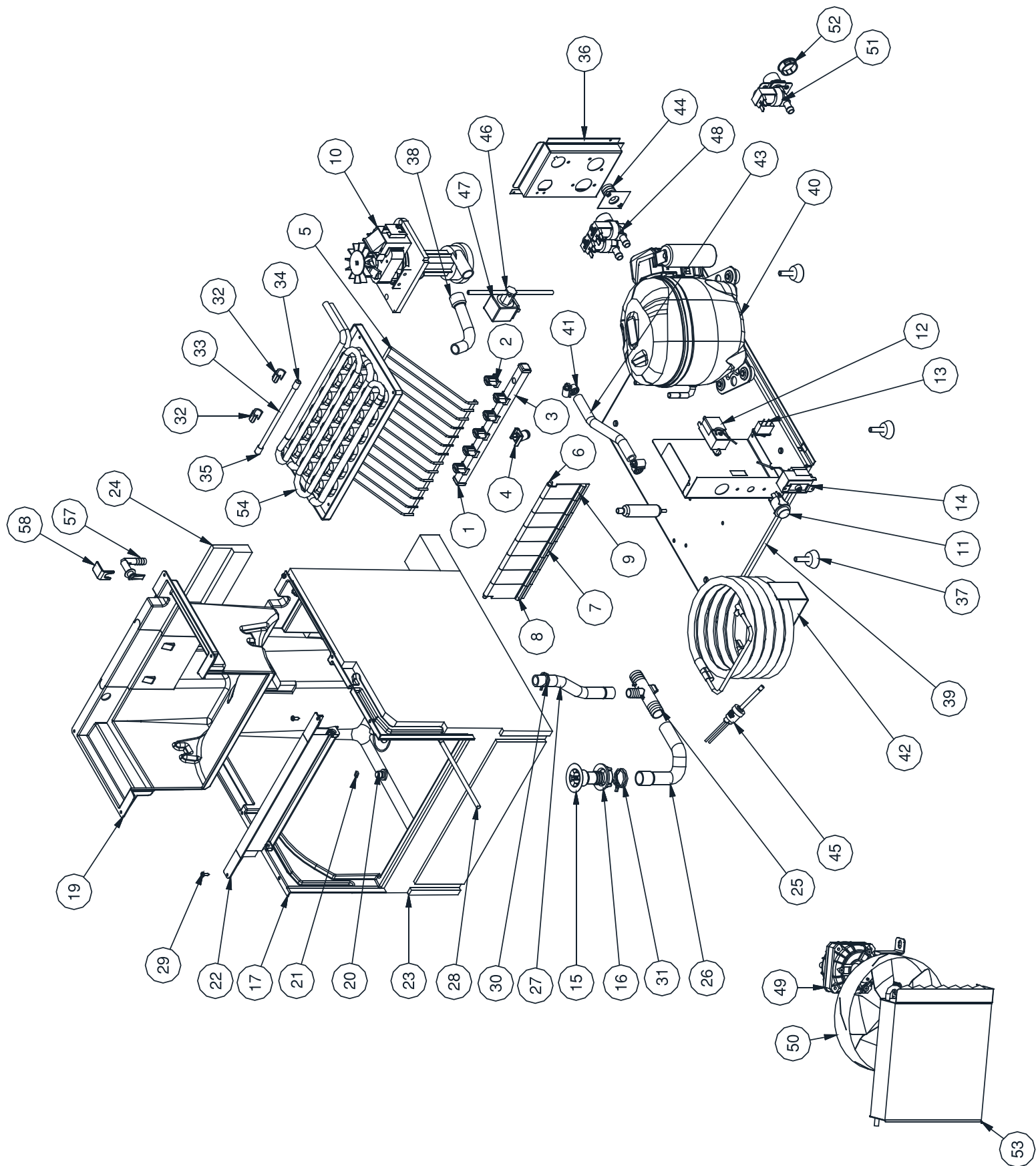
Pos.nr.	Codice/Code	Descrizione	Description
1	12727355/0	VITE ATCB 4.2X13	SCREW ATCB 4.2X13
2	25700070/0	PANNELLO POSTERIORE	BACK PANEL
3	25330942/0	FIANCO DESTRO	RIGHT PANEL
4	25330943/0	FIANCO SINISTRO	LEFT PANEL
5	81301068/0	ASS. COPERCHIO	COVER ASSY
6	12901904/0	VITE TSP M4x35	SCREW TSP M4x35
7	81502119/0	ASS. PIEDINO	LITTLE LEG ASSY
8	25160591/0	COPERCHIO PLAST. EVAPOR.	EVAP. PLASTIC COVER
9	25560160/0	PERNO SCORRIMENTO PORTA	DOOR PIVOT
10	25474590/0	MOLLA PERNO PORTA	SPRING DOOR PIVOT
11	81301055/0	ASS. PORTA	DOOR ASSY
12	25610180/0	PRESA D'ARIA ANTERIORE	FRONT PANEL
13	25590000/0	CORNICE COMANDI	FRAME CONTROL



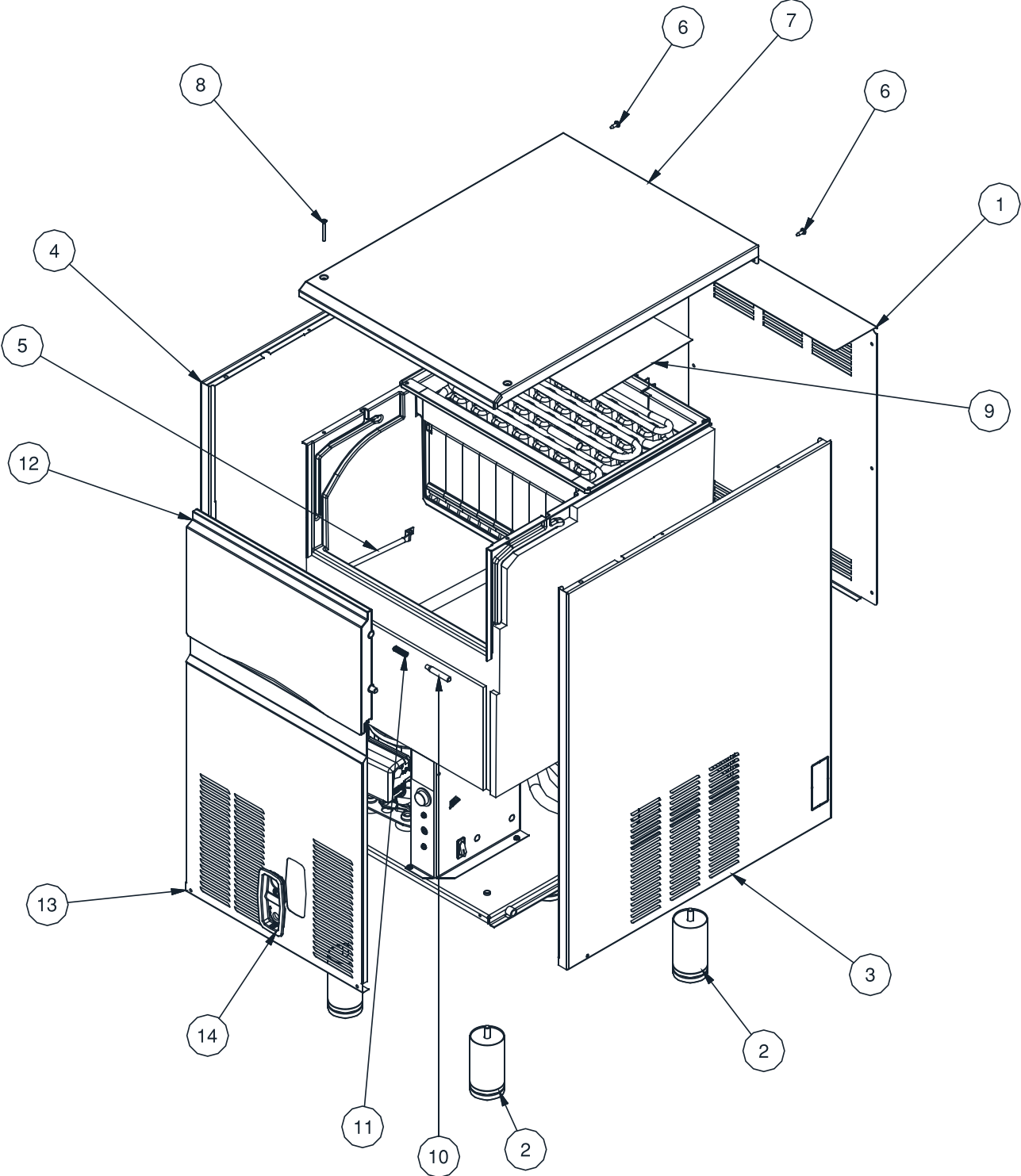
Pos.nr.	Codice/Code	Descrizione	Description	Pos.nr.	Codice/Code	Descrizione	Description
1	81301002/0	ASS. EVAPORATORE	EVAPORATOR ASSY	29	25782038/0	TUBO SCAR. TROPPOPIENO	OVERFULL PIPE.
2	33400059/0	INTERRUTTORE ON-OFF	ON-OFF SWITCH	30	12727813/0	VITE ATCB 4.2X13 IX	SCREW ATCB 4.2X13 IX
3	25725220/0	SCATOLA ELETTRICA	ELECTRIC BOX	31	19281337/0	STRINGITUBO A MOLLA D19.6	CLAMP SPRING D19.6
4	19797026/0	TERMOSTATO DEPOSITO	BIN THERMOSTAT	32	19281326/0	STRINGITUBO A MOLLA D28	CLAMP SPRING D28
5	33400049/0	INTERRUTTORE LAVAGGIO	WASHING SWITCH	33	25325904/0	FERMO PORTABULBO EVAP.	BULB HOLDER EVAP.
6	19797043/0	TERMOSTATO EVAPORATORE	EVAPORATOR THERMOSTAT	34	19800190/0	TUBO PORTABULBO EVAP. CS20-25	BULB HOLDER PIPE EVAP. CS20-25
7	25728002/0	TAPPO PER SPRUZZATORE	SPRAYER CAP	35	25767043/0	TAPPO C/FORO TUBO PORTABULBO	CAP EVAP WITH HOLE
8	25799003/0	UGELLO SPRUZZATORE	SPRAYER NOZZLE	36	25767044/0	TAPPO S/FORO TUBO PORTABULBO	CAP EVAP WITHOUT HOLE
9	25782032/0	TUBO SPRUZZATORE	SPRAYER PIPE	37	25782028/0	TUBO POMPA-SPRUZZ. EVAP.	SPRINKLER-PUMP PIPE.
10	25782027/0	TUBO INGR. SPRUZZATORE	SPRAYER INLET PIPE	38	19165851/0	COMPRESSORE 230V/50HZ	COMPRESSOR 230V/50HZ
11	25700410/0	SCIVOLO CUBETTI GHIACCIO	ICE CUBE CHUTE	39	19165655/0	COMPRESSORE 220V/60HZ	COMPRESSOR 220V/60HZ
12	25782034/0	PERNO SUPPORTO ALETTE	SUPPORT WING PIVOT	40	25114036/0	BASAMENTO	BASEMENT
13	25040111/0	ALETTA PARASPRUZZI	SPLASH STOP FIN	41	25631032/0	STAFFA SUPP. CONDENSATORE ACQUA	WATER CONDENSER BRACKET
14	25040110/0	ALETTA SX PARASPRUZZI	LEFT SPLASH STOP FIN	42	19550630/0	RACCORDO SCARICO ACQUA	WATER DRAIN JUNCTION
15	25040109/0	ALETTA DX PARASPRUZZI	RIGHT SPLASH STOP FIN	43	19300802/0	PRESSOSTATO	PRESSURE SWITCH
16	81301041/0	ASS. POMPA ACQUA 230V/50HZ	WATER PUMP ASSY 230V/50HZ	44	19863045/0	FILTRO GAS	GAS FILTER
17	81301220/0	ASS. POMPA ACQUA 220V/60HZ	WATER PUMP ASSY 220V/60HZ	45	19053102/0	VALVOLA GAS CALDO	HOT GAS VALVE
18	25550281/0	PARATIA TENDINE EVAPOR.	EVAPORATOR CLOSER UPPER	46	81300024/0	BOBINA VALVOLA GAS CALDO	HOT GAS VALVE COIL
19	81301001/0	ASS. CONTEN. EVAPOR.	EVAPORATOR BIN ASSY	47	25725639/0	ASS.CAVO ALIMENTAZIONE	POWER CABLE
20	25685311/0	SCARICO DEPOSITO	BIN DRAIN	49	19865543/0	SUPP.ATTACCHI IDR./ELETR. A/W	WATER/ELECTRIC INPUT PANEL
21	25360200/0	GHIERA SCARICO	NUT DRAIN	50	19177125/0	VALV.ENT.ACQUA 220-240/50 (ACQUA)	WATER INLET VALVE (WATER)
22	25730503/0	TAPPO SCARICO VASCHETTA	BIN CAP DRAIN	51	18562547/0	CONDENSATORE ARIA	AIR CONDENSER
23	41020448/0	GUARN. O-RING 11.8x8x1.9	O-RING 11.8x8x1.9	52	18740023/0	MOTOVENTILATORE	FAN MOTOR
24	81301047/0	DEPOSITO ISOLATO	INSULATED BIN	53	19865544/0	PALA VENTIL. 200X31°	FAN BLADE
25	25410199/0	ISOLAM.PARATIA	INSULATION WALL	54	19690414/0	VALV. ENTRATA ACQUA (ARIA)	WATER INLET VALVE (AIR)
26	25767049/0	TUBO PORTABULBO DEP. GHIAC.	BULB HOLDER PIPE BIN	55	25782076/0	TAPPO	CAP
27	25685312/0	SCARICO MACCHINA	DISCHARGE MACHINE	56	25135209/0	TUBO CARICO ACQUA	CHARGE WATER PIPE
28	25782026/0	TUBO SCARICO DEPOSITO	STORAGE DISCHARGE PIPE	57	25600011/0	CONTENTORE GHIACCIO PLAST.	ICE PLASTIC BIN
				58	25600012/0	TUBO ENTRATA ACQUA EVAPOR.	PIPE WATER INLET EVAP.
						FERMO TUBO INGR. ACQUA EVAPOR.	LOCK PIPE WATER INLET EVAP.



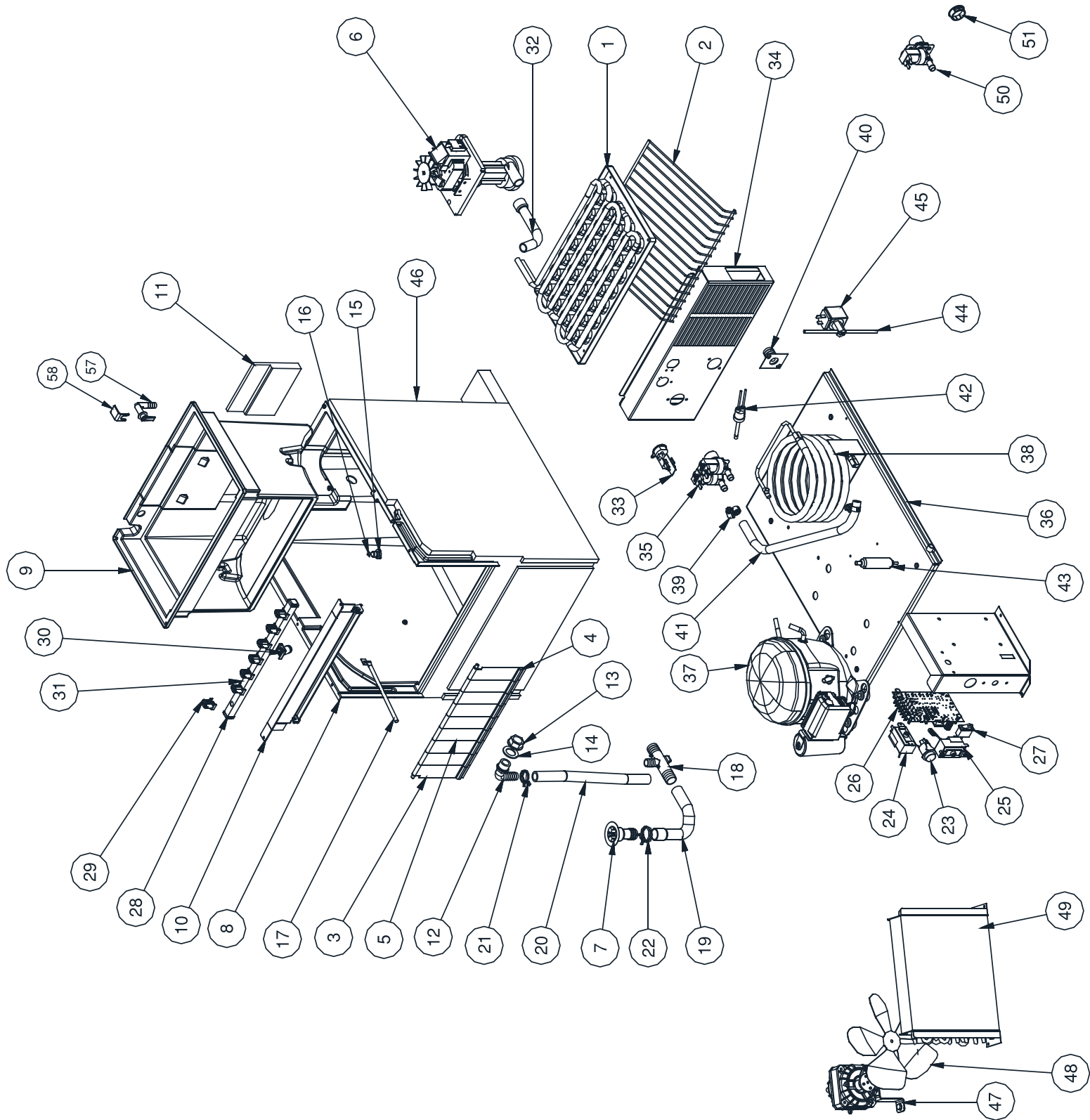
Pos.nr.	Codice/Code	Descrizione	Description
1	25610181/0	PRESA D'ARIA ANTERIORE	FRONT PANEL
2	25590000/0	CORNICE COMANDI	FRAME CONTROL
3	12727355/0	VITE ATCB 4.2X13	SCREW ATCB 4.2X13
4	25330942/0	FIANCO DESTRO	RIGHT PANEL
5	25330943/0	FIANCO SINISTRO	LEFT PANEL
6	25700071/0	SCHIENALE MACCHINA	BACK PANEL
7	81502119/0	ASS. PIEDINO 12 mm DIAM. 31	LITTLE LEG 12 mm ASSY
8	25160592/0	COPERCHIO PLAST. EVAPOR.	EVAP. PLASTIC COVER
9	81301069/0	ASS. COPERCHIO	COVER ASSY
10	12901904/0	VITE TSP M4x35	SCREW TSP M4x35
11	25560160/0	PERNO SCORRIMENTO PORTA	DOOR PIVOT
12	25474590/0	MOLLA PERNO PORTA	SPRING DOOR PIVOT
13	81301056/0	ASS. PORTA CS25	CS25 DOOR ASSY



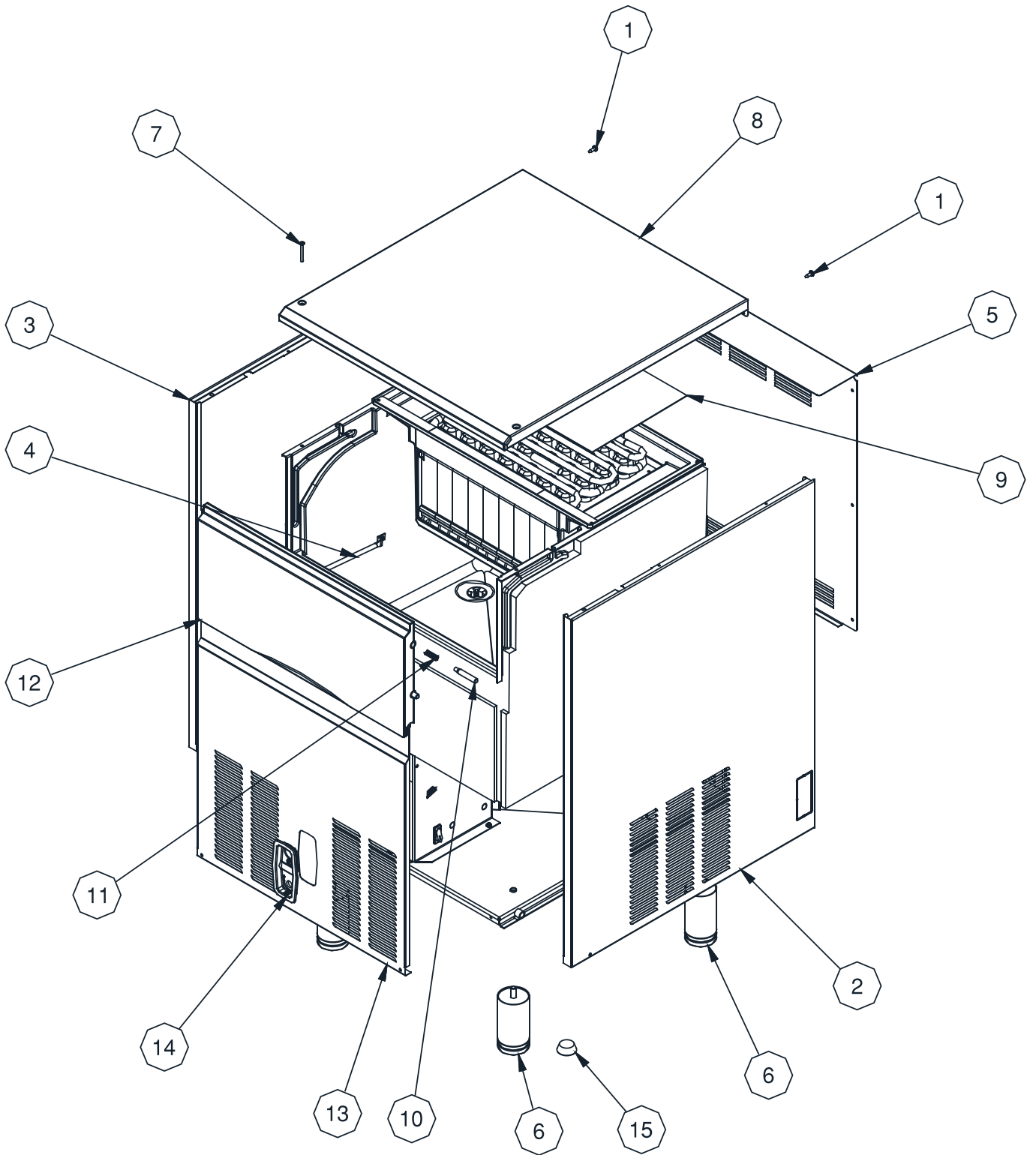
Pos.nr.	Codice/Code	Descrizione	Description	Pos.nr.	Codice/Code	Descrizione	Description
1	25728002/0	TAPPO PER SPRUZZATORE	SPRAYER CUP	31	19281326/0	STRINGITUBO A MOLLA D28.1-26.7	CLUMP SPRING D28.1-26.7
2	25799003/0	UGELLO SPRUZZATORE	SPRAYER NOZZLE	32	25325904/0	FERMO PORTABULBO EVAP.	BULB HOLDER EVAP.
3	25782032/0	TUBO SPRUZZATORE	SPRAYER PIPE	33	19800190/0	TUBO PORTABULBO EVAP. CS20-25	BULB HOLDER PIPE EVAP. CS20-25
4	25782027/0	TUBO INGR. SPRUZZATORE	SPRAYER INLET PIPE	34	25767043/0	TAPPO C/FORO TUBO PORTABULBO	CAP EVAP WITH HOLE
5	25700410/0	SCIVOLO CUBETTI GHIACCIO	ICE CUBE CHUTE	35	25767044/0	TAPPO S/FORO TUBO PORTABULBO	CAP EVAP WITHOUT HOLE
6	25782034/0	PERNO SUPP. ALETTE PARASPR.	SUPPORT WINGS PIVOT	36	25725639/0	SUPP.ATTACCHI IDR./ELETTR. A/W	WATER/ELECTRIC INPUT PANEL
7	25040111/0	ALETTA PARASPRUZZI	SPLASH STOP FIN	37	81502119/0	ASS. PIEDINO	LITTLE LEG ASSY
8	25040110/0	ALETTA SX PARASPRUZZI	LEFT SPLASH STOP FIN	38	25782028/0	TUBO POMPA-SPRUZZ. EVAP.	SPRINKLER-PUMP PIPE
9	25040109/0	ALETTA DX PARASPRUZZI	RIGHT SPLASH STOP FIN	39	25114037/0	BASAMENTO	BASEMENT
10	81301041/0	ASS. POMPA 230V 50HZ	WATER PUMP ASSY 230V 50HZ	40	19165548/0	COMPRESSORE 230V/50HZ	COMPRESSOR 230V/50HZ
11	81301220/0	ASS. POMPA 230V 60HZ	WATER PUMP ASSY 230V 60HZ	41	19165555/0	COMPRESSORE 230V/60HZ	COMPRESSOR 230V/60HZ
12	33400059/0	INTERRUTTORE ON-OFF	ON-OFF SWITCH	42	19280153/0	FASC.STRINGITUBO L= 9MM D8-16	CLAMP PIPE L= 9MM D8-16
13	19797026/0	TERMOSTATO DEPOSITO	BIN THERMOSTAT	43	81301102/0	CONDENSATORE ACQUA	WATER CONDENSER
14	33400049/0	INTERRUTTORE LAVAGGIO	WASHING SWITCH	44	25782076/0	TUBO CARICO ACQUA COND.	COND. WATER CHARGE PIPE
15	19797043/0	TERMOSTATO EVAPORATORE	EVAPORATOR THERMOSTAT	45	25631032/0	RACCORDO SCARICO ACQUA	WATER DRAIN JUNCTION
16	25685311/0	SCARICO DEPOSITO	BIN DRAIN	46	19550630/0	PRESSOSTATO	PRESSURE SWITCH
17	25360200/0	GHIERA SCARICO	NUT DRAIN	47	19863045/0	VALVOLA GAS CALDO	HOT GAS VALVE
18	25135211/0	CONTENITORE GHIACCIO PLAST.	ICE PLASTIC BIN	48	19053102/0	BOBINA VALVOLA GAS CALDO	HOT GAS VALVE COIL
19	81301106/0	ASS. CONTENITORE EVAPOR.	EVAPORATOR BIN ASSY	49	19865543/0	VALV.ENT.ACQUA COND. ACQUA	WATER VALVE - WATER CONDENS.
20	25730503/0	TAPPO SCARICO VASCHETTA	BIN CUP DRAIN	50	18562547/0	MOTOVENTILATORE	FAN MOTOR
21	41020448/0	GUARN. O-RING 11.8x8x1.9	O-RING 11.8x8x1.9	51	18740023/0	PALA VENTILATORE	FAN MOTOR BLADE
22	25550282/0	PARATIA TENDINE EVAPOR.	EVAPORATOR CLOSER UPPER	52	19865544/0	VALVOLA ACQUA (VERS. ARIA)	WATER VALVE (AIR VERS.)
23	81301048/0	DEPOSITO ISOLATO	INSULATED BIN	53	19177135/0	TAPPO	CAP
24	25410199/0	ISOLAMENTO PARATIA	INSULATION WALL	54	81301002/0	CONDENSATORE AD ARIA	AIR CONDENSER
25	25685312/0	SCARICO MACCHINA	DISCHARGE MACHINE	55	25600011/0	ASS. EVAPORATORE	EVAPORATOR ASSY
26	25782026/0	TUBO SCARICO DEPOSITO	STORAGE DISCHARGE PIPE.	57	25600011/0	TUBO ENTRATA ACQUA EVAPOR.	PIPE WATER INLET EVAP.
27	25782038/0	TUBO SCAR. TROPPOPIENO.	OVERFULL PIPE	58	25600012/0	FERMO TUBO INGR. ACQUA EVAPOR.	LOCK PIPE WATER INLET EVAP.
28	25767049/0	TUBO PORTABULBO DEP. GHIACCIO	BULB HOLDER PIPE STORAGE BIN				
29	12727813/0	VITE ATCB 4.2X13	SCREW ATCB 4.2X13				
30	19281337/0	STRINGITUBO A MOLLA D19.6-20.6	CLAMP SPRING D19.6-20.6				



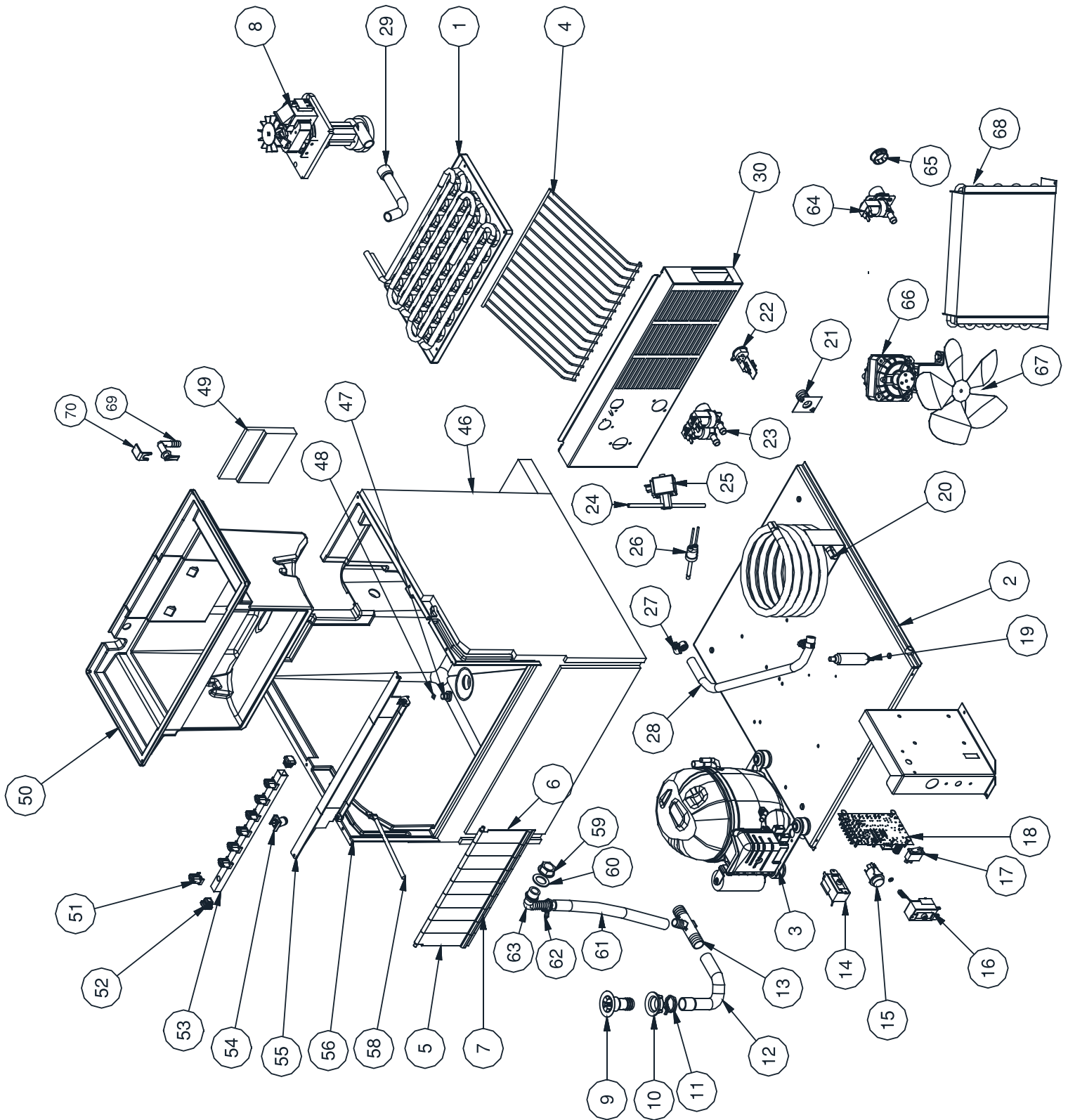
Pos.nr.	Codice/Code	Descrizione	Description
1	25700072/0	SCHIENALE MACCHINA	BACK PANEL
2	25570708/0	ASS. PIEDINO Ø50 H100-120	LEG ASSY Ø50 H100-120
3	25330944/0	FIANCO DESTRO	RIGHT PANEL
4	25330945/0	FIANCO SINISTRO	LEFT PANEL
5	25767049/0	TUBO PORTABULBO DEPOSITO	HOLDER PROBE STORAGE PIPE
6	12727355/0	VITE ATCB 4.2X13	SCREW ATCB 4.2X13
7	81301070/0	ASS. COPERCHIO MACCHINA	COVER ASSY
8	12901904/0	VITE TSP M4x35 A2 UNI 7688	SCREW TSP M4x35
9	25160593/0	COPERCHIO PLAST. EVAPOR.	EVAPOR. PLASTIC COVER
10	25560160/0	PERNO SCORRIMENTO PORTA	DOOR PIVOT
11	25474590/0	MOLLA PERNO PORTA	SPRING DOOR PIVOT
12	81301056/0	ASS. PORTA CS25	CS25 DOOR ASSY
13	25610182/0	PRESA D'ARIA ANTERIORE	FRONT PANEL
14	25590000/0	CORNICE COMANDI	FRAME CONTROL



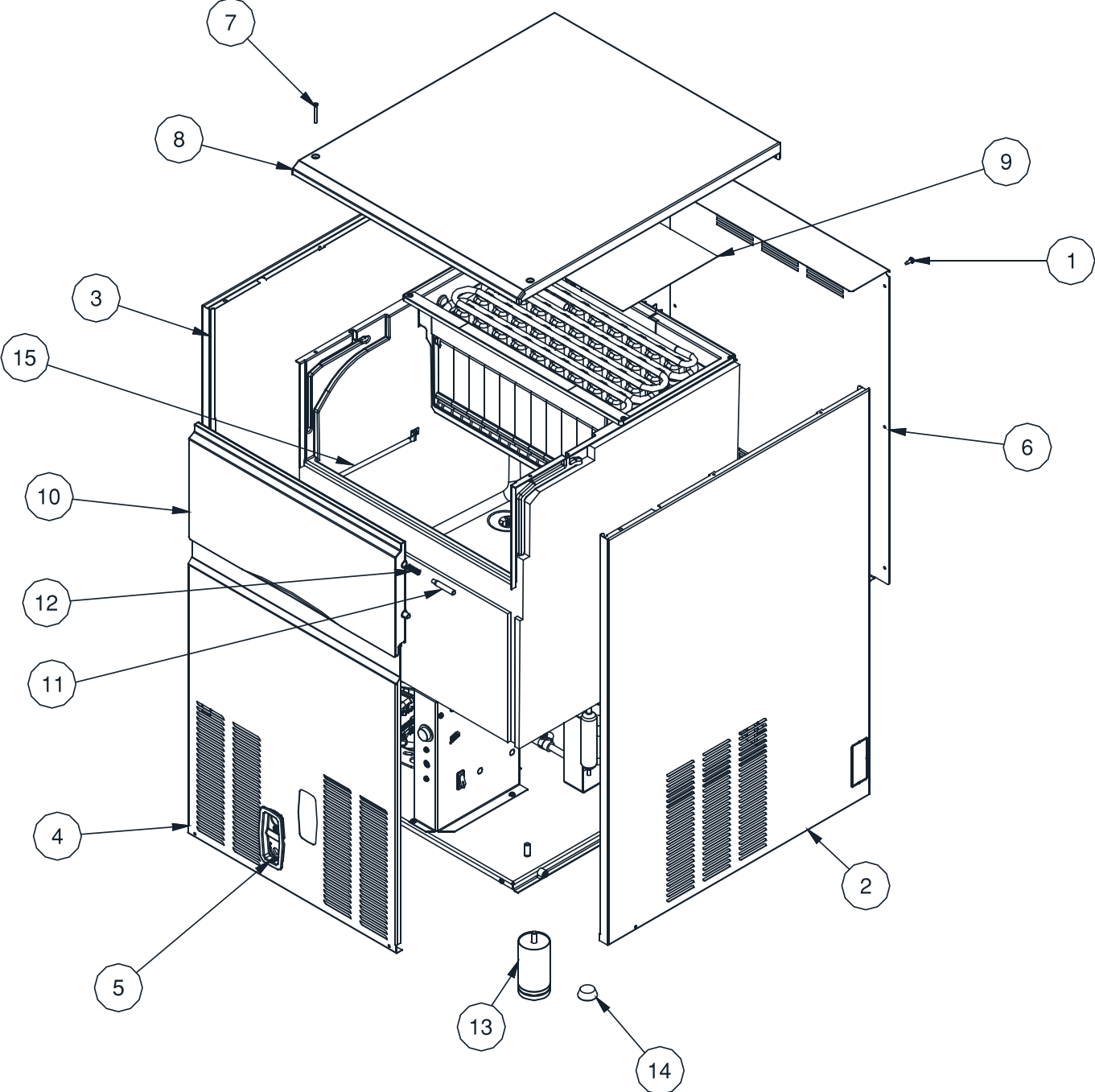
Pos.nr.	Codice/Code	Descrizione	Description	Pos.nr.	Codice/Code	Descrizione	Description
1	81301010/0	ASS. EVAPORATORE	EVAPORATOR ASSY	30	25782027/0	TUBO INGR. SPRUZZATORE	SPRAYER INLET PIPE
2	25700411/0	SCIVOLO CUBETTI GHIACCIO	ICE CUBE CHUTE	31	25782039/0	TUBO SPRUZZATORE	SPRAYER PIPE
3	25040113/0	ALETTA SX PARASPRUZZI	LEFT SPLASH STOP FINI	32	25782078/0	TUBO POMPA-SPRUZZ. EVAP.	EVAP-PUMP PIPE
4	25040112/0	ALETTA DX PARASPRUZZI	RIGHT SPLASH STOP FIN	33	81300024/0	ASS. INGRESSO ALIMENTAZIONE	ELECTRIC SUPPLY ASSY
5	25040114/0	ALETTA PARASPRUZZI	SPLASH STOP FIN	34	25725222/0	SUPP. ATTACCHI IDRICI/ELETTTR.	WATER/ELECTRIC SUPPLY PANEL
6	81301041/0	ASS. POMPA 230V 50Hz	PUMP ASSY 230V 50Hz	35	19865551/0	DOPPIA VALV. ENT.ACQUA (cond W)	DOUBLE WATER VALVE (Water cond)
8	81301220/0	ASS. POMPA 220V 60Hz	PUMP ASSY 220V 60Hz	36	25114038/0	BASAMENTO	BASEMENT
7	25685311/0	SCARICO DEPOSITO	BIN DRAIN	37	19165879/0	COMPRESSORE 230V/50HZ	COMPRESSOR 230V/50HZ
8	25135213/0	CONTENITORE PLAST. GHIACCIO	PLASTIC ICE BIN	38	19166061/0	COMPRESSORE 230V/60HZ	COMPRESSOR 230V/60HZ
9	81301031/0	ASS. CONTENITORE EVAPOR.	EVAPOR. BIN ASSY	39	81301148/0	ASS. CONDENSATORE ACQUA	WATER CONDENSER ASSY
10	25550283/0	PARATIA TENDINE EVAPOR.	EVAPORATOR CLOSER UPPER	40	19280153/0	FASC.STRINGITUBO D8-16	PIPE CLAMP D8-16
11	25410195/0	ISOLAM.PARATIA	INSULATION WALL	41	25631032/0	RACCORDO SCARICO ACQUA	WATER DRAIN JUNCTION
12	19560231/0	PORTAGOMMA CURVO	CURVED HOSE	42	25781551/0	TUBO CARICO ACQUA CONDENS. W	COND. WATER CHARGE PIPE
13	26103879/0	DADO 1/2"G	DICE 1/2"G	43	19550630/0	PRESSOSTATO	PRESSURE SWITCH
14	19350514/0	GUARNIZIONE 20X32X2	SEAL 20X32X2	44	19300802/0	FILTRO GAS	GAS FILTER
15	25730503/0	TAPPO SCARICO VASCHETTA	BIN CUP DRAIN	45	19863033/0	VALVOLA GAS CALDO	HOT GAS VALVE
16	41020448/0	O-RING 11,8x8x1,9	O-RING 11,8x8x1,9	46	19053102/0	BOBINA VALVOLA GAS CALDO	HOT GAS COIL
17	25767049/0	TUBO PORTABULBO DEP. GHIACCIO	BULB HOLDER PIPE STORAGE BIN	47	81301053/0	DEPOSITO ISOLATO	INSULATED BIN
18	25685312/0	SCARICO MACCHINA	DISCHARGE MACHINE	48	18562496/0	MOTOVENTILATORE	FAN MOTOR
19	25782026/0	TUBO SCARICO DEPOSITO	STORAGE DISCHARGE PIPE	49	18740031/0	PALA VENTILATORE	FAN MOTOR BLADE
20	25781550/0	TUBO SCARICO TROPPOPIENO	OVERFULL PIPE	50	19177126/0	CONDENSATORE ARIA	AIR CONDENSER
21	19280714/0	STRINGITUBO A MOLLA D20.6-21.6	CLAMP SPRING D20.6-21.6	51	19865542/0	VALVOLA ACQUA (VERS. ARIA)	WATER VALVE (AIR VERS.)
22	19281326/0	STRINGITUBO A MOLLA D28.1-26.7	CLAMP SPRING D28.1-26.7	52	19690414/0	TAPPO	CAP
23	33400059/0	INTERRUTTORE ON/OFF	ON-OFF SWITCH	53	25600011/0	TUBO ENTR. ACQUA EVAPOR.	PIPE WATER INLET EVAP.
24	19797026/0	TERMOSTATO DEPOSITO	BIN THERMOSTAT	54	25600012/0	FERMO TUBO INGR. ACQUA EVAP.	LOCK PIPE WATER INLET EVAP.
25	19797009/0	TERMOSTATO EVAPORATORE	EVAP. THERMOSTAT				
26	33580321/0	SCHEDE SCHEDA ELETTR. TIMER	TIMER PC- BOARD				
27	33400046/0	PULSANTE DI LAVAGGIO	WASHING PUSH BUTTON				
28	25728002/0	TAPPO PER SPRUZZATORE	SPRAYER CUP				
29	25799003/0	UGELLO SPRUZZATORE	SPRAYER NOZZLE				



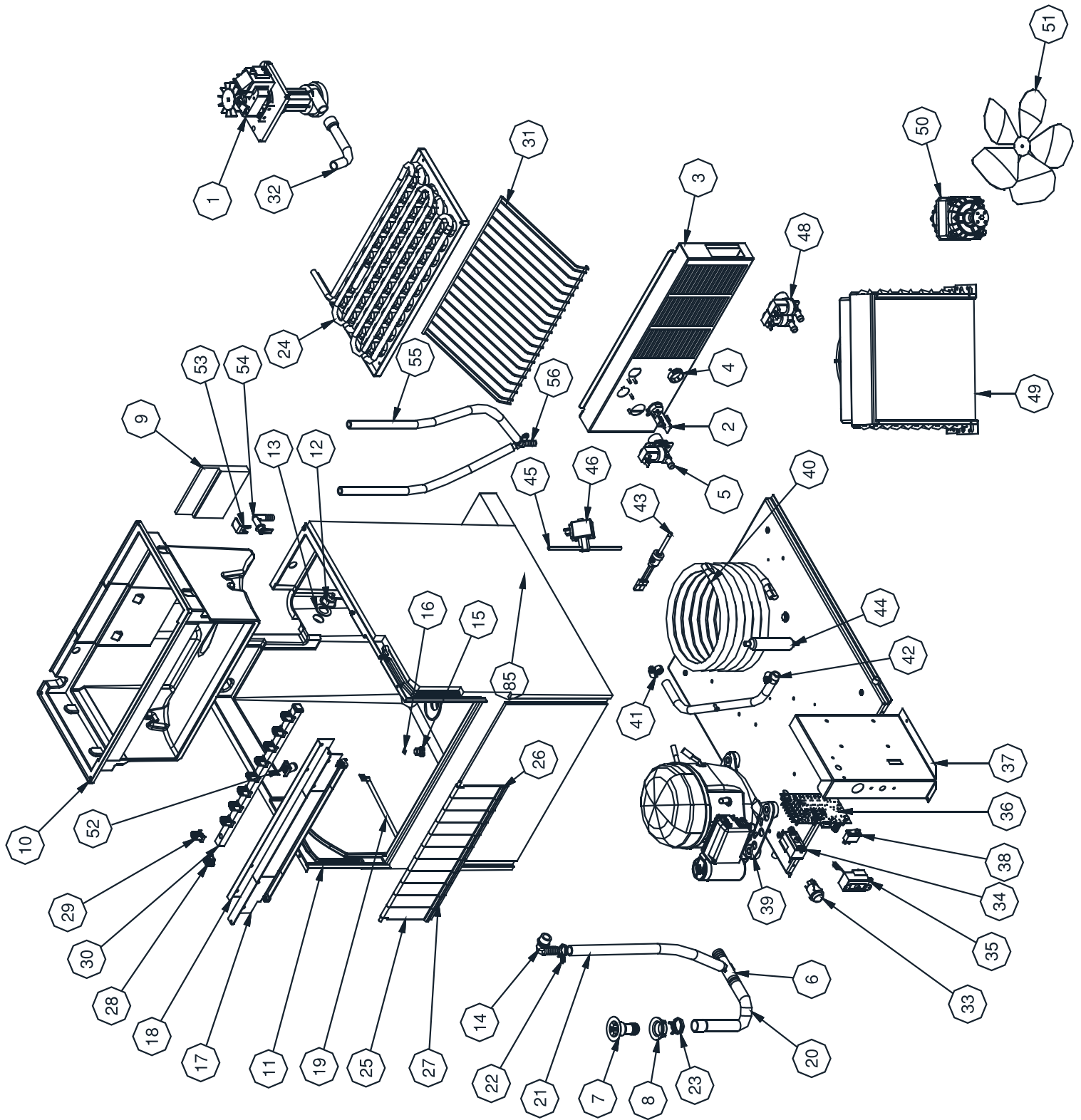
Pos.nr.	Codice/Code	Descrizione	Description
1	12727355/0	VITE ATCB 4.2X13	SCREW ATCB 4.2X13
2	25330944/0	FIANCO DESTRO	RIGHT PANEL
3	25330945/0	FIANCO SINISTRO	LEFT PANEL
4	25767049/0	TUBO PORTABULBO DEPOSITO	HOLDER PROBE STORAGE PIPE
5	25700073/0	SCHIENALE MACCHINA	BACK PANEL
6	25570708/0	ASS. PIEDINO Ø50 H100-120	LEG ASSY Ø50 H100-120
7	12901904/0	VITE TSP M4x35 A2 UNI 7688	SCREW TSP M4x35
8	81301071/0	ASS. COPERCHIO MACCHINA	COVER ASSY
9	25160594/0	COPERCHIO PLAST. EVAPOR.	EVAPOR. PLASTIC COVER
10	25560160/0	PERNO SCORRIMENTO PORTA	DOOR PIVOT
11	25474590/0	MOLLA PERNO PORTA	SPRING DOOR PIVOT
12	81301057/0	ASS. PORTA CS40-50	CS40-50 DOOR ASSY
13	25610183/0	PRESA D'ARIA ANTERIORE	FRONT PANEL
14	25590000/0	CORNICE COMANDI	FRAME CONTROL
15	81502119/0	ASS. PIEDINO 12 mm DIAM. 31	LITTLE LEG 12 mm ASSY



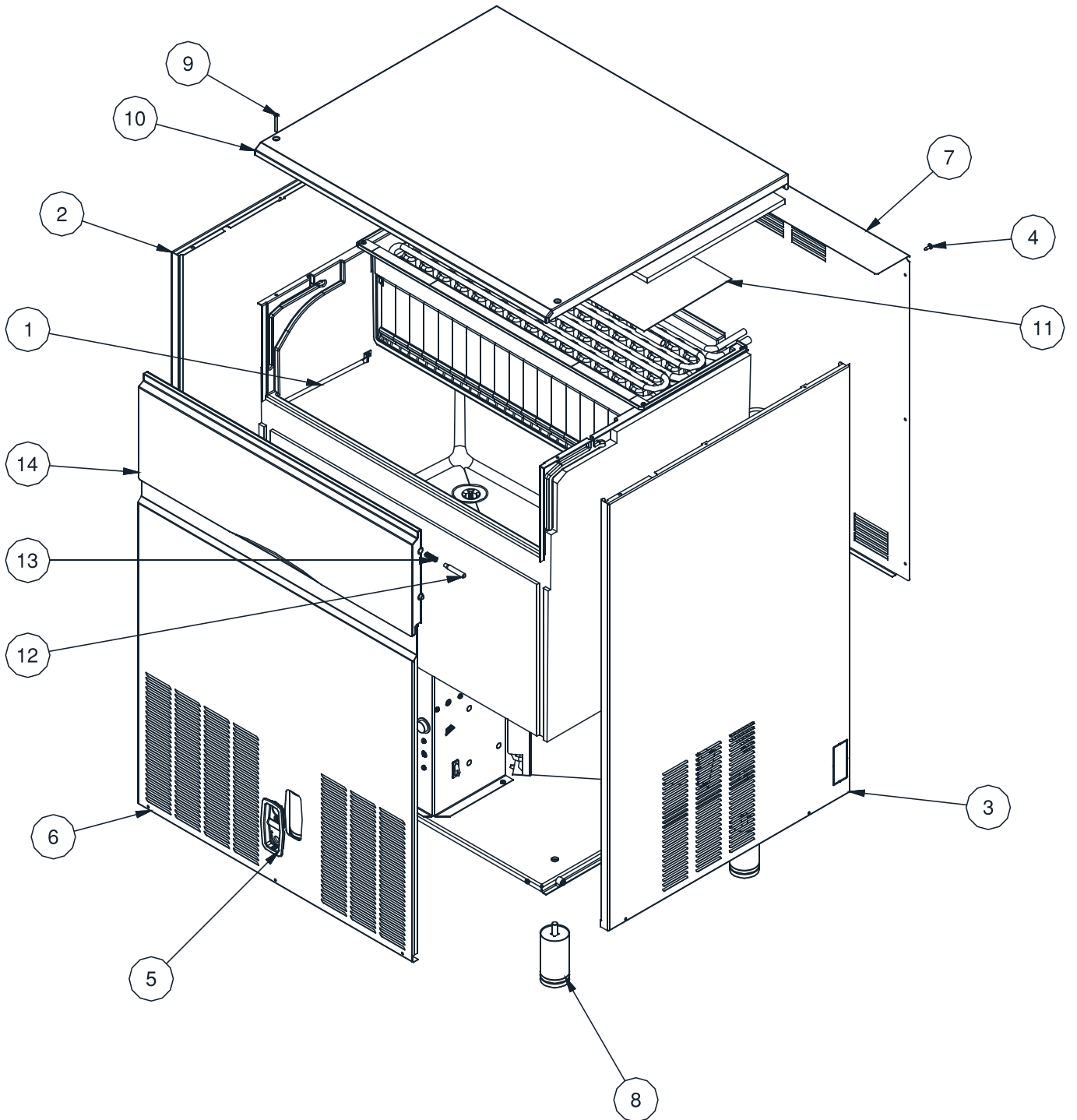
Pos.nr.	Codice/Code	Descrizione	Description	Pos.nr.	Codice/Code	Descrizione	Description
1	81301010/0	ASS. EVAPORATORE	EVAPORATOR ASSY	46	81301054/0	DEPOSITO ISOLATO	INSULATED BIN
2	25114039/0	BASAMENTO	BASEMENT	47	25730503/0	TAPPO SCARICO VASCHELLA	BIN CUP DRAIN
3	19165643/0	COMPRESSORE 230V/50HZ	COMPRESSOR 230V/50HZ	48	41020448/0	O-RING 11.8x8x1.9	O-RING 11.8x8x1.9
4	19165653/0	COMPRESSORE 230V/60HZ	COMPRESSOR 230V/60HZ	49	25410195/0	ISOLAM.PARATIA	INSULATION WALL
5	25700411/0	SCIVOLO CUBETTI GHIACCIO	ICE CUBE CHUTE	50	81301036/0	ASS. CONTENITORE EVAPOR.	EVAPOR. BIN ASSY
6	25040113/0	ALETTA SX PARASPRUZZI	LEFT SPLASH STOP FINI	51	25799003/0	UGELLO SPRUZZATORE	SPRAYER NOZZLE
7	25040112/0	ALETTA DX PARASPRUZZI	RIGHT SPLASH STOP FIN	52	25728002/0	TAPPO PER SPRUZZATORE	SPRAYER CUP
8	81301041/0	ALETTA PARASPRUZZI	SPLASH STOP FIN	53	25782039/0	TUBO SPRUZZATORE	SPRAYER PIPE
9	81301220/0	ASS. POMPA 230V 50HZ	PUMP ASSY 230V 50HZ	54	25782027/0	TUBO INGR. SPRUZZATORE	SPRAYER INLET PIPE
10	81301220/0	ASS. POMPA 220V 60HZ	PUMP ASSY 220V 60Hz	55	25550284/0	PARATIA TENDINE EVAPOR.	EVAPORATOR CLOSER UPPER
11	25685311/0	SCARICO DEPOSITO	BIN DRAIN	56	25135215/0	CONTENITORE PLAST. GHIACCIO	PLASTIC ICE BIN
12	25360200/0	GHIERA FIX SCARICO	MOUNTING DISCHARGE RING	57	25767049/0	TUBO PORTABULBO DEP. GHIACCIO	BULB HOLDER PIPE STORAGE BIN
13	19281326/0	STRINGITUBO A MOLLA D28.1-26.7	CLAMP SPRING D28.1-26.7	58	25767049/0	TUBO PORTABULBO DEPOSITO	HOLDER PROBE STORAGE PIPE
14	25782026/0	TUBO SCARICO DEPOSITO	STORAGE DISCHARGE PIPE	59	26103879/0	DADO 1/2" G	DICE 1/2" G
15	25685312/0	SCARICO MACCHINA	DISCHARGE MACHINE	60	19350514/0	GUARNIZIONE 20X32X2	SEAL 20X32X2
16	19797026/0	TERMOSTATO DEPOSITO	BIN THERMOSTAT	61	25781549/0	TUBO SCARICO TROPPOPIENO	OVERFULL PIPE
17	33400059/0	INTERRUTTORE ON/OFF	ON-OFF SWITCH	62	19281338/0	FASC.STRING. A MOLLA D22.5-24.0 AC	CLAMP SPRING D22.5-24.0
18	19797009/0	TERMOSTATO EVAPORATORE	EVAP. THERMOSTAT	63	195660231/0	PORTAGOMMA CURVO	CURVED HOSE
19	33400046/0	PULSANTE DI LAVAGGIO	WASHING PUSH BUTTON	64	19865542/0	VALVOLA ACQUA (VERS. ARIA)	WATER VALVE (AIR VERS.)
20	33580321/0	SCHEDA SCHEDA ELETTR. TIMER	TIMER PC-BOARD	65	19690414/0	TAPPO	CAP
21	19300802/0	FILTRO GAS	GAS FILTER	66	18562496/0	MOTOVENTILATORE	FAN MOTOR
22	81301148/0	ASS. CONDENSATORE ACQUA	WATER CONDENSER ASSY	67	18740031/0	PALA VENTILATORE	FAN MOTOR BLADE
23	25631032/0	RACCORDO SCARICO ACQUA	WATER DRAIN JUNCTION	68	19177127/0	CONDENSATORE ARIA	AIR CONDENSER
24	81300024/0	ASS. INGRESSO ALIMENTAZIONE	ELECTRIC SUPPLY ASSY	69	25600011/0	TUBO ENTR. ACQUA EVAPOR.	PIPE WATER INLET EVAP.
25	19865551/0	DORPIA VALV.ENT.ACQUA (cond W)	DOUBLE WATER VALVE (Water cond)	70	25600012/0	FERMO TUBO INGR. ACQUA EVAP.	LOCK PIPE WATER INLET EVAP.
26	19863033/0	VALVOLA GAS CALDO	HOT GAS VALVE				
27	19053102/0	BOBINA VALVOLA GAS CALDO	HOT GAS COIL				
28	19550630/0	PRESSOSTATO	PRESSURE SWITCH				
29	19280153/0	FASC.STRINGITUBO D8-16	PIPE CLAMP D8-16				
30	25781551/0	TUBO CARICO ACQUA CONDENS. W	COND. WATER CHARGE PIPE				
	25782078/0	TUBO POMPA-SPRUZZ. EVAP.	EVAP-PUMP PIPE				
	25725223/0	SUPP. ATTACCHI IDRICI/ELETTTR.	WATER/ELECTRIC SUPPLY PANEL				



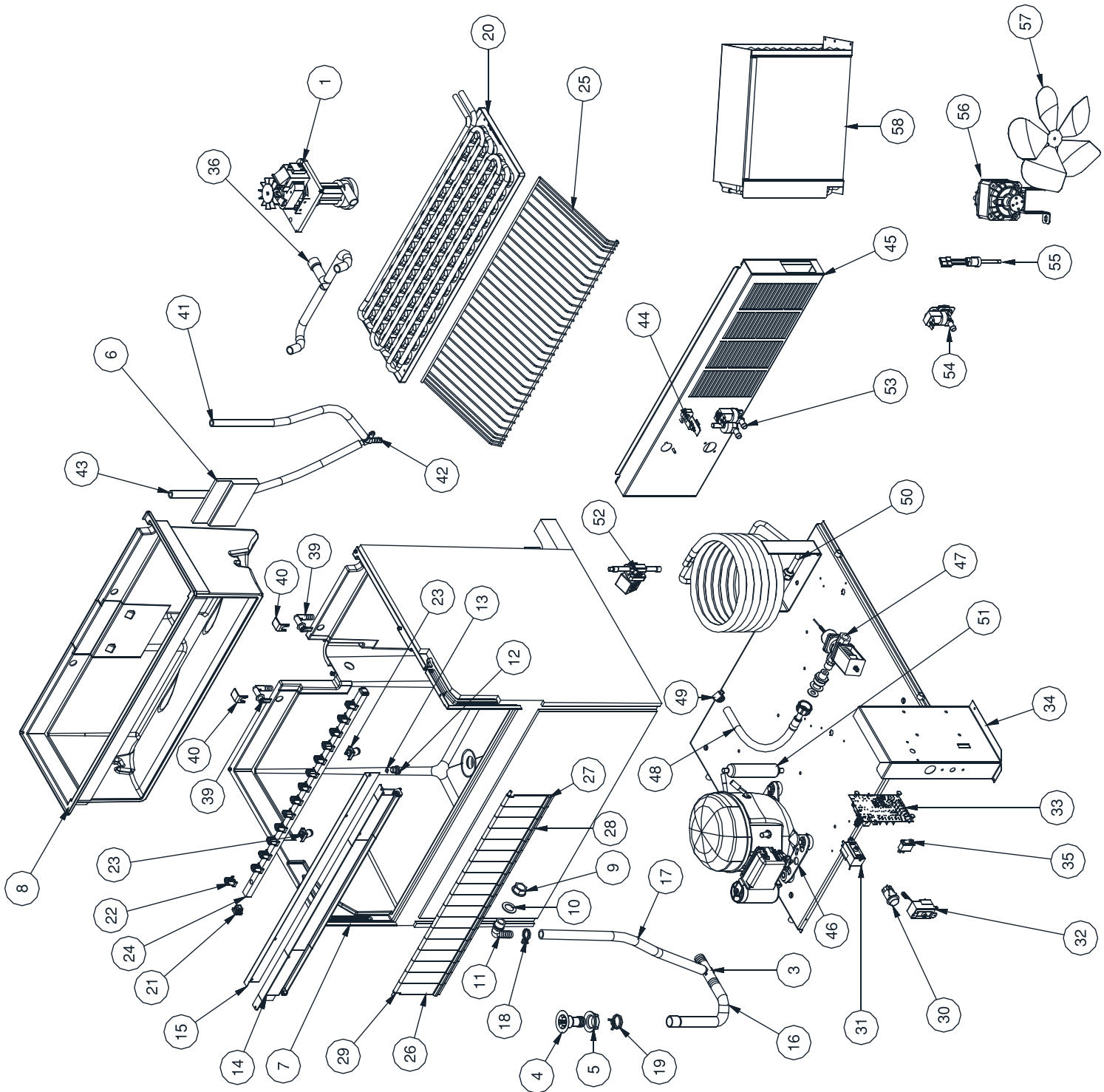
Pos.nr.	Codice/Code	Descrizione	Description
1	12727355/0	VITE ATCB 4.2X13	SCREW ATCB 4.2X13
2	25330946/0	FIANCO DESTRO	RIGHT PANEL
3	25330947/0	FIANCO SINISTRO	LEFT PANEL
4	25610184/0	PRESA D'ARIA ANTERIORE	FRONT PANEL
5	25590000/0	CORNICE COMANDI	FRAME CONTROL
6	25700074/0	SCHIENALE MACCHINA	BACK PANEL
7	12901904/0	VITE TSP M4x35	SCREW TSP M4x35
8	81301072/0	ASS. COPERCHIO MACCHINA	COVER ASSY
9	25160594/0	COPERCHIO PLAST. EVAPOR.	EVAPOR. PLASTIC COVER
10	81301057/0	ASS. PORTA CS40-50	CS40-50 DOOR ASSY
11	25560160/0	PERNO SCORRIMENTO PORTA	DOOR PIVOT
12	25474590/0	MOLLA PERNO PORTA	SPRING DOOR PIVOT
13	25570708/0	ASS. PIEDINO Ø50 H100-120	LEG ASSY Ø50 H100-120
14	81502119/0	ASS. PIEDINO 12 mm DIAM. 31	LITTLE LEG 12 mm ASSY
15	25767048/0	TUBO PORTABULBO DEPOSITO	HOLDER PROBE STORAGE PIPE



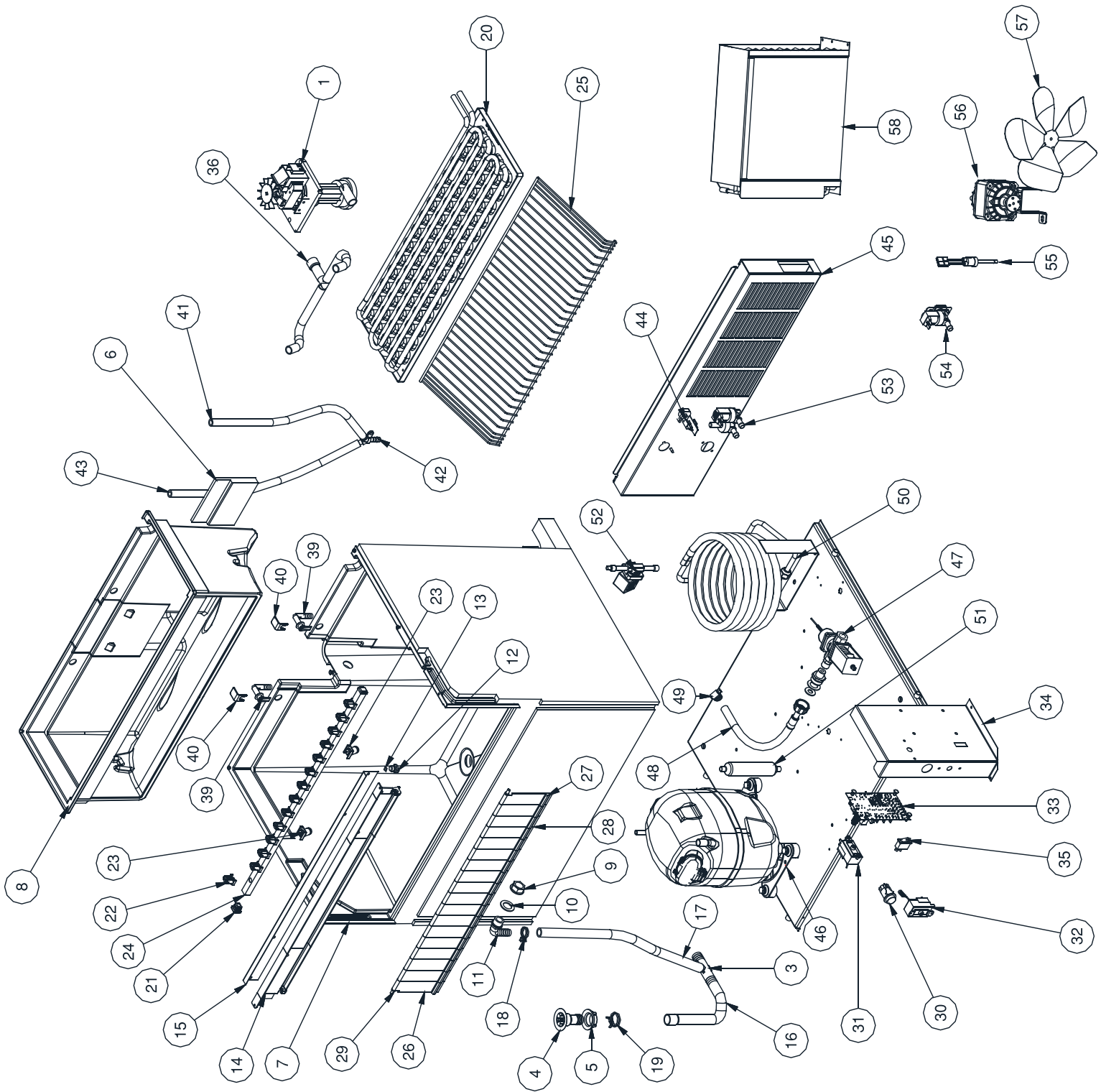
Pos.nr.	Codice/Code	Descrizione	Description	Pos.nr.	Codice/Code	Descrizione	Description
1	81301041/0	ASS. POMPA 230V 50Hz	PUMP ASSY 230V 50Hz	31	25700412/0	SCIVOLO CUBETTI GHIACCIO	ICE CUBE CHUTE
	81301220/0	ASS. POMPA 220V 60Hz	PUMP ASSY 220V 60Hz	32	25782078/0	TUBO POMPA-SPRUZZ. EVAP.	EVAP-PUMP PIPE
2	81300024/0	ASS. INGRESSO ALIMENTAZIONE	ELECTRIC SUPPLY ASSY	33	33400059/0	INTERRUTTORE ON/OFF	ON-OFF SWITCH
3	25725223/0	SUPP. ATTACCHI IDRICI/ELETT. TAPPO	WATER/ELECTRIC SUPPLY PANEL	34	19797026/0	TERMOSTATO DEPOSITO	BIN THERMOSTAT
4	19690414/0	TAPPO	PLUG	35	19797009/0	TERMOSTATO EVAPORATORE	EVAP. THERMOSTAT
5	19865518/0	VALVOLA ACQUA (VERS. ARIA)	WATER VALVE (AIR VERS.)	36	33580321/0	SCHEDA SCHEDA ELETT. TIMER	TIMER PC-BOARD
6	25685312/0	SCARICO MACCHINA	DISCHARGE MACHINE	37	25725226/0	SCATOLA COMP. ELETTICI	ELECTRIC BOX
7	25685311/0	SCARICO DEPOSITO	BIN DRAIN	38	33400046/0	PULSANTE DI LAVAGGIO	WASHING PUSH BUTTON
8	25360200/0	GHIERA FIX SCARICO	MOUNTING DISCHARGE RING	39	19165885/0	COMPRESSORE 230V/50HZ	COMPRESSOR 230V/50HZ
9	25410195/0	ISOLAM.PARATIA	INSULATION WALL	40	19165664/0	COMPRESSORE 220V/60HZ	COMPRESSOR 220V/60HZ
10	81301081/0	ASS. CONTENITORE EVAPOR.	EVAPOR. BIN ASSY	41	81301165/0	ASS. CONDENSATORE ACQUA	WATER CONDENSER ASSY
11	25135217/0	CONTENITORE PLAST. GHIACCIO	PLASTIC ICE BIN	42	19280153/0	FASC.STRINGITUBO D8-16	PIPE CLAMP D8-16
12	26103879/0	DADO PLAST. 1/2"G	PLASTIC NUT. 1/2"G	43	25781565/0	TUBO CARICO ACQUA CONDENS. W	COND. WATER CHARGE PIPE
13	19350514/0	GUARNIZIONE 20X32X2	SEAL 20X32X2	44	19550630/0	PRESSOSTATO	PRESSURE SWITCH
14	19560231/0	PORTAGOMMA CURVO	CURVED HOSE	45	19300804/0	FILTRO GAS	GAS FILTER
15	25730503/0	TAPPO SCARICO VASCHETTA	BIN CUP DRAIN	46	19863033/0	VALVOLA GAS CALDO	HOT GAS VALVE
16	41020448/0	O-RING 11.8x8x1.9	O-RING 11.8x8x1.9	47	19053102/0	BOBINA VALVOLA GAS CALDO	HOT GAS COIL
17	25550285/0	PARATIA TENDINE EVAPOR.	EVAPORATOR CLOSER UPPER	48	25782027/0	TUBO INGR. SPRUZZATORE	SPRAYER INLET PIPE
18	25647865/0	PARATIA + RINF. SUPP. TEND.	EVAPORATOR REINF. CLOSER UPPER	49	19865548/0	DOPPIA VALV.ENT.ACQUA (cond W)	DOUBLE WATER VALVE (Water cond)
19	25767048/0	TUBO PORTABULBO DEPOSITO	HOLDER PROBE STORAGE PIPE	50	19177110/0	CONDENSATORE ARIA	AIR CONDENSER
20	25782082/0	TUBO SCARICO DEPOSITO	STORAGE DISCHARGE PIPE	51	18562579/0	MOTOVENTILATORE	FAN MOTOR
21	25781548/0	TUBO SCARICO TROPPOPIENO	OVERFULL PIPE	52	18740028/0	PALA VENTILATORE	FAN MOTOR BLADE
22	19280714/0	STRINGITUBO A MOLLA D20.6-21.6	CLAMP SPRING D20.6-21.6	53	25782027/0	TUBO INGR. SPRUZZATORE	SPRAYER INLET PIPE
23	19281326/0	STRINGITUBO A MOLLA D28.1-26.7	CLAMP SPRING D28.1-26.7	54	25600012/0	FERMO TUBO INGR. ACQUA EVAPOR.	LOCK PIPE WATER INLET EVAP.
24	81301014/0	ASS. EVAPORATORE	EVAPORATOR ASSY	55	25600011/0	TUBO ENTRATA ACQUA EVAPOR.	PIPE WATER INLET EVAP.
25	25040113/0	ALETTA SX PARASPRUZZI	LEFT SPLASH STOP FIN	56	38778802/0	TUBO 10X16 WRC	PIPE 10X16 WRC
26	25040112/0	ALETTA DX PARASPRUZZI	RIGHT SPLASH STOP FIN		19250009/0	RACC.DERIV. 3VIE Y D.10	HYDRAULIC FITTING Y
27	25040114/0	ALETTA PARASPRUZZI	SPLASH STOP FIN				
28	25728002/0	TAPPO PER SPRUZZATORE	SPRAYER CUP				
29	25799003/0	UGELLO SPRUZZATORE	SPRAYER NOZZLE				
30	25782060/0	TUBO SPRUZZATORE	SPRAYER PIPE				



Pos.nr.	Codice/Code	Descrizione	Description
1	25767048/0	TUBO PORTABULBO DEPOSITO	HOLDER PROBE STORAGE PIPE
2	25330949/0	FIANCO SINISTRO	LEFT PANEL
3	25330948/0	FIANCO DESTRO	RIGHT PANEL
4	12727355/0	VITE ATCB 4.2X13	SCREW ATCB 4.2X13
5	25590000/0	CORNICE COMANDI	FRAME CONTROL
6	25610185/0	PRESA D'ARIA ANTERIORE	FRONT PANEL
7	25700077/0	SCHIENALE MACCHINA	BACK PANEL
8	25570707/0	PIEDINO M10 D.50 H100-120MM	LEG D.50 M10 H100-120MM
	25570708/0	PIEDINO M8 D50 H100-120MM	LEG D.50 M8 H100-120MM
9	12901904/0	VITE TSP M4x35	SCREW TSP M4x35
10	81301073/0	ASS. COPERCHIO MACCHINA	COVER ASSY
11	25160595/0	COPERCHIO PLAST. EVAPOR.	EVAPOR. PLASTIC COVER
12	25560160/0	PERNO SCORRIMENTO PORTA	DOOR PIVOT
13	25474590/0	MOLLA PERNO PORTA	SPRING DOOR PIVOT
14	81301058/0	ASS. PORTA CS70-90	CS70-90 DOOR ASSY



Pos.nr.	Codice/Code	Descrizione	Description	Pos.nr.	Codice/Code	Descrizione	Description
1	81301041/0	ASS. POMPA 230V 50Hz	PUMP ASSY 230V 50Hz	31	19797026/0	TERMOSTATO DEPOSITO	BIN THERMOSTAT
	81301220/0	ASS. POMPA 220V 50Hz	PUMP ASSY 220V 50Hz	32	19797009/0	TERMOSTATO EVAPORATORE	EVAP. THERMOSTAT
3	25685312/0	SCARICO MACCHINA	DISCHARGE MACHINE	33	33580321/0	SCHEDA SCHEDA ELETTTR. TIMER	TIMER PC-BOARD
4	25685311/0	SCARICO DEPOSITO	BIN DRAIN	34	25725224/0	SCATOLA COMP. ELETTRICI	ELECTRIC BOX
5	25360200/0	GHIERA FIX SCARICO	MOUNTING DISCHARGE RING	35	33400046/0	PULSANTE DI LAVAGGIO	WASHING PUSH BUTTON
6	25410195/0	ISOLAM.PARATIA	INSULATION WALL	36	81301168/0	ASS.TUBO POMPA-SPRUZZ. EVAP.	EVAP-PUMP PIPE ASSY
7	25135219/0	CONTENITORE PLAST. GHIACCIO	PLASTIC ICE BIN	39	25600011/0	TUBO ENTRATA ACQUA EVAPOR.	PIPE WATER INLET EVAP.
8	81301089/0	ASS. CONTENITORE EVAPOR.	EVAPOR. BIN ASSY	40	25600012/0	FERMO TUBO INGR. ACQUA EVAPOR.	LOCK PIPE WATER INLET EVAP.
9	26103879/0	DADO PLAST. 1/2"G	PLASTIC NUT. 1/2"G	41	38778802/0	TUBO 10X16 WRC	PIPE 10X16 WRC
10	19350514/0	GUARNIZIONE 20X32X2	SEAL 20X32X2	42	19250009/0	RACC.DERIV. 3VIE Y D.10	HYDRAULIC FITTING Y
11	19560231/0	PORTAGOMMA CURVO	CURVED HOSE	44	81300024/0	ASS. INGRESSO ALIMENTAZIONE	ELECTRIC SUPPLY ASSY
12	25730503/0	TAPPO SCARICO VASCHETTA	BIN CUP DRAIN	45	25725225/0	SUPP. ATTACCHI IDRICI/ELETTTR.	WATERELECTRIC SUPPLY PANEL
13	41020448/0	O-RING 11.8x8x1.9	O-RING 11.8x8x1.9	46	19165883/0	COMPRESSORE 230V/50HZ	COMPRESSOR 230V/50HZ
14	25550286/0	PARATIA TENDINE EVAPOR.	EVAPORATOR CLOSER UPPER	47	19165563/0	COMPRESSORE 220V/50HZ	COMPRESSOR 220V/50HZ
15	25647866/0	PARATIA + RINF. SUPP. TEND.	EVAPORATOR REINF. CLOSER UPPER	48	19865611/0	VALV. PRESSOSTATICA 3/8"	PRESSOSTATIC VALVE 3/8"
16	25782059/0	TUBO SCARICO DEPOSITO	STORAGE DISCHARGE PIPE	49	19820003/0	TUBO CARICO ACQUA CONDENS. W	COND. WATER CHARGE PIPE
17	25781567/0	TUBO SCARICO TROPPOPIENO	OVERFULL PIPE	50	19280153/0	FASC.STRINGITUBO D8-16	PIPE CLAMP D8-16
18	19280714/0	STRINGITUBO A MOLLA D20.6-21.6	CLAMP SPRING D20.6-21.6	51	81301192/0	CONDENSATORE AD ACQUA	WATER CONDENSATOR
19	19281326/0	STRINGITUBO A MOLLA D28.1-26.7	CLAMP SPRING D28.1-26.7	52	19301215/0	FILTRO GAS	GAS FILTER
20	81301018/0	ASS. EVAPORATORE	EVAPORATOR ASSY	53	19863036/0	VALVOLA GAS CALDO	HOT GAS VALVE
21	25728002/0	TAPPO PER SPRUZZATORE	SPRAYER CUP	54	19865547/0	DOPPIA VALV.ENT.ACQUA (cond W)	DOUBLE WATER VALVE (Water cond)
22	25799003/0	UGELLO SPRUZZATORE	SPRAYER NOZZLE	55	19550630/0	PRESSOSTATO	PRESSURE SWITCH
23	25782027/0	TUBO INGR. SPRUZZATORE	SPRAYER INLET PIPE	56	18562531/0	MOTOVENTILATORE	FAN MOTOR
24	257820610/0	TUBO SPRUZZATORE	SPRAYER PIPE	57	18740024/0	PALA VENTILATORE	FAN MOTOR BLADE
25	25700413/0	SCIVOLO CUBETTI GHIACCIO	ICE CUBE CHUTE	58	19177124/0	CONDENSATORE ARIA	AIR CONDENSER
26	25040113/0	ALETTA SX PARASPRUZZI	LEFT SPLASH STOP FINI				
27	25040112/0	ALETTA DX PARASPRUZZI	RIGHT SPLASH STOP FINI				
28	25040114/0	ALETTA PARASPRUZZI	SPLASH STOP FINI				
29	81301040/0	ASS: ALETTE PARASPR.	SPLASH STOP FIN ASSY				
30	33400059/0	INTERRUTTORE ON/OFF	ON-OFF SWITCH				



Pos.nr.	Codice/Code	Descrizione	Description	Pos.nr.	Codice/Code	Descrizione	Description
1	81301041/0	ASS. POMPA 230V 50HZ	PUMP ASSY 230V 50HZ	31	19797026/0	TERMOSTATO DEPOSITO	BIN THERMOSTAT
	813011220/0	ASS. POMPA 220V 60HZ	PUMP ASSY 260V 60HZ	32	19797009/0	TERMOSTATO EVAPORATORE	EVAP. THERMOSTAT
3	25685312/0	SCARICO MACCHINA	DISCHARGE MACHINE	33	33580321/0	SCHEDA SCHEDA ELETTTR. TIMER	TIMER PC-BOARD
4	25685311/0	SCARICO DEPOSITO	BIN DRAIN	34	25725224/0	SCATOLA COMP. ELETTTRICI	ELECTRIC BOX
5	25360200/0	GHIERA FIX SCARICO	MOUNTING DISCHARGE RING	35	33400046/0	PULSANTE DI LAVAGGIO	WASHING PUSH BUTTON
6	25410195/0	ISOLAM.PARATIA	INSULATION WALL	36	81301168/0	ASS.TUBO POMPA-SPRUZZ. EVAP.	EVAP-PUMP PIPE ASSY
7	25135219/0	CONTENITORE PLAST. GHIACCIO	PLASTIC ICE BIN	39	25600011/0	TUBO ENTRATA ACQUA EVAPOR.	PIPE WATER INLET EVAP.
8	813011089/0	ASS. CONTENITORE EVAPOR.	EVAPOR. BIN ASSY	40	25600012/0	FERMO TUBO INGR. ACQUA EVAPOR.	LOCK PIPE WATER INLET EVAP.
9	26103879/0	DADO PLAST. 1/2"G	PLASTIC NUT, 1/2"G	41	38778802/0	TUBO 10X16 WRC	PIPE 10X16 WRC
10	19350514/0	GUARNIZIONE 20X32X2	SEAL 20X32X2	42	19250009/0	RACC.DERIV. 3VIE Y D.10	HYDRAULIC FITTING Y
11	19560231/0	PORTAGOMMA CURVO	CURVED HOSE	44	81300024/0	ASS. INGRESSO ALIMENTAZIONE	ELECTRIC SUPPLY ASSY
12	25730503/0	TAPPO SCARICO VASCHETTA	BIN CUP DRAIN	45	25725225/0	SUPP. ATTACCHI IDRICI/ELETTTR.	WATER/ELECTRIC SUPPLY PANEL
13	41020448/0	O-RING 11,8x8x1,9	O-RING 11,8x8x1,9	46	19165569/0	COMPRESSORE 230V/50HZ	COMPRESSOR 230V/50HZ
14	25550286/0	PARATIA TENDINE EVAPOR.	EVAPORATOR CLOSER UPPER		19165568/0	COMPRESSORE 220V/60HZ	COMPRESSOR 220V/60HZ
15	25647866/0	PARATIA + RINF. SUPP. TEND.	EVAPORATOR REINF. CLOSER UPPER	47	19865611/0	VALV. PRESSOSTATICA 3/8"	PRESSOSTATIC VALVE 3/8"
16	25782059/0	TUBO SCARICO DEPOSITO	STORAGE DISCHARGE PIPE	48	19820003/0	TUBO CARICO ACQUA CONDENS. W	COND. WATER CHARGE PIPE
17	25781567/0	TUBO SCARICO TROPPOPIENO	OVERFULL PIPE	49	19280153/0	FASC.STRINGITUBO D8-16	PIPE CLAMP D8-16
18	19280714/0	STRINGITUBO A MOLLA D20.6-21.6	CLAMP SPRING D20.6-21.6	50	81301192/0	CONDENSATORE AD ACQUA	WATER CONDENSATORE
19	19281326/0	STRINGITUBO A MOLLA D28.1-26.7	CLAMP SPRING D28.1-26.7	51	19301215/0	FILTRO GAS	GAS FILTER
20	81301018/0	ASS. EVAPORATORE	EVAPORATOR ASSY	52	19863036/0	VALVOLA GAS CALDO	HOT GAS VALVE
21	25728002/0	TAPPO PER SPRUZZATORE	SPRAYER CUP	53	19865547/0	DOPPIA VALV.ENT.ACQUA (cond w)	DOUBLE WATER VALVE (Water cond)
22	25799003/0	UGELLO SPRUZZATORE	SPRAYER NOZZLE	54	19865546/0	VALV.ENT.ACQUA (vers. aria)	WATER VALVE (Air vers.)
23	25782027/0	TUBO INGR. SPRUZZATORE	SPRAYER INLET PIPE	55	19550630/0	PRESSOSTATO	PRESSURE SWITCH
24	25782061/0/0	TUBO SPRUZZATORE	SPRAYER PIPE	56	18562580/0	MOTOVENTILATORE	FAN MOTOR
25	25700413/0	SCIVOLO CUBETTI GHIACCIO	ICE CUBE CHUTE	57	18740034/0	PALA VENTILATORE	FAN MOTOR BLADE
26	25040113/0	ALETTA SX PARASPRUZZI	LEFT SPLASH STOP FINI	58	19177111/0	CONDENSATORE ARIA	AIR CONDENSER
27	25040112/0	ALETTA DX PARASPRUZZI	RIGHT SPLASH STOP FINI				
28	25040114/0	ALETTA PARASPRUZZI	SPLASH STOP FINI				
29	81301040/0	ASS: ALETTE PARASPR.	SPLASH STOP FIN ASSY				
30	33400059/0	INTERRUTTORE ON/OFF	ON-OFF SWITCH				

Castel MAC SpA a socio unico

Via del Lavoro, 8 - 31033 Castelfranco Veneto - Treviso

N. Registro Imprese TV e Partita Iva 01866640269 - Codice Fiscale 07892570156 - Capitale Sociale i,v, Euro 4.3000.000,00

Tel. +39 0423.738452 - Fax +39 0423.722811 - icematic@castelmac.it - www.icematic.it
