

Drawing



Tools for Chefs

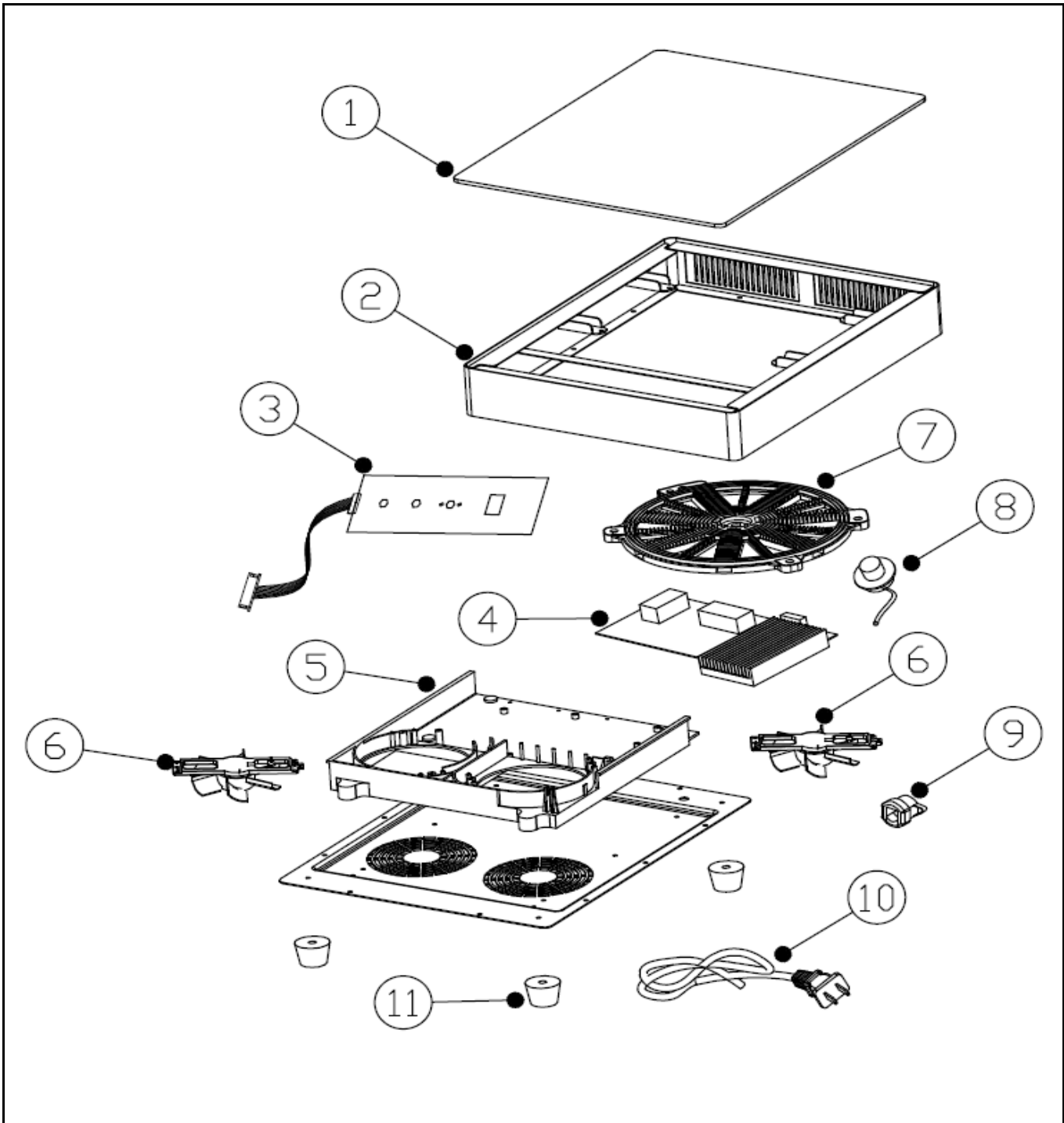
Hendi B.V.
Steenoven 21
3911 TX Rhenen
The Netherlands

Batch #
HK027219 and
up


Appliance part#
239421

Description
Induction cooker 3500W Black Line

Date	27-01-2020	Revision #	Revision version
Revision	First bill of materials (BOM)		



Bill of materials (BOM)

 HENDI <small>Tools for Chefs</small> Hendi B.V. Steenoven 21 3911 TX Rhenen The Netherlands	Batch #	Appliance part#
	HK027219 and up	239421
	Description	
Induction cooker 3500W Black Line		


Date	27-01-2020	Revision #	Revision version
Revision	First bill of materials (BOM)		

Item	Description	Part#	Quantity	Remark	Picture
1	Glass Plate	nss	1	Available as 952184	
2	Upper Housing	nss	1	Available as 942184	
1 + 2	Upper Housing incl. Glass	952184	1		
3	Control PCB	944264	1		
4	Main PCB	944257	1		
5	PCB Bracket	n/a	1		
6	Fan	919446	2		
7	Main Coil	944288	1		
8	Sensor	944295	1		
9	Powercord Retention	n/a	1		
10	Powercord	912027	1		
11	Feet	944301	4		

n/a -> not available

nss -> not sold separately

Wiring diagram

 <b style="font-size: 24px; margin-left: 10px;">HENDI Tools for Chefs Hendi B.V. Steenoven 21 3911 TX Rhenen The Netherlands	Batch #	Appliance part#
	HK027219 and up	239421
	Description	
	Induction cooker 3500W Black Line	

Date	27-01-2020	Revision #	Revision version
Revision	First bill of materials (BOM)		

