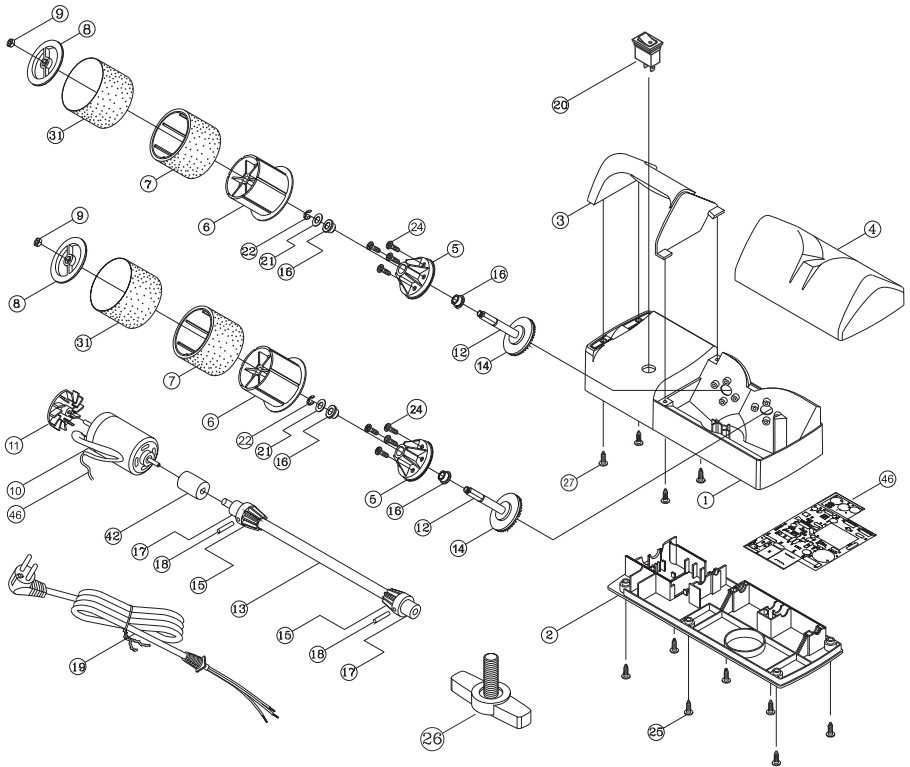


PARTS LIST

Model : KE-3000
Voltage : 100v~240v



- | | | |
|----------------------|-------------------------|------------------------|
| 1.Body | 12 Shaft of bevel gear. | 24 Screw 12mm |
| 2 Bottom seat | 13 Shaft of pinion gear | 25 Screw 20mm |
| 3 Handle | 14 Bevel gear | 26 Manual screw |
| 4 Upper cover | 15 Pinion gears | 27 Screw 15mm |
| 5 Bearing fixed seat | 16 T-type oil bearing | 31 Sharpening Abrasive |
| 6 Main shaft | 17 H-type oil bearing | 46 Fuse |
| 7 Elasticity Wheels | 18 Thrust pin | 47 Circuit Board |
| 8 Wheels cover | 19 Electric wire | |
| 9 Nut | 20 Switch | |
| 10 Motor | 21 Washer | |
| 11 Radiating fan | 22 C-type washer | |