

Drawing



Hendi B.V.
 Steenoven 21
 3911 TX Rhenen
 The Netherlands

Batch #

0000000

Appliance part#

274200

Description

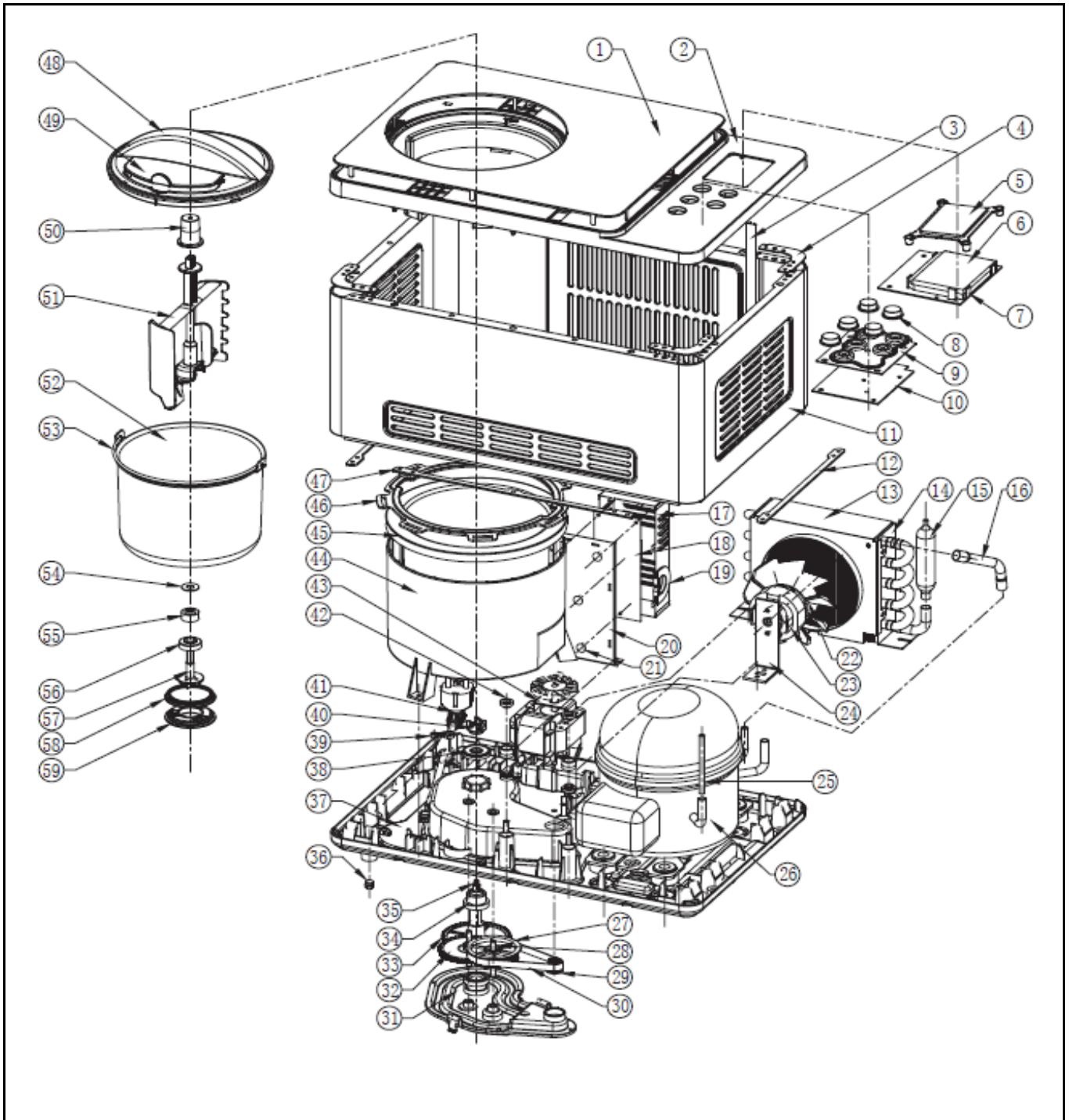
Ice cream maker

Date 07-12-2015


Revision #

Revision version

Revision First bill of materials (BOM)



Bill of materials (BOM)

 <p>Hendi B.V. Steenoven 21 3911 TX Rhenen The Netherlands</p>	Batch #	Appliance part#
	0000000	274200
	Description	
Ice cream maker		

Date	07-12-2015	Revision #	Revision version
Revision	First bill of materials (BOM)		


Item	Description	Part#	Quantity	Remark	Picture
1	Top cover	n/a	1		
2	Top panel	n/a	1		
3	Bracket	n/a	1		
4	Corner brackets	n/a	4		
5	Display glass	nss	1	Available as 936016	
6	Dipslay pcb	936016	1	Incl item 4,7	
7	Bracket display pcb	nss	1	Available as 936016	
8	Key	nss	5	Available as 936023	
9	Key holder	nss	1	Available as 936023	
10	Key board complete	936023	1	Incl item 8,9	
11	Housing	n/a	1		
12	Bracket	n/a	2		
13	Cover condenser	n/a	1		
14	Condenser	n/a	1		
15	Filter drier	n/a	1		
16	Tubing	n/a	1		
17	Cover main pcb	n/a	1		
18	Main pcb	936030	1		
19	Grommet	n/a	1		
20	Bracket main pcb	n/a	1		
21	Mounting brackets	n/a	4		
22	Fan blade	nss	1	Available as 936047	
23	Fan 240V 13W	936047	1	Incl item 22	
24	Bracket Fan	n/a	1		
25	Tubing	n/a	1		
26	Compressor	n/a	1		
27	Gear (large)	nss	1	Available as 936054	
28	Axle (large gear)	nss	2	Available as 936054	
29	Gear (small)	nss	1	Available as 936054	
30	Belt (255x8)	nss	1	Available as 936054	
31	Transmission complete assembly	936054	1	Incl item 27,28,29,30,31,32,33,34,35	
32	Gear A	nss	1	Available as 936054	
33	Gear B	nss	1	Available as 936054	
34	Bearing	nss	2	Available as 936054	
35	Drive shaft	nss	1	Available as 936054	
36	Rubber feet	936061	2		
37	Bottom cover	n/a	1		
38	Sealing	936078	1		
39	Retainer	n/a	1		
40	Lower clutch	936085	1		
41	Power cord	205303	1		
42	Damper	n/a	6		
43	Motor 220V 30W	936092	1		
44	Bracket evaporator	n/a	1		
45	Evaporator	n/a	1		
46	Sealing	n/a	1		
47	Bracket	n/a	2		
48	Lid	936108	1	Incl item 49	
49	Small lid	nss	1	Available as 936108	
50	Bushing	936115	1		
51	Mixing blade	936122	1		
52	Bowl	936139	1	Incl item 53	
53	Handle bowl	nss	1	Available as 936139	
54	Washer	nss	1	Available as 936146	

55	Oil seal Ø18,3x8	nss	1	Available as 936146	
56	Bearing	nss	1	Available as 936146	
57	Upper clutch set complete	936146	1	incl item 54,55,56,57,58,59	
58	Lower sealing	nss	1	Available as 936146	
59	Bottom cover	nss	1	Available as 936146	

n/a -> not available

nss -> not sold separately

Circuit diagram

 <p>Hendi B.V. Steenoven 21 3911 TX Rhenen The Netherlands</p>	Batch #	Appliance part#
	0000000	274200
	Description	
	Ice cream maker	

Date	07-12-2015	Revision #	Revision version
Revision	First bill of materials (BOM)		

