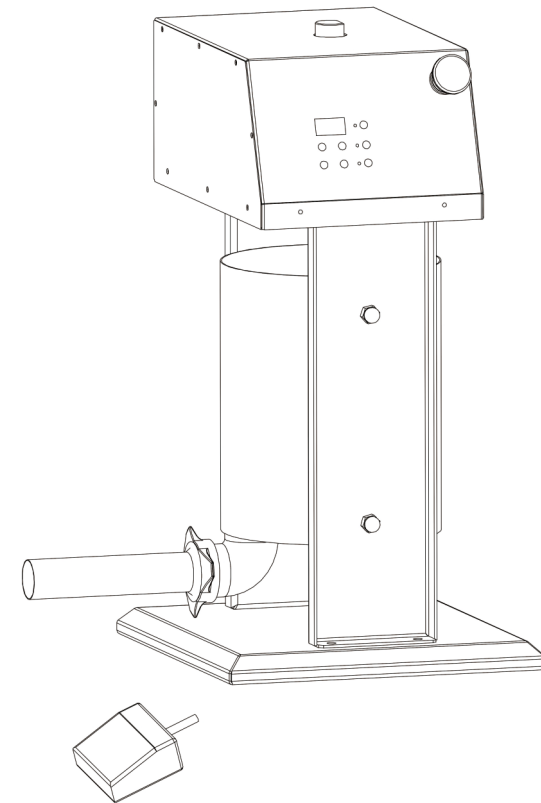


Electric Sausage Stuffer Instruction Manual

(SEV10&SEV12&SEV15)



* Please read the instruction throughly before using the equipment

CE

CONTENT

CHAPTER 1 | COMPANY BRIEF INTRODUCTION

CHAPTER 2 | PRODUCT INTRODUCTION

CHAPTER 3 | OPERATION AND CLEANING

CHAPTER 4 | PRODUCTS EXPLODED VIEW AND SPARE PARTS LIST

WARRANTY CARD

CHAPTER 1 COMPANY BRIEF INTRODUCTION

- Thanks for choosing our machines. We are a company who specialized in food processing machines field for many years. The main products are spiral mixers, planetary mixers, meat grinders/mincers, meat slicers, meat mixers, sausage stuffers/fillfers, meat tenderizers, and so on. With the strength of good quality and after-sales service, we have won reputation from the customers all around the world.
- Please read the instruction throughly before using the equipment. Please keep this manual for future use.

CHAPTER 2 PRODUCT INTRODUCTION

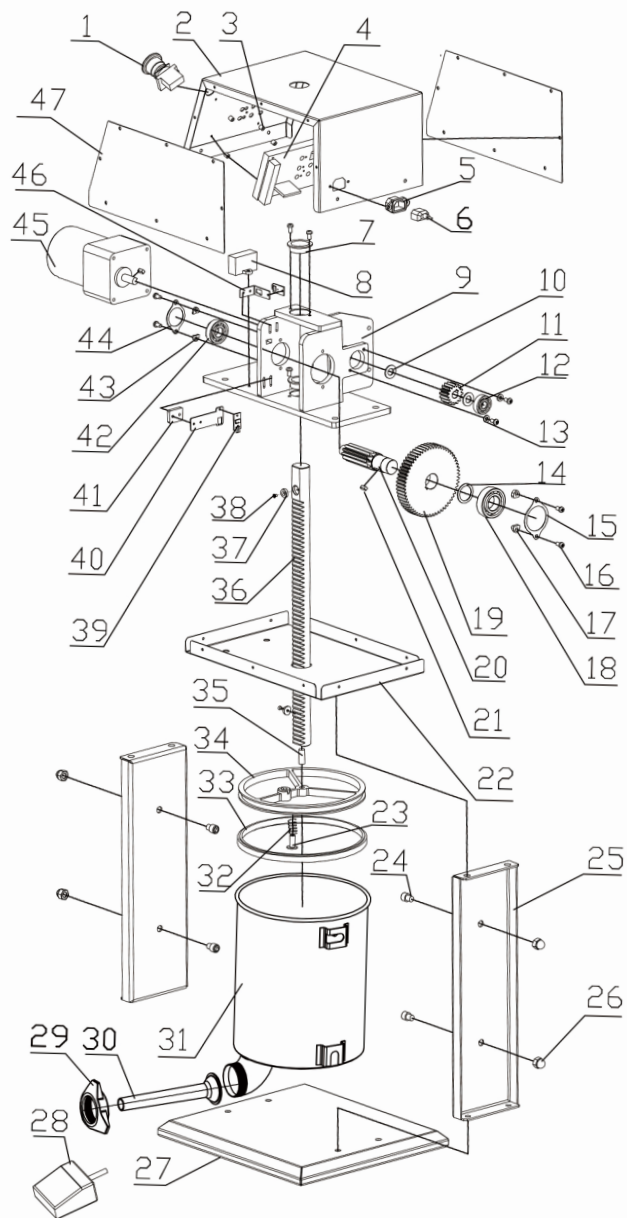
- 1. This product shell is used full stainless steel which is safe, non-toxic, rustless, and easy to clean;
- 2. The electric appliance is used domestic famous brand with stable quality;
- 3. This product is used the combination of welding & screw which is safe & reliable ;
- 4. The down speed can be adjusted and the current speed can be seen from the touch panel;
- 5. CE certificate has been approved.

CHAPTER 3 OPERATION AND CLEANING

- 1. Please read the panel instruction carefully when operating this equipment.
- 2. Please don't disassemble the fixed spare parts & electric components optionally.
- 3. This product has 2 kinds of working voltage: 110V and 220V respectively. Please check the voltage according to the name plate on the machine you buy.
- 4. Please make sure the voltage that you use is consistent with the name plate and there are ground core in the power socket.
- 5. The down speed of the machine is 0-6.6 mm/min;
- 6. The meat particles for sausage stuffing require smaller than the nozzle diameter. Please make sure the machine is working steady when stuffing.
- 7. If some meats are stuck when the machine is working, please loosen the pedal then step on the pedal again and repeat these operation for a few times. But please don't let them stuck for a long time, to avoid the motor go wrong accidentally in high temperature;
- 8. Please wipe off and clean this machine with the towel but not with the water directly. The electric components may be destroyed if the water goes inside the machine.

CHAPTER 4 PRODUCTS EXPLODED VIEW AND SPARE PARTS LIST

Model	SEV10	SEV12	SEV15
Name	Electric Sausage stuffer	Electric Sausage stuffer	Electric Sausage stuffer
Volume	10L	12L	15L
Weight (kg)	27.5	29	30
Size (mm)	637*370*330	687*370*330	767*370*330
Motor Power (KW)	0.06	0.06	0.06
Motor Rotation speed (r/mm)	1350	1350	1350
Voltage (v)	110V/60Hz 220V/50Hz	110V/60Hz 220V/50Hz	110V/60Hz 220V/50Hz
Up Speed (mm/s)	7	7	7
Down Speed (mm/s)	0-7	0-7	0-7

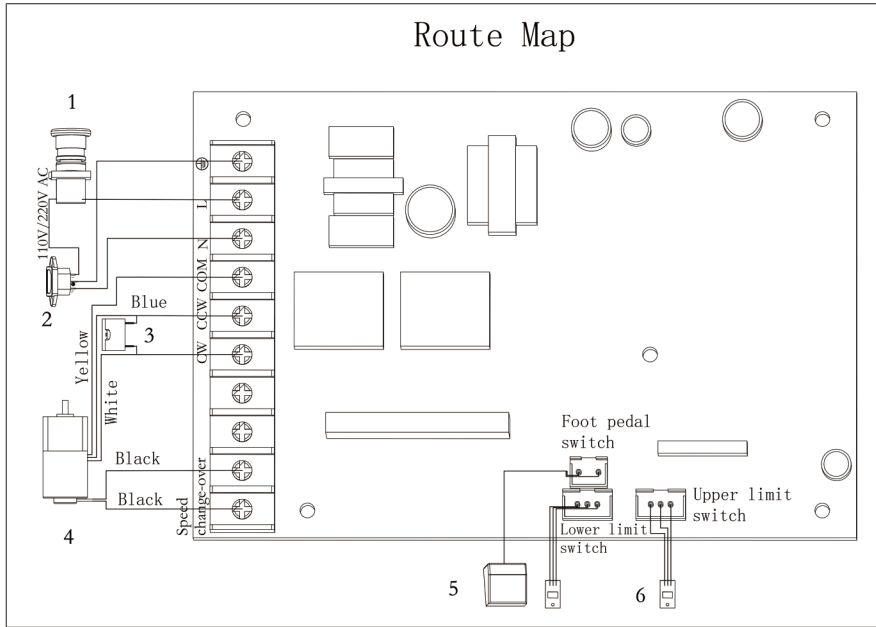


SPARE PARTS LIST

NO.	NAME	QTY	NO.	NAME	QTY
1	Emergency switch	2	26	Cap nut	1
2	Top cover	1	27	Base	1
3	Gel column	1	28	Foot pedal	4
4	Electric board	5	29	Trefoil nut	1
5	Socket	1	30	Nozzle	1
6	Power core	1	31	Cylinder	1
7	Copper bush	2	32	Spring	1
8	Capacitor	1	33	Big gasket	2
9	Gear seat assembly	1	34	Big plunger	2
10	Small gear ring	1	35	Set screw	1
11	Samall gear	2	36	Rack	1
12	Bearing	1	37	Magnet	1
13	Flat gasket	1	38	Screw	1
14	Ring	2	39	Inductive head	11
15	Bearing baffle	1	40	Lower sensor chip	1
16	Screw	1	41	Washer of lower sensor chip	2
17	Bearing washer	1	42	Bearing	1
18	Bearing	2	43	Bearing washer	1
19	Big gear	2	44	Bearing baffle	1
20	Big gear shaft	1	45	Motor	1
21	Flat key	1	46	Upper sensor chip	1
22	Center fixed plate	2	47	Side sealing plate	1
23	Exhaust pin	2			
24	Inner hexagram screw	4			
25	Side sealing plate	1			

Note: Some screws & washers are not included in the spare parts list

Route Map



NO.	NAME	QTY
1	Emergency switch	1
2	Socket	1
3	Capacitor	1
4	Motor	1
5	Foot pedal	1
6	Inductive head	2

WARRANTY REGISTRATION RELEASE TYPE OR PRINT CLEARLY



NAME _____
 ADDRESS _____
 CITY _____ STATE _____ ZIP CODE _____
 PHONE _____ PURCHASE DATE _____
 PRODUCT MODEL: _____

Purchased for: Commercial use Personal use Other

Purchased by: _____

Products purchased from: Store Internet

**THIS CARD MUST BE SENT TO THE STORE WHERE YOU
PURCHASED TO VALIDATE WARRANTY**

WARRANTY REGISTRATION RELEASE TYPE OR PRINT CLEARLY



NAME _____
 ADDRESS _____
 CITY _____ STATE _____ ZIP CODE _____
 PHONE _____ PURCHASE DATE _____
 PRODUCT MODEL: _____

Purchased for: Commercial use Personal use Other

Purchased by: _____

Products purchased from: Store Internet

**THIS CARD MUST BE SENT TO THE STORE WHERE YOU
PURCHASED TO VALIDATE WARRANTY**