

Drawing



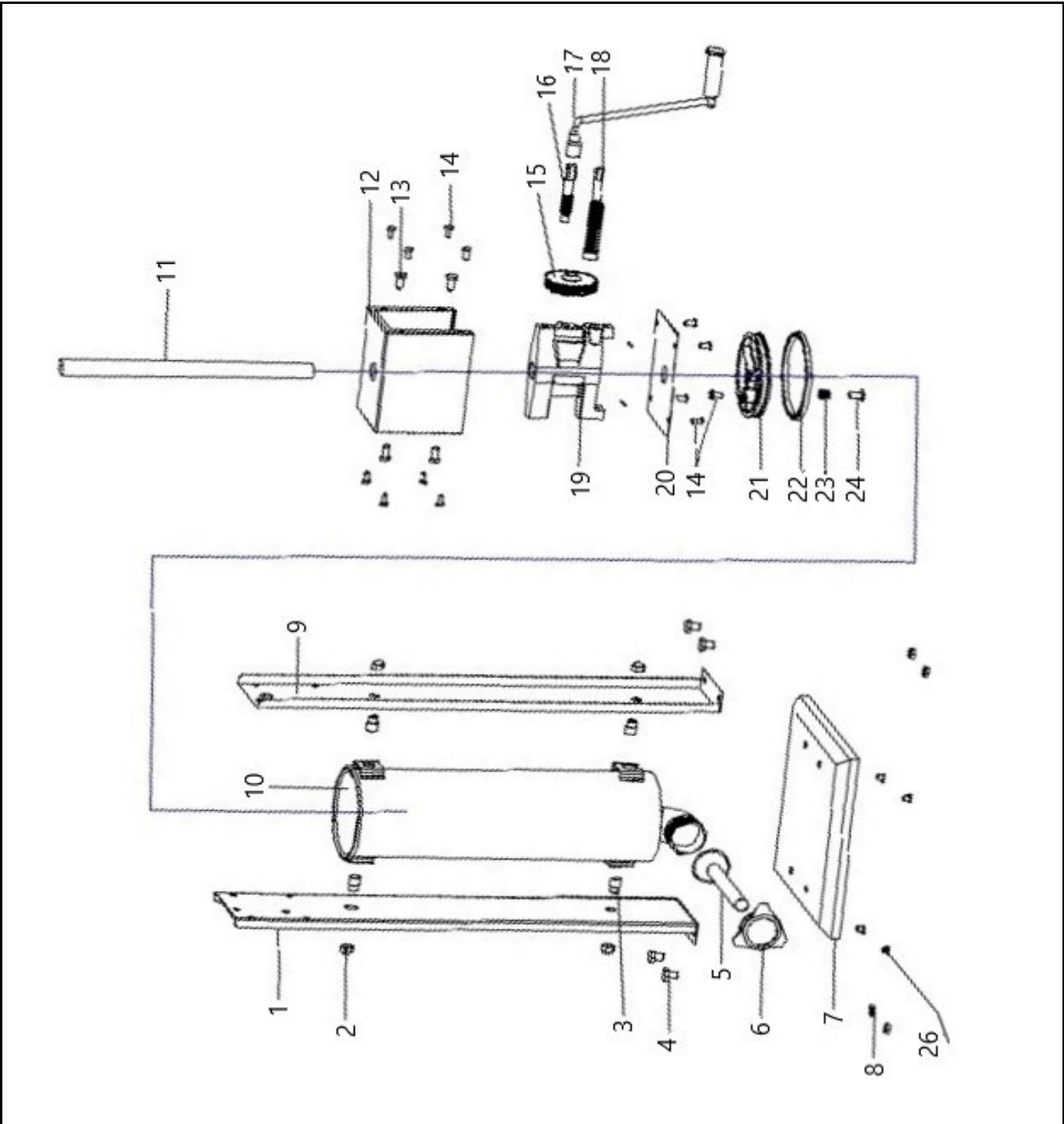
Tools for Chefs

Hendi B.V.
 Steenoven 21
 3911 TX Rhenen
 The Netherlands


Batch #	Appliance part#
000000 and up	282090

Description
Sausage filling machine Profi Line 7L

Date	23-11-2020	Revision #	1.0
Revision	First Bill of Materials (BOM)		



Bill of materials (BOM)

 <b style="font-size: 24px; margin-left: 10px;">HENDI <small style="color: green; margin-left: 10px;">Tools for Chefs</small> Hendi B.V. Steenoven 21 3911 TX Rhenen The Netherlands	Batch #	Appliance part#
	000000 and up	282090
	Description	
Sausage filling machine Profi Line 7L		

Date	23-11-2020	Revision #	1.0
Revision	First Bill of Materials (BOM)		

Item	Description	Part#	Quantity	Remark	Picture
1	Housing (Left)	n/a	1		
2	Nut	n/a	2		
3	Socket-Head screw	n/a	2		
4	Stainless Steel nut	n/a	2		
5	Funnel 4 Pcs Stainless Steel	935477	1	Incl. 16-22-32 and 38mm	
6	Funnel Locking Nut	959084	1		
7	Bottom Plate	n/a	1		
8	Stainless Steel Nut	n/a	1		
9	Housing (Right)	n/a	1		
10	Stainless Steel Cylinder	n/a	1		
11	Plunger Axle	n/a	1		
12	Gearbox Cover	n/a	1		
13	Screw	n/a	8		
14	Stainless Steel Crosshead Screw	n/a	8		
15	Gear	935453	1		
16	Gear Axle (Small)	941713	1		
17	Crank With Handle	942710	1		
18	Gear Axle (Big)	945643	1		
19	Gear Bracket	n/a	1		
20	Bottom Gearbox Cover	n/a	1		
21	Plunger	n/a	1		
22	Plunger Gasket	941904	1	Ø140mm	
23	Spring	n/a	1		
24	Plunger Exhaust Pin	n/a	1		
26	Foot	959268	4		

n/a -> not available

nss -> not sold separately