

Drawing



Tools for Chefs

Hendi B.V.

Steenoven 21  
3911 TX Rhenen  
The Netherlands

Batch #

HK071519 and  
up

Appliance part#

264119

Description

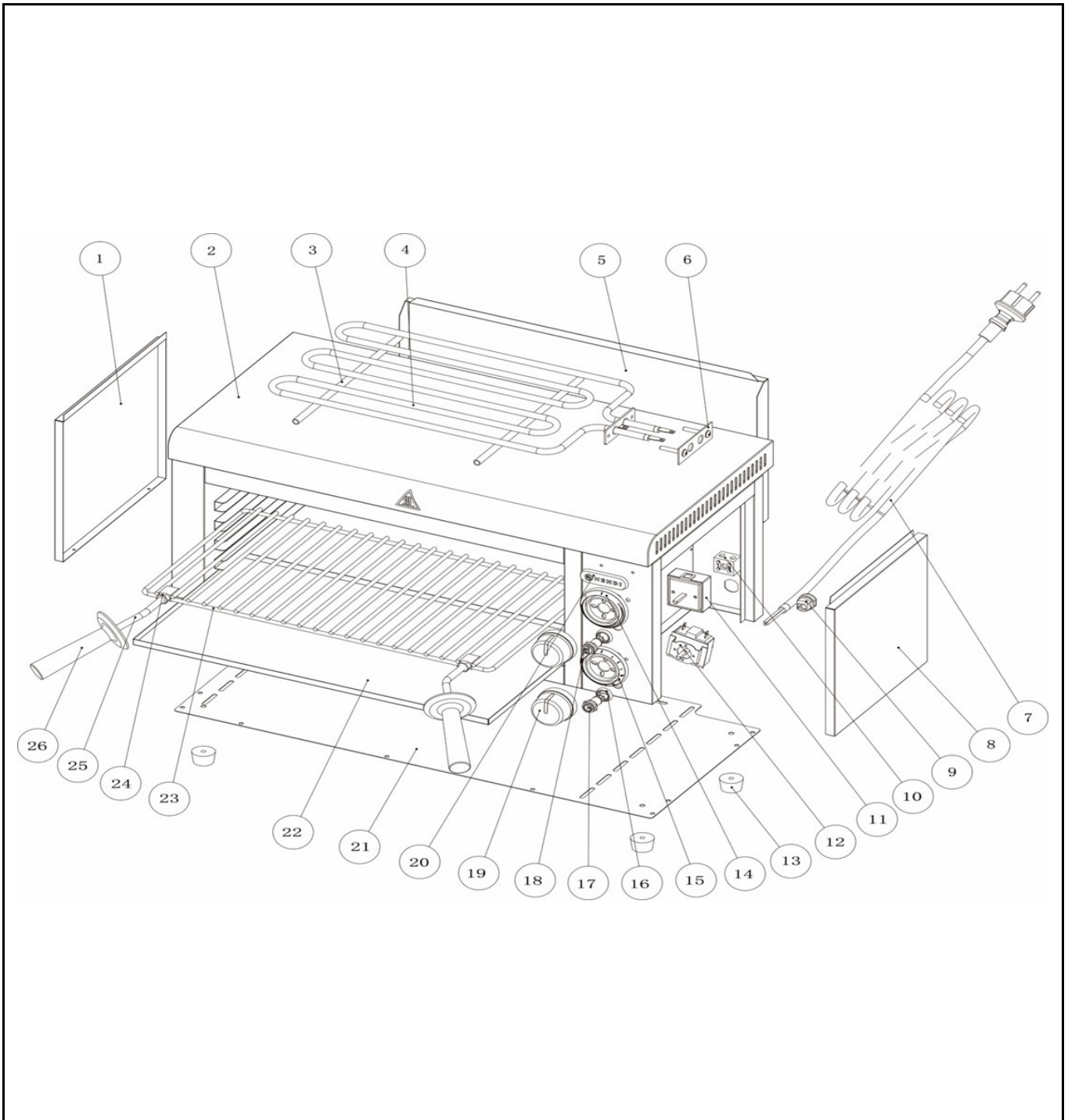
Salamander wall mountable

Date 04-05-2021


Revision #

1.1

Revision Updated control panel and circuit diagram.



### Bill of materials (BOM)

 <b style="font-size: 24px; margin-left: 10px;">HENDI</b> <span style="font-size: 12px; color: green; margin-left: 10px;">Tools for Chefs</span> <b>Hendi B.V.</b> Steenoven 21 3911 TX Rhenen The Netherlands	<b>Batch #</b>	<b>Appliance part#</b>
	HK071519 and up	<b>264119</b>
	<b>Description</b>	
<b>Salamander wall mountable</b>		


<b>Date</b>	04-05-2021	<b>Revision #</b>	1.1
<b>Revision</b>	Updated control panel and circuit diagram.		

Item	Description	Part#	Quantity	Remark	Picture
1	Housing panel (left)	n/a	1		
2	Frame	n/a	1		
3	Heating element support	n/a	1		
4	Heating element	901724	1		
5	Housing panel (back)	n/a	1		
6	Heating element bracket	n/a	1		
7	Power cord	912027	1		
8	Housing panel (right)	n/a	1		
9	Cord inlet with retention	912201	1		
10	Terminal	929940	1		
11	Energy regulator	943366	1		
12	Timer	943359	1		
13	Feet	912058	1	Set of 4	
14	Knob energy regulator	943342	1	Incl. item 19	
15	Knob timer	943335	1	Incl. item 19	
16	Indicator light ring	nss	2	Available as 942925 and 930533	
17	Indicator light green	942925	1		
18	Indicator light orange	930533	1		
19	Knob	nss	2	Available as 943342 and 943335	
20	Logo badge Hendi	955963	1		
21	Housing cover (bottom)	n/a	1		
22	Crumb tray	904442	1		
23	Grid	904428	1		
24	Nut (M8)	nss	2		
25	Handle rod	nss	2		
26	Handle	943328	2		

n/a -> not available

nss -> not sold separately

### Circuit diagram

 <b>HENDI</b> Tools for Chefs <b>Hendi B.V.</b> Steenoven 21 3911 TX Rhenen The Netherlands	<b>Batch #</b>	<b>Appliance part#</b>
	HK071519 and up	<b>264119</b>
	<b>Description</b>	
	Salamander wall mountable	

<b>Date</b>	04-05-2021	<b>Revision #</b>	1.1
<b>Revision</b>	Updated control panel and circuit diagram.		

