

Drawing



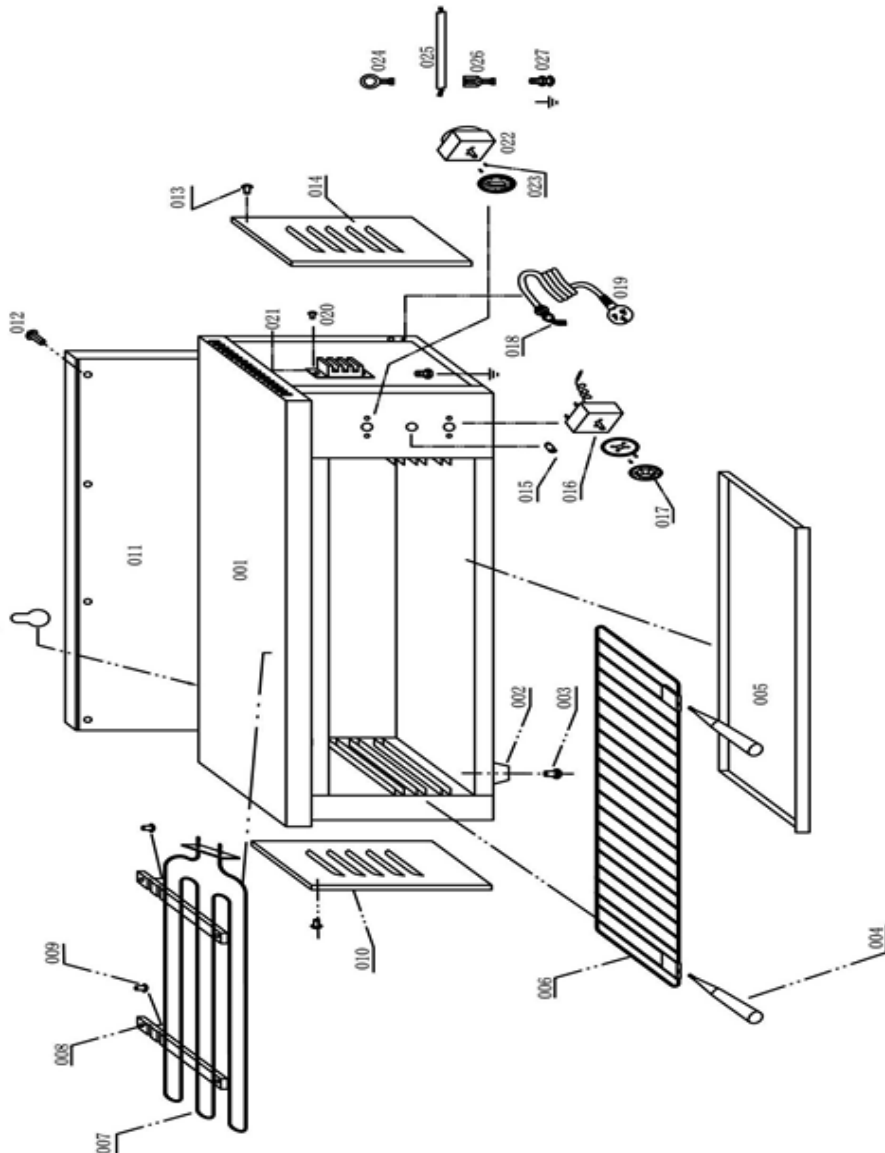
**Hendi B.V.**  
 Steenoven 21  
 3911 TX Rhenen  
 The Netherlands

Batch #  
 0000000


Appliance part#  
 264102

Description  
 Salamander Type 270

<b>Date</b>	14-01-2020	<b>Revision #</b>	Revision version
<b>Revision</b>	First bill of materials (BOM)		



### Bill of materials (BOM)

 <p><b>HENDI</b> FOOD SERVICE EQUIPMENT</p> <p><b>Hendi B.V.</b> Steenoven 21 3911 TX Rhenen The Netherlands</p>	<b>Batch #</b>	<b>Appliance part#</b>
	0000000	264102
	<b>Description</b>	
Salamander Type 270		


<b>Date</b>	14-01-2020	<b>Revision #</b>	Revision version
<b>Revision</b>	First bill of materials (BOM)		

Item	Description	Part#	Quantity	Remark	Picture
1	Housing	n/a	1		
2	Feet	921159	4		
3	Screw	n/a	4		
4	Handle	904435	2		
5	Crumb tray	904442	1		
6	Grid	904428	1	450x250mm	
7	Element 2000W	901724	1		
8	Holder element	n/a	2		
9	Screw	n/a	4		
10	Left cover	n/a	1		
11	Back cover	n/a	1		
12	Screw	n/a	3		
13	Screw	n/a	4		
14	Right cover	n/a	1		
15	Indicator light	912003	1		
16	Energy regulator	201121	1		
17	Knob energy regulator with graduation plate	904466	1		
18	Cord inlet with retention	912201	1		
19	Powercord	912027	1		
20	Screw	n/a	2		
21	Terminal	n/a	1		
22	Knob timer with graduation plate	931493	1		
23	Timer	904404	1		
24	Ring terminals	n/a	8		
25	Wiring set	n/a	1		
26	Blade connectors	n/a	11		
27	Grounding screw	n/a	1		

n/a -> not available

nss -> not sold separately

Circuit diagram

 <b>HENDI</b> FOOD SERVICE EQUIPMENT <b>Hendi B.V.</b> Steenoven 21 3911 TX Rhenen The Netherlands	Batch #	Appliance part#
	0000000	264102
	Description	
	Salamander Type 270	

Date	14-01-2020	Revision #	Revision version
Revision	First bill of materials (BOM)		

