

Drawing



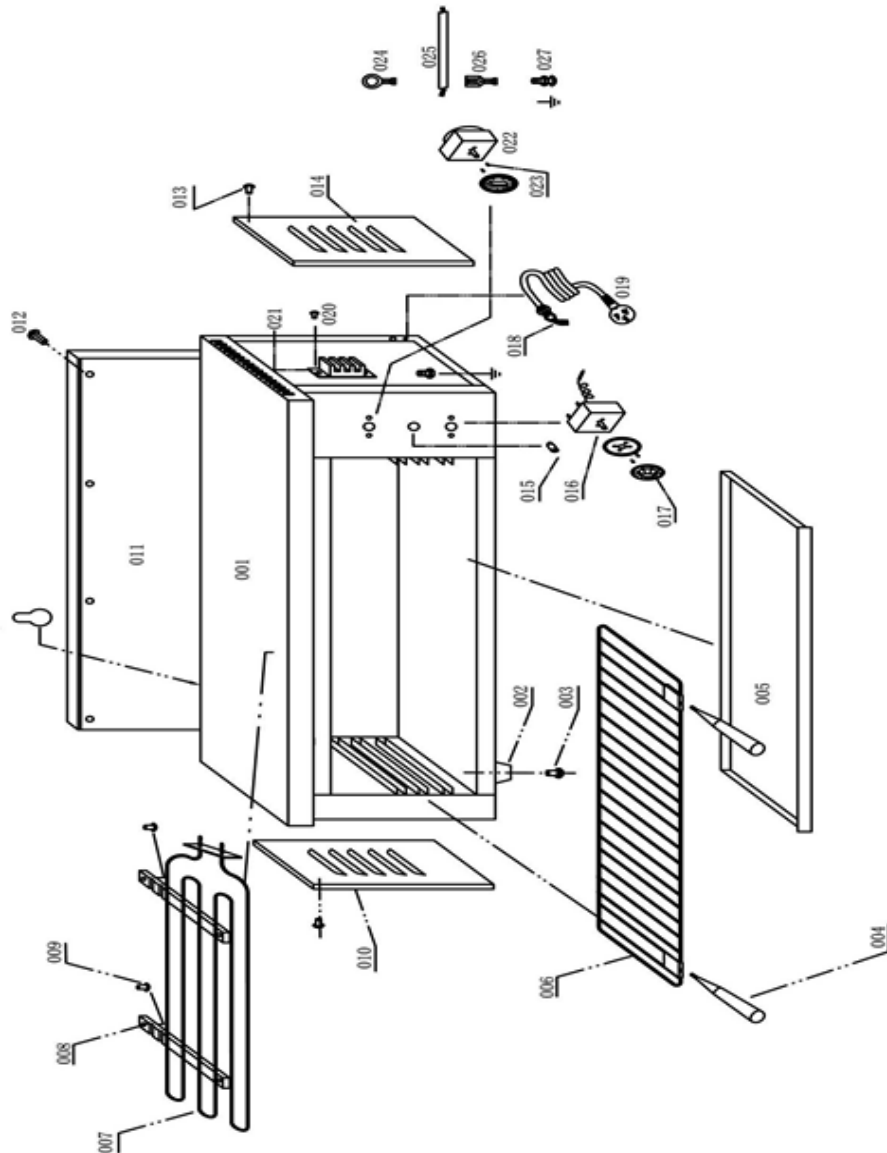
Hendi B.V.
Steenoven 21
3911 TX Rhenen
The Netherlands

Batch #
0000000


Appliance part#
264201

Description
Salamander Type 580

Date	05-11-2013	Revision #	Revision version
Revision	First bill of materials (BOM)		



Bill of materials (BOM)

 HENDI <small>FOOD SERVICE EQUIPMENT</small> Hendi B.V. Steenoven 21 3911 TX Rhenen The Netherlands	Batch #	Appliance part#
	0000000	264201
	Description	
Salamander Type 580		


Date	05-11-2013	Revision #	Revision version
Revision	First bill of materials (BOM)		

Item	Description	Part#	Quantity	Remark	Picture
1	Housing	n/a	1		
2	Feet	212073	4		
3	Screw	n/a	4		
4	Handle	904435	2		
5	Crumb tray	n/a	1		
6	Grid	904497	1		
7	Element 2200W	901731	1		
8	Holder element	n/a	2		
9	Screw	n/a	4		
10	Left cover	n/a	1		
11	Back cover	n/a	1		
12	Screw	n/a	3		
13	Screw	n/a	4		
14	Right cover	n/a	1		
15	Indicator light	912003	1		
16	Energy regulator	201121	1		
17	Knob energy regulator with graduation plate	904466	1		
18	Cord inlet with retention	912201	1		
19	Powercord	912027	1		
20	Screw	n/a	2		
21	Terminal	n/a	1		
22	Knob timer with graduation plate	931493	1		
23	Timer	904404	1		
24	Ring terminals	n/a	8		
25	Wiring set	n/a	1		
26	Blade connectors	n/a	11		
27	Grounding screw	n/a	1		

n/a -> not available

nss -> not sold separately

Circuit diagram

 HENDI FOOD SERVICE EQUIPMENT Hendi B.V. Steenoven 21 3911 TX Rhenen The Netherlands	Batch #	Appliance part#
	0000000	264201
	Description	
	Salamander Type 580	

Date	05-11-2013	Revision #	Revision version
Revision	First bill of materials (BOM)		

