

Drawing



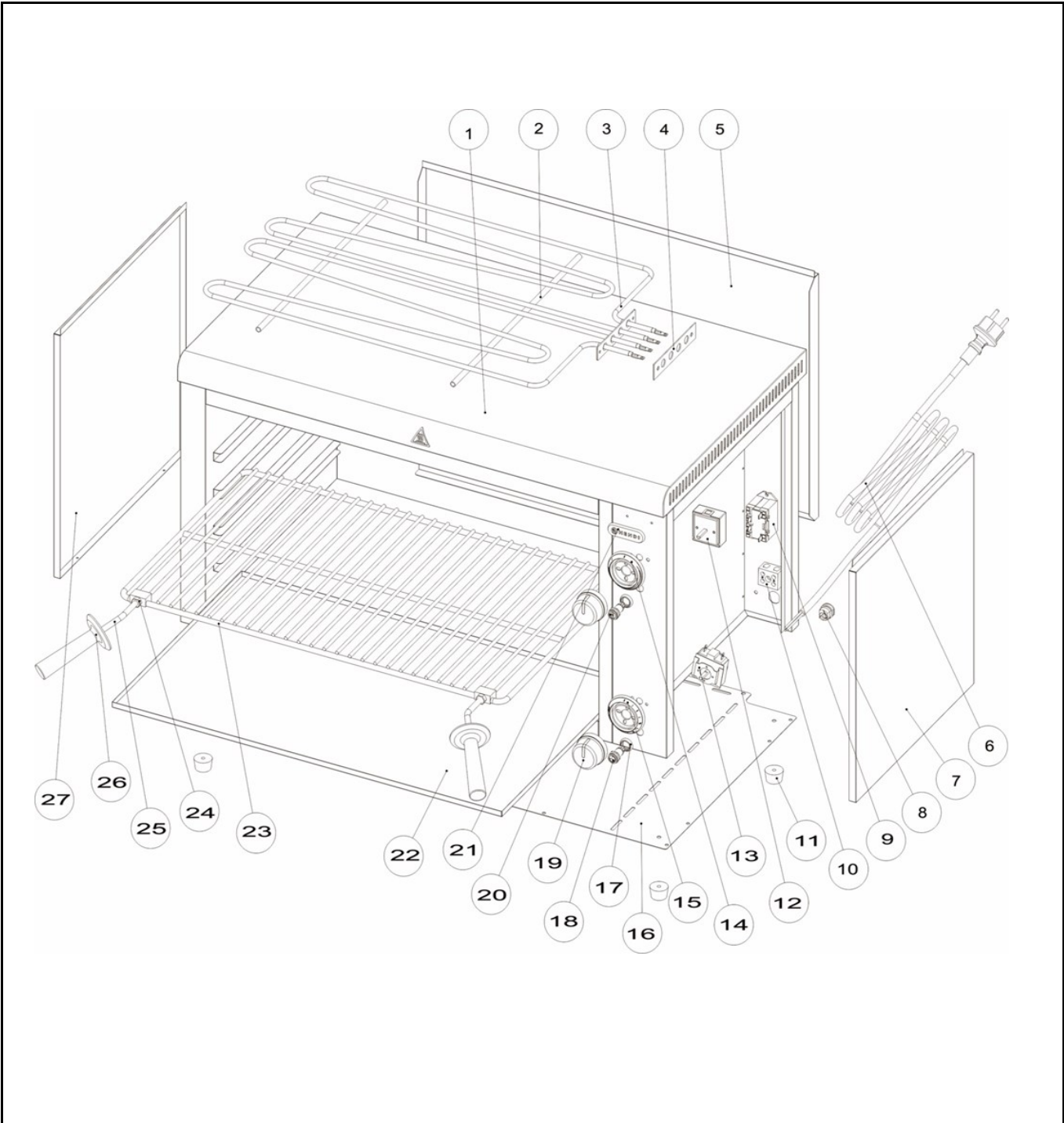
Tools for Chefs

Hendi B.V.
 Steenoven 21
 3911 TX Rhenen
 The Netherlands


Batch #	Appliance part#
HK030320 and up	264300

Description
Salamander type 800

Date	04-05-2021	Revision #	1.1
Revision	Updated control panel and circuit diagram.		



Bill of materials (BOM)

 <b style="font-size: 24px; margin-left: 10px;">HENDI <small style="color: green; margin-left: 10px;">Tools for Chefs</small> Hendi B.V. Steenoven 21 3911 TX Rhenen The Netherlands	Batch #	Appliance part#
	HK030320 and up	264300
	Description	
Salamander type 800		


Date	04-05-2021	Revision #	1.1
Revision	Updated control panel and circuit diagram.		

Item	Description	Part#	Quantity	Remark	Picture
1	Frame	n/a	1		
2	Support	n/a	2		
3	Heating element	901748	1		
4	Heating element bracket	n/a	1		
5	Back cover	n/a	1		
6	Power cord	912027	1		
7	Right cover	n/a	1		
8	Cord inlet with retention	912201	1		
9	Relais	904480	1		
10	Terminal	n/a	1		
11	Feet	n/a	4		
12	Energy regulator	943366	1		
13	Timer	943359	1		
14	Knob regulator	943342	1	Incl. item 19	
15	Knob timer	943335	1	Incl. item 19	
16	Bottom cover	n/a	1		
17	O-ring	nss	2		
18	Indicator light (green)	942925	1	Incl. item 17	
19	Knob	nss	2	Available as 943342 and 943335	
20	Indicator light (orange)	930533	1	Incl. item 17	
21	Logo badge Hendi	955963	1		
22	Crumb tray	904473	1		
23	Grid	904497	1		
24	Nut	nss	2		
25	Handle rod	nss	2		
26	Plastic handle	904435	2	Incl. item 24 and 25	
27	Left cover	n/a	1		

n/a -> not available

nss -> not sold separately

Circuit diagram

 <b style="font-size: 2em; margin-left: 10px;">HENDI Tools for Chefs Hendi B.V. Steenoven 21 3911 TX Rhenen The Netherlands	Batch #	Appliance part#
	HK030320 and up	264300
	Description	
	Salamander type 800	

Date	04-05-2021	Revision #	1.1
Revision	Updated control panel and circuit diagram.		

