

Drawing



Tools for Chefs

Hendi B.V.
Steenoven 21
3911 TX Rhenen
The Netherlands

Batch #

000000 until
HK094519

Appliance part#

203163

Description

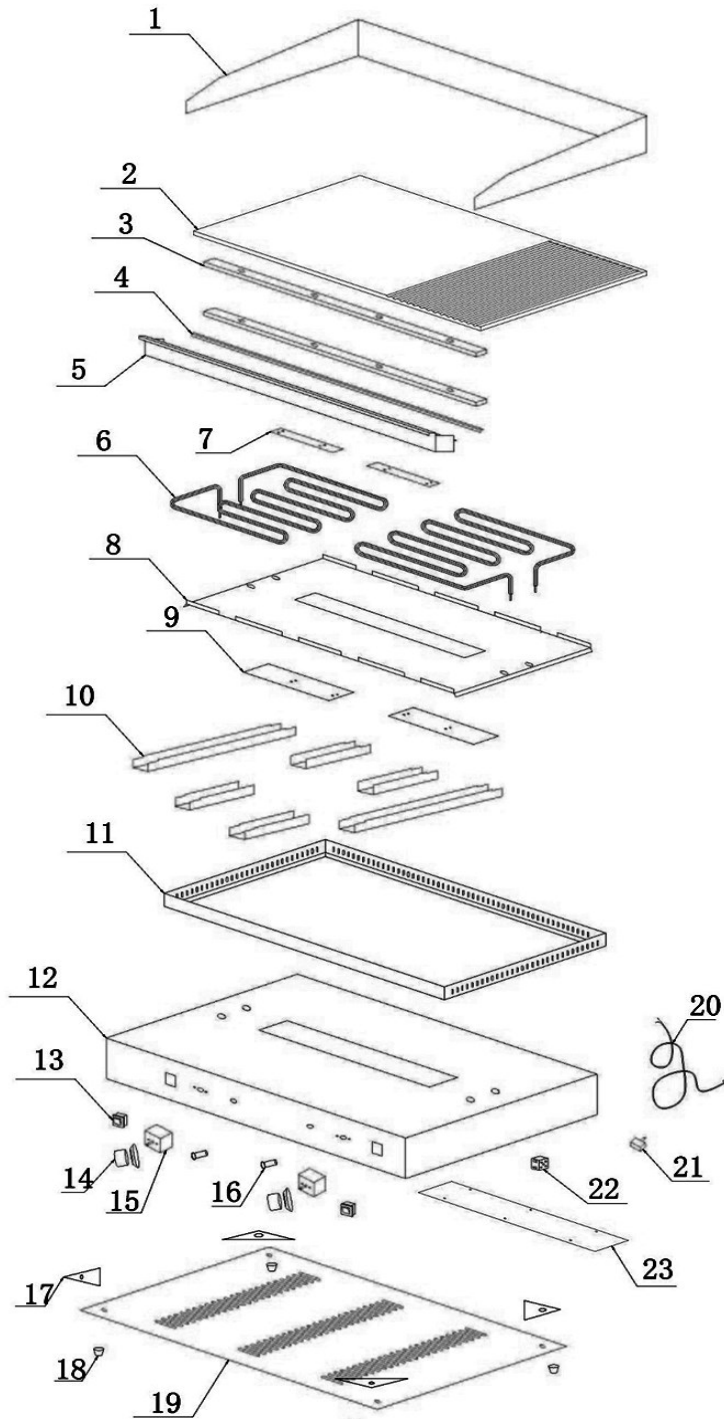
Griddle 2/3 flat, 1/3 ribbed

Date 16-04-2021


Revision #

1.0

Revision First Bill of Materials



Bill of materials (BOM)

 <b style="font-size: 24px; margin-left: 10px;">HENDI <small style="color: green; margin-left: 10px;">Tools for Chefs</small> Hendi B.V. Steenoven 21 3911 TX Rhenen The Netherlands	Batch #	Appliance part#
	000000 until HK094519	203163
	Description	
Griddle 2/3 flat, 1/3 ribbed		

Date	16-04-2021	Revision #	1.0
Revision	First Bill of Materials		

Item	Description	Part#	Quantity	Remark	Picture
1	Side cover	n/a	1		
2	Griddle plate (2/3 flat, 1/3 ribbed)	n/a	1		
3	Bracket	n/a	2		
4	Bracket	n/a	1		
5	Drip tray	929674	1		
6	Element	929919	2		
7	Probe holder	n/a	2		
8	Cover element	n/a	1		
9	Cover	n/a	2		
10	Bracket	n/a	6		
11	Upper housing	n/a	1		
12	Lower housing	n/a	1		
13	Switch	205426	2		
14	Knob	929865	2	Knob design may differ from original	
15	Thermostat	902011	2		
16	Indicator light	929889	2	Alternative 930533	
17	Mounting plate	n/a	4		
18	Feet	929896	4		
19	Bottom cover	n/a	1		
20	Power cord	930045	2		
21	Hi-limiter	929858	2		
22	Terminal	922545	2		
23	Cover	n/a	1		
*	Cordinlet with retainer	912201	2		

n/a -> not available

nss -> not sold separately

Circuit diagram



Hendi B.V.
 Steenoven 21
 3911 TX Rhenen
 The Netherlands

Tools for Chefs

Batch #

000000 until
 HK094519

Appliance part#

203163

Description

Griddle 2/3 flat, 1/3 ribbed

Date	16-04-2021	Revision #	1.0
Revision	First Bill of Materials		

