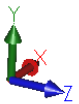


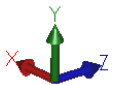
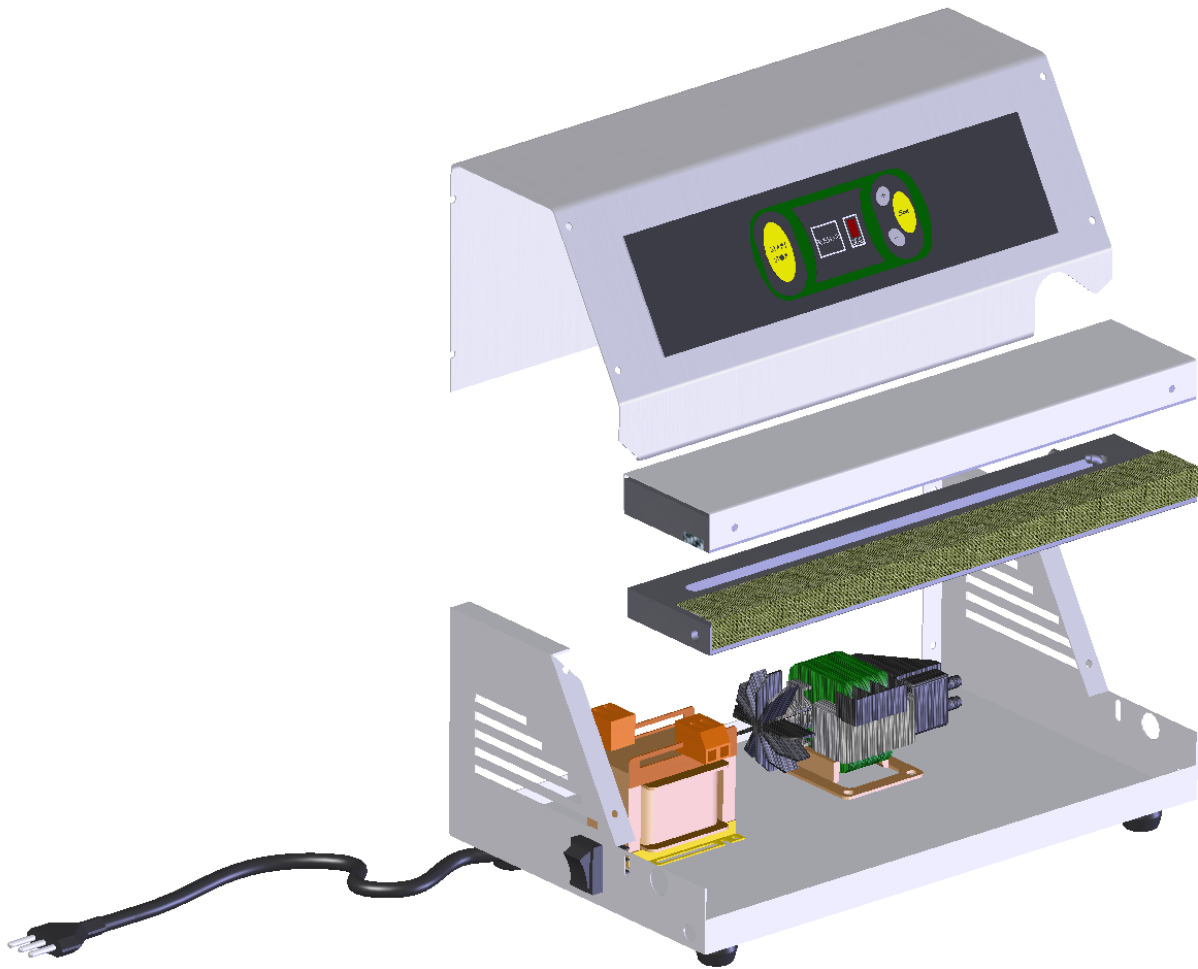
GENERAL TOTAL LINE ECONOMY



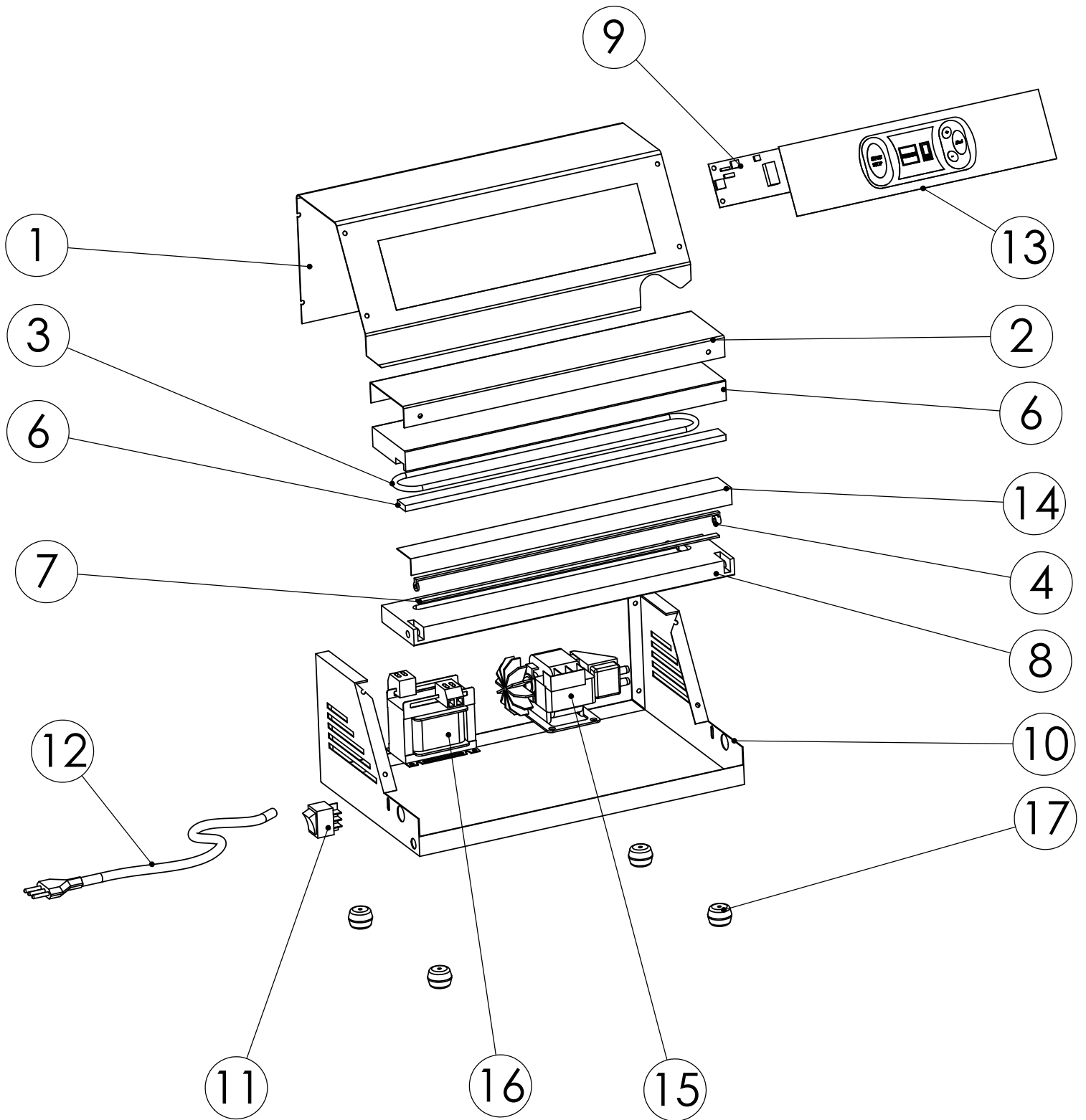
GENERAL TOTAL LINE ECONOMY



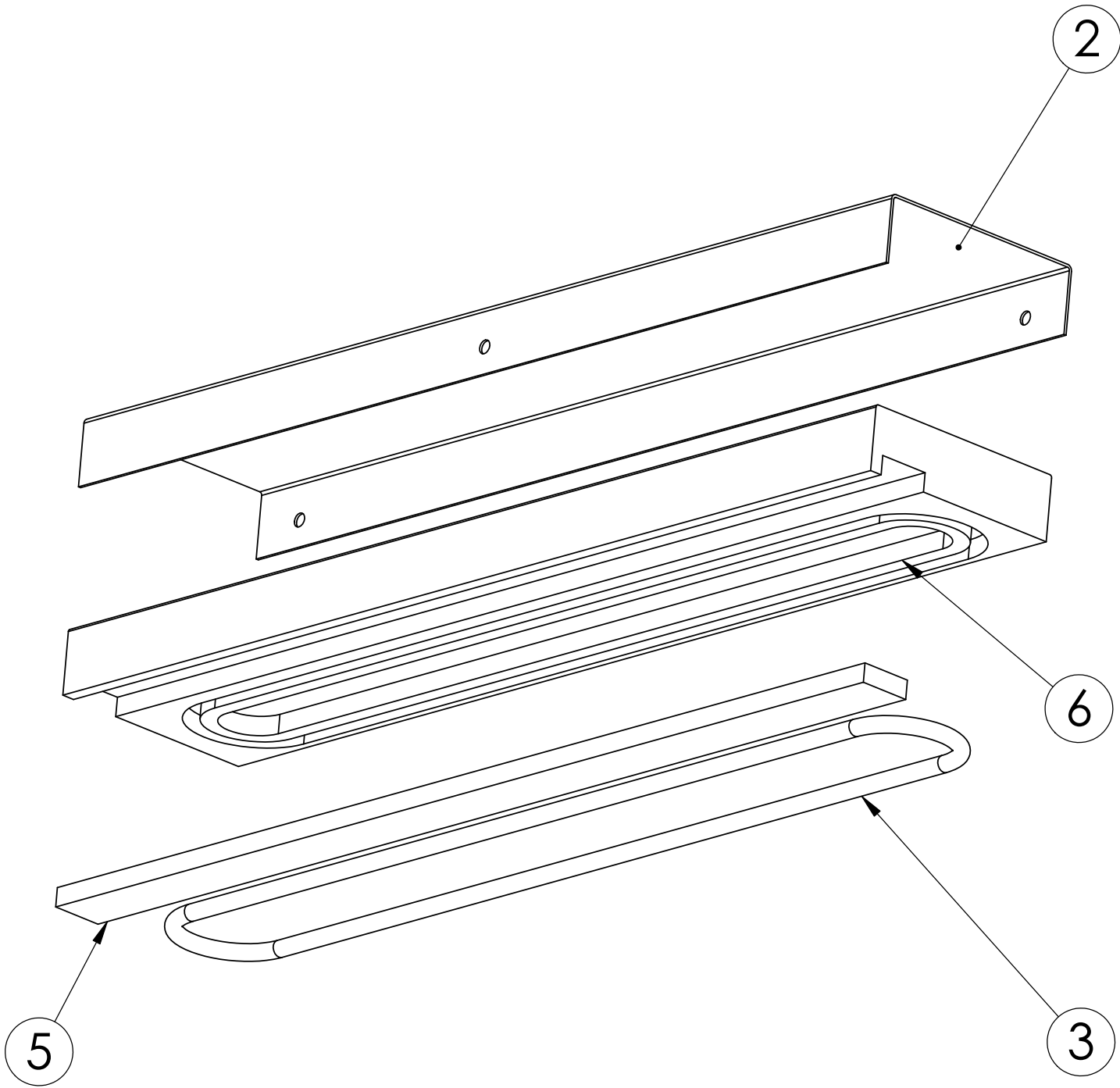
GENERAL TOTAL EXPLODED VIEW AT GROUPS LINE ECONOMY



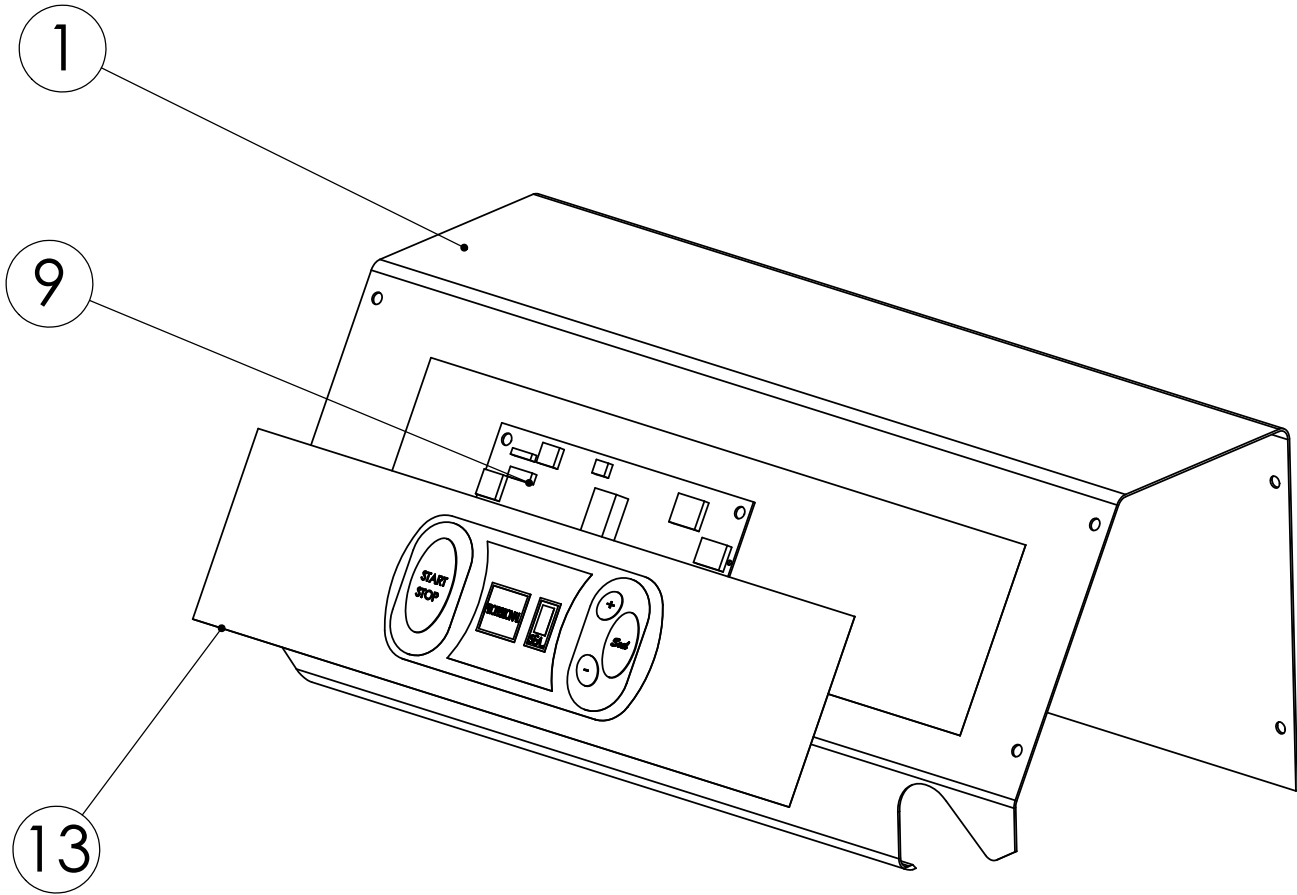
GENERAL TOTAL EXPLODED VIEW LINE ECONOMY



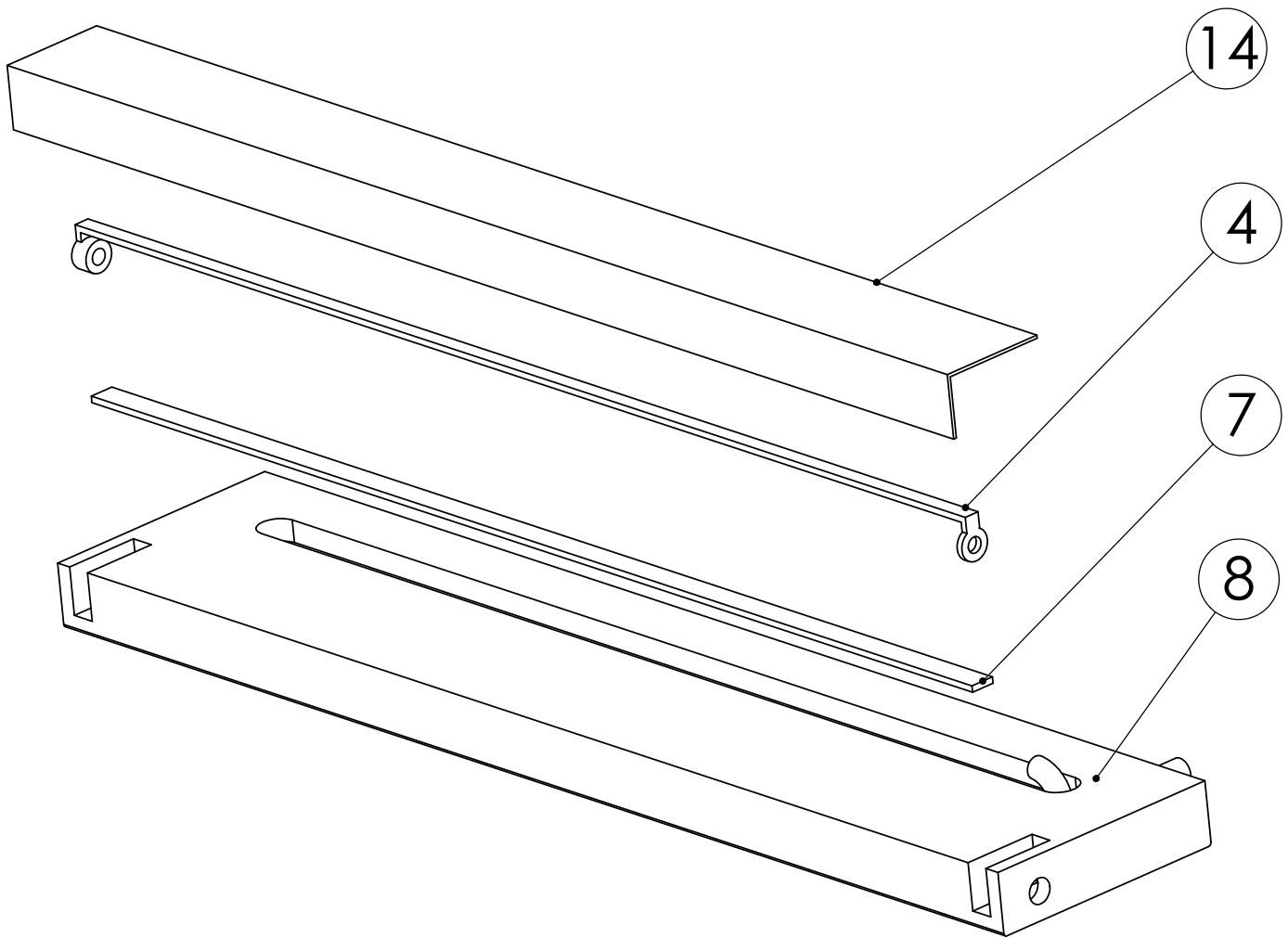
PARTICULAR EXPLODED VIEW OF UPPER PLATE LINE ECONOMY



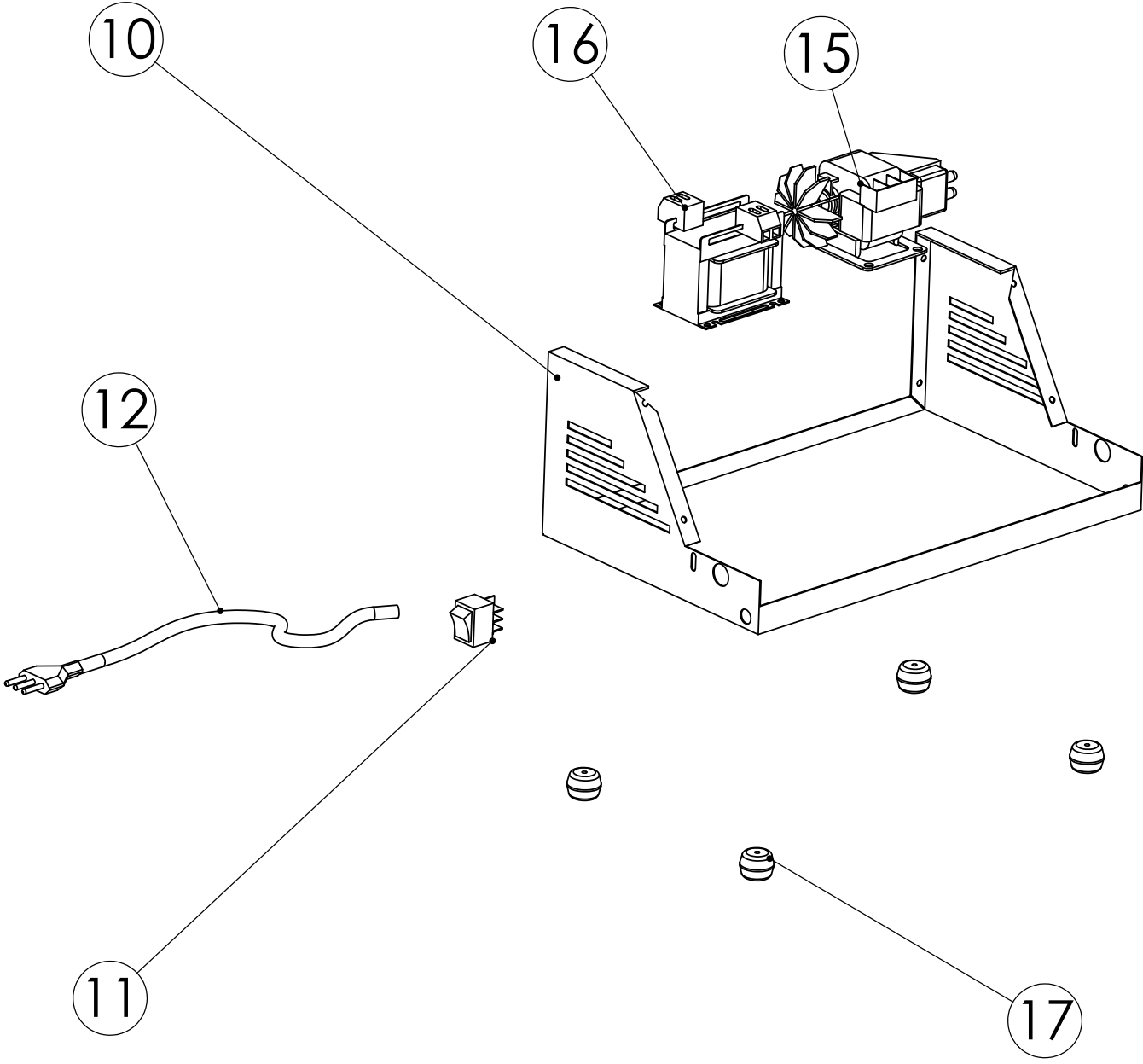
PARTICULAR EXPLODED VIEW OF CONTROL PANEL LINE ECONOMY



PARTICULAR EXPLODED VIEW OF LOWER PLATE LINE ECONOMY



PARTICULAR EXPLODED VIEW OF BASE LINE ECONOMY



ANNOTATION PARTICULAR LINE ECONOMY

- 1 - UPPER STAINLESS STEEL CABINET
- 2 - COVER UPPER PLATE OF STAINLESS STEEL
- 3 - RUBBER GASKET Cod. 0422
- 4 - ELETTRICAL RESISTANCE Cod. 0436
- 5 - LID BAR WITH SILICONE Cod. 0403
- 6 - UPPER PLATE OF POLITHILENE
- 7 - SILICONE ELETT. RESISTANCE Cod. 0404
- 8 - LOWER PLATE OF POLITHILENE
- 9 - ELETTRONIC PANNEL CARD Cod. 0441
- 10 - LOWER BASE OF STAILESS STEEL
- 11 - LINE SWITCH Cod. 0416
- 12 - POWER SUPPLY CABLE
- 13 - CONTROL PANNEL
- 14 - TEFLON CLOTH Cod. 0460
- 15 - VACUUM PUMP
- 16 - ELETTRICAL TRASFORMER Cod. 0471
- 17 - RUBBER FEET Cod. 0431