

Drawing



HENDI

Tools for Chefs

Hendi B.V.

Steenoven 21
3911 TX Rhenen
The Netherlands

Batch #

HK080020 and
up

Appliance part#

268506

Description

Suasage rolling grill (7 rollers)

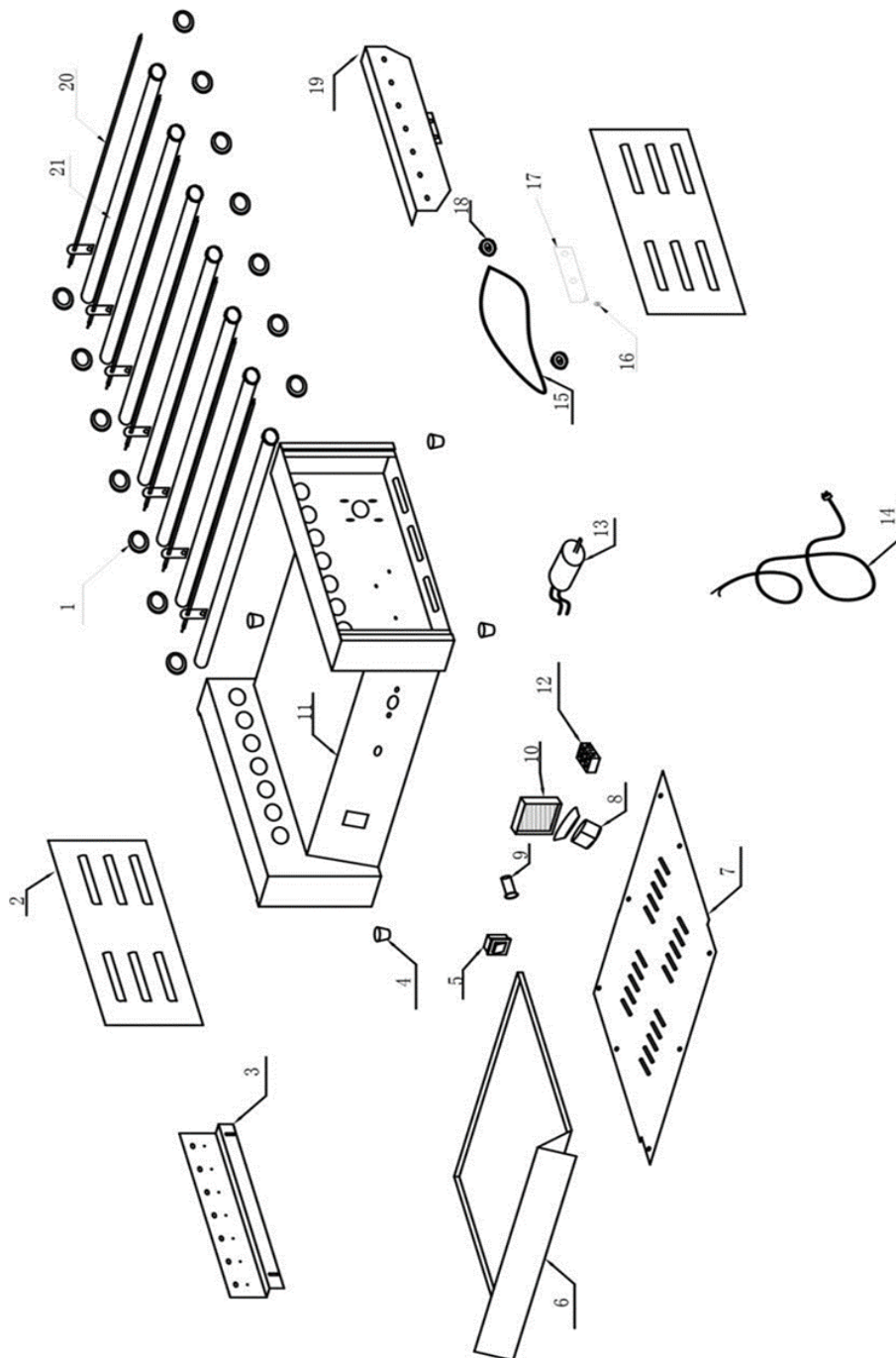
Date 07-05-2021

Revision #


1.2

Revision

Updated control panel and circuit diagram.



Bill of materials (BOM)

 <b style="font-size: 24px; margin-left: 10px;">HENDI <small style="color: green; margin-left: 10px;">Tools for Chefs</small> Hendi B.V. Steenoven 21 3911 TX Rhenen The Netherlands	Batch #	Appliance part#
	HK080020 and up	268506
	Description	
	Suusage rolling grill (7 rollers)	


Date	07-05-2021	Revision #	1.2
Revision	Updated control panel and circuit diagram.		

Item	Description	Part#	Quantity	Remark	Picture
1	Ring for tube	932315	14		
2	Side cover	n/a	2		
3	Bracket element (left)	n/a	1		
4	Feet	932322	4		
5	Switch	205426	1		
6	Crumb tray	932339	1		
7	Bottom cover	n/a	1		
8	Knob "Hendi branding"	904466	1		
9	Indicator light	930533	1		
10	Energy regulator	201121	1		
11	Frame	n/a	1		
12	Terminal	n/a	1		
13	Motor	932285	1		
14	Power cord	930038	1		
15	Drive chain	932384	1		
16	Tension spring	932421	1		
17	Clamping plate	932438	1		
18	Gear for motor	932445	1		
19	Bracket element (right)	n/a	1		
20	Element	932452	7		
21	Rol	932469	7		
22	Gear for clamping plate	932476	1		
*	Logo badge Hendi	955963	1	Not shown on drawing	

n/a -> not available

nss -> not sold separately

Circuit diagram

 <b style="font-size: 24px; margin-left: 10px;">HENDI Tools for Chefs Hendi B.V. Steenoven 21 3911 TX Rhenen The Netherlands	Batch #	Appliance part#
	HK080020 and up	268506
	Description	
	Suusage rolling grill (7 rollers)	

Date	07-05-2021	Revision #	1.2
Revision	Updated control panel and circuit diagram.		

