
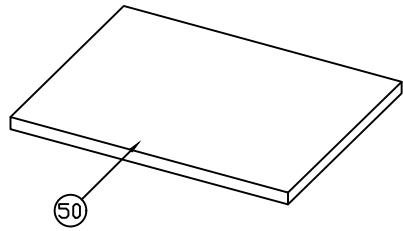
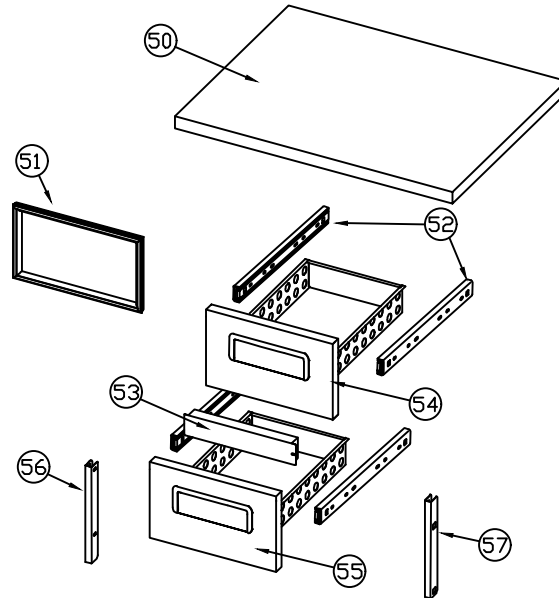


DATE:2020/01/13	VERSION:A1	ADD BOTTOM SHELF AS OPTIONAL	DESIGN BY:Alberto
DATE:2019/08/21	VERSION:A0	DESCRIPTION	DESIGN BY:
 RIGHTWAY ASIA	SCALE	MODEL	Q. TY
	1:1	S900 Range	
MATERIAL:ST1/ST2	S 900 Range EXPLODED VIEW		
DESIGN BY:Camilla	CATEGORY	TYPE	GROUP
APPROVED BY:Alberto	EV	4AA0	A1
DATE:2019/08/21			PART N°
			2900

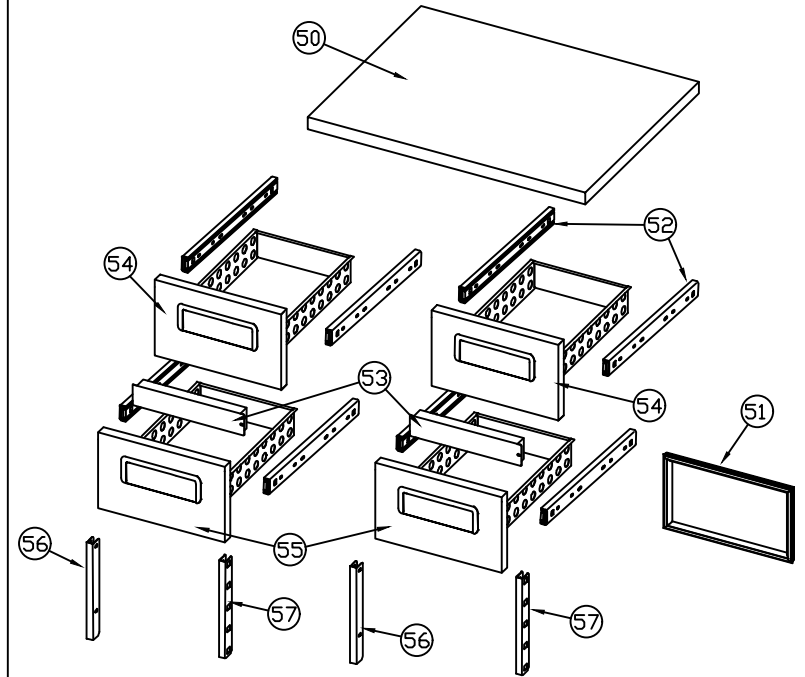
MODEL: S901 SS TOP (4AA0)



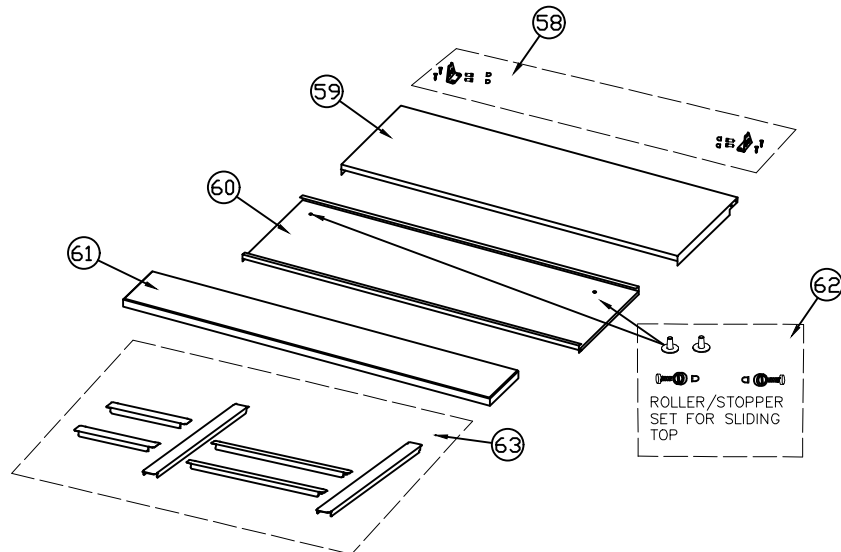
MODEL: S901-2D (4AA2)




MODEL: S901-4D (4AA3)

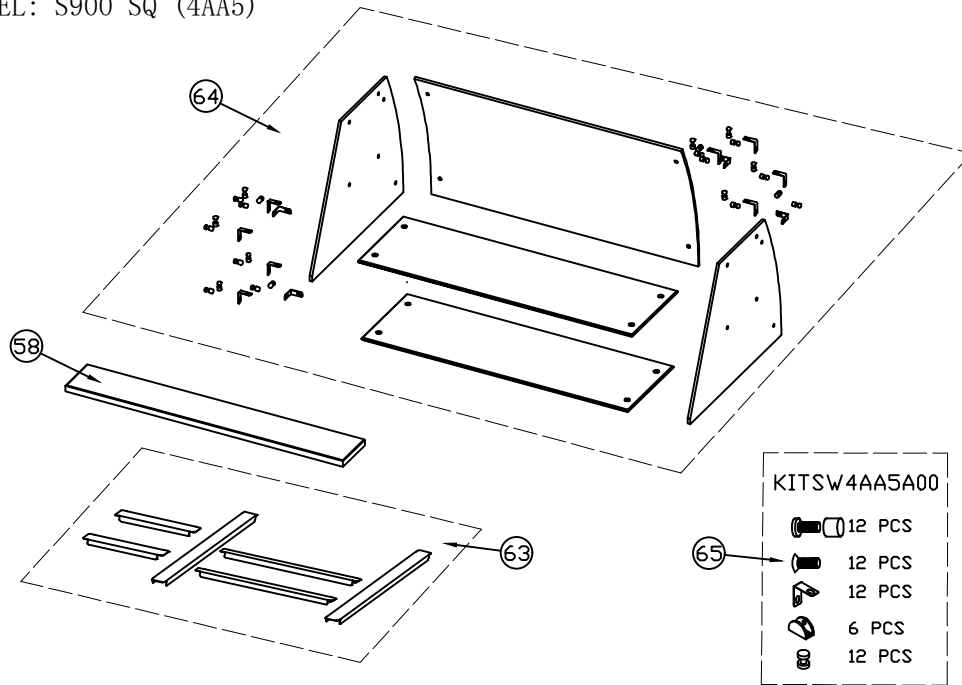


MODEL: S900 STD (4AA4)

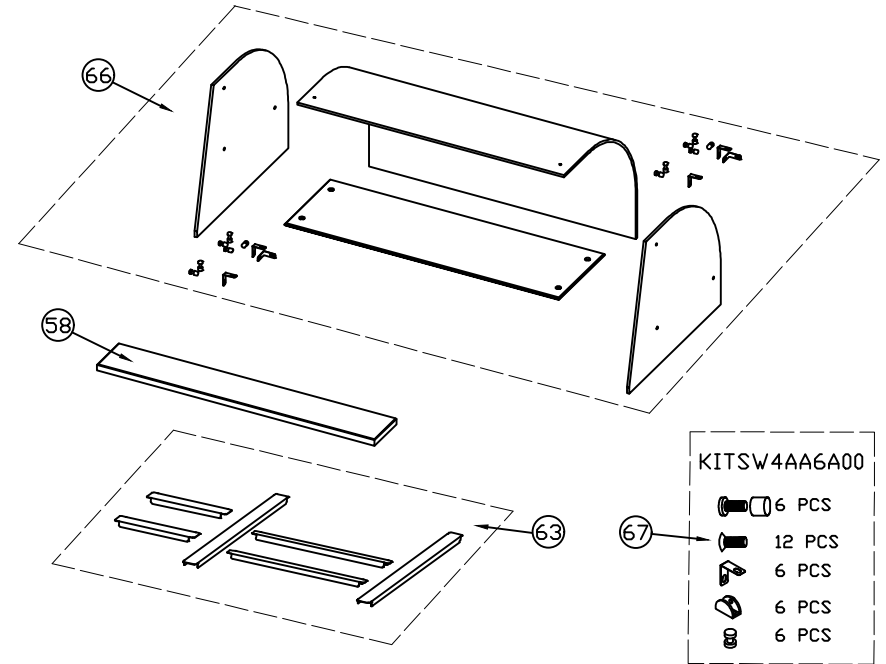


DATE:2020/01/13	VERSION:A1	ADD BOTTOM SHELF AS OPTIONAL	DESIGN BY:Alberto
DATE:2019/08/21	VERSION:A0	DESCRIPTION	DESIGN BY:
	SCALE	MODEL	Q. TY
	1:1	S900 Range	
MATERIAL:ST1/ST2		S 900 Range TOP selection	
DESIGN BY:Camilla		CATEGORY	TYPE
APPROVED BY:Alberto		GROUP	PART N°
DATE:2019/08/21		EV	4AA0
		A1	2900

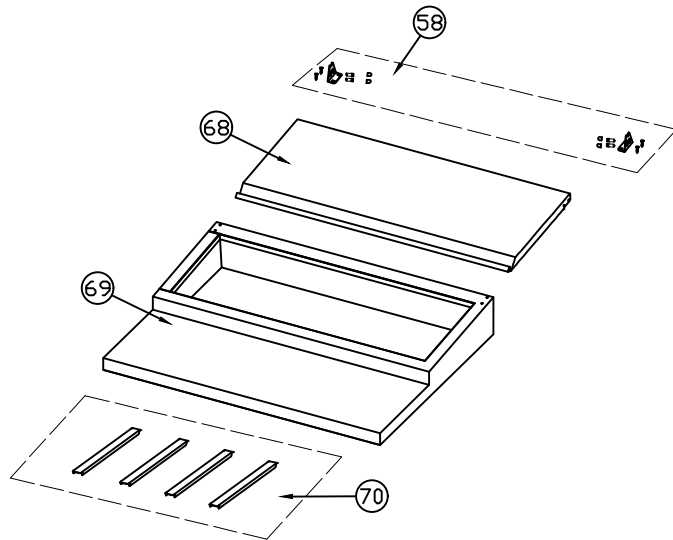
MODEL: S900 SQ (4AA5)



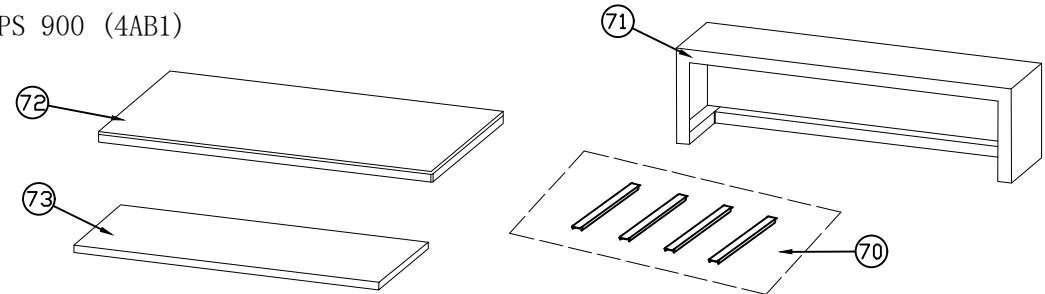
MODEL: S900 CG (4AA6)




MODEL: PS 200 (4AB4)



MODEL: PS 900 (4AB1)



DATE:2020/01/13	VERSION:A1	ADD BOTTOM SHELF AS OPTIONAL	DESIGN BY:Alberto
DATE:2019/08/21	VERSION:A0	DESCRIPTION	DESIGN BY:
	SCALE	MODEL	Q. TY
	1:1	S900 Range	
MATERIAL:ST1/ST2	S 900 Range TOP selection		
DESIGN BY:Camilla	CATEGORY	TYPE	GROUP
APPROVED BY:Alberto	EV	4AA0	A1
DATE:2019/08/21			PART N°
			2900

Item Descr	S 901 SS TOP				
BOM Num	1				
Build Quan	1				
Fixed Cost	0				
Remark					
Unit	pc				
BOM Components					
Lev. 0	Item Number	Descr	Quantity	u.m.	Spare Part
	EV4AA0A12900	S 900 Ser. - 2 DOORS RANGE EXPLODED VIEW DRAWING(Ver.A1-S29)	1	pc	1
1	S14AA00A0006	S 900 Ser. - ASSEMBLED FOAMED BODY - (S29)	1	pc	1
2	S14AA02A0020	S 90x Ser. - BOTTOM DOOR PIVOT FOR HINGE (Solid door - S29)	2	pc	1
3	S14AA02A0019	S 90x Ser. - RIGHT/LEFT BOTTOM HINGE - (Solid door - S29)	2	pc	1
4	P04AA03A0010	S 90x Ser. - DRAIN PIPE JUNCTION (Inc. CAP + NUT - S29)	1	pc	1
5	S14AA01A0016	S 900 Ser -UPPER BAR FOR FIX TOP/DOOR PIVOT(Solid door-S29)	1	pc	1
6	S14AA01A0015	S 90x Ser. - UPPER/BOTTOM MULLION HOLDER - (S29)	1	pc	1
7	S14AA01A0014	S 90x Ser. - CENTRAL MULLION - (NO Heated/Solid Door - S29)	1	pc	1
8	S14AA02A0021	S 90x Ser. - UPPER DOOR PIVOT FOR BAR - (S29)	2	pc	1
9	P04AA02A0022	S 90x Ser. - SEAT FOR DOOR PIVOT - (Upper/Bottom - S29)	8	pc	1
10A	E25EUB307518	POWER CORD 3x0,75 mmq - EU PLUG - BLACK COLOR 1.8 Mt	1	pc	1
10B	E25UKB307518	POWER CORD 3x0,75 mmq - UK PLUG - BLACK COLOR 1.8 Mt	1	pc	1
10C	E25AUB307518	POWER CORD 3x0,75 mmq - AUSTRALIAN PLUG - BLACK COLOR 1.8 Mt	1	pc	1
10D	E25INB307525	POWER CORD 3x0,75 mmq - INDIA PLUG - BLACK COLOR 2.5 Mt	1	pc	1
11	KITFT4AA0B00	S 90x Ser. - FEET and ROLLER SET - (2 feet + 2 roller - S29)	1	pc	1
12	E27B2L3C0000	NUH45LA COMP.CUBIGEL R290-220/240V 50Hz-2/5 HP CSIR:	1	pc	1
13	I06AB33A0004	RC 300/S 90x Ser. -PLATE FOR WATER TRAY - (S29)	2	pc	1
14	P06AB33A0003	RC 300/QR 350/CR 350/S 90x Ser. - WATER TRAY - (S29)	1	pc	1
15	C04AA06A0010	S 90x Ser. - DISCHARGE PIPE - (S29)	1	pc	1
16	P04AA03A0011	S 90x Ser. - WATER TRAY PIPE - (S29)	1	pc	1
17	Z04AA03A0013	S 90x Ser. - SUPPORT FOR CONDENSER FAN - (S29)	1	pc	1
18	E17A1A400000	ZCF200 FAN:SHEDED POLE, 220V;50/60Hz; CABLE LENGHT 300mm	1	pc	1
19	E181P1902801	FAN BLADE D.190mm-28*-PLASTIC	1	pc	1
20	S44AA08A0008	S 900 Ser. - CONDENSER FAN CONVEYOUR - (S29)	1	pc	1
21	I04AA08A0007	S 90x Ser. - WIRE CONDENSER - (2 and 3 Doors range - S29)	1	pc	1
22	C06AB36A0003	RC 300/BTL Ser./QR 350/S 90x Ser. - DRYER FILTER - (S29)	1	pc	1
23	C04AA06A0009	S 90x Ser. - CAPILLARY (L.3200mm/D.Int.0.9/Ext.2.2mm-S29)	1	pc	1
24	R04AA02A0018	S 90x Ser. - SOLID DOOR GASKET - (Dim.400X485mm - S29)	2	pc	1
25	S14AA02A0017	S 90x Ser. - SOLID DOOR SET (Inc.GASKET and PIVOT SEAT -S29)	2	pc	1
26	KITGD4AA0C00	S 90x Ser. - SHELVES GUIDE SET - (1 Left + 1 Right - S29)	2	pc	1
27	S14AA09A0011	S 90x Ser. - SIDES and FRONT/CENTRAL VERTICAL SUPPORT- (S29)	6	pc	1
28A	I04AA09A0010	S 90x Ser. - GN1/1 SHELF - (Dim. 333x560mm - S29)	2	pc	1
28B	I04AA09A0016	S 90x Ser. - GN1/1 BOTTOM SHELF - (Dim. 333x560x57mm - S29)	2	pc	1
29	S14AA09A0012	S 90x Ser. - REAR/CENTRAL LEFT VERTICAL SUPPORT - (S29)	1	pc	1
30	S14AA09A0013	S 90x Ser. - REAR/CENTRAL RIGHT VERTICAL SUPPORT - (S29)	1	pc	1
31	S14AA09A0014	S 90x Ser. - UPPER COVER FOR INNER FAN - (S29)	1	pc	1
32	E17D1A161400	SF1238HA2 SOTOP FAN: 230V;50/60Hz; CABLE LENGHT 280mm	1	pc	1
33	E212AA030B01	NTC PROBE - CABLE 3000 mm BLACK Color (Temperature)	1	pc	1
34	Z04AA03A0009	S 900 Ser. - ENGINE PLATE - (S29)	1	pc	1
35	P02BA01A0003	CR Count./S 901/QB Ser-BOX SET (Switch/Thermostat-S29/S10)	1	pc	1
36	Z04AA01A0013	S 90x Ser. - FRONT PANEL HOLDER BAR - (S29)	3	pc	1
37	S14AA11A0012	S 900 Ser. - SOLID DOOR FRONT PANEL (2 DOOR Range - S29)	1	pc	1
38	S14AA01A0018	S 90x Ser. - PLASTIC COVER FOR SCREW - (S29)	4	pc	1
39	E20A121C0D01	XR02CX-5N4C7 DIXELL THERMOSTAT (DX-XOLICBVS1-I00)	1	pc	1
40	E2304GR00001	RL2(P)-MAIN SWITCH RLEIL: TYPE RL2(P)-21/N-2-GR/BK-P1-2	1	pc	1
41	Z04AA03A0012	S 900 Ser. - REAR/BOTTOM REINFORCE BAR - (S29)	1	pc	1
42	I04AA09A0015	S 900 Ser. - ENGINE ROOM SAFETY GRID - (S29)	1	pc	1
50	S14AA01A0017	S 901/S 901-2D/S 901-4D Ser. - S/S SOLID TOP - (S29)	1	pc	1
51	R04AA25A0006	S 901-2D/S 901-4D Ser. - DRAWER GASKET - (S29)	1	pc	1
52	KITGD4AA2D00	S 901-2D/4D Ser. -DRAWER GUIDE SET (1 Left+1 Right - S29)	1	pc	1
53	S54AA25A0007	S 901-2D/S 901-4D Ser. - HORIZONTAL MULLION - (S29)	1	pc	1
54	S14AA25A0005	S 901-2D/S 901-4D Ser. - UPPER/RIGHT-LEFT DRAWER - (S29)	1	pc	1
55	S14AA25A0007	S 901-2D/S 901-4D Ser. - BOTTOM/RIGHT-LEFT DRAWER - (S29)	1	pc	1
56	S14AA25A0008	S 901-2D/S 901-4D Ser. - FRONTAL LEFT SUPPORT DRAWER - (S29)	1	pc	1

57	S14AA25A0009	S 901-2D/S 901-4D Ser.- FRONTAL RIGHT SUPPORT DRAWER - (S29)	1	pc	1
58	KITSP4AA4C00	S 90x STD/PS 200/PS 300 - SUPPORT KIT SLIDING/LID TOP -(S29)	1	pc	1
59	S14AA41A0008	S 900 STD - REAR FIX OPEN TOP - (S29)	1	pc	1
60	S14AA41A0009	S 900 STD - FRONT MOVABLE OPEN TOP(N.2 Rollers - S29)	1	pc	1
61	N04AA41A0010	S 900 STD/SQ/CG - FRONTAL CUTTING BOARD - (S29)	1	pc	1
62	KITRL4AA4A00	S 90x STD -ROLLER and STOPPER KIT FOR MOVABLE OPEN TOP-(S29)	1	pc	1
63	KITSR4AA4C00	S 900 STD/SQ/CG - SPACER KIT FOR PANS SUPPORT- (S29)	1	pc	1
64	KITGS4AA5C00	S 900 SQ - GLASS KIT - (Square shape - S29)	1	pc	1
65	KITSW4AA5A00	S 900 SQ - SCREW KIT FOR GLASS SET - (Square shape - S29)	1	pc	1
66	KITGS4AA6A00	S 900 CG - GLASS KIT - (Curve shape - S29)	1	pc	1
67	KITSW4AA6A00	S 900 CG - SCREW KIT FOR GLASS SET - (Curve shape - S29)	1	pc	1
68	S14AB41A0008	PS 200 - TOP OPEN LID - (S29)	1	pc	1
69	S14AB41A0007	PS 200 - FIX TOP WITH PANS HOLE - (S29)	1	pc	1
70	KITSR4AB1C00	PS 900/PS 200 - SPACER KIT FOR PANS SUPPORT - (S29)	1	pc	1
71	S14AB11A0007	PS 900 - UPPER COVER FOR PANS - (S29)	1	pc	1
72	G14AB11A0008	PS 900 - GRANITE TOP - (S29)	1	pc	1
73	A04AB11A0009	PS 900 - BOTTOM INSULATION LAYER - (Dim.825x335mm - S29)	1	pc	1