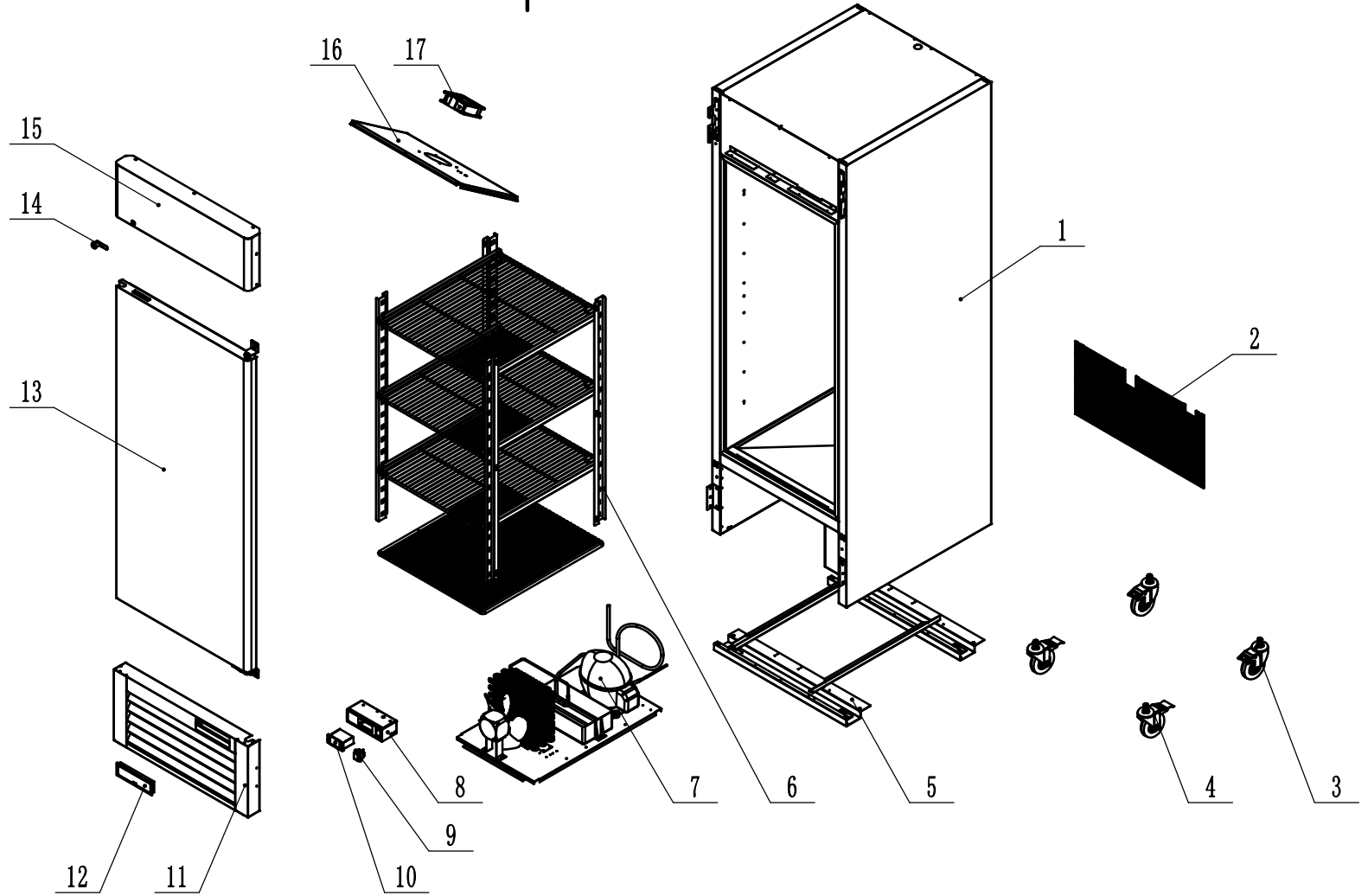
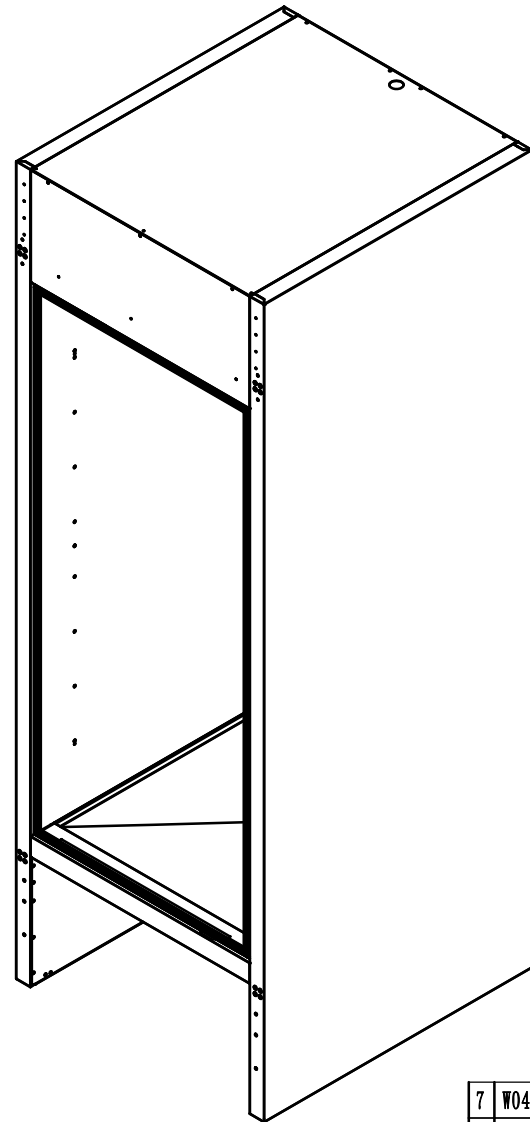
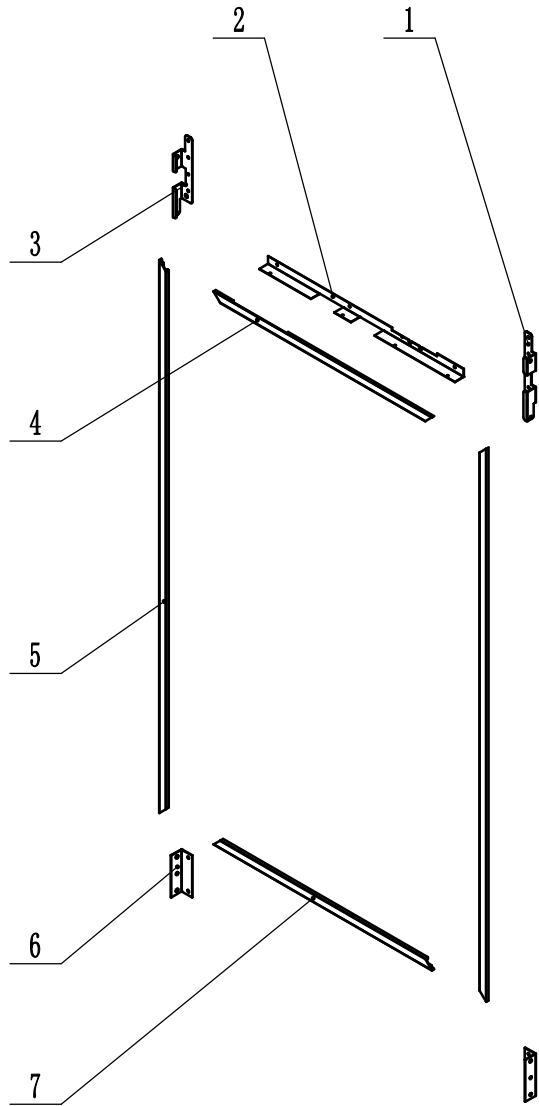


1 MBL8950GR



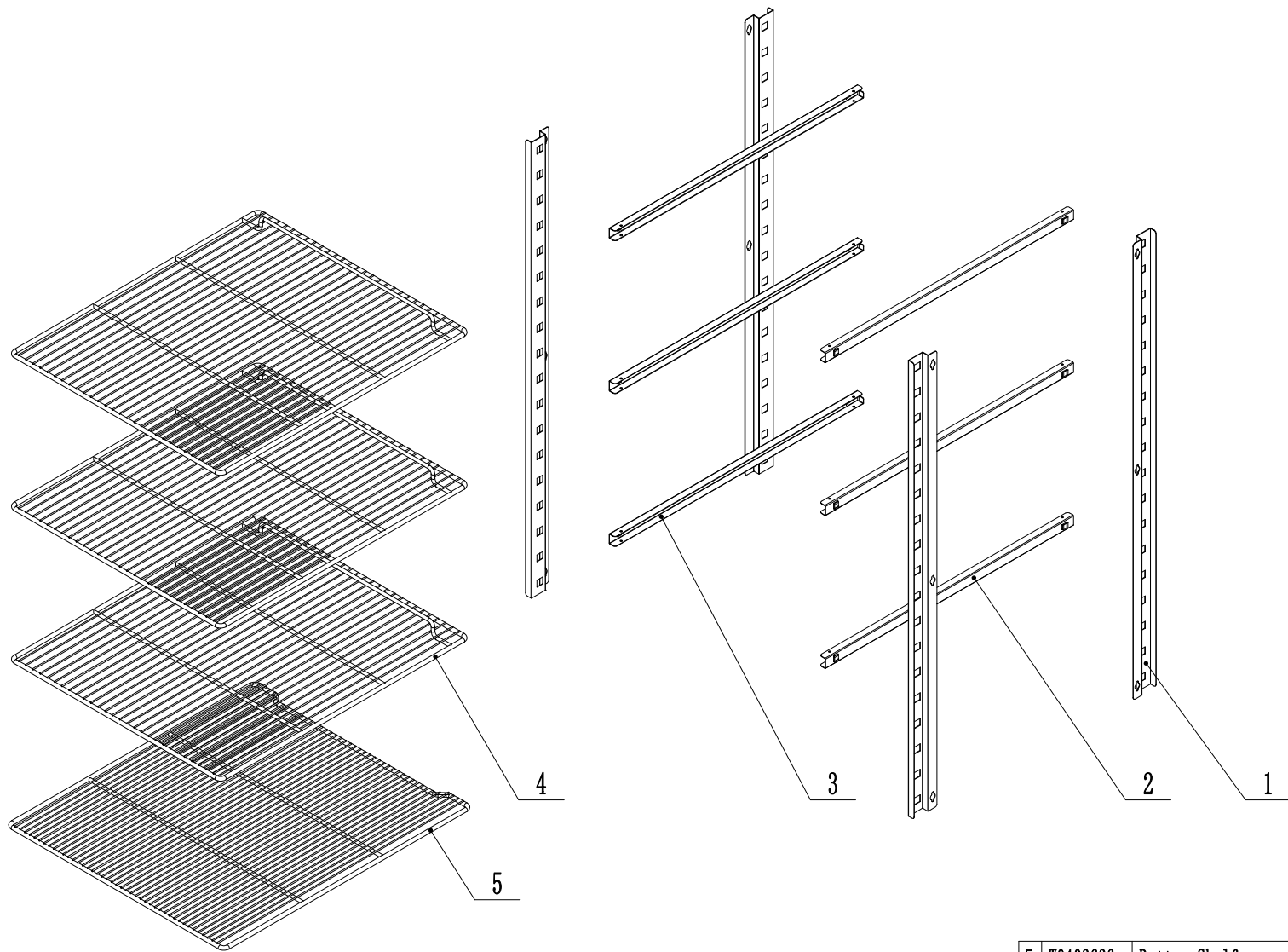
17	W0301011	Motor	12038风机		1	8	W04098831	Controller Braket	温控支架		1	
16	89501201	Motor Panel	风机安装板		1	7	8950GR-CCA	Comp&Cond Assembly	机组组件		1	
15	89501406	Top Panel	上前罩		1	6	8950-SA	Shelf Assembly	食品架组件		1	
14	W0604007	Lock	冰箱锁		1	5	85010460	Bottom Bracket	箱体底杠组装图		1	
13	8950-DA	Door Assembly	门体组件		1	4	B0604421	4" Castor With Brake	4吋带刹车重磅万向轮		2	
12	W0409882	Controller Cover	翻盖组件		1	3	B0604413	4" Castor Without Brake	4吋重磅万向轮		2	
11	89501400	Bottom Panel Assembly	下罩板组件		1	2	W0402273	Wire cage	保护网		1	
10	W0302167	Digital Controller	电子温控器		1	1	8950-CA	Cabinet Assembly	箱体组件		1	
9	W0308019	Power Switch	电源开关		1							
						序号	Material code	English Name	Chinese Name	MATERIAL	QUANTITY	Remark

8950-CA



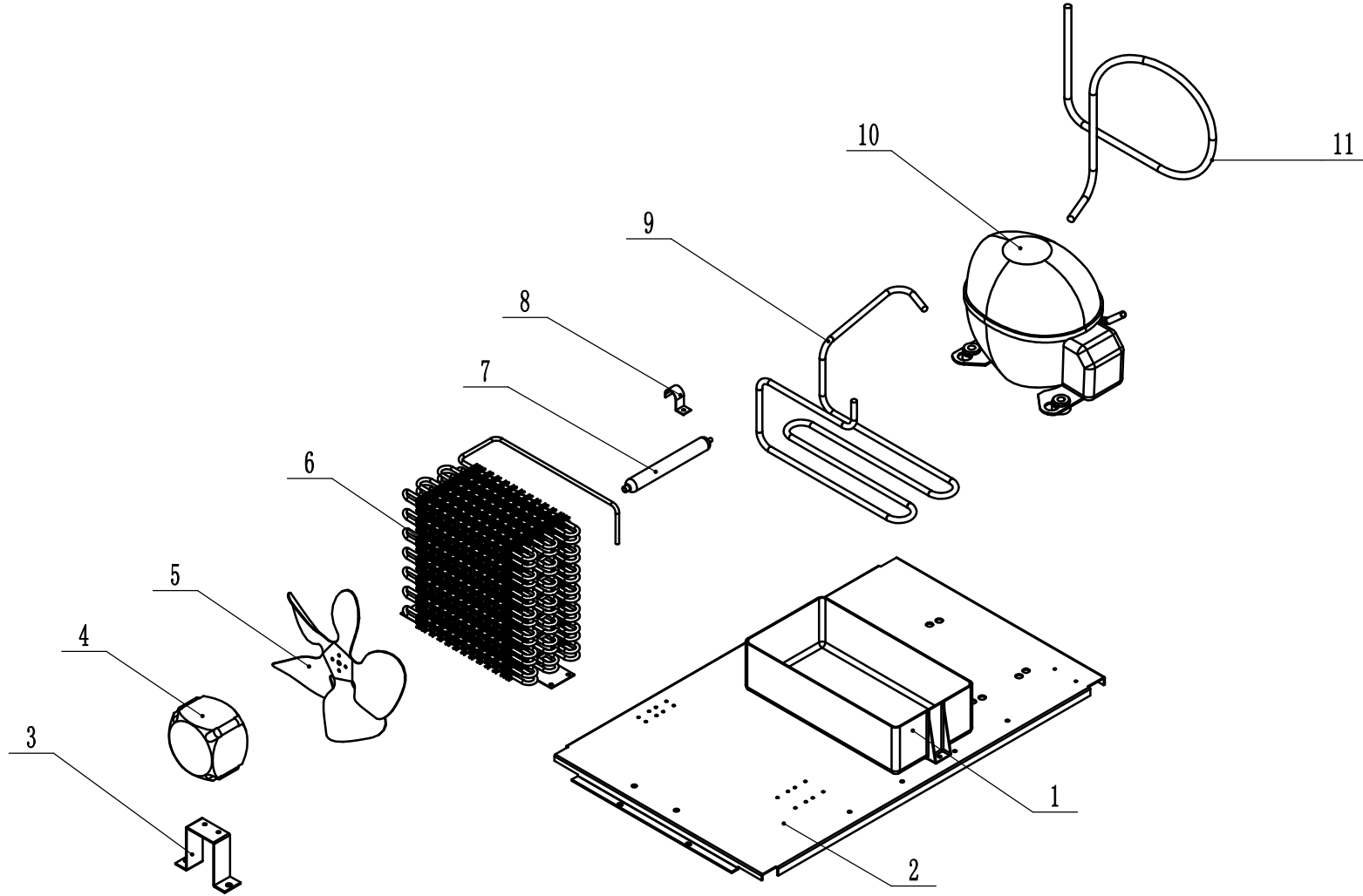
7	W0410456	Bottom Frame Cover	箱体下接口盖		1	
6	85041801	Fastener For Bottom Panel	下罩板固定件		2	
5	W0410446	Left-Right Frame Cover	箱体左右接口盖		2	
4	W0410455	Top Frame Cover	箱体上接口盖		1	
3	85041610	Left Fastener For Top Panel	前罩板固定件(左上)		1	
2	85041611	Right Fastener For Top Panel	前罩板(右下)固定件		1	
1	85041609	Right Fastener For Top Panel	前罩板固定件(右上)		1	
序号	Material code	English Name	Chinese Name	MATERIAL	QUANTITY	Remark

8950-SA



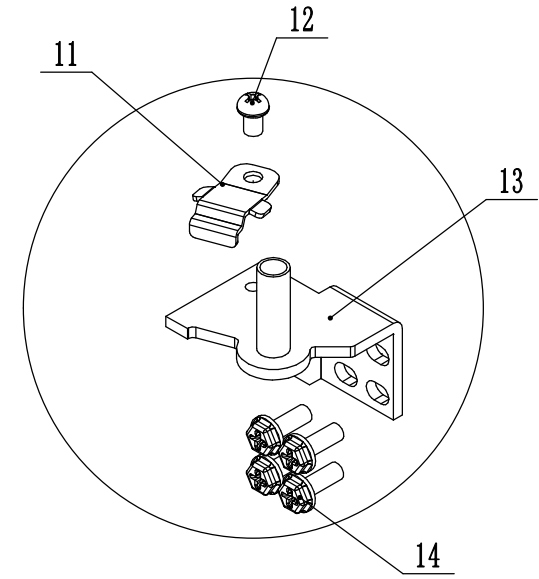
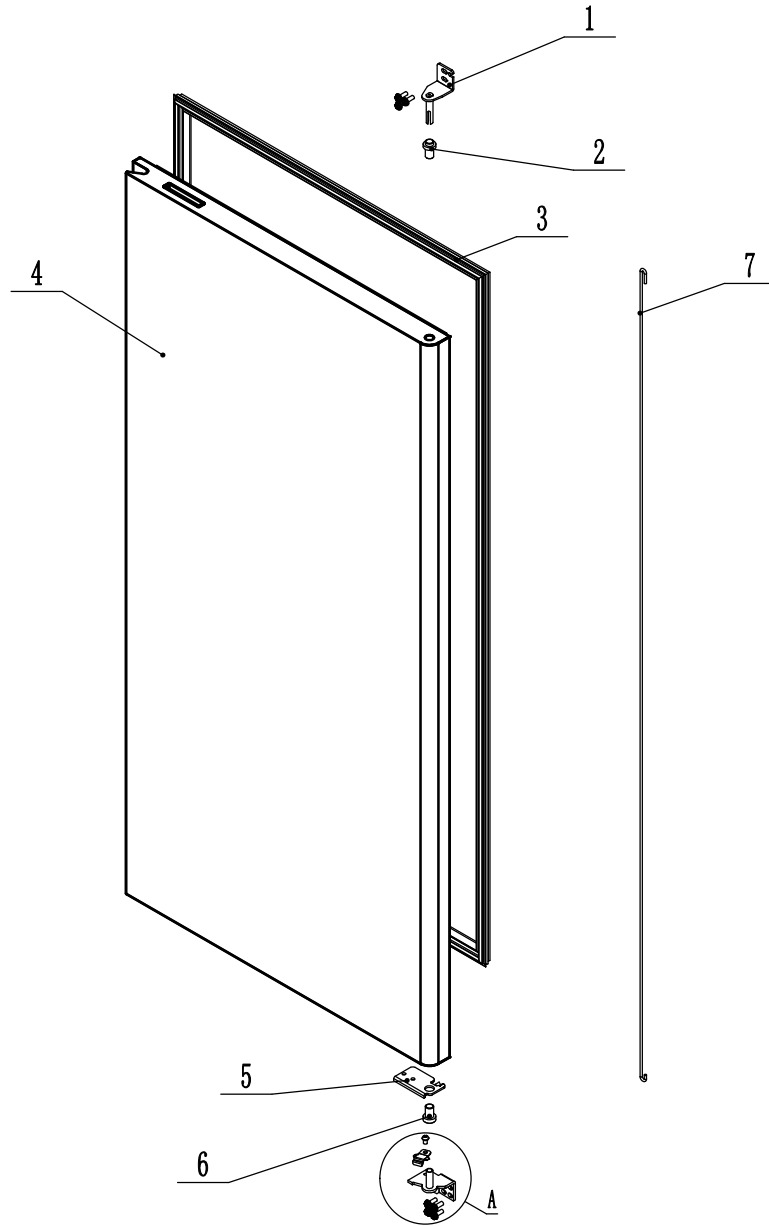
5	W0402626	Bottom Shelf	底层食品架		1	
4	W0402040	Shelf	食品架		3	
3	80037407	shelf left chute	隔条(滑槽)左	SUS201	3	
2	80037408	shelf right chute	隔条(滑槽)右	SUS201	3	
1	85017405	Pilastor For Shelf	食品架隔条	SUS201	4	
序号	Material code	English Name	Chinese Name	MATERIAL	QUANTITY	Remark

8950GR-CCA



11	W0210E16	Low Presure Coil Back to Comp	回气管		1		5	W0301507	Condenser Fan Blade	吹风风叶		1	
10	W0201311	Compressor	压缩机	QD110Y	1		4	W0301916	Condensor Fan	冷凝风机		1	
9	W0210E17	High Presure Coil	散热管		1		3	W0604061	Condenser Fan Braket	冷凝风机支架		1	
8	W0409255	Dry Filter Holder	干燥过滤器支架		1		2	89501891	Compressor Board	压缩机底板		1	
7	W0204101	Dry Filter	干燥过滤器		1		1	W0411152	Plastic Drain Pan	接水盘		1	
6	W0203204	Condensor	钢丝冷凝器		1		料号	Material code	English Name	Chinese Name	MATERIAL	QUANTITY	Remark

8950-DA



局部放大图A

14	B0506077	Screw M6x16	M6x16十字槽六角头螺栓	7	
13	W0604024	Right-Bottom Hinge	右下铰链	1	
12	B0507015	SS Screw M6x8	M6x8不锈钢螺丝	1	
11	W0604038	Door Brake-Bottom	门自锁装置-下	1	
7	W0604401	Door Spring Bar	门体发条	1	
6	W0409843	Door Shaft Sleeve-Bottom	门体轴套	1	
5	W0604030	Door Brake -Right	门自锁装置-右	1	
4	89600201	Right Door	右门体	1	
3	W0404601	Door Gasket	门封条	1	
2	W0409842	Door Shaft Sleeve-Top	门体轴套	1	
1	W0604022	Right-Top Hinge	右上铰链	1	
序号	Material code	English Name	Chinese Name	MATERIAL	QUANTITY Remark