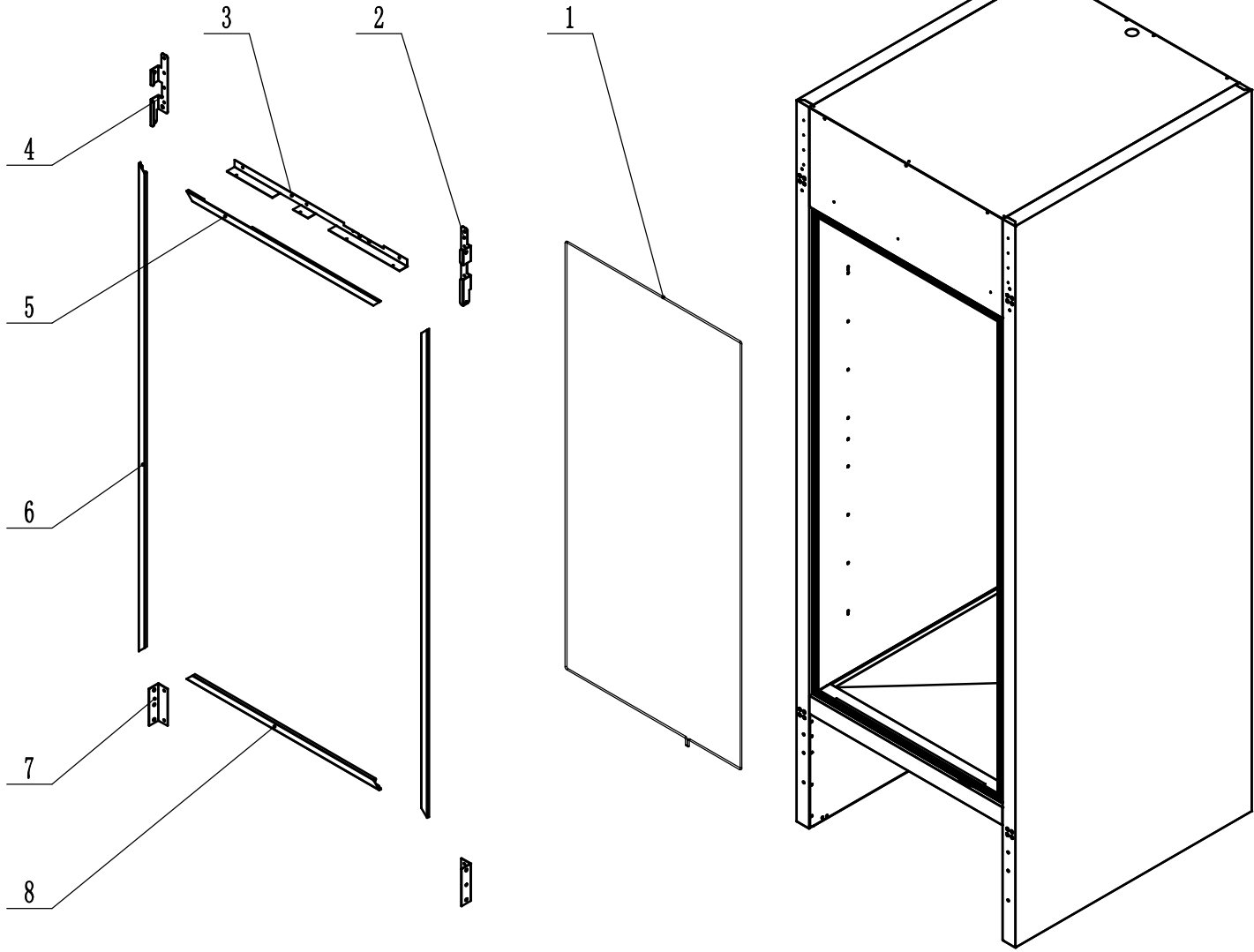


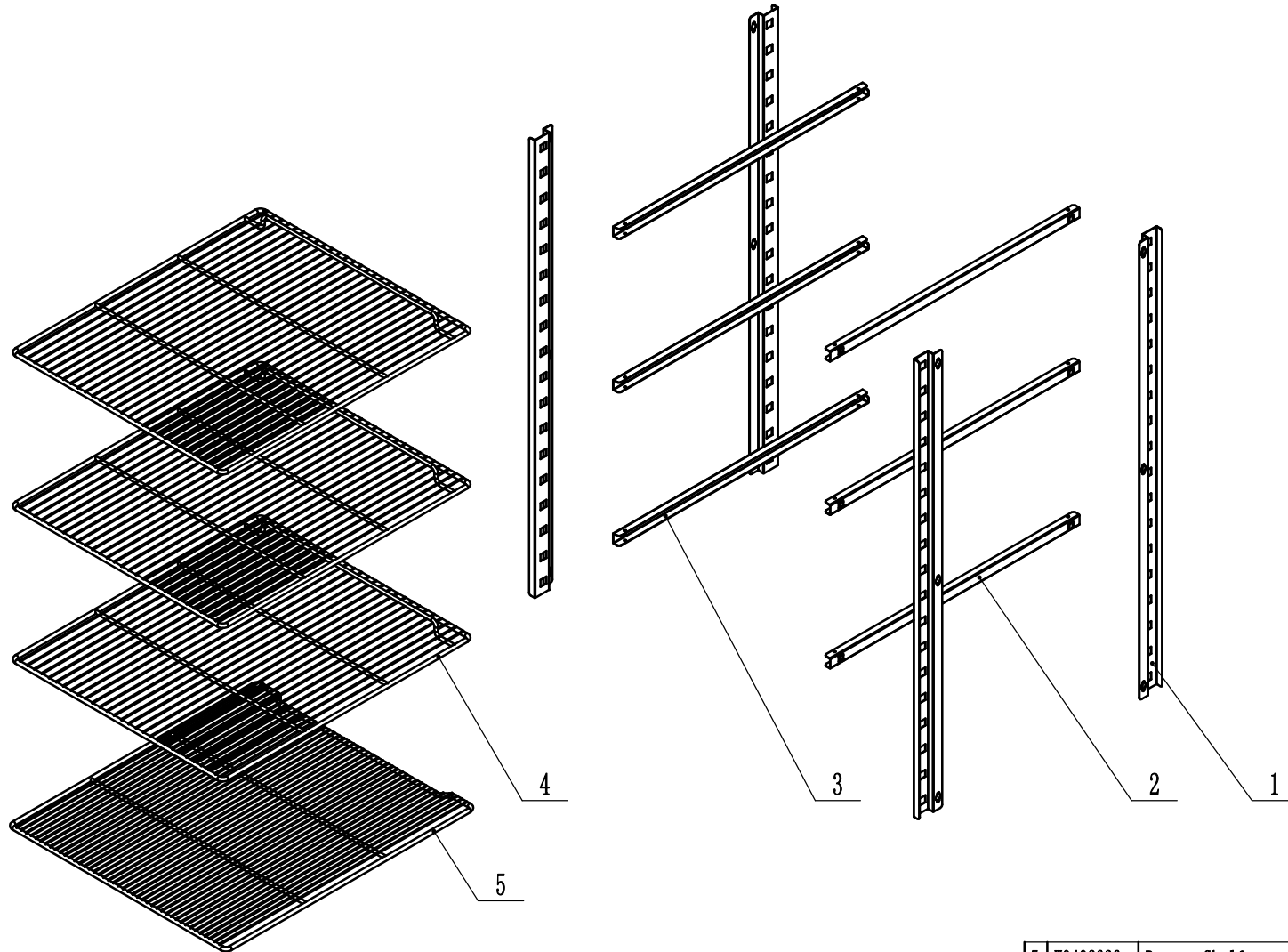


8951-CA



4	85041610	Left Fastener For Top Panel	前罩板固定件(左上)		1			
3	85041611	Right Fastener For Top Panel	前罩板(右下)固定件		1			
2	85041609	Right Fastener For Top Panel	前罩板固定件(右上)		1			
1	W0310104	Cabinet Wire Heater	箱体加热带		1			
8	W0410456	Bottom Frame Cover	箱体下接口盖		1			
7	85041801	Fastener For Bottom Panel	下罩板固定件		2			
6	W0410446	Left-Right Frame Cover	箱体左右接口盖		2			
5	W0410455	Top Frame Cover	箱体上接口盖		1			
	Material code	English Name	Chinese Name	MATERIAL	QUANTITY	Remark		

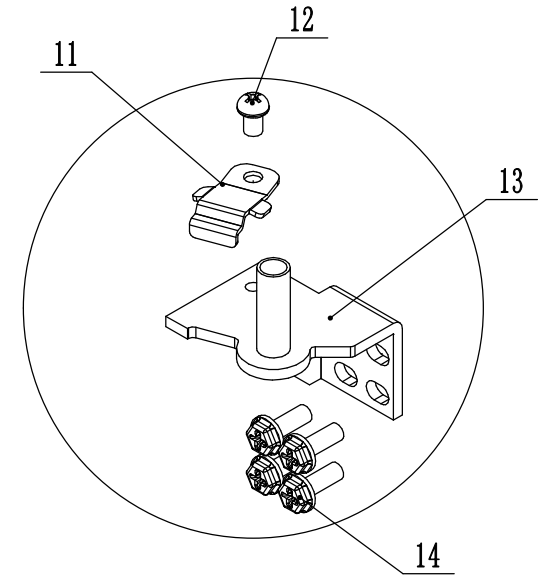
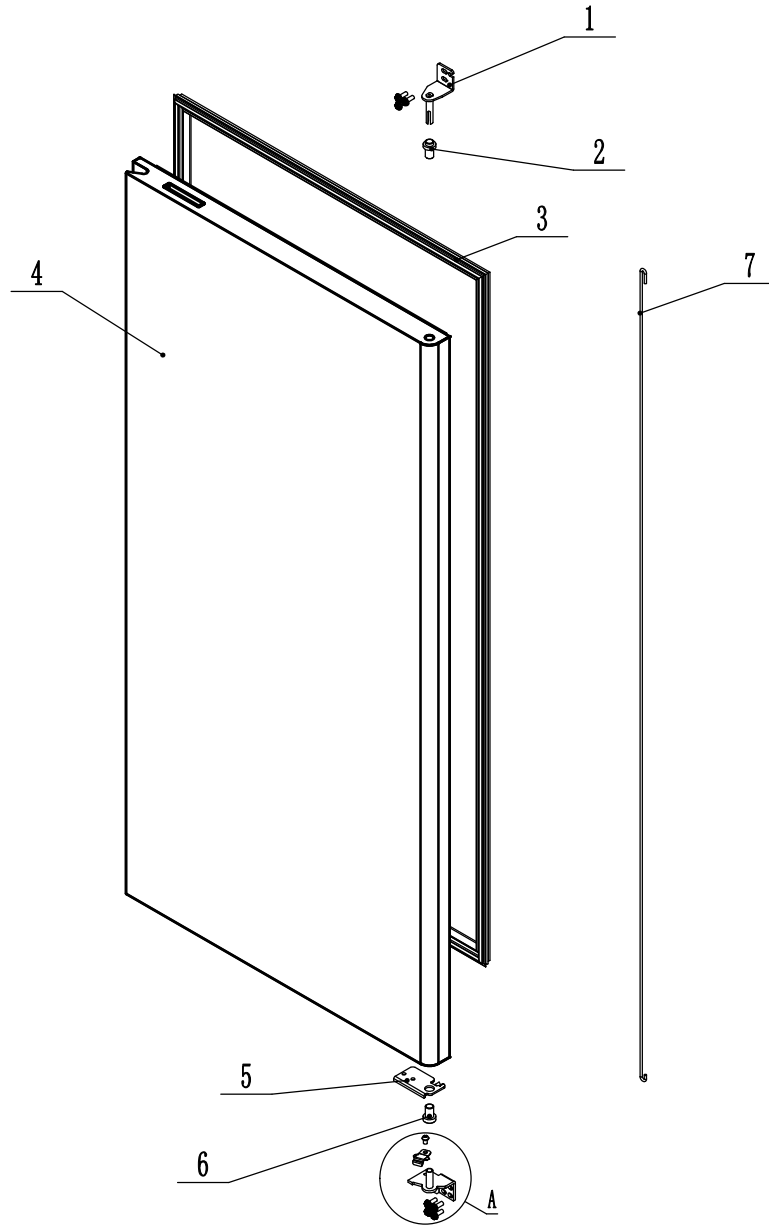
8950-SA



5	W0402626	Bottom Shelf	底层食品架		1	
4	W0402040	Shelf	食品架		3	
3	80037407	shelf left chute	隔条(滑槽)左	SUS201	3	
2	80037408	shelf right chute	隔条(滑槽)右	SUS201	3	
1	85017405	Pilastor For Shelf	食品架隔条	SUS201	4	
序号	Material code	English Name	Chinese Name	MATERIAL	QUANTITY	Remark



8950-DA



局部放大图A

14	B0506077	Screw M6x16	M6x16十字槽六角头螺栓	7	
13	W0604024	Right-Bottom Hinge	右下铰链	1	
12	B0507015	SS Screw M6x8	M6x8不锈钢螺丝	1	
11	W0604038	Door Brake-Bottom	门自锁装置-下	1	
7	W0604401	Door Spring Bar	门体发条	1	
6	W0409843	Door Shaft Sleeve-Bottom	门体轴套	1	
5	W0604030	Door Brake -Right	门自锁装置-右	1	
4	89600201	Right Door	右门体	1	
3	W0404601	Door Gasket	门封条	1	
2	W0409842	Door Shaft Sleeve-Top	门体轴套	1	
1	W0604022	Right-Top Hinge	右上铰链	1	
序号	Material code	English Name	Chinese Name	MATERIAL	QUANTITY Remark