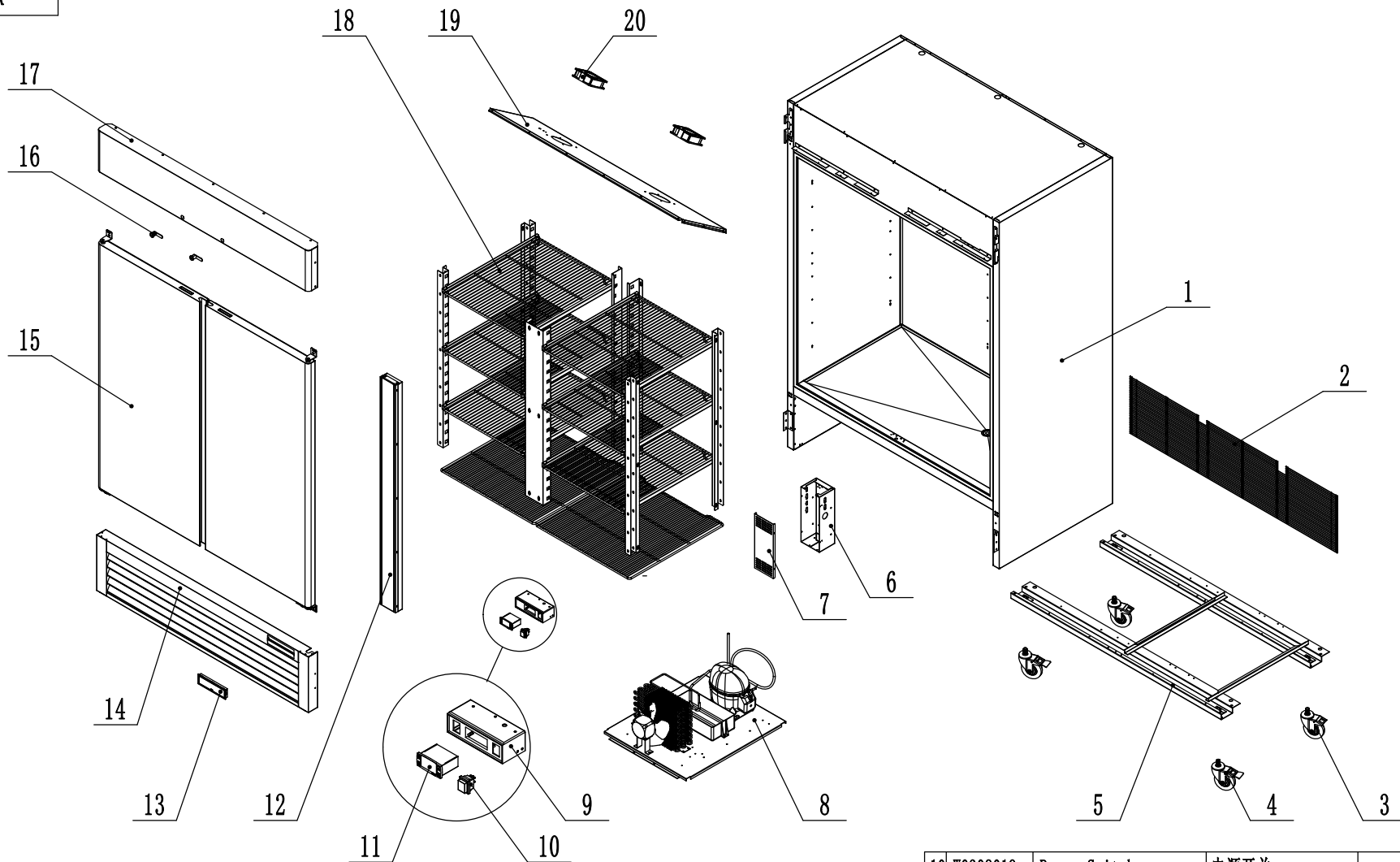
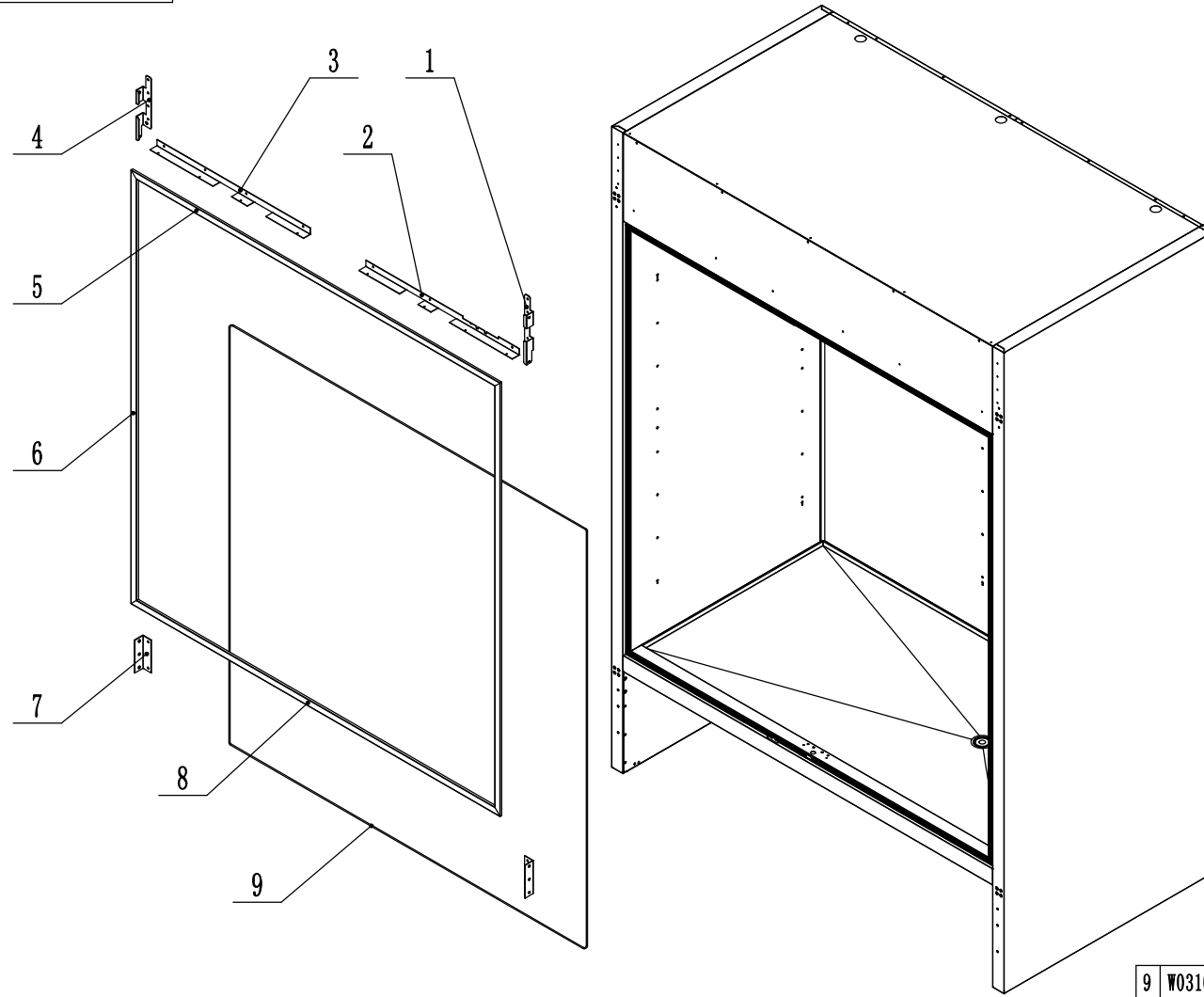


MBL8961GR



10	W0308019	Power Switch	电源开关	1	
9	W04098831	Controller Braket	温控支架	1	
20	W0301011	Motor	12038风机	2	
19	89601201	Motor Panel	风机安装板	1	
18	8960-SA	Shelf Assembly	食品架组件	1	
17	89501406	Top Panel	上前罩	1	
16	W0604007	Lock	冰箱锁	1	
15	8960-DA	Door Assembly	门体组件	1	
14	89601400	Bottom Panel Assembly	下罩板组件	1	
13	W0409882	Controller Cover	翻盖组件	1	
12	8183-MA	Mullion Assembly	中梁组件	1	
11	W0302167	Digital Controller	电子温控器(R)	1	
8	8961GR-CCA	Comp&Cond Assembly	机组组件	1	
7	85046202	Power box cover	电源盒盖	1	
6	85046201	Power box	电源盒	1	
5	85030450	Bottom Bracket	箱体底杠组装图	1	
4	B0604421	4" Castor With Brake	4寸带刹车重磅万向轮(测定向)	2	
3	B0604413	4" Castor Without Brake	4吋重磅万向轮(脚轮)	2	
2	W0402634	Back Bottom Barriar	机械室保护网	1	
1	8961-CA	Cabinet Assembly	箱体组件	1	
Material code	English Name	Chinese Name	MATERIAL	QUANTITY	Remark

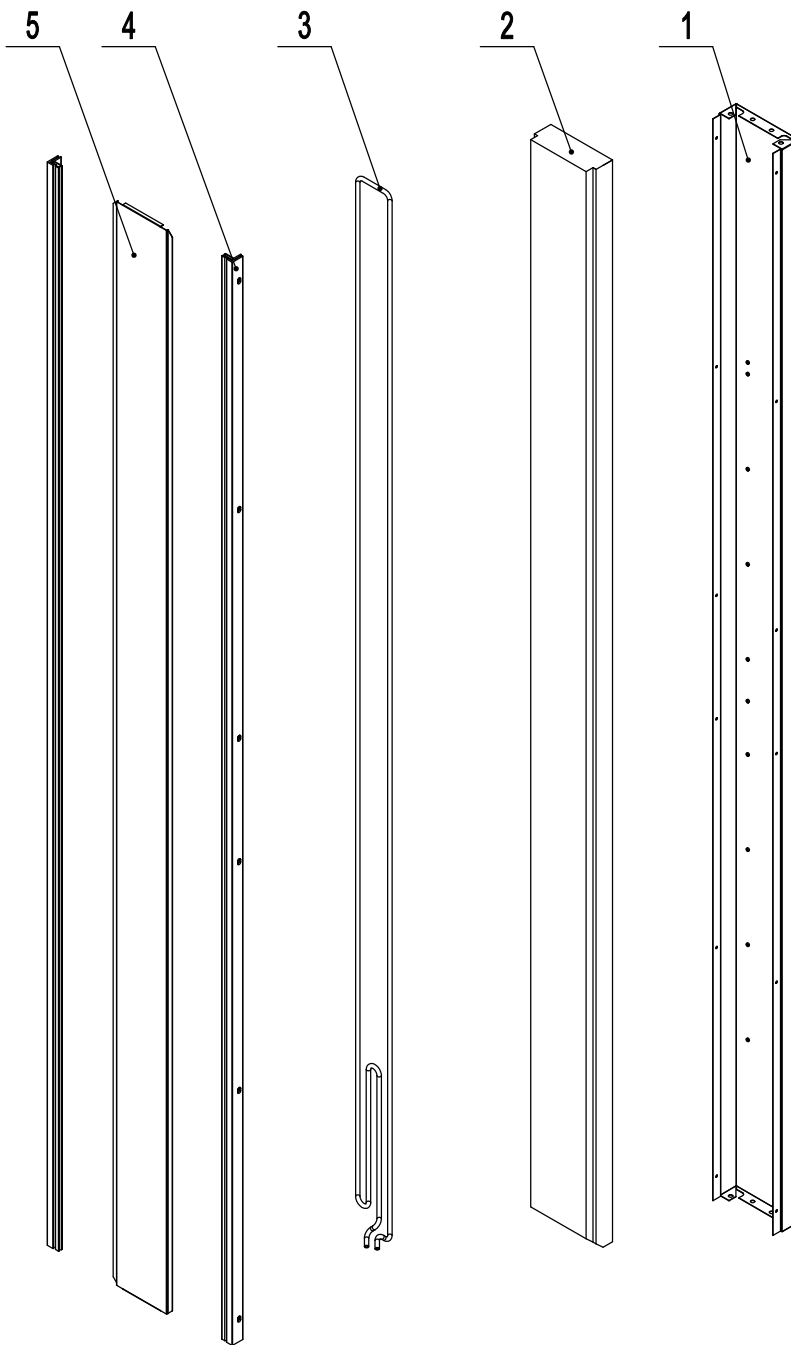
8961-CA



9	W0310096	Cabinet Wire Heater	箱体加热带		1	
8	85041801	Fastener For Bottom Panel	下罩板固定件		2	
7	W0410447	Bottom Frame Cover	箱体下接口盖		1	
6	W0410446	Left-Right Frame Cover	箱体左右接口盖		2	
5	W0410448	Top Frame Cover	箱体上接口盖		1	
4	85041610	Left Fastener For Top Panel	前罩板固定件(左上)		1	
3	85041612	Left Fastener For Top Panel 2	前罩板(右下)固定件		1	
2	85041611	Right Fastener For Top Panel 2	前罩板(右下)固定件		1	
1	85041609	Right Fastener For Top Panel	前罩板固定件(右上)		1	
序号	Material code	English Name	Chinese Name	MATERIAL	QUANTITY	Remark

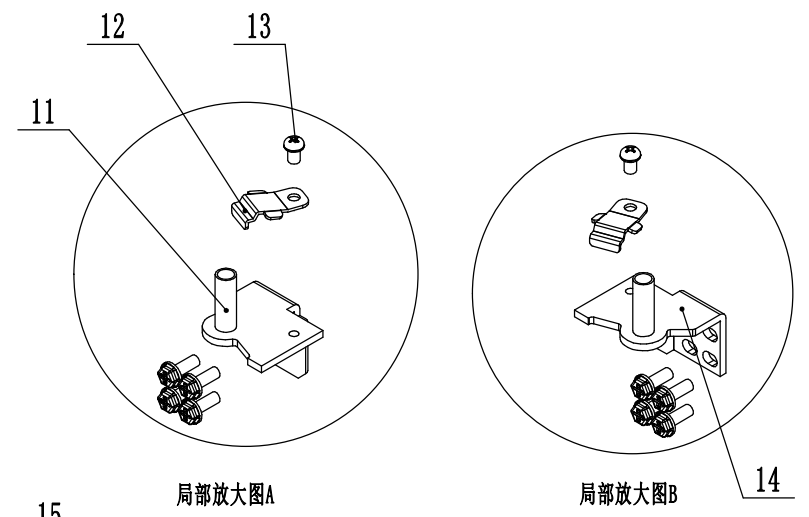
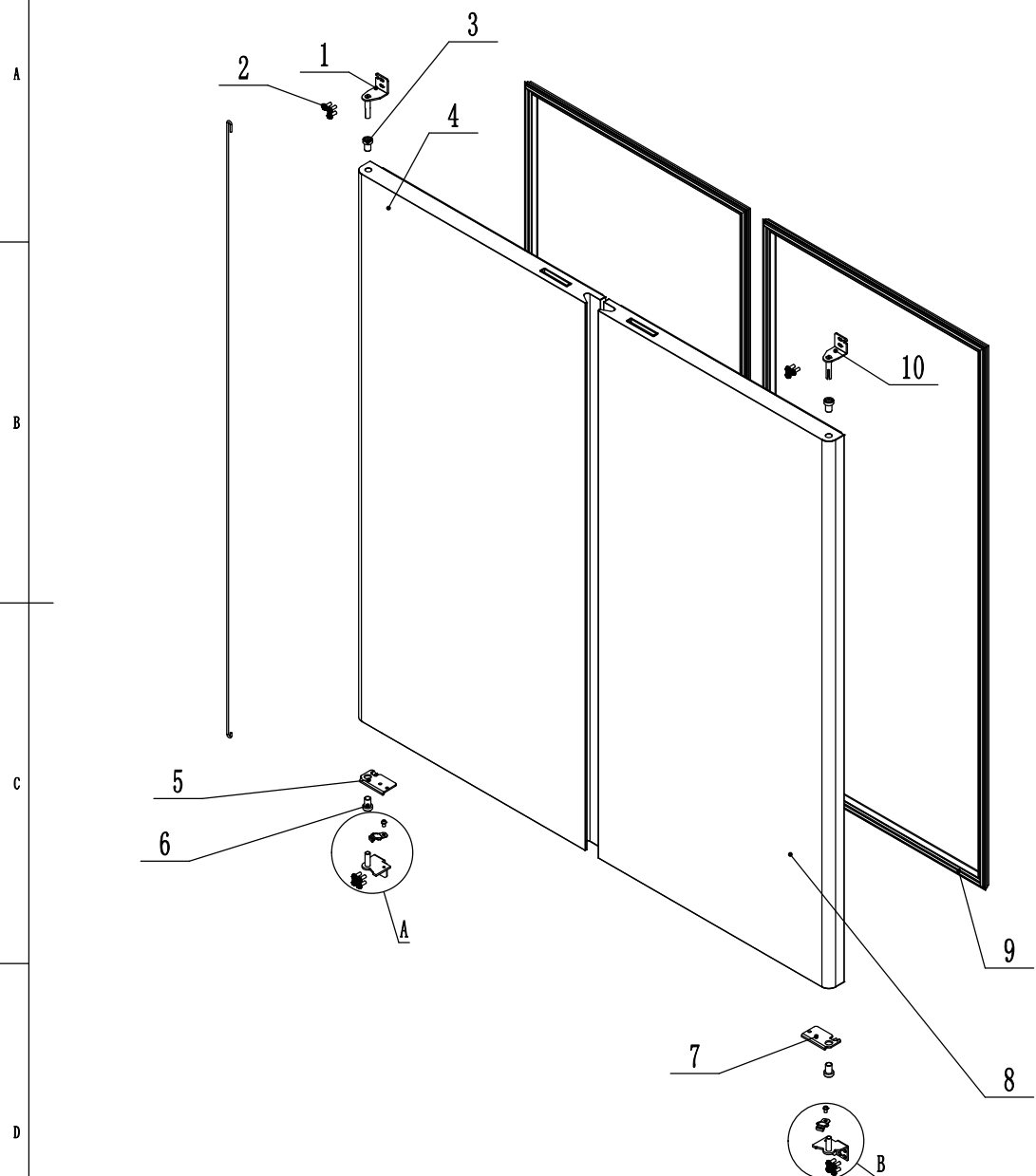
8183-MA

2021.6



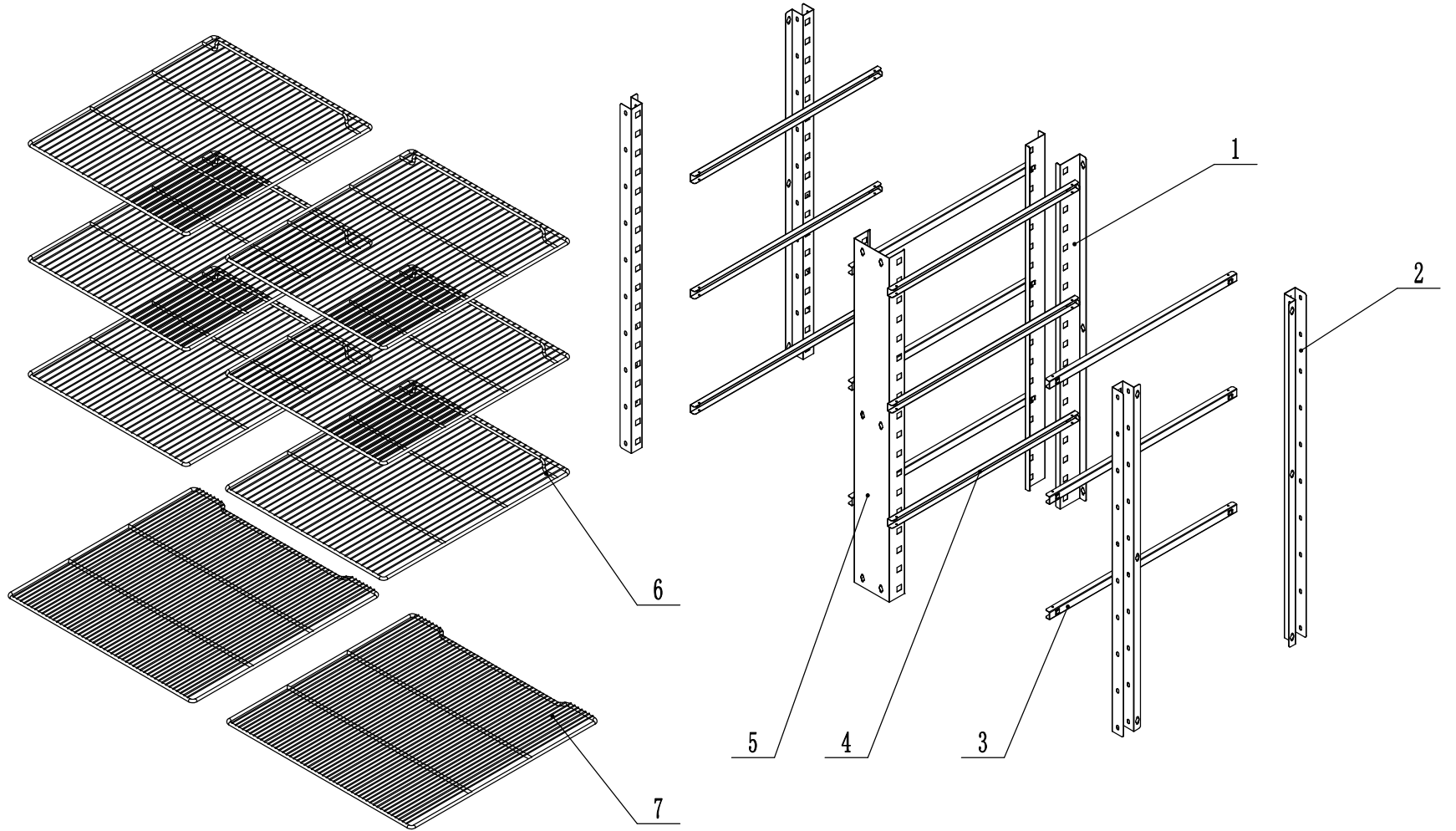
5	85041111-430	Mullion Front Cover	中梁前盖板		1	
4	W0410976	Mullion Plastic Connector	竖中梁接口		2	
3	W0310094	Mullion Heater	中梁加热带		1	
2	W0499086	Mullion Foam	竖中梁泡沫		1	
1	85041110-430	Mullion Back Cover	中梁后盖板	SUS430	1	
序号	Material code	English Name	Chinese Name	MATERIAL	QUANTITY	Remark

8960-DA



15	W0604401	Door Spring Bar	门体发条		2	
14	W0604024	Right-Bottom Hinge	右下铰链	SUS304	1	
13	B0507015	SS Screw M6x8	M6x8 不锈钢螺丝		2	
12	W0604038	Door brake-Bottom	门自锁装置-下	SUS304	2	
11	W0604025	Left-Bottom Hinge	左下铰链	SUS304	1	
10	W0604022	Right-Top Hinge	右上铰链	SUS304	1	
9	W0404601	Door Gasket	门封条		2	
8	89600201	Right Door	右门体		1	
7	W0604030	Door Brake -Right	门自锁装置-右	SUS304	1	
6	W0409843	Door Shaft Sleeve-Bottom	门体轴套	PA66	2	
5	W0604031	Door Brake -Left	门自锁装置-左	SUS304	1	
4	89600202	Left Door	左门体		1	
3	W0409842	Door Shaft Sleeve-Top	门体轴套	PA66	2	
2	B0506077	Screw M6x16	M6x16 十字槽六角头螺栓 (十字外六角)		12	
1	W0604023	Left-Top Hinge	左上铰链	SUS304	1	
序号	Material code	English Name	Chinese Name	MATERIAL	QUANTITY	Remark

8960-SA



7	W0402626	Bottom Shelf	底层食品架		2	
6	W0402040	Shelf	食品架		6	
5	85047402	Pilastor For Shelf(F)(M)	前中竖隔条		1	
4	80037407	shelf left chute	隔条(滑槽)左		6	
3	80037408	shelf right chute	隔条(滑槽)右		6	
2	80037402	Pilastor For Shelf	食品架隔条		4	
1	80037405	Pilastor For Shelf(B)(M)	后中竖隔条		2	
序号	Material code	English Name	Chinese Name	MATERIAL	QUANTITY	Remark