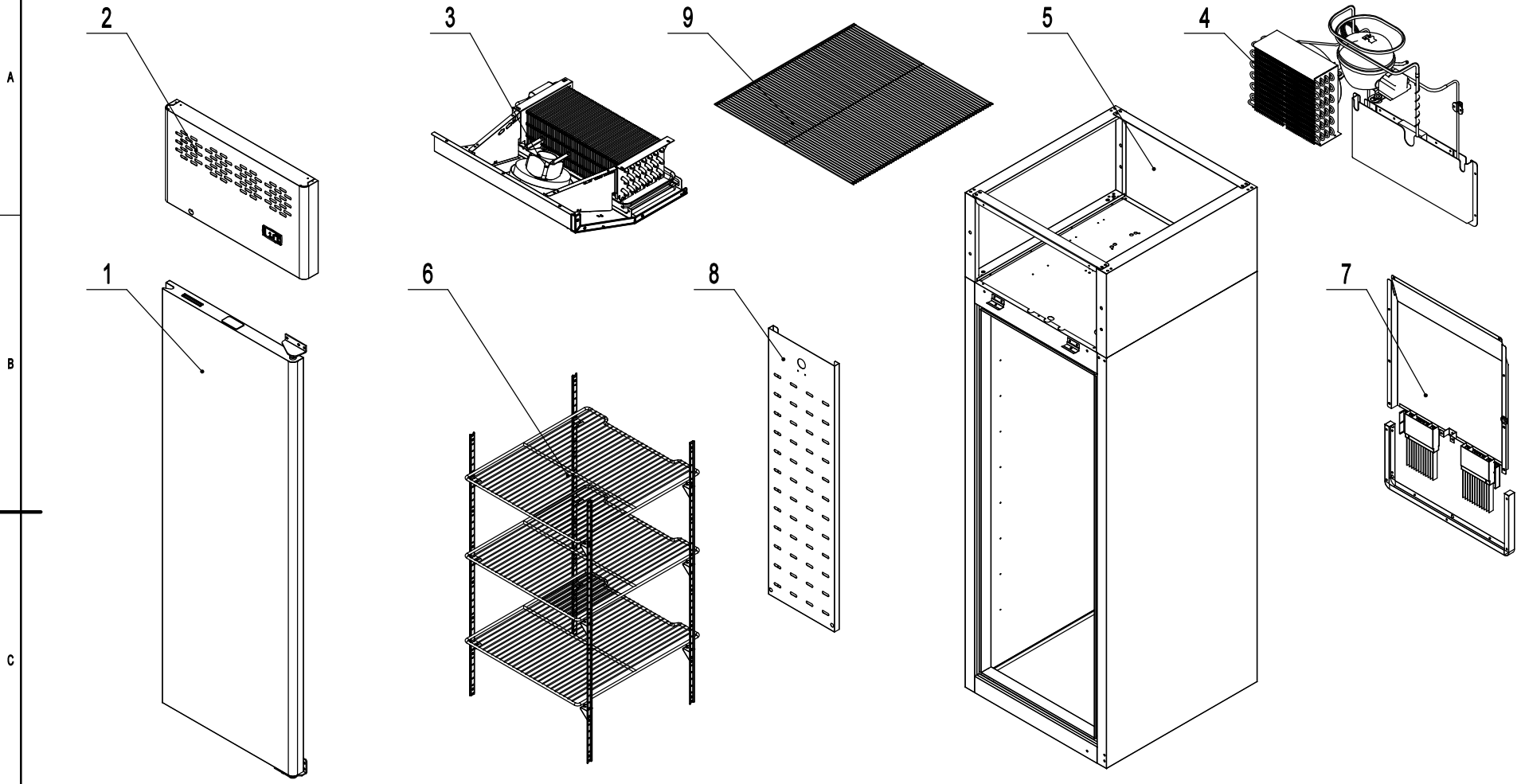


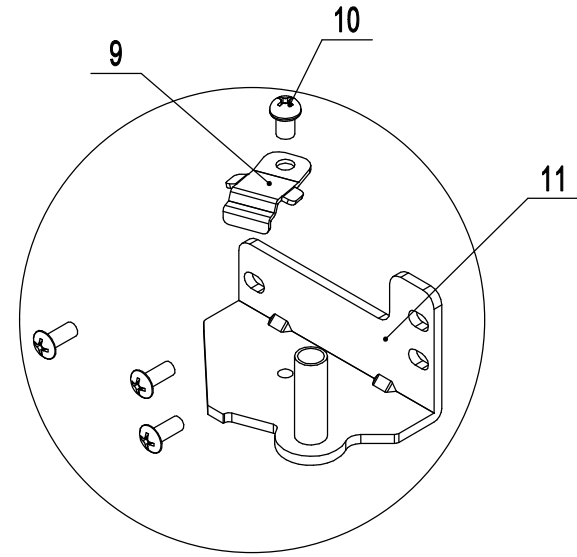
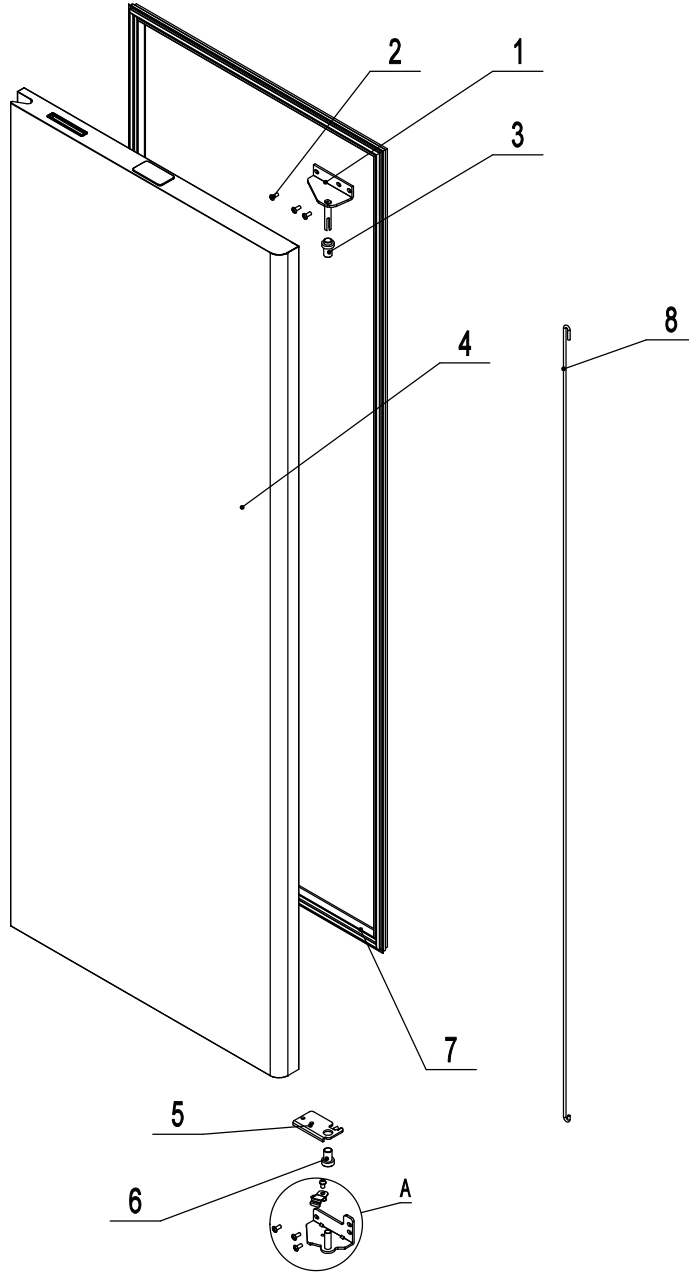
YBF9206GRP12



11	B0604413	4" Castor Without Brake	4吋重磅万向轮 (脚轮)		2
10	B0604421	4" Castor With Brake	4吋带刹车重磅万向轮[制定向]		2
9	W0402691	top of wire cage	箱体顶部保护网	Q235a	1
8	92001026-430	Back wind deflector	后背导风板	SUS430	1

7	92040108	Water evaporation assembly	水蒸发组件		1		
6	92060106	Shelf Assembly	食品架组件		1		
5	92060105	Cabinet Assembly	箱体组件		1		
4	92060104	Comp&Cond Assembly	冷凝组件		1		
3	92060103	Evaporator Assembly	蒸发组件		1		
	2	92060102-IN	Top Panel Assembly	前罩组件	1		
	1	92060120	Sollid Door Assembly	门体组件	1		
	序号	Material code	English Name	Chinese Name	MATERIAL	QUANTITY	Remark

92060120



局部放大图A

11	W0604037	Right-Bottom Hinge	右下铰链	SUS304	1	
10	B0599270	SS Screw M6x8	M6x8不锈钢螺丝		1	
9	W0604038	Door Brake-Bottom	门自锁装置-下	SUS304	1	
8	W0604944	Door Spring Bar	门体发条		1	
7	W0404904	Door Gasket	门封条		1	
6	W0409843	Door Shaft Sleeve-Bottom	门体轴套	PA66	1	
5	W0604030	Door Brake -Right	门自锁装置-右	SUS304	1	
4	92060222	Right Door	右门体半组立(折弯内扣把手)		1	
3	W0409842	Door Shaft Sleeve-Top	门体轴套	PA66	1	
2	B0502207	SS Screw M5x12	M5x12不锈钢螺丝		6	
1	W0604033	Right-Top Hinge	右上铰链	SUS304	1	
序号	Material code	English Name	Chinese Name	MATERIAL	QUANTITY	Remark

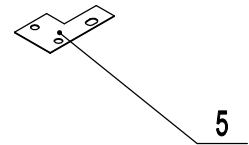
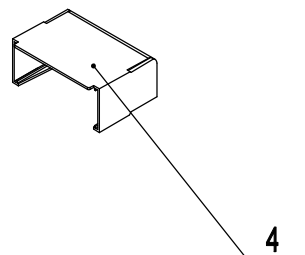
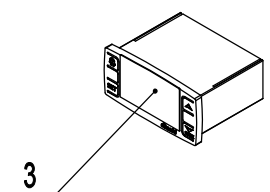
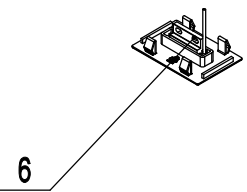
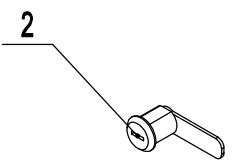
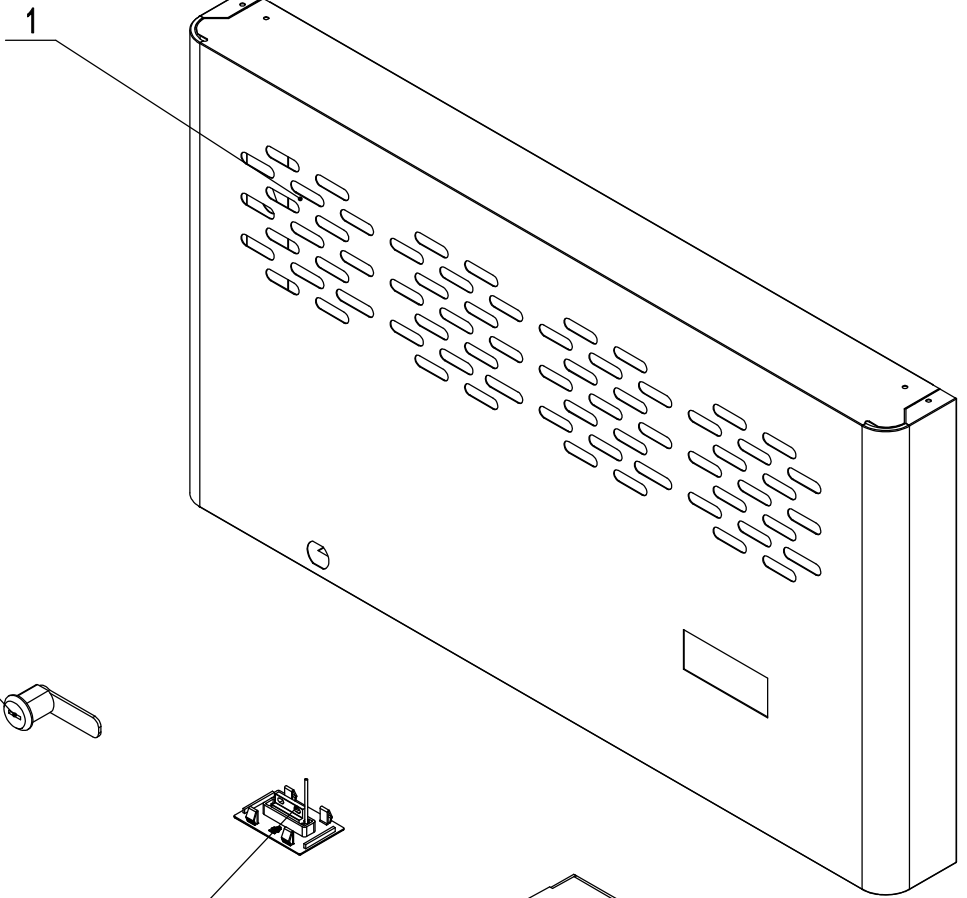
92060102-IN

A
B
C
D

A
B
C
D

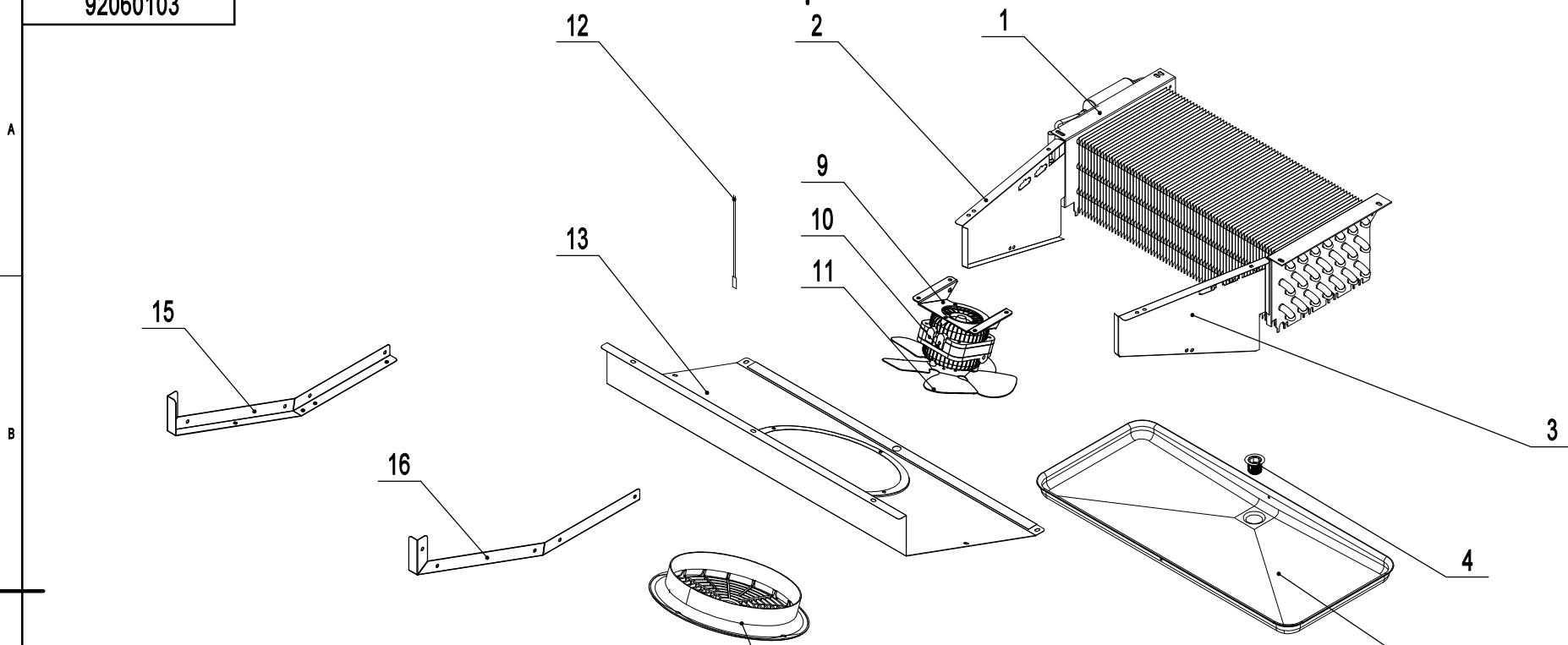
1 2 3 4 5 6

1 2 3 4 5 6

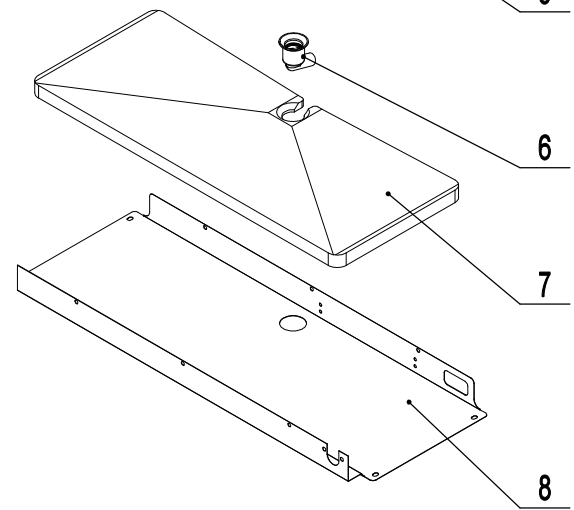


6	W0409161	Gate Magnetic Switch	门磁开关组件		1	
5	80021404	Fastener For Top Panel	上单板上加固件	SUS430	2	
4	W0302303	Controller Cover	防水后盖		1	D
3	W0302168-CR4A6D10	Digital Controller	220V触点电子温控器(门磁开关附件)		1	220V
2	W0604007	Lock	冰箱锁		1	
1	92001413-430	FRONT TOP PANEL-TOP	整体前单板	SUS430	1	
序号	Material code	English Name	Chinese Name	MATERIAL	QUANTITY	Remark

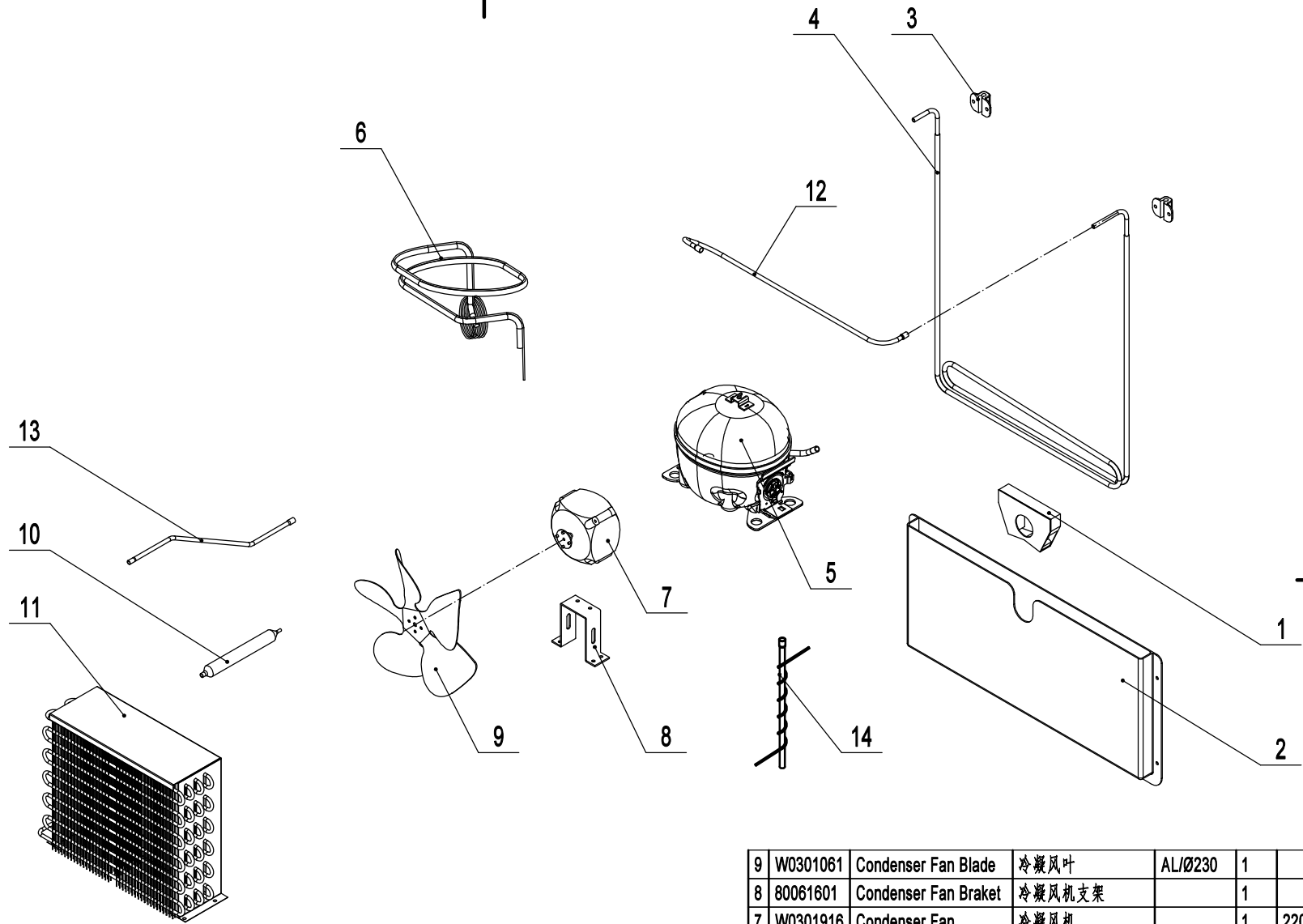
92060103



16	92001221-430	Evap Right Cover	蒸发器右盖板		1	
15	92001220-430	Evap Left Cover	蒸发器左盖板		1	
14	W0409080	Evap Fan Motor Cover	蒸发风机罩	ABS	1	
13	92001225-430	Evap Front Cover	蒸发前盖板		1	
12	W0302316	Room Temp Probe	防水TPE冰箱感温探头		1	
11	W0301078-01	Evap Fan Blade	蒸发风叶	ABS/Ø172	1	
10	W0301912-01	Evap Fan Motor	蒸发风机		1	220V
9	80021824	Evap Fan Bracket	蒸发风机支架	SUS304	1	
8	92001222-430	Drain Pan Cover	蒸发后盖板		1	
7	W0803015	Drain Pan Foam	接水盘泡沫	EPS	1	
6	W0409858	Drain Hose Connector A	排水管连接器A	PA66	1	
5	11452001	Drain Pan	铝制接水盘	AL	1	
4	W0409859	Drain Hose Connector B	排水管连接器B	PA66	1	
3	92001224-430	Evap Right Cover	蒸发空气右挡板		1	
2	92001223-430	Evap Left Cover	蒸发空气左挡板		1	
1	W0202128	Evaporator	蒸发器	AL TP2-M	1	
序号	Material code	English Name	Chinese Name	MATERIAL	QUANTITY	Remark



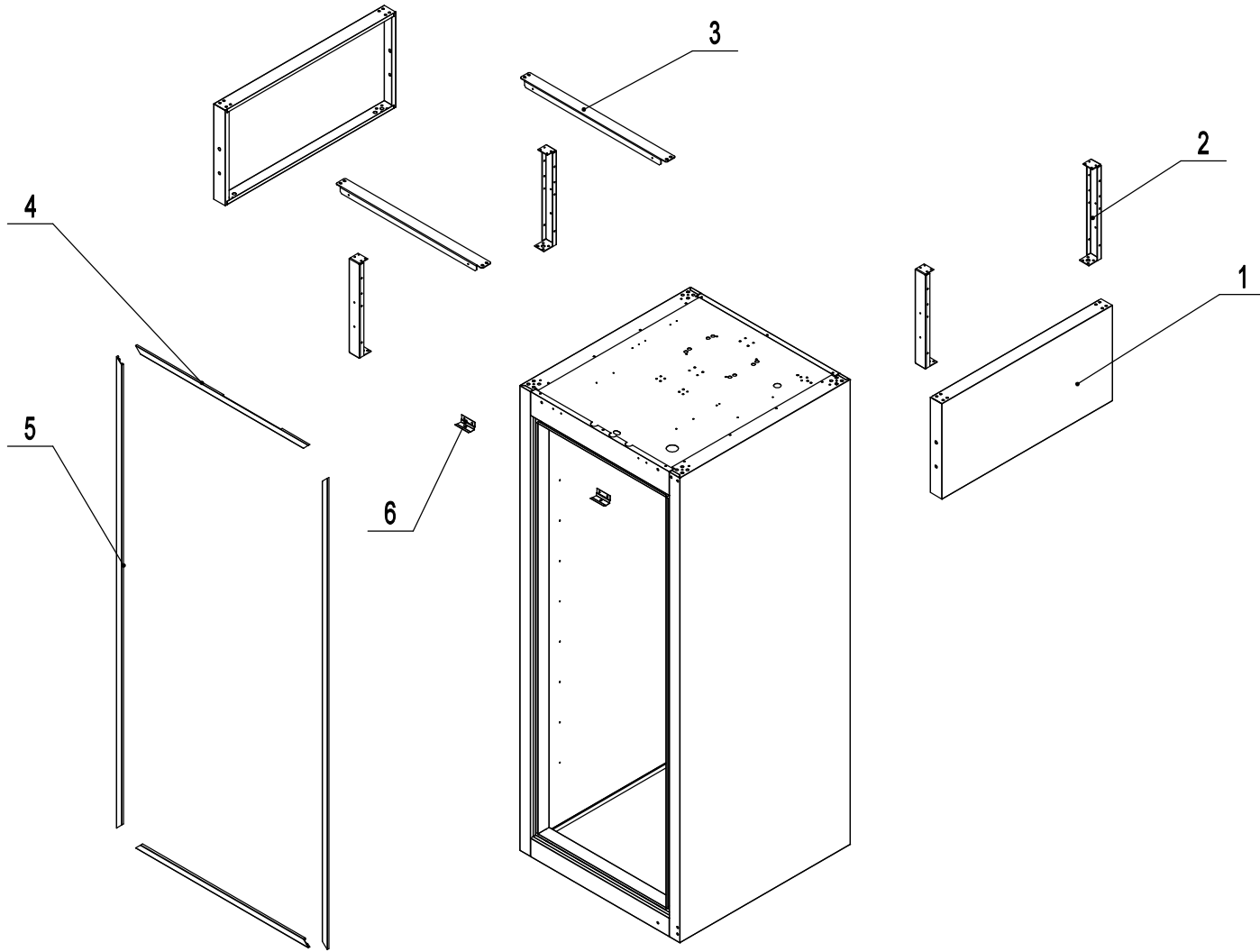
92060104



14	W0210415	Low Presure Coil Back to Comp	回气管(B)	TP2-M	1	
13	W0210774	Connecting Coil	连接管(散热管-冷凝器)	TP2-M	1	
12	W0210A52	Connecting Coil From Compressor	连接管(压缩机-散热管)	TP2-M	1	
11	W0203072	Condenser	冷凝器	GI TP2-M	1	
10	W0204101	Dry Filter	干燥过滤器	TP2-M	1	

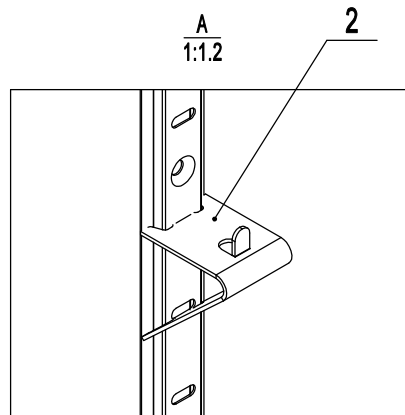
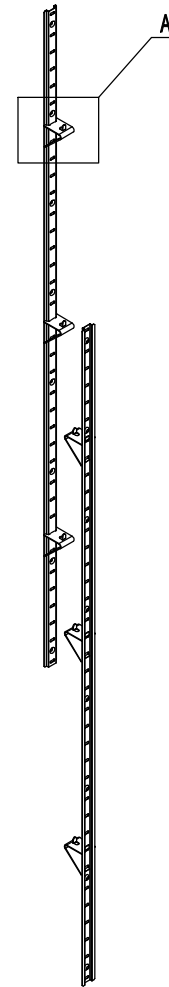
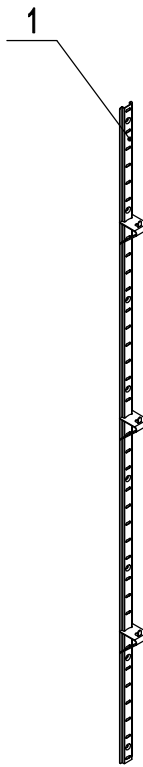
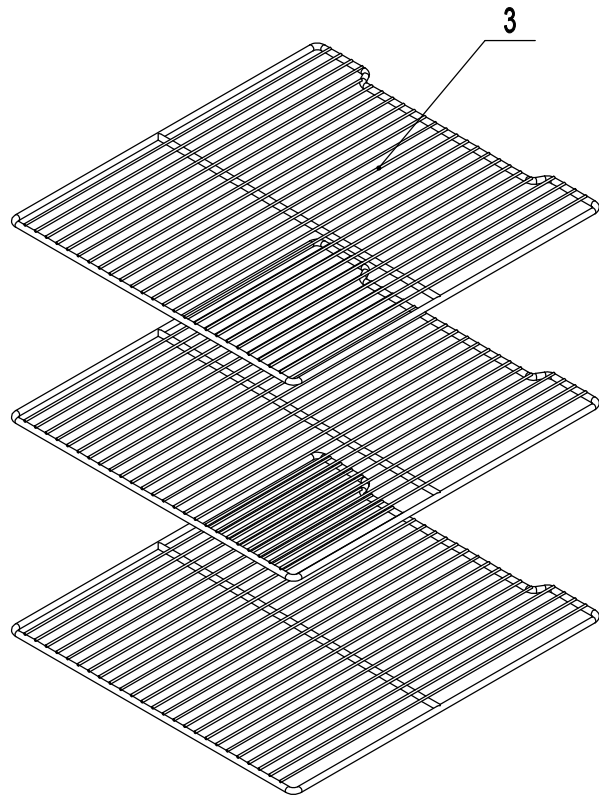
9	W0301061	Condenser Fan Blade	冷凝风叶	AL/Ø230	1	
8	80061601	Condenser Fan Braket	冷凝风机支架		1	
7	W0301916	Condenser Fan	冷凝风机		1	220V
6	W0210756	Low Presure Coil Back to Comp	回气管(A)	TP2-M	1	
5	W0201160	Compressor	R600a压缩机		1	220V
4	W0210413	High Presure Coil	散热管	TP2-M	1	
3	W0413062	Rubber Fixing Block	散热管固定垫	RUBBER(橡胶)	2	
2	W0409071	Back High Presure Coil Pan	后背蒸发包	PP	1	
1	W0409078	Air pressure balance device	后背蒸发包水封	ABS	1	
序号	Material code	English Name	Chinese Name	MATERIAL	QUANTITY	Remark

92060105

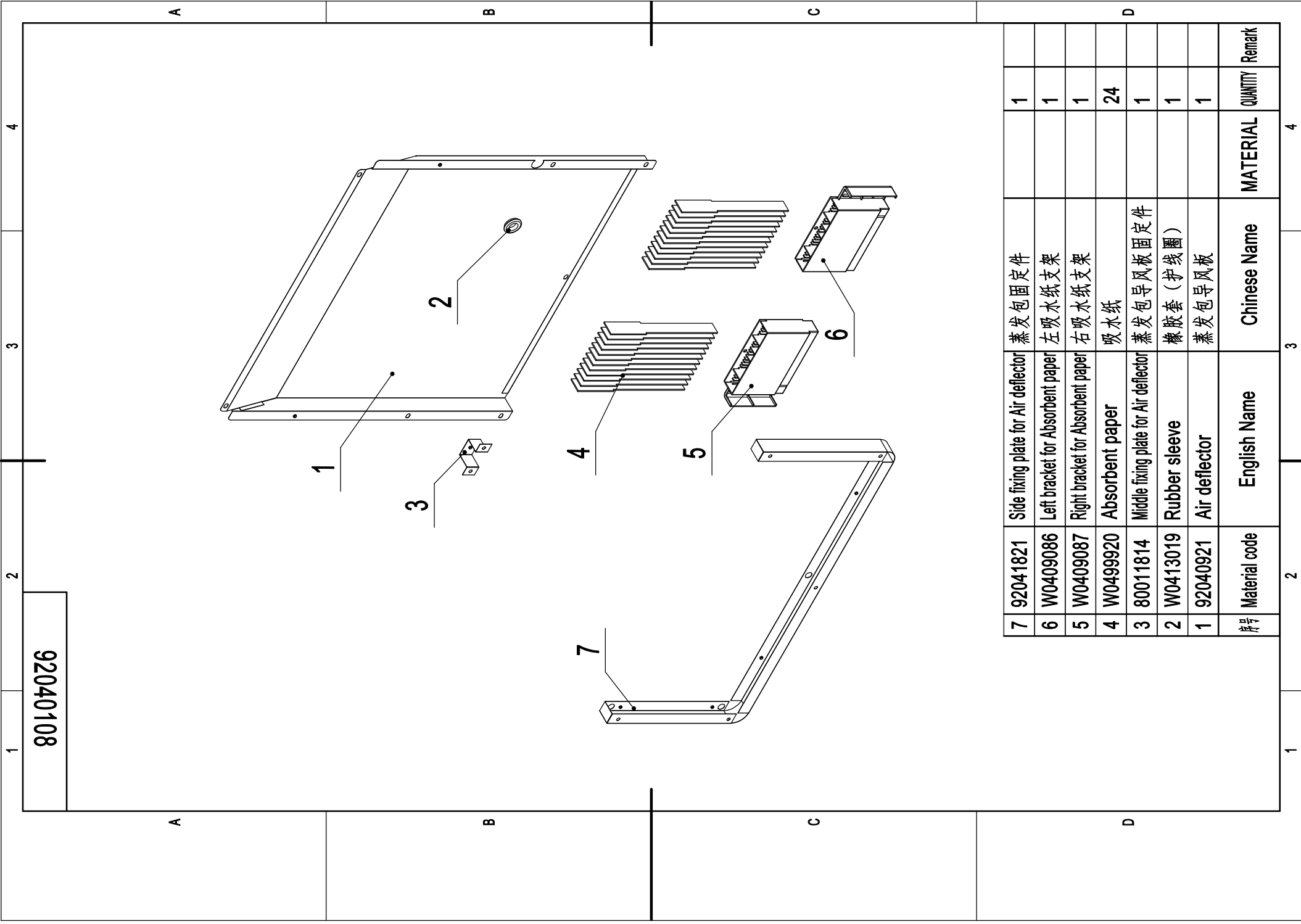


6	80021403	Fastener For Top Panel	上單板下加固件	SUS430	2	
5	W04101039	Left-Right Frame Cover	箱体左右接口盖	PVC-H	2	
4	W04101040	Top-Bottom Frame Cover	箱体上下接口盖	PVC-H	2	
3	92001801	Top Long Fixing Rack	箱体横向固定架	GI	2	
2	11451501	Side Panel Frame	箱体支撑架	GI	4	
1	92040906	Top Side Panel	箱体上侧板	SUS430	2	
序号	Material code	English Name	Chinese Name	MATERIAL	QUANTITY	Remark

92060106



3	W0402673	Shelf	食品架		3	
2	66490313	Shelf Support Clip	食品架搁脚	SUS430	12	
1	80037410	Pilaster For Shelf	食品架隔条	SUS430	4	
序号	Material code	English Name	Chinese Name	MATERIAL	QUANTITY	Remark



92040108

Material code	English Name	Chinese Name	MATERIAL	QUANTITY	Remark
7 92041821	Side fixing plate for Air deflector	蒸发包固定件		1	
6 W0409086	Left bracket for Absorbent paper	左吸水纸支架		1	
5 W0409087	Right bracket for Absorbent paper	右吸水纸支架		1	
4 W0499920	Absorbent paper	吸水纸		24	
3 80011814	Middle fixing plate for Air deflector	蒸发包导风板固定件		1	
2 W0413019	Rubber sleeve	橡胶套(护线圈)		1	
1 92040921	Air deflector	蒸发包导风板		1	
7 92040108	Side fixing plate for Air deflector	蒸发包固定件		1	