

Drawing



Tools for Chefs

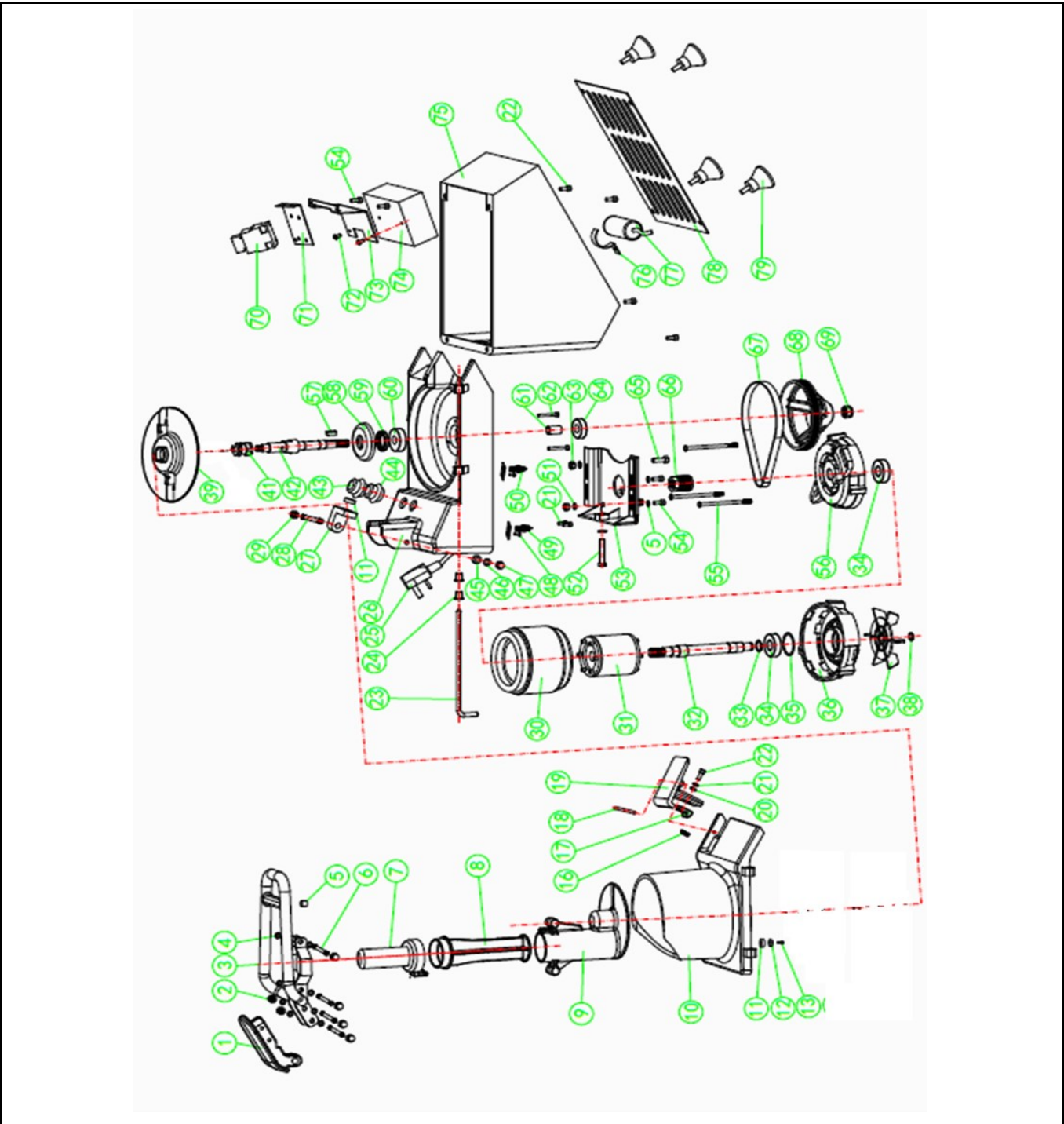
Hendi B.V.
 Steenoven 21
 3911 TX Rhenen
 The Netherlands

Batch #
 170017 and up


Appliance part#
 231852

Description
 Vegetable cutter heavy duty

Date	14-10-2021	Revision #	1.1
Revision	Format updated Added new PCB and capacitor.		



Bill of materials (BOM)

 <b style="font-size: 24px; margin-left: 10px;">HENDI Tools for Chefs Hendi B.V. Steenoven 21 3911 TX Rhenen The Netherlands	Batch #	Appliance part#
	170017 and up	231852
	Description	
Vegetable cutter heavy duty		

Date	14-10-2021	Revision #	1.1
Revision	Format updated Added new PCB and capacitor.		


Item	Description	Part#	Quantity	Remark	Picture
1	Elbow (Aluminium)	n/a	1		
2	Domed nut M6	nss	8	Available as 936528	
3	Handlebar (stainless steel)	936528	1	Incl item 2,4,5 and 6	
4	Washer M6	nss	8	Available as 936528	
5	Bumper nylon	nss	1	Available as 936528	
6	Strud M6x50	nss	4	Available as 936528	
7	Stick grip	936535	1	Incl item 8	
8	Stick	nss	1	Availbale as 936535	
9	Hopper	936542	1		
10	Lid	936658	1		
11	Magnet holder	nss	1	Available as 918838	
12	Magnet	918838	1	Incl item 11	
13	Flat countersunk screw M4x10	n/a	1		
16	Spring	nss	1		
17	Hook	nss	1		
18	Pin Ø5x85mm	nss	1		
19	Locking handle	936573	1		
20	Washer M6	nss	1		
21	Spring washer M6	nss	1		
22	Hexagon cap screw M6x15	nss	1		
23	Hinge pin	936665	1		
24	Nylon inserts	n/a	2		
25	Power cord (H05VV-F 3Gx0,75mm ²)	931189	1	EU plug	
26	Upper housing	n/a	1		
27	Magnet holder	n/a	1		
28	Strud M8x85	943311	1		
29	Dome nut M8	nss	2	Available as 943311	
30	Motor complete assembly	936580	1	Inlc item, 31~38, 55, 56 and 66	
31	Rotor	nss	1	Available as 936580	
32	Axle	nss	1	Available as 936580	
33	Spring washer Ø 20	nss	2	Available as 936580	
34	Bearing (6204RZ)	nss	2	Available as 936580	
35	Waved washer	nss	2	Available as 936580	
36	Bottom cover motor	nss	1	Available as 936580	
37	Fan	nss	1	Available as 936580	
38	Snap ring	nss	1	Available as 936580	
39	Ejector disc	936597	1		
41	Nut (disc)	943236	1		
42	Axle	936603	1		
43	Switch "ON"	936610	1	Incl item 44	
44	Switch "OFF"	nss	1		
45	Sleeve	n/a	2		
46	Washer M8	n/a	2		
47	Dome nut M8	n/a	1		
48	Flat countersunk screw M5x6	n/a	2		
49	Magnetswitch (handle)	918562	1		
50	Magnetswitch (lid)	918562	1		
51	Washer M8	n/a	4		
52	Hexagon button cap screw M8x60	n/a	1		
53	Motor bracket	n/a	1		
54	Hexagon cap screw M6x15	n/a	4		
55	Hexagon button cap screw M6x95	nss	3	Available as 936580	
57	Key 5x10mm	n/a	1		
58	Cover bearing	943243	1		

59	Oil seal (40x28x7mm)	943250	1		
60	Bearing (6204RZ)	943267	1		
61	Bushing	n/a	1		
62	Flat countersunk screw M4x30	n/a	3		
63	Nut M8	n/a	2		
64	Bearing (6203RZ)	940686	1		
65	Hexagon cap screw M8x25	n/a	2		
66	Belt pulley (small)	936627	1	Also available in 936580	
67	Belt (3F4632)	936634	1		
68	Belt pulley (large)	936641	1		
69	Flange nut M14	943274	1		
70	Relay	941935	1		
71	Bracket relay	n/a	1		
72	Flat countersunk screw M5x6	n/a	2		
73	Bracket PCB	n/a	1		
74A	PCB Gen 3	941928	1	Until batch HK068121-000158 only	
74B	PCB Gen 4	961278	1	From batch HK068121-000159 only	
*	PCB capacitor	961285	1	From batch HK068121-000159 only	
76	Clamp	n/a	1		
77	Capacitor	931196	1		
78	Bottom cover	n/a	1		
79	Foot	936689	1		

n/a -> not available

nss -> not sold separately

Circuit diagram

 <h1 style="margin: 0;">HENDI</h1> <p style="font-size: small; color: green; margin: 0;">Tools for Chefs</p> <p>Hendi B.V. Steenoven 21 3911 TX Rhenen The Netherlands</p>	Batch #	Appliance part#
	170017 and up	231852
	Description	
	Vegetable cutter heavy duty	

Date	14-10-2021	Revision #	1.1
Revision	Format updated Added new PCB and capacitor.		

