

Drawing



HENDI

Tools for Chefs

Hendi B.V.

Steenoven 21
3911 TX Rhenen
The Netherlands

Batch #

301216 and up

Appliance part#

261163

Description

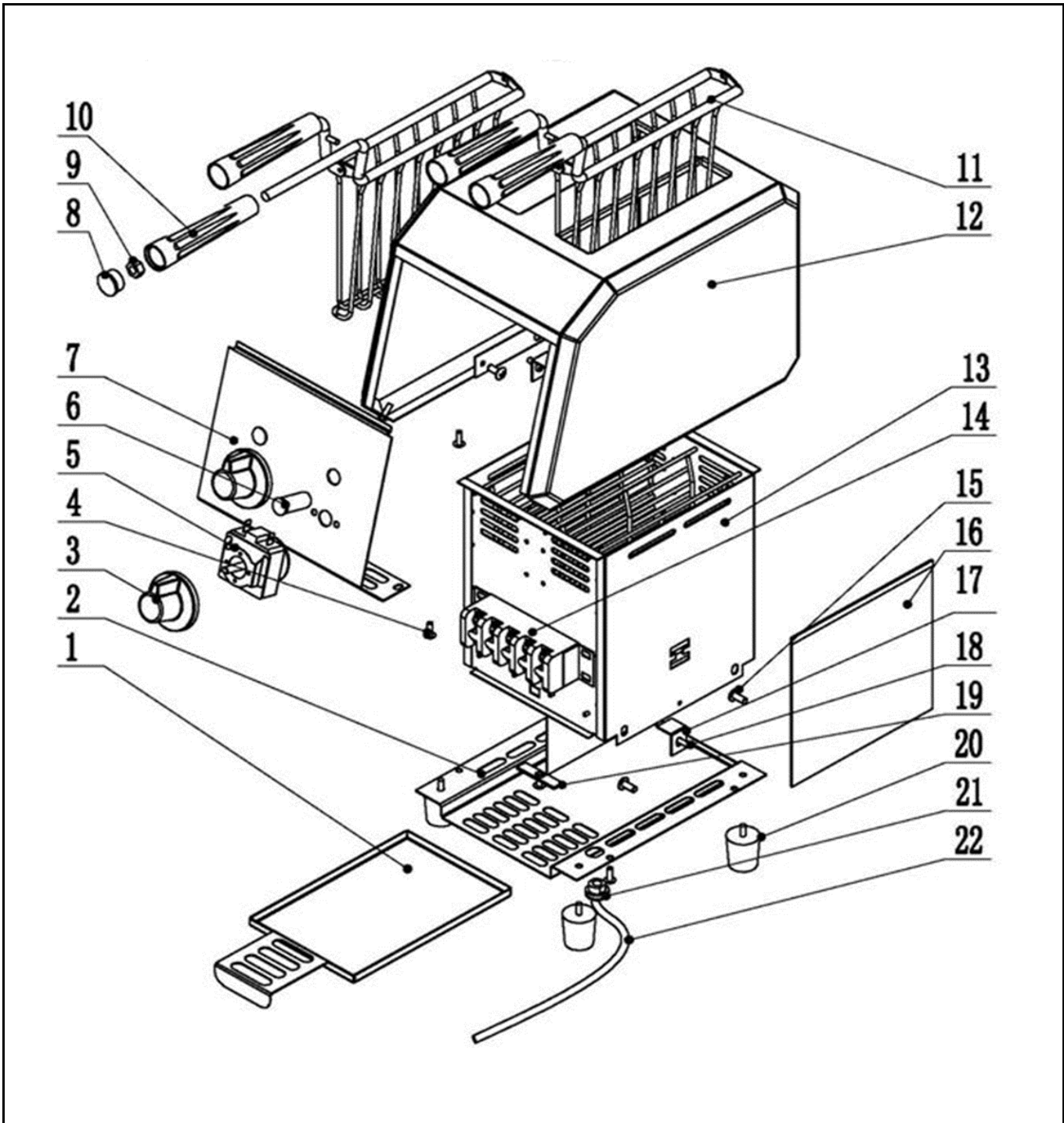
Toaster

Date 02-12-2021


Revision #

1.1

Revision New timer (8 minutes)



Bill of materials (BOM)

 <b style="font-size: 24px; margin-left: 10px;">HENDI <small style="color: green; margin-left: 10px;">Tools for Chefs</small> Hendi B.V. Steenoven 21 3911 TX Rhenen The Netherlands	Batch #	Appliance part#
	301216 and up	261163
	Description	
	Toaster	


Date	02-12-2021	Revision #	1.1
Revision	New timer (8 minutes)		

Item	Description	Part#	Quantity	Remark	Picture
1	Crumb tray	921517	1		
2	Bottom plate	n/a	1		
3	Knob timer	921562	2		
4	Screw	n/a	4		
5b	Timer 8 minutes	930793	2		
6	Indicator light	921548	2		
7	Front panel	n/a	1		
8	Cap Handle	nss	4	Available as 921500 or 921579	
9	Nut	nss	4	Available as 921500 or 921579	
10	Knob handle	921579	4	Available as 921500	
11	Plier	921500	2		
12	Housing	n/a	1		
13	Inner housing	n/a	1		
14	Terminal	n/a	1		
15	Screw	n/a	6		
16	Element	921531	4	Sold per 2 pcs.	
17	Plate	n/a	4		
18	Screw	n/a	8		
19	Holder element	n/a	4		
20	Foot	921524	4		
21	Cord inlet / retention	n/a	1		
22	Power cord	930045	1		

n/a -> not available

nss -> not sold separately

Circuit diagram

 HENDI Tools for Chefs Hendi B.V. Steenoven 21 3911 TX Rhenen The Netherlands	Batch #	Appliance part#
	301216 and up	261163
	Description	
	Toaster	

Date	02-12-2021	Revision #	1.1
Revision	New timer (8 minutes)		

