
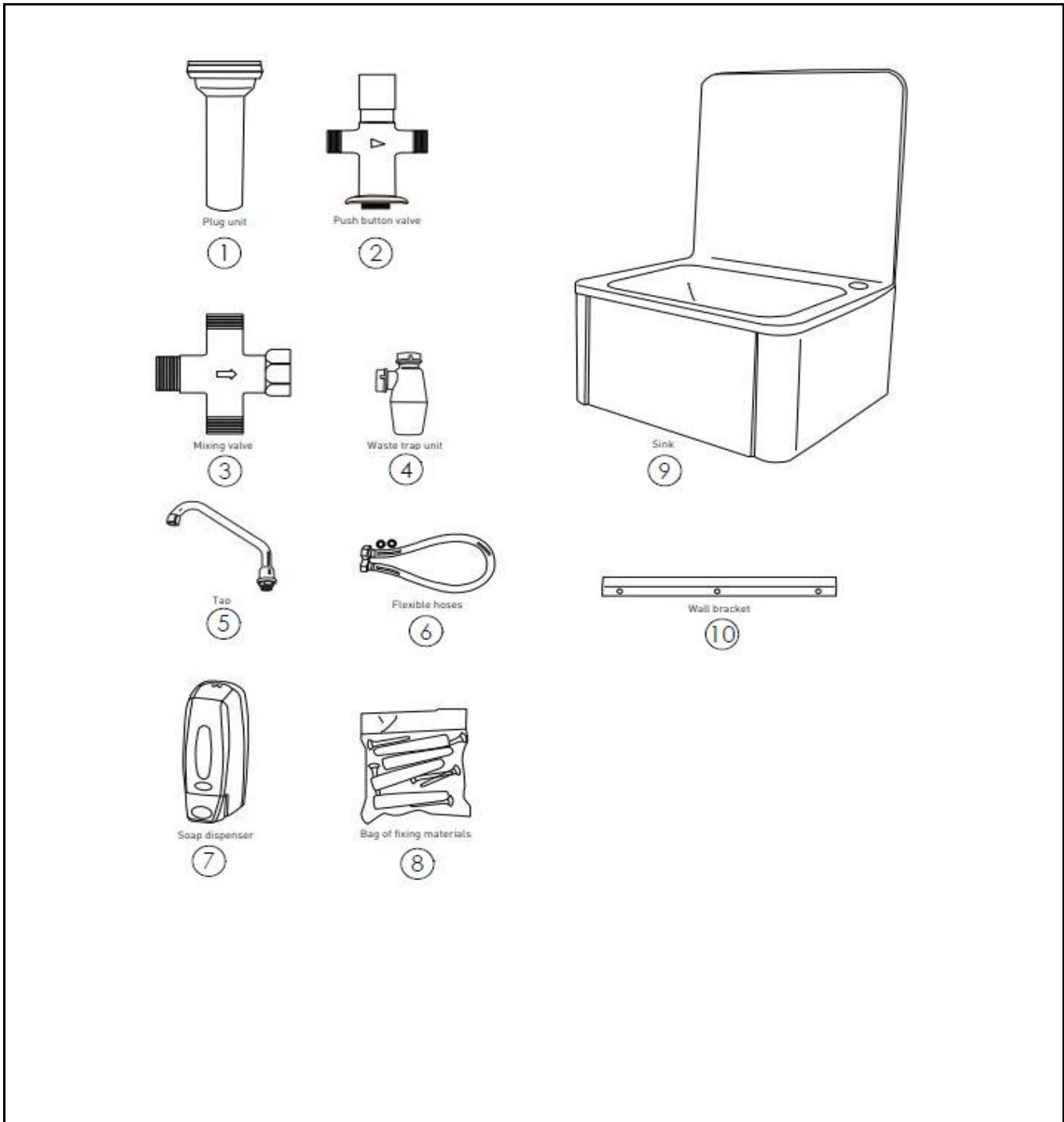



Drawing

 Hendi B.V. Steenoven 21 3911 TX Rhenen The Netherlands	Batch #	Appliance part#
	000000 and up	810309
	Description	
	Kitchen Sink	

Date	26-06-2018	Revision #	1.0
Revision	First Bill of Materials (BOM)		



Bill of materials (BOM)

 HENDI FOOD SERVICE EQUIPMENT Hendi B.V. Steenoven 21 3911 TX Rhenen The Netherlands	Batch #	Appliance part#
	000000 and up	810309
	Description	
	Kitchen Sink	

Date	26-06-2018	Revision #	1.0
Revision	First Bill of Materials (BOM)		

Item	Description	Part#	Quantity	Remark	Picture
1	Drain Plug	nss	1		
2	Push Button Valve	945445	1		
3	Mixer Valve	945452	1		
4	Drainage Set Complete	945469	1	Incl. Item 1	
5	Faucet	945476	1		
6	Flexible Hose	945483	2		
7	Soap Dispencer	945490	1		
8	Screw with plug	n/a	4	Obtain Locally	
9	Sink	n/a	1		
10	Wall Mount	n/a	1		

n/a -> not available

nss -> not sold separately