

Drawing



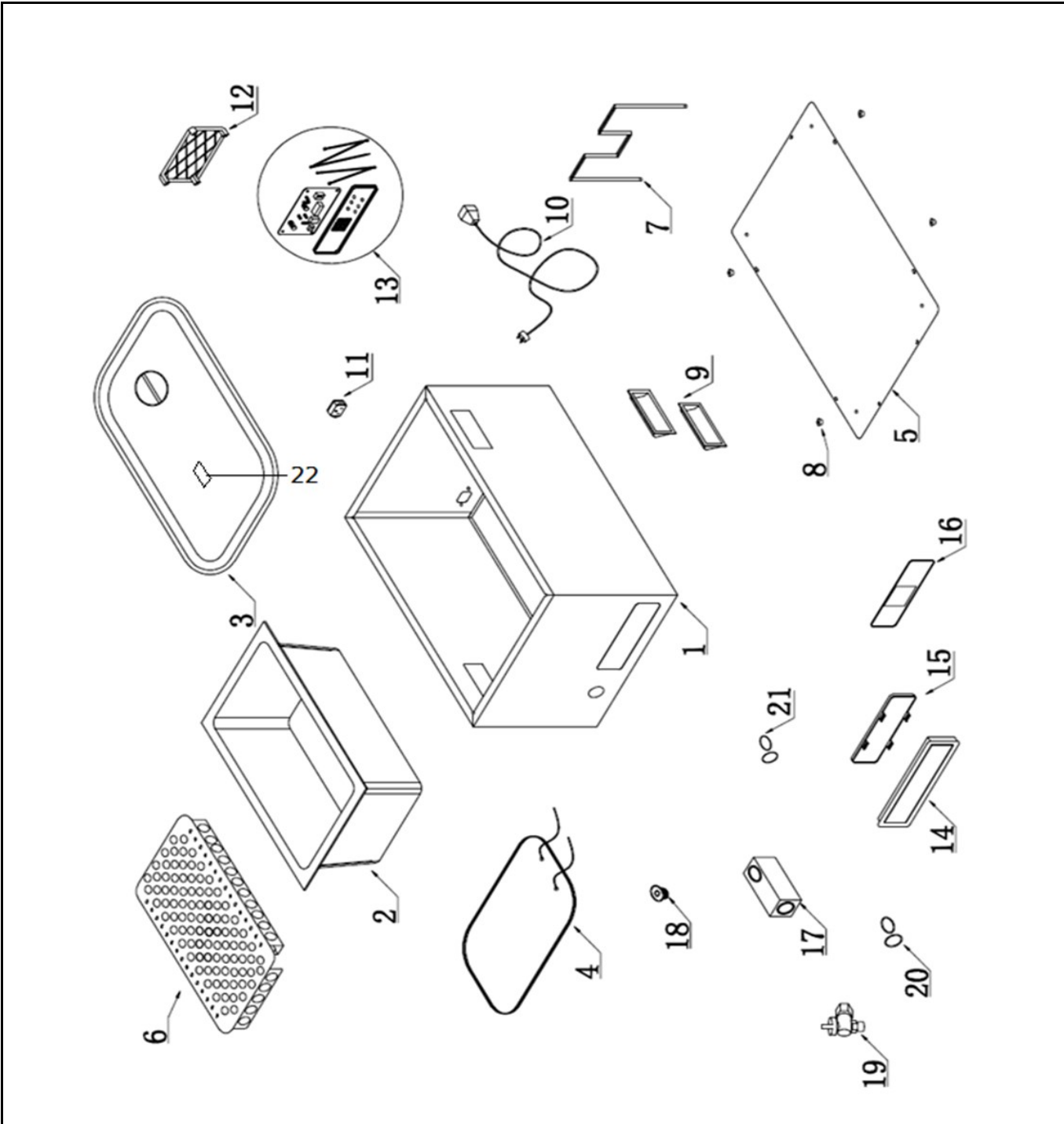
Tools for Chefs

Hendi B.V.
 Steenoven 21
 3911 TX Rhenen
 The Netherlands


Batch #	Appliance part#
HK170378 and up	225448

Description
Sous-vide sytem GN1/1

Date	24-11-2022	Revision #	1.2
Revision	New model, new main/display PCB		



Bill of materials (BOM)

 HENDI <small>Tools for Chefs</small> Hendi B.V. Steenoven 21 3911 TX Rhenen The Netherlands	Batch #	Appliance part#
	HK170378 and up	225448
	Description	
Sous-vide sytem GN1/1		

Date	24-11-2022	Revision #	1.2
Revision	New model, new main/display PCB		

Item	Description	Part#	Quantity	Remark	Picture
1	Housing	n/a	1		
2	Bin incl. element	n/a	1		
3	Lid GN1/1 with silicone rim	807606	1		
4	Element	n/a	1		
5	Bottom cover	n/a	1		
6	Bottom grid plate	931011	1	Incl. 6 pcs bow grid 931059	
7	Bow grid	931059	4		
8	Feet	943649	4		
9	Handle	943618	2		
10	Power cord 3x1.0mm ² (C13) EU plug	943625	1		
11	Panel mount (C14) plug	943632	1		
12	Holder main pcb	943588	1		
13	Main/display pcb complete set	943595	1	Incl probe.	
14	Display box	n/a	1		
15	Cover display box	943601	1		
16	Glass display box	n/a	1		
17	Drainage pipe	933640	1		
18	Drainage	935385	1		
19	Faucet	251515	1		
20	O-ring	931042	1		
21	Sealing drainage	935361	1		
22	Silicone lid tab (drop shaped)	926727	1		

n/a -> not available

nss -> not sold separately

Circuit diagram



Tools for Chefs

Hendi B.V.

Steenoven 21
3911 TX Rhenen
The Netherlands

Batch #

HK170378 and
up

Appliance part#

225448

Description

Sous-vide sytem GN1/1

Date 24-11-2022

Revision #

1.2

Revision

New model, new main/display PCB

