

Drawing

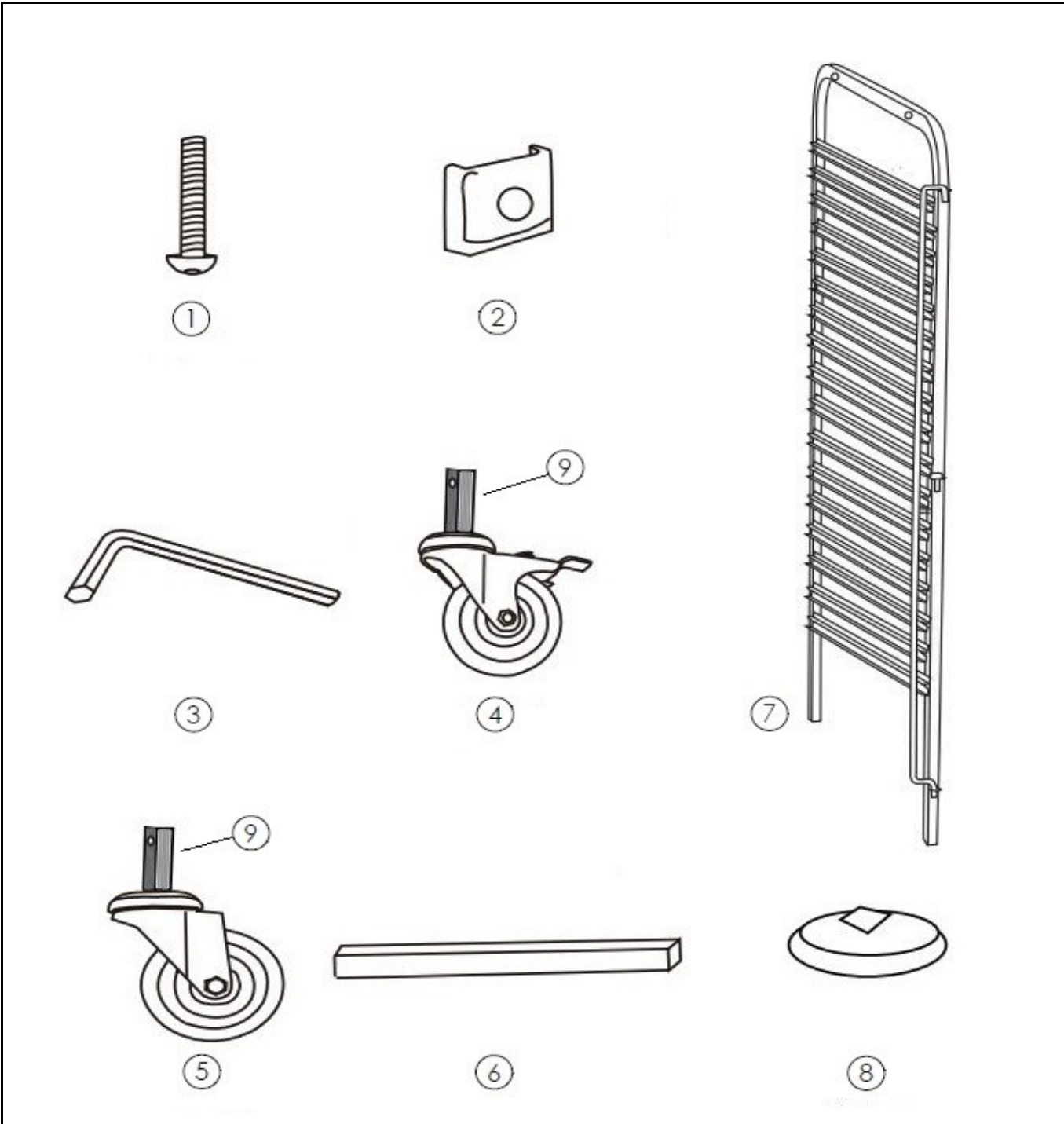


Hendi B.V.  
Steenoven 21  
3911 TX Rhenen  
The Netherlands


Batch #	Appliance part#
662362 and up	810613

Description
Clearing Trolley 15 X GN 1/1

Date	28-04-2020	Revision #	1.1
Revision	New wheels with plastic inserts		



### Bill of materials (BOM)

 <b style="font-size: 24pt; margin-left: 10px;">HENDI</b> <small style="color: green; margin-left: 10px;">Tools for Chefs</small> <b>Hendi B.V.</b> Steenoven 21 3911 TX Rhenen The Netherlands	<b>Batch #</b>	<b>Appliance part#</b>
	662362 and up	<b>810613</b>
	<b>Description</b>	
<b>Clearing Trolley 15 X GN 1/1</b>		

<b>Date</b>	28-04-2020	<b>Revision #</b>	1.1
<b>Revision</b>	New wheels with plastic inserts		

Item	Description	Part#	Quantity	Remark	Picture
1	Socket Screw	nss	8		
2	Mounting Plate	nss	16		
3	Hexagonal Wrench	n/a	1		
4	Wheel (with brake)	933176	2		
5	Wheel (without brake)	933183	2		
6	Coupling Piece s/s (set of 4)	810620	1		
7	Frame	n/a	2		
8	Bumper	810644	4		
9	Plastic Insert for Wheel (set of 4)	921050	1		
*	Assembly kit	812426	1	Incl. item 1 and 2	

n/a -> not available

nss -> not sold separately