

Drawing



Tools for Chefs

Hendi B.V.
Steenoven 21
3911 TX Rhenen
The Netherlands

Batch #

000000 and up

Appliance part#

810651

Description

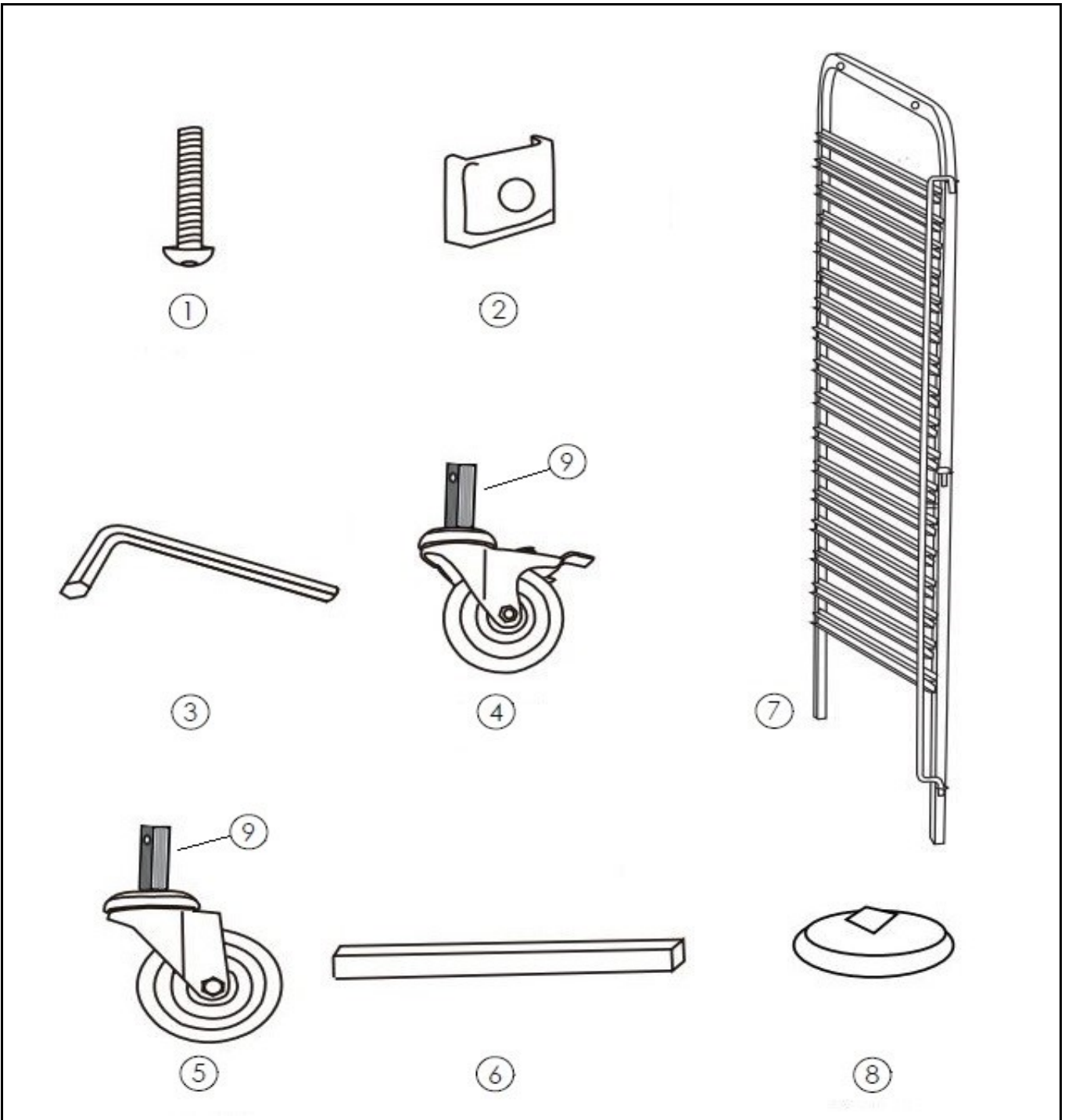
Clearing Trolley 15 - 600X400mm

Date 28-04-2020


Revision #

1.0

Revision First Bill of Materials (BOM)



Bill of materials (BOM)

 <b style="font-size: 24px; margin-left: 10px;">HENDI <small style="color: green; margin-left: 10px;">Tools for Chefs</small> Hendi B.V. Steenoven 21 3911 TX Rhenen The Netherlands	Batch #	Appliance part#
	000000 and up	810651
	Description	
Clearing Trolley 15 - 600X400mm		

Date	28-04-2020	Revision #	1.0
Revision	First Bill of Materials (BOM)		

Item	Description	Part#	Quantity	Remark	Picture
1	Socket Screw	nss	8		
2	Mounting Plate	nss	16		
3	Hexagonal Wrench	nss	1		
4	Wheel (with brake)	933176	2		
5	Wheel (without brake)	933183	2		
6	Coupling Piece s/s (set of 4)	921005	1		
7	Frame	n/a	2		
8	Bumper	810644	4		
9	Plastic Insert for Wheel (set of 4)	921050	1		
*	Assembly kit	812426	1	Incl. item 1 and 2	

n/a -> not available

nss -> not sold separately