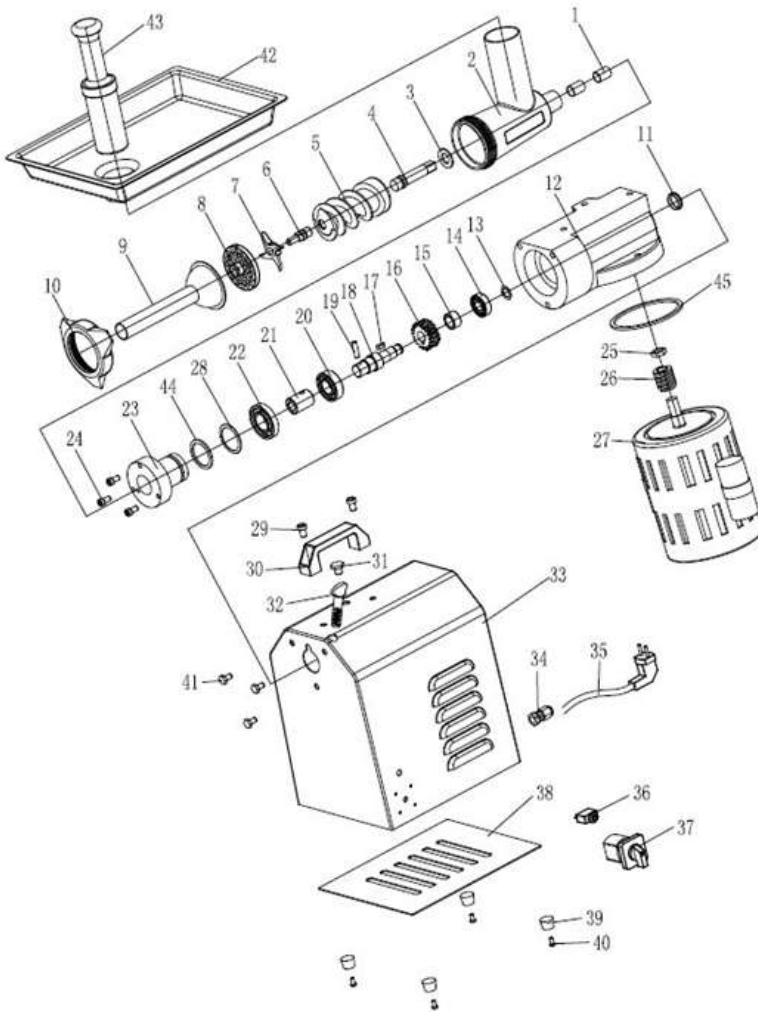


## TC8/TC12/TC22



No.	Item no.	Name	quantity
1	80200701	Copper bush	2
2	80200702	Grinder Head	1
3	80200703	Nylon washer	1
4	80200704	Bearing	1
5	80200705	Propeller	1
6	80200706	Shaft pin of Propeller	1
7	80200707	Cutting Knife	1
8	80200708	Pressure plate(mesh plate)	1
9	80200709	Funnel	1
10	802007010	Trefoil Nut (locking nut)	1
11	802007011	Oil sealing cover	1
12	802007012	Driving box	1
13	802007013	Washer	1
14	802007014	Bearing	1
15	802007015	Bush	2
16	802007016	Worm gear	1
17	802007017	Flat key	1
18	802007018	Worm axle	1
19	802007019	Elastic pin	1
20	802007020	Bearing	1
21	802007021	Square hole bush	1
22	802007022	Framework oil sealing	1
23	802007023	Link sleeve	1
24	802007024	inner hexangular bolt	3
25	802007025	Nut	1
26	802007026	Worm bush	1
27	802007027	Motor	1
28	802007028	Washer	1
29	802007029	Inner hexangular Bolt	2
30	802007030	Handle	1
31	802007031	Oil sealing bolt	1
32	802007032	Locking bolt	1
33	802007033	Shell	1
34	802007034	Cable bush	1
35	802007035	Plug	1
36	802007036	Overload protection switch	1
37	802007037	Forward and reverse switch	1
38	802007038	Board	1
39	802007039	Rubber feet	4
40	802007040	Bolt	4
41	802007041	Bolt	3
42	802007042	Stuff tray	1
43	802007043	Pusher	1
44	802007044	seal	1
45	802007045	Washer	1
46	802007046		1